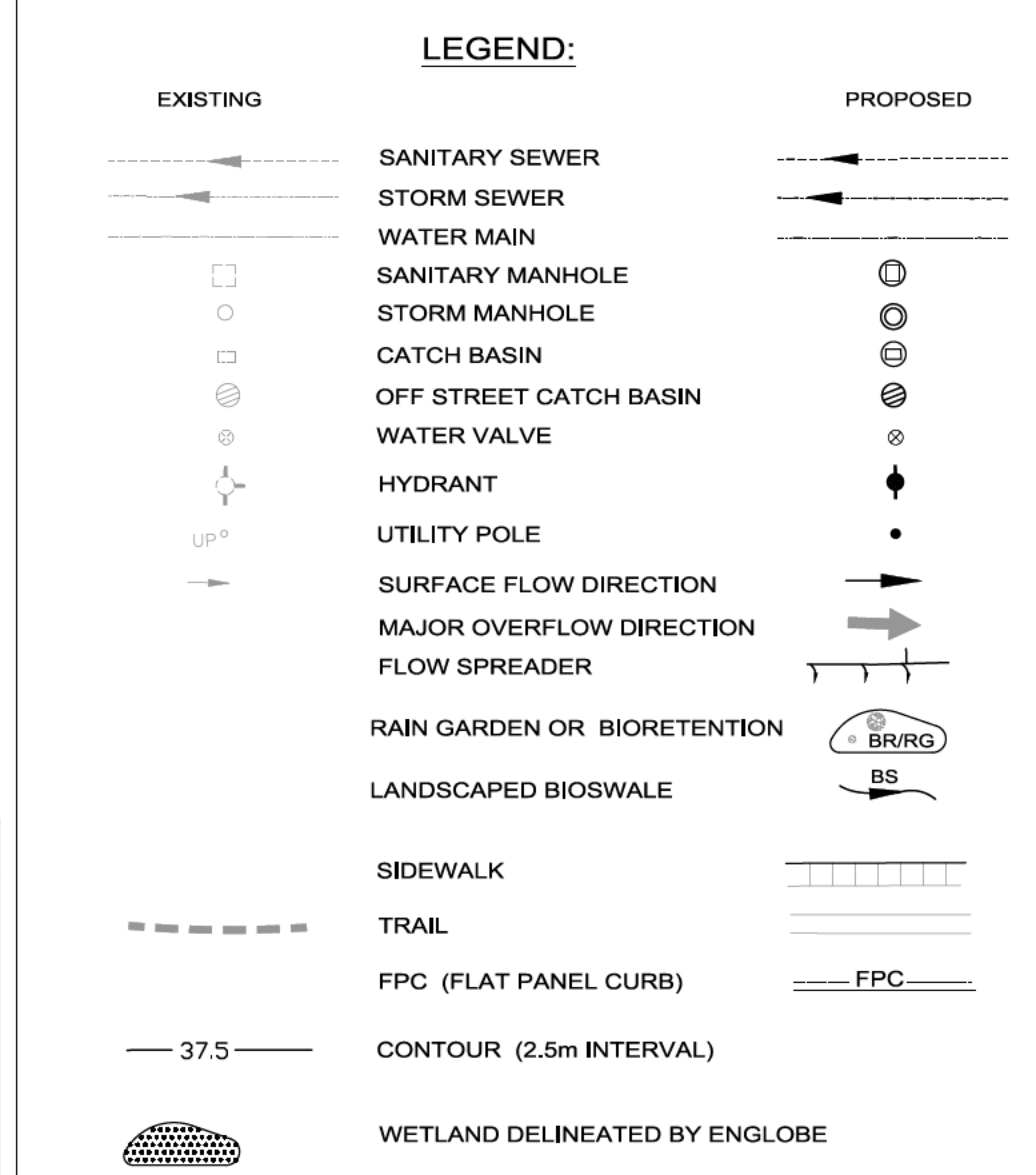


- POST-DEVELOPMENT STORMWATER**
- ON-SITE DETENTION STORAGE (COMBINED VOLUME OF SURFACE PONDING AND UNDERGROUND PIPE STORAGE) SHALL BE DESIGNED TO CONTROL THE POST DEVELOPMENT STORM WATER FLOWS TO PRE-DEVELOPMENT CONDITIONS.
  - STORMWATER MANAGEMENT PLAN INDICATES THAT THE REQUIREMENTS OF ADMINISTRATIVE ORDER 2020-010-OP RESPECTING STORMWATER MANAGEMENT STANDARD FOR DEVELOPMENT ACTIVITIES HAD BEEN CONSIDERED IN ORDER TO MEET ITS REQUIREMENT.
  - PRIOR TO COMMENCE CONSTRUCTION, STORMWATER MANAGEMENT FACILITIES SHALL BE DESIGNED TO MEET THE REQUIREMENTS OF ADMINISTRATIVE ORDER 2020-010-OP, SPECIALLY TO THE RETENTION OF ON-SITE STORMWATER RUN-OFF GENERATED FROM THE FIRST 10mm DEPTH OF A RAIN FALL EVENT, AND REMOVAL OF 80% OF TOTAL SUSPENDED SOIL (TSS).



**RAINFALL**  
**INTENSITY - DURATION - FREQUENCY VALUES**

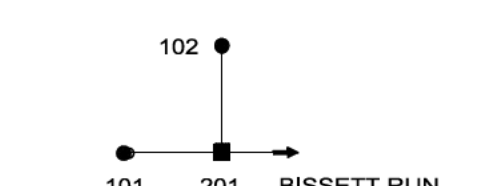
$I = AT^B$   
 $I =$  RAINFALL RATE (mm/hr)  
 $T =$  TIME (hrs)

	5 YR.	10 YR.	100 YR.
COEFF. A	25.2	29.0	40.8
EXPONENT B	-0.557	-0.557	-0.555

IDF VALUES PUBLISHED BY ENVIRONMENT CANADA FOR SHEARWATER AIRPORT WEATHER STATION BASE DATA FOR THE PERIOD 1955 - 1997.

NO.	DATE	REVISION	DESCRIPTION	APPRD
3	24 MAY 24		ISSUED FOR APPROVAL	
2	14 FEB. 24		ISSUED FOR APPROVAL	
1	22 APR. 23		ISSUED FOR APPROVAL	

**PRE-DEVELOPMENT CONDITION**



**OTTHYMO MODEL SCHEMATIC**

**OTTHYMO MODEL SUMMARY OF UNIT HYDROGRAPH PARAMETERS**

#	DRAINAGE AREA (Ha)	NASHYD			
		CN	IA (mm)	N	TP (HRS)
101	3.6	77	5.0	3	0.10
102	8.2	75	5.0	3	0.15

**PRE-DEVELOPMENT PEAK FLOW ESTIMATES**

REFERENCE POINT	PEAK FLOW (cms)		
	5 YR.	10 YR.	100 YR.
TO BISSETT RUN	0.42	0.67	1.11

**POST-DEVELOPMENT PEAK FLOW**

ON-SITE DETENTION STORAGE (COMBINED VOLUME OF SURFACE POND, ROOF POND AND/OR UNDERGROUND PIPE STORAGE) SHALL BE DESIGNED TO CONTROL THE POST DEVELOPMENT STORM WATER FLOWS TO PRE-DEVELOPMENT CONDITIONS.



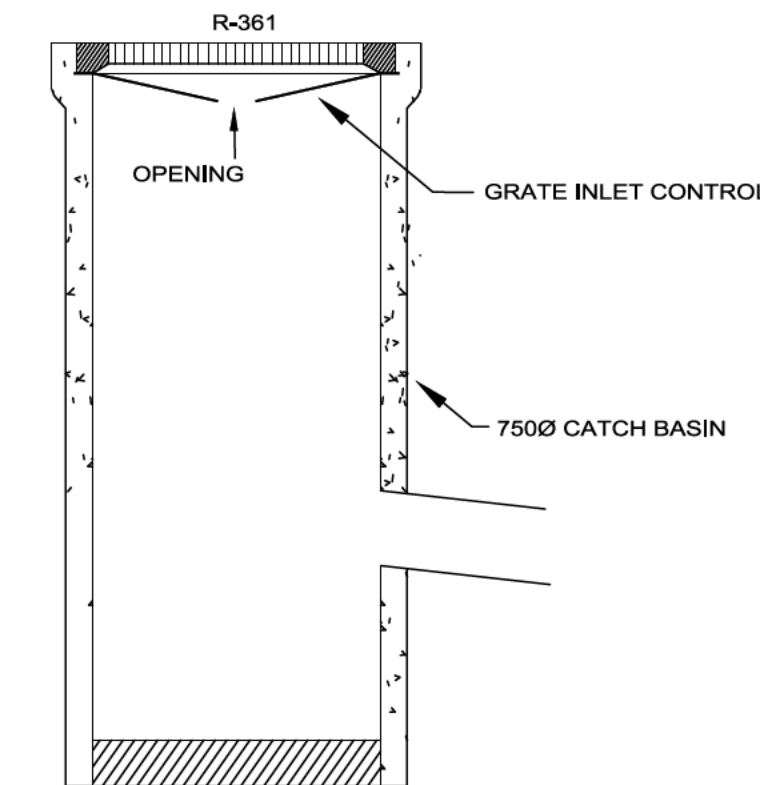
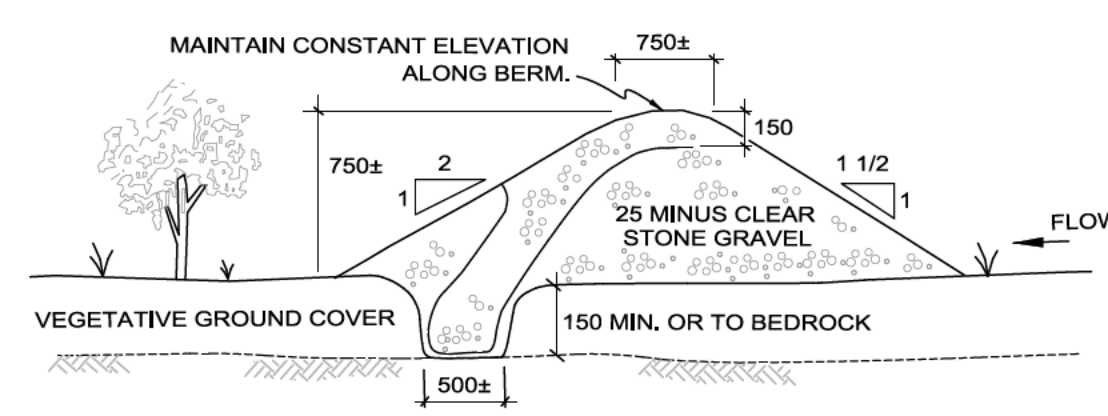
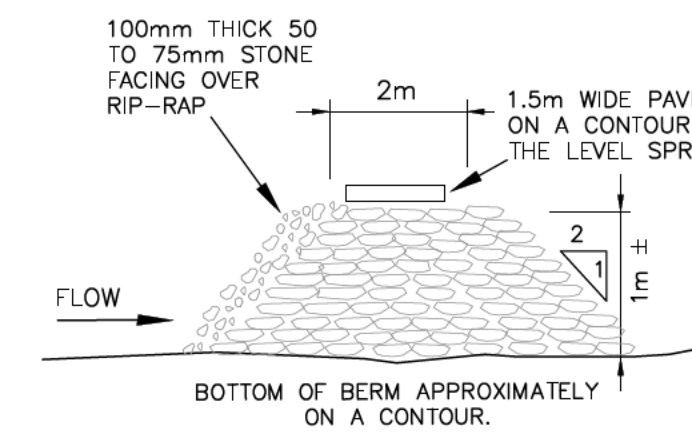
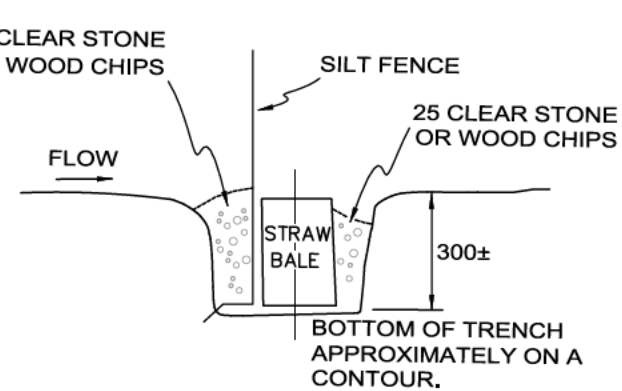
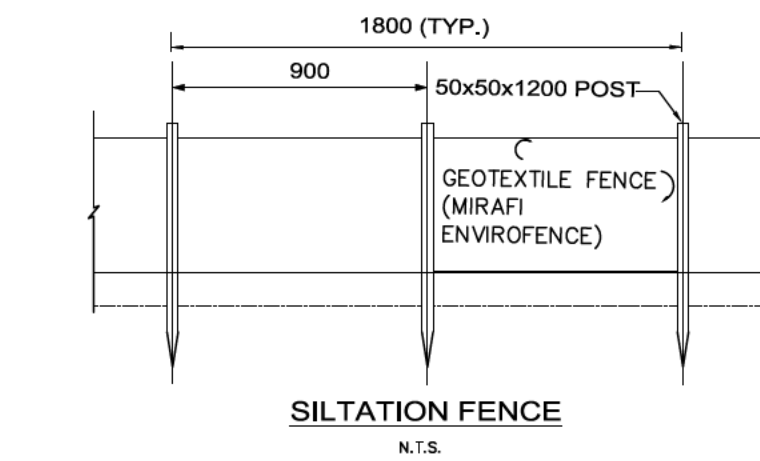
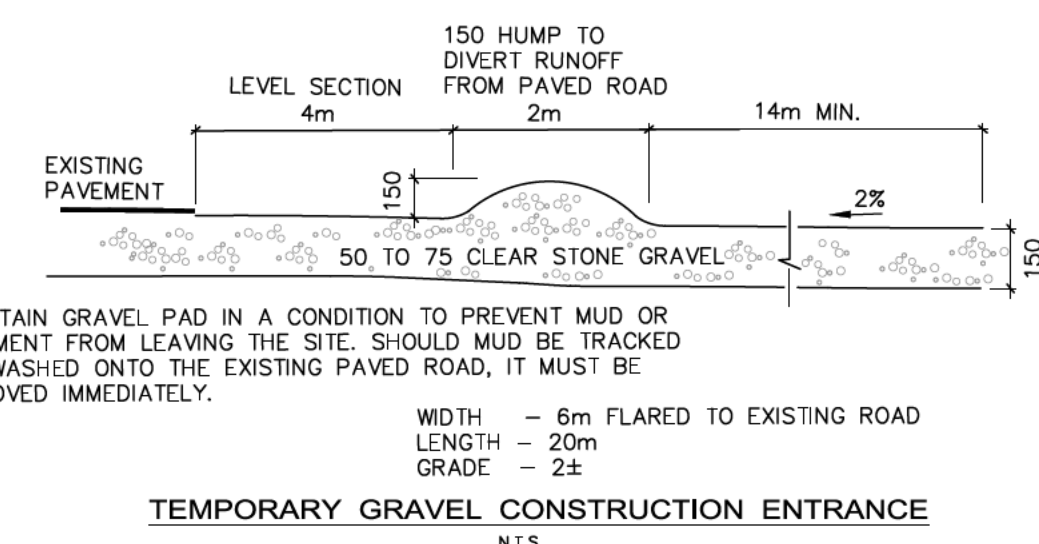
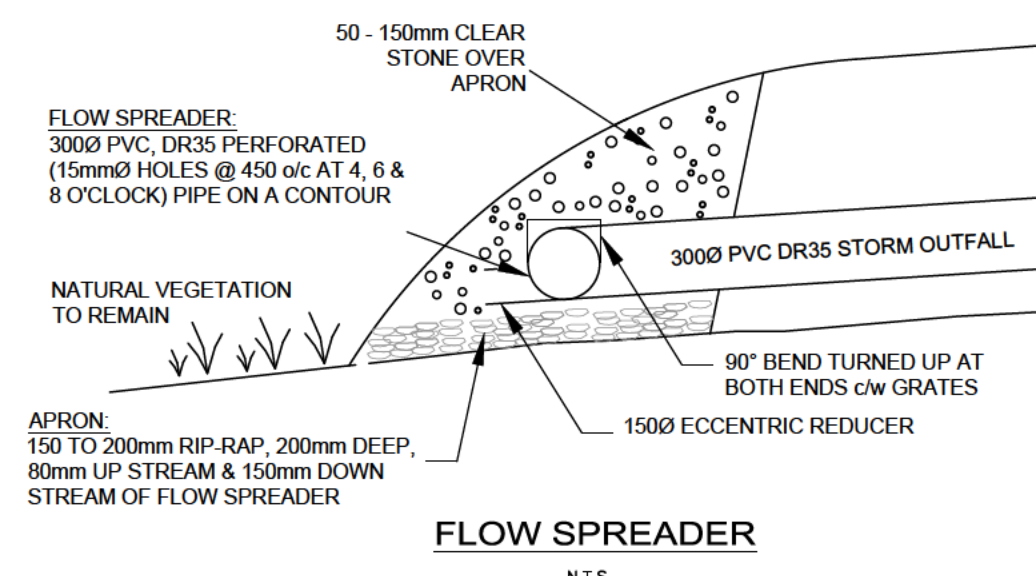
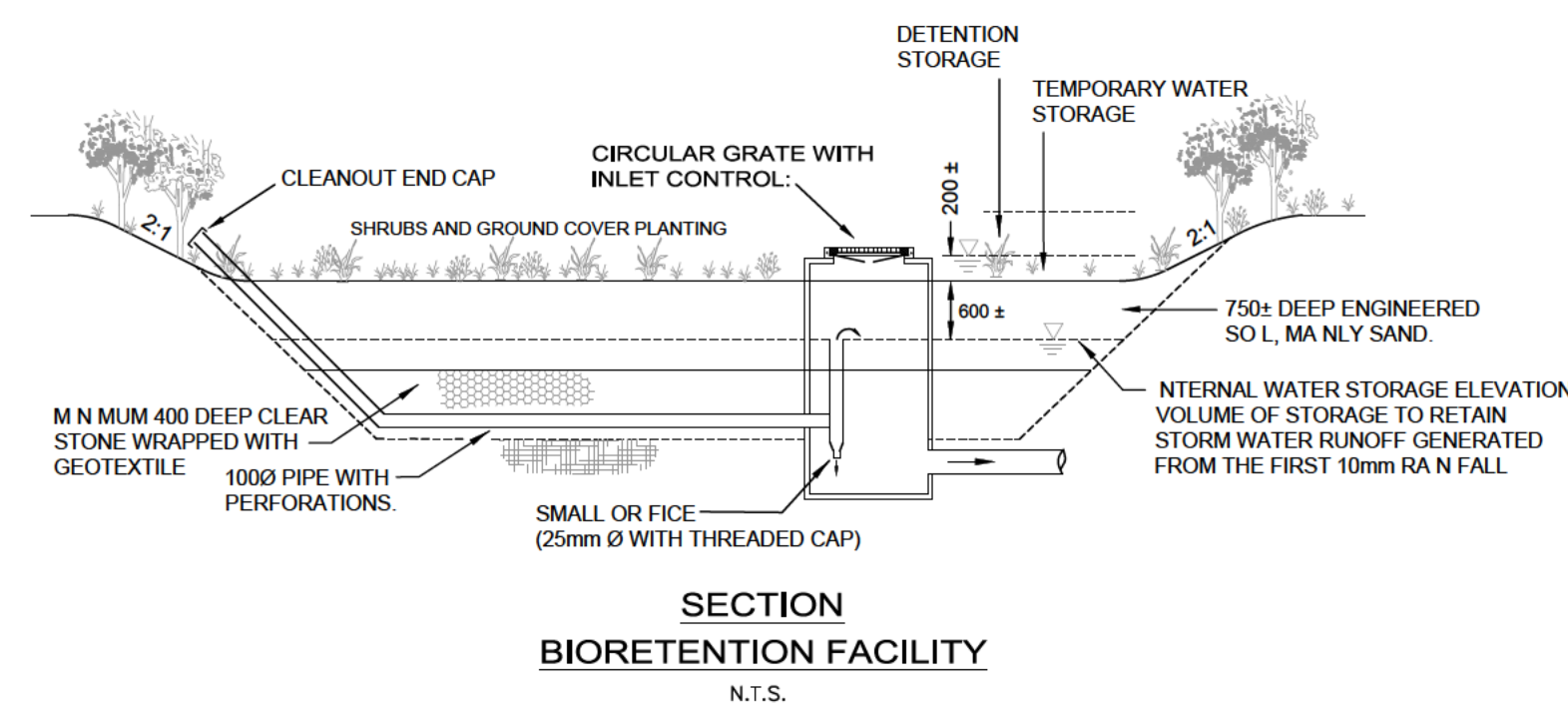
LANDS OF  
 GEM HEALTH CARE GROUP  
 PID 00403014  
 PID 00402768

**PRELIMINARY STORMWATER MANAGEMENT PLAN**

**1226 COLE HARBOUR ROAD**

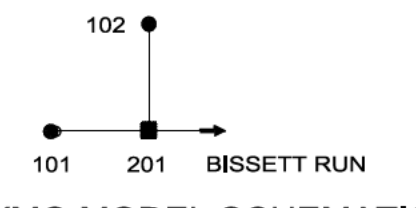
DRAWN		DATE		PLAN NO.	
MDM	SOORI	22 APRIL 2023		23-303-02	
ENGINEER		SCALE		SHEET	
MDM	SOORI	0 10 20 30			<b>2</b>





- ### EROSION & SEDIMENT CONTROL
- ALL EROSION AND SEDIMENT CONTROL MEASURES ARE TO BE CONSTRUCTED AND MAINTAINED TO PROTECT ALL NATURAL WATERCOURSE FROM DAMAGE DUE TO SILT LADEN RUN-OFF FROM CONSTRUCTION.
  - RECOMMENDED CONSTRUCTION AND MAINTENANCE PROCEDURES MAY BE OBTAINED FROM THE LATEST REVISION OF "EROSION AND SEDIMENTATION CONTROL HANDBOOK FOR CONSTRUCTION SITE", PREPARED BY THE NOVA SCOTIA DEPARTMENT OF THE ENVIRONMENT.
  - PERIODICALLY INSPECT AND CORRECT EROSION AND SEDIMENTATION CONTROL MEASURES TO ENSURE CONTINUED EFFECTIVENESS.
  - STABILIZE ALL DISTURBED AREAS TO PREVENT EROSION IMMEDIATELY AFTER COMPLETION OF WORK.
  - PROTECT ALL POINTS OF CONSTRUCTION SITE ENTRANCE AND EXIT TO PREVENT TRACKING OF MUD ONTO PUBLIC STREETS.
  - PRIOR TO COMMENCEMENT OF CONSTRUCTION INSTALL SILT CONTROL MEASURES SUCH AS SILT FENCE OR FILTER SPREADER OF GRAVEL FILTER.
  - CONSTRUCT STORM SEWER TO DIVERT FLOW FROM OFF SITE DRAINAGE AWAY FROM THE WORK AREA, PUMP THE FLOW, IF REQUIRED AROUND THE WORK SITE.
  - ANY SILT LADEN WATER PUMPED FROM THE TRENCH IS TO PASS THROUGH A FILTERING SYSTEM.

### PRE-DEVELOPMENT CONDITION



### OTTHYMO MODEL SUMMARY OF UNIT HYDROGRAPH PARAMETERS

#	DRAINAGE AREA (Ha)	NASHYD			
		CN	IA (mm)	N	TP (HRS)
101	3.6	77	5.0	3	0.10
102	8.2	75	5.0	3	0.15

### PRE-DEVELOPMENT PEAK FLOW ESTIMATES

REFERENCE POINT	PEAK FLOW (cms)		
	5 YR.	10 YR.	100 YR.
TO BISSETT RUN	0.42	0.67	1.11

### POST-DEVELOPMENT STORMWATER

- ON-SITE DETENTION STORAGE (COMBINED VOLUME OF SURFACE PONDING AND UNDERGROUND PIPE STORAGE) SHALL BE DESIGNED TO CONTROL THE POST DEVELOPMENT STORM WATER FLOWS TO PRE-DEVELOPMENT CONDITIONS.
- STORMWATER MANAGEMENT PLAN INDICATES THAT THE REQUIREMENTS OF ADMINISTRATIVE ORDER 2020-010-OP RESPECTING STORMWATER MANAGEMENT STANDARD FOR DEVELOPMENT ACTIVITIES HAD BEEN CONSIDERED IN ORDER TO MEET ITS REQUIREMENT.
- PRIOR TO COMMENCE CONSTRUCTION, STORMWATER MANAGEMENT FACILITIES SHALL BE DESIGNED TO MEET THE REQUIREMENTS OF ADMINISTRATIVE ORDER 2020-010-OP, SPECIALLY TO THE RETENTION OF ON-SITE STORMWATER RUN-OFF GENERATED FROM THE FIRST 10mm DEPTH OF A RAIN FALL EVENT, AND REMOVAL OF 80% OF TOTAL SUSPENDED SOIL (TSS).

NO.	DATE	REVISION DESCRIPTION	APPRD
3	31 MAY 24	ISSUED FOR APPROVAL	
2	14 FEB. 24	ISSUED FOR APPROVAL	
1	22 APR. 23	ISSUED FOR APPROVAL	



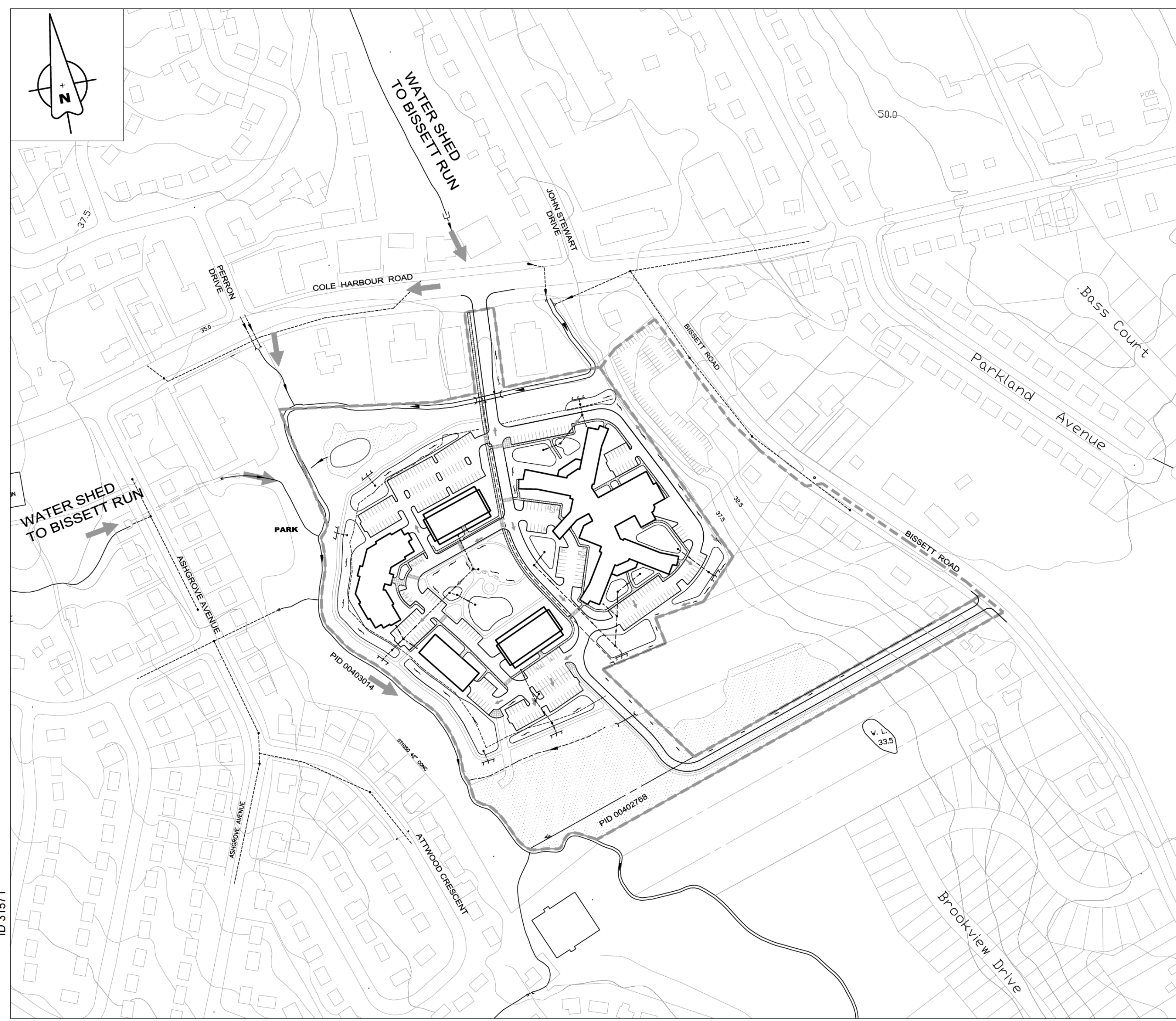
LANDS OF  
GEM HEALTH CARE GROUP  
PID 00403014  
PID 00402768

shoreham development inc

### PRELIMINARY STORMWATER MANAGEMENT DETAILS

#### 1226 COLE HARBOUR ROAD

DRAWN		DATE		PLAN NO.	
MDM	SOORI	22 APRIL 2023		23-303-03	
ENGINEER		SCALE		SHEET	
MDM	SOORI				3



### RAINFALL INTENSITY - DURATION - FREQUENCY VALUES

$$I = AT^B$$

I = RAINFALL RATE (mm/hr)  
T = TIME (hrs)

	5 YR.	10 YR.	100 YR.
COEFF. A	25.2	29.0	40.8
EXPONENT B	-0.557	-0.557	-0.555

IDF VALUES PUBLISHED BY ENVIRONMENT CANADA FOR SHEARWATER AIRPORT WEATHER STATION BASE DATA FOR THE PERIOD 1955 - 1997.

ID 31571