



P.O. Box 1749  
Halifax, Nova Scotia  
B3J 3A5 Canada

**Item No. 11.1.11**  
**Halifax Regional Council**  
**June 29, 2021**

**TO:** Mayor Savage and Members of Halifax Regional Council

**SUBMITTED BY:** Original Signed  
\_\_\_\_\_  
Jerry Blackwood, Acting Chief Administrative Officer

**DATE:** June 16, 2021

**SUBJECT:** **Municipal Design Guidelines (Red Book) Update**

---

#### **ORIGIN**

On August 13, 2019 Halifax Regional Council ratified the following from Committee of the Whole (Integrated Mobility Plan):

*That Halifax Regional Council: [...] 2. Draft amendments to the Regional Subdivision By-law to replace the Municipal Design Guidelines as described in the staff report dated August 6, 2019, and to return directly to Regional Council for consideration of the resulting amendments.*

#### **LEGISLATIVE AUTHORITY**

Outlined in Attachment A.

#### **RECOMMENDATION**

It is recommended that Halifax Regional Council:

1. Give first reading and schedule a public hearing to consider the proposed amendments to the *Regional Subdivision By-law* as set out in Attachment B of this report;
2. Adopt Administrative Order 2021-003-OP respecting Municipal Design Guidelines as set out in Attachment C of this report; and
3. Adopt the amendments to the Regional Subdivision By-law, including repealing and replacing the Municipal Design Guidelines, as set out in Attachment B of this report.

## **BACKGROUND**

The Municipal Design Guidelines (commonly referred to as the “Red Book”) were developed to provide uniform standards for the construction of infrastructure within the Halifax Regional Municipality. After amalgamation in 1996, four sets of municipal standards were combined to produce the first edition of the Guidelines in 2000. The Guidelines are enabled by the Provincial Subdivision Regulations, the *HRM Charter*, the Regional Subdivision By-law, and By-law S-300 Respecting Streets. Early editions of the Guidelines included provisions for wastewater and stormwater systems. Since the transfer of wastewater and stormwater assets to the Halifax Regional Water Commission in 2007, the provisions for wastewater and stormwater systems are contained in the Halifax Water Design Specifications

The Guidelines are currently referenced in the *Regional Subdivision By-law* (the By-law) and were last updated in 2013. On December 5, 2017, Regional Council unanimously approved The *Integrated Mobility Plan* (IMP), and as part of this, directed staff to update the Guidelines to incorporate best practices for transportation design elements.

The Municipal Design Guidelines in their current form were intended to apply to greenfield development. There are limited provisions for the Regional Centre, and the document is cumbersome and difficult to administer in a mature urban environment.

The objectives of replacing the Guidelines are to:

- provide more flexibility by requiring practitioners to understand the design philosophy and apply it contextually;
- be easily applicable to municipal infrastructure, whether associated with development or capital projects, in greenfield subdivisions, or construction in mature urban areas;
- recognize the priority of accessibility and connectivity needs for pedestrians, bicyclists, and transit;
- consider the road network from road safety, traffic calming, and sustainability perspectives; and
- reflect Regional Council direction, HRM policy targets, and changes in industry standards.

In August 2019, Council approved the recommendations of a project initiation report for updates to the Municipal Design Guidelines.

This report outlines the proposed amendments to the By-law, as well as the recommended adoption of an Administrative Order and the new Guidelines themselves.

## **DISCUSSION**

There are two objectives to this project:

- Amend the *Regional Subdivision By-law* to adopt new Guidelines that are in line with current best practices; and
- Establish a process for regular updates to the Guidelines.

### **Amending the Regional Subdivision By-law**

The *HRM Charter* enables Council to adopt requirements for the construction of streets as part of the Regional Subdivision By-law. These requirements are the Guidelines, which are referenced in the By-law. The By-law falls within the definition of a “planning document” as set out in the *HRM Charter*, and to amend a planning document, the *HRM Charter* requires Council to adopt and carry out a public participation program, complete first reading, and a public hearing before second reading and decision. In this case amending the Regional Subdivision By-law to change the method of adopting the Design Guidelines can be considered “housekeeping” in nature.

### Updating the Guidelines to current best practices

Since the adoption of the current Guidelines in 2013, design approaches and standards have developed ad hoc in several key areas. These new standards and approaches were developed out of necessity, in response to such pressures as the shift in development patterns towards the Regional Centre, adoption of the Integrated Mobility Plan, and climate change. Consequently, the new Guidelines will contain new or enhanced provisions relating to the following:

- Complete Streets design approach;
- Trees and support for green infrastructure in the right of way;
- Streetscaping standards in the Regional Centre;
- Streetlighting;
- A process for consideration of design exceptions<sup>1</sup> (also called “variances”); and
- Details for traffic calming measures, multi-use paths, pedestrian ramps, tactile walking surface indicators, protected bike lanes, and traffic signal bases.

This work was completed under the direction of a steering committee; a professional staff team responsible for reviewing existing guidelines and industry best practices (including National Association of City Transportation Officials (NACTO), the Transportation Association of Canada (TAC), Crime Prevention Through Environmental Design (CPTED), etc.). The committee made recommendations based on their shared expertise and in alignment with the most recently adopted versions of the Municipality’s various documents such as the Regional Municipal Planning Strategy (Regional Plan), Integrated Mobility Plan (IMP), Active Transportation Priorities Plan, Moving Forward Together Plan, Urban Forestry Master Plan, draft Centre Plan, and HalifACT plan, Joint Stormwater Standards, etc.

Key updates include:

- Narrower lane widths, with consideration for buses and transport, and refined street classifications. Narrower streets encourage slower vehicle speeds and make roads safer for all users, in alignment with Regional Council direction, approved policy, and industry best practice.
- Reduced maximum grades on roads and sidewalks. This aligns with other jurisdictions in Canada and is supported by provincial accessibility legislation. Reduced grades on streets also has benefits for transit, winter maintenance, and erosion prevention.
- Increased space for boulevards, sidewalks, and active transportation. This aligns right-of-way use with priorities and maintenance needs, while also providing community and environmental benefits.
- Updated streetscaping design guidance; providing clarity of standards and more robust design.
- Updated urban forestry design guidance, including guidance from the Urban Forest Master Plan.

### Establishing a Process for Regular Updates and Design Exceptions

The *HRM Charter* allows Council to amend the engineering specifications by administrative order (AO) rather than amending the Subdivision By-law. The Guidelines are technical in nature and intended to be a living document, able to adapt as best practices change, and as established projects in HRM can be monitored for success. To develop a predictable and collaborative process for an annual review, staff have introduced Administrative Order 2021-003-OP respecting Municipal Design Guidelines. Once the new Guidelines are adopted by Council, future updates to the engineering specifications can be made to the Guidelines by amending the Administrative Order. This process would allow for regular updates to the Guidelines to take place through a well-established, open, and transparent process by Regional Council.

---

<sup>1</sup> A design exception is a case where one or more of the design elements falls outside the stated parameters of the Guidelines. A design exception is an extraordinary situation that needs to be tailored to its context through sound engineering judgement.

Replacing the Guidelines will assist in the Municipality's efforts for Regulatory Modernization and Advancing Performance Excellence. Updates to the Guidelines and establishing a process for design exceptions will streamline the approval process, and aid in red tape reduction.

It is also important to note that guidelines developed pursuant to the *Integrated Mobility Plan* such as Complete Streets guidelines, and multi-modal level of service guidelines are actively being applied to municipal projects.

#### Regulatory and Business Impact

The costs and benefits of the proposed By-law have been considered through a regulatory impact assessment (RIA) and the Charter of Governing Principles for Regulation AO was used as a decision-making "lens" when assessing this policy change. The findings show that the proposed AO and updates to the Guidelines is the best approach to improve customer service by clarifying requirements, allowing for flexibility in design, and minimizing change requests during the review process, and will not add unnecessary red-tape to those being regulated or to the Municipality.

For clarity, development applications, including subdivisions and building permits, which have been deemed complete prior to the Guidelines coming into effect will be permitted to submit engineering designs following the 2013 Municipal Design Guidelines.

Business Impact Assessment (BIA), otherwise known as a standard cost model is a common tool used by many governments in advanced economies to calculate potential/actual costs to firms from regulatory oversight/implementation by governments.

Finance staff have applied a BIA analysis to the proposed regulation changes in this report and have found little evidence to suggest major impacts to firms or the business community stemming from the above-mentioned policy updates. As seen in the above discussion, the updates are designed to promote flexibility and innovation in infrastructure provision. Estimates suggest low labour cost impacts stemming from firms having to familiarize themselves with the revised guidelines. At the margin, these costs would incur \$3,000 of lost labour hours to compliance and understanding for a given development firm.

Finance staff estimate small compliance costs stemming from this policy update.

#### Items for Future Updates

The following items will be the focus of future phases of updates to the Guidelines:

- Full review of Street Classifications;
- Traffic Signal guidelines;
- Retaining walls, signs, bridges, and bus stops;
- Review of existing Part B details;
- Utilities and trench reinstatement guidelines; and,
- Consultation with other internal departments for continual improvements.

#### **FINANCIAL IMPLICATIONS**

Changes to infrastructure standards are placing greater pressure on infrastructure and capital budget costs. This report formalizes changes that HRM has already started to follow or has incorporated into its practices. While incremental costs or savings are already accounted for in current approved budgets there is additional long-term pressure on the capital budget.

The HRM costs associated with the implementing the recommendations can be accommodated within the approved 2021/2022 operating budget and with existing resources.

## **RISK CONSIDERATION**

There are no significant risks associated with the recommendations in this Report. The risks considered rate low.

## **COMMUNITY ENGAGEMENT**

Community engagement was carried out as per the public participation program provided in the August 2019 staff report. An on-line survey was conducted using the HRM “Shape Your City” website to engage the general public on the changes to the Guidelines and the amendments to the Regional Subdivision By-Law. The survey ran from August 17 to October 30, 2020 and had 144 visitors. Participants responded positively regarding updates to the Guidelines to reflect Complete Streets principles.

Internal stakeholder (staff) consultation was conducted throughout the project, primarily through the steering committee and relevant technical staff. The draft Guidelines were also circulated through multiple departments for open feedback.

To engage external stakeholders, the draft Guidelines document was distributed to the following groups, identified through the project charter:

- Consulting Engineers of Nova Scotia
- Development Liaison Group
- Urban Development Institute
- Construction Association of Nova Scotia
- Nova Scotia Road Builders Association
- Halifax Utilities Coordinating Committee (includes representatives from Halifax Water, Heritage Gas, Nova Scotia Power, Eastlink, etc.)
- Halifax Accessibility Advisory Committee
- Halifax Active Transportation Advisory Committee
- Canadian National Institute for the Blind
- Halifax Harbour Bridges
- Nova Scotia Transportation and Active Transit
- Nova Scotia Accessibility Directorate
- Atlantic Landscape Architects
- Licensed Professional Planners’ Association of Nova Scotia
- Walk & Roll Halifax
- Halifax School Board
- Engineers Nova Scotia
- Nova Scotia Land Surveyors
- Halifax Trails Association
- Halifax Cycling Coalition

Meetings and presentations were then held with the various stakeholders above as requested throughout winter / spring 2021.

Feedback from community advocates tended to be positive, acknowledging the improvements over the 2013 Guidelines, but noting there is more work to be achieved. Specific discussion with advocacy groups tended to focus on accessibility of streets for all users. There was an overwhelmingly positive response to regular updates, to allow improvements to continue.

Feedback from the development community varied. In general, the concept of allowing more flexibility to design was welcomed, but there was concern about the ability for staff to provide consistent feedback. The development community was also concerned with the restrictions to street grades, which provide for more

accessible communities but could result in more variance requests. To mitigate these concerns, the Guidelines allows for steeper grades in exceptional circumstances to be approved by delegates of the Municipal Engineer. An example of an exceptional circumstance is a new street for an infill development, where the elevations of the surrounding connections are set, requiring a road grade over 8%. In this case, additional consideration for accessible pedestrian routes would be required.

If Council wishes to adopt the amendments to the Regional Subdivision By-law, a public hearing is required.

### **ENVIRONMENTAL IMPLICATIONS**

Updating the Guidelines to include changes to Urban Forestry standards will enable the provision of a multitude of environmental benefits including decreased air pollution, enhanced green space, heat mitigation, improved quality of stormwater runoff, etc.

Updating the Guidelines to include the IMP foundational policies such as Complete Streets and others, will encourage active transportation and travel using transit, thereby reducing emissions from single occupant vehicles.

### **ALTERNATIVES**

Regional Council may choose to not adopt the recommendations described in this report. This would result in delays to updating the Municipal Design Guidelines, delays to industry and development approval timelines that arise from lack of clarity of infrastructure standards and would be contradictory to the August 13, 2019 Council motion.

### **ATTACHMENTS**

Attachment A Legislative Authority  
Attachment B Amendments to the Regional Subdivision By-law  
Attachment C Administrative Order 2021-003-OP Respecting Amendments to Municipal Design Guidelines  
Attachment D Municipal Design Guidelines

---

A copy of this report can be obtained online at [halifax.ca](http://halifax.ca) or by contacting the Office of the Municipal Clerk at 902.490.4210.

Report Prepared by: Shannon O'Connell, Program Engineer, Infrastructure Policy & Standards, Infrastructure Planning, Planning & Development, 902.476.2917

---

**LEGISLATIVE AUTHORITY**

*Provincial Subdivision Regulations*, Part B “Public Streets”, subsection 13 (1), as follows:

13 (1) All proposed municipal public streets shall be approved by the engineer.

And,

*Halifax Regional Municipality Charter*, (HRM Charter), Part IX “Subdivision”, clauses 226(1)(a), and 281(3)(f), as follows:

226 (1) The Council may, by policy, adopt amendments to  
(a) the engineering specifications in a subdivision by-law;

281 (3) A subdivision by-law may include  
(f) requirements for the design and construction of streets, private roads, wastewater facilities, stormwater systems, water systems and other services;

And,

*Halifax Regional Municipality Charter*, (HRM Charter), Part XII “Streets and Highways”, clause 322(1), as follows:

Street related powers

322 (1) The Council may design, lay out, open, expand, construct, maintain, improve, alter, repair, light, water, clean, and clear streets in the Municipality.

And,

*Halifax Regional Municipality By-law Number S – 300, By-law Respecting Streets*, Part IV – Streets & Services Permit, clause 23, as follows:

23. (1) No person shall:

(a) make any excavation in a street;

(b) install or repair any facility on a street

(c) make use of the street, or any portion thereof, for any activity other than as a right of way or a use already regulated under this or any other by-law of the Halifax Regional Municipality,

without first obtaining a Street and Services Permit from the Engineer.

## ATTACHMENT B

### Proposed Amendment to the Regional Subdivision By-law

**BE IT ENACTED** by the Regional Council of the Halifax Regional Municipality that the *Regional Subdivision By-law* is hereby amended as follows:

1. Amend Section 3A by deleting the text in ~~strikeout~~ and adding the text in bold below:  

3A     **(1)**     The Municipal Engineering Regulations 2013 are hereby ~~adopted and ratified~~  
**by the Council repealed.**

**(2)**     **The Municipal Design Guidelines 2021 are hereby adopted by the Council**  
**and may be amended from time to time.**
2. The Municipal Design Guidelines 2021 adopted herein are attached to the staff report dated June 16, 2021 as Attachments D-1, D-2, and D-3 and shall form part of this amending By-law.
3. Amend Section 23 by deleting the text in ~~strikeout~~ and adding the text in bold below:  

23     The design of all public streets or highways in a subdivision shall be approved by the Engineer and shall be designated as one of the ~~following classes of streets:~~  
**classifications as defined in the Municipal Design Guidelines.**

~~(a) local street~~  
          ~~(b) local industrial street~~  
          ~~(c) minor collector street~~  
          ~~(d) major collector street~~  
          ~~(e) arterial street~~
4. Amend Section 24 by deleting the text in ~~strikeout~~ and adding the text in bold below:  

24     The characteristics of the street classification shall be as defined in the Municipal ~~Engineering Regulations~~ **Design Guidelines.**
5. Amend Section 117 by deleting the text in ~~strikeout~~ and adding the text in bold below:  

117     Where primary or secondary services are required to be constructed, the Development Officer shall require the subdivider to provide 8 copies of engineering drawings and reports, prepared in accordance with the Engineering Regulations, showing all applicable systems ~~as follows~~ **including the following:**
6. Amend Subclause 130 (c) (iii) by deleting the text in ~~strikeout~~ and adding the text in bold below:  

130

(c)

(iii) for stormwater systems, copies of documentation required ~~by Halifax Water~~ to be submitted prior to acceptance of systems as set out in the ~~Halifax Water Design and Construction Specifications~~ **Engineering Regulations;**



7. Amend Subclause 130 (c) (iv) by deleting the text in ~~strikeout~~ below:

130

- (c)  
(iv) for streets, copies of documentation required by the Engineer to be submitted prior to acceptance of the streets as set out in the ~~Municipal~~ Engineering Regulations;

8. Amend Subclause 131 (c) (i) by deleting the text in ~~strikeout~~ below:

131

- (c)  
(i) 3 copies of record drawings, certified by a Professional Engineer, (one in 3 mil Mylar, one paper copy, and one in an acceptable electronic file format, of the secondary services prepared in accordance with the record drawing procedures contained with the ~~Municipal~~ Engineering Regulations;

9. Amend Appendix 1, Subclause 17 (c) (i) by deleting the text in ~~strikeout~~ and adding the text in bold below:

130

- (c)  
(i) three (3) copies of record drawings, certified by a Professional Engineer, (one in 3 ml Mylar and one in an acceptable electronic file format), of the secondary services prepared in accordance with the record drawing procedures contained with the ~~Municipal Services Systems Design Guidelines~~ **Engineering Regulations**;

10. Amend Appendix 1, Subsection 34 (1) by deleting the text in ~~strikeout~~ below:

- 34 (1) The Subdivider agrees that not more than three (3) months and not less than two (2) months prior to the end of the Warranty Period, the Subdivider, at his or her own cost, shall conduct a closed circuit television inspection of the complete storm drainage system and provide to the Engineer a video ~~tape~~ in an acceptable electronic format with respect to such inspections.

I, Iain MacLean, Municipal Clerk for the Halifax Regional Municipality, hereby certify that the above-noted by-law was passed at a meeting of the Regional Council held on [DATE], 2021.

---

Iain MacLean  
Municipal Clerk

**ADMINISTRATIVE ORDER NUMBER 2021-003-OP  
Respecting Amendments to Municipal Design Guidelines**

**WHEREAS** the Council of the Halifax Regional Municipality recognizes the need to establish and regularly update minimum standards and guidelines surrounding municipal infrastructure;

**AND WHEREAS** that Council of the Halifax Regional Municipality may, by policy, adopt amendments to engineering specifications in accordance with the *Halifax Regional Municipality Charter*;

**BE IT RESOLVED AS AN ADMINISTRATIVE ORDER** of the Council of the Halifax Regional Municipality under the authority of the *Halifax Regional Municipality Charter*, as follows:

**Short Title**

1. This Administrative Order may be known as the *Municipal Design Guidelines Amendment Administrative Order*.

**Interpretation**

2. In this Administrative Order,

(a) “Council” means the Council of the Municipality;

(b) “Municipal Design Guidelines” means the latest edition of the Municipality's design guidelines and engineering specification document comprised of three parts: Part A – Design Guidelines, Part B - Standard Details and Part C - Drafting Standards as adopted by Council in the *Regional Subdivision By-law*; and

(c) “Municipality” means the Halifax Regional Municipality.

**Purpose**

3. The purpose of this Administrative Order is to adopt amendments to the engineering specifications.

**Schedules**

4. Each Schedule to this Administrative Order shall amend the Municipal Design Guidelines.

5. Each Schedule attached to this Administrative Order shall form part of this Administrative Order.

Done and passed in Council this    day    , 2021.

---

MAYOR

---

MUNICIPAL CLERK

I, \_\_\_\_\_, Municipal Clerk of the Halifax Regional Municipality, hereby certify that the above noted Administrative Order was passed at a meeting of Halifax Regional Council held on \_\_\_\_\_ .

---

Municipal Clerk

# Municipal Design Guidelines

2021

Part A: Design Guidelines and Standards

# Part A: Design Guidelines and Standards

## Contents

- 1.0 GENERAL..... 1**
  - 1.1 INTRODUCTION ..... 1
  - 1.2 APPLICATION ..... 1
  - 1.3 DESIGN PHILOSOPHY ..... 2
    - 1.3.1 Complete Streets Guiding Principles..... 3
    - 1.3.2 Accessibility ..... 4
    - 1.3.3 Emergency Management ..... 5
    - 1.3.4 Sustainability ..... 5
  - 1.4 CONSTRUCTION, MATERIALS AND SPECIFICATION ..... 6
- 2.0 MUNICIPAL STREETS..... 7**
  - 2.1 DESIGN PROCESS ..... 7
    - 2.1.1 Complete Streets Checklist ..... 7
    - 2.1.2 Multi-Modal Level of Service Framework ..... 7
    - 2.1.3 Pedestrian Oriented Design ..... 8
    - 2.1.4 All Ages and Abilities (AAA) Bikeways ..... 9
    - 2.1.5 Designing for Transit ..... 9
    - 2.1.6 Street Classifications ..... 10
  - 2.2 GEOMETRIC DESIGN ..... 11
    - 2.2.1 Network Layout ..... 12
    - 2.2.2 Sidewalks, Walkways and Multi-Use Pathways ..... 14
    - 2.2.3 Bicycle Facility Planning and Design..... 16
    - 2.2.4 Transit Priority Measures ..... 20
    - 2.2.5 Bus Stops ..... 23
    - 2.2.6 Curb Extensions / Bump-Outs ..... 24

2.2.7	Design Speed .....	24
2.2.8	Vertical Alignment .....	25
2.2.9	Super Elevation .....	26
2.2.10	Horizontal Alignment .....	27
2.3	INTERSECTIONS .....	27
2.3.1	Intersection Design Controls .....	28
2.3.2	Intersection Design for Pedestrians .....	30
2.3.3	Intersection Design for Bicycle Facilities .....	31
2.3.4	Intersection Design for Transit Priority .....	32
2.4	CROSS SECTION ELEMENTS .....	33
2.4.1	Right-of-Way .....	33
2.4.2	Right-of-Way Allocation by Street Type .....	35
2.4.3	Lane Width .....	41
2.4.4	Shoulders (Roads with Rural Cross Sections) .....	41
2.4.5	Concrete Curb and Gutter (Roads with Urban Cross Sections) .....	41
2.4.6	The Pedestrian Realm .....	41
2.4.7	Medians .....	44
2.4.8	Driveways .....	44
2.4.9	Roadbed .....	45
2.4.10	Paving .....	47
2.4.11	Ditches .....	47
2.4.12	Cut and Fill Slopes .....	47
2.4.13	Guide Rails .....	48
2.4.14	Signs .....	48
2.4.15	Utilities in the Right-of-Way .....	49
2.4.16	Sodded Areas .....	49

2.4.17	Vehicle Laybys.....	49
2.4.18	Back-In Angle Parking .....	49
2.4.19	Retaining Walls.....	49
2.4.20	Community Mailboxes .....	50
2.4.21	Bridges.....	51
<b>3.0</b>	<b>STREETSCAPING .....</b>	<b>52</b>
3.1	INTRODUCTION .....	52
3.2	SURFACE TREATMENTS .....	53
3.2.1	Furnishing Zone Treatment .....	53
3.2.2	Pedestrian Through Zone & Frontage Zone Treatment .....	53
3.3	STREET FURNITURE AND AMENITIES.....	53
3.3.1	General Guidelines.....	54
3.3.2	Seating .....	55
3.3.3	Waste/ Recycling Receptacles.....	56
3.3.4	Bicycle Racks .....	57
3.3.5	Horticultural Plantings .....	58
3.3.6	Granite Curb.....	59
3.3.7	Bollards .....	59
3.3.8	Single Tree Planters.....	60
3.4	ORNAMENTAL STREET LIGHTS AND POLES.....	60
3.4.1	Principles of Use.....	60
3.4.2	Coordinated Traffic Signal Poles and Hardware.....	61
3.5	SIGNATURE STREETSCAPES.....	61
<b>4.0</b>	<b>STORMWATER MANAGEMENT .....</b>	<b>63</b>
4.1	GENERAL .....	63
4.1.1	Roles and Responsibilities .....	63

4.2	STORMWATER BEST MANAGEMENT PRACTICES.....	65
4.2.1	The Hierarchy Approach.....	65
4.2.2	Developing Stormwater BMP Standards.....	66
4.3	OFF-STREET DRAINAGE SYSTEMS ON PRIVATE PROPERTY.....	66
4.3.1	Objectives.....	67
4.3.2	Design Criteria for Off-Street Drainage Systems and Subdivision Grading.....	68
4.4	EROSION AND SEDIMENT CONTROL.....	72
<b>5.0</b>	<b>TREES.....</b>	<b>74</b>
5.1	INTRODUCTION AND PURPOSE.....	74
5.2	GENERAL PLACEMENT.....	74
5.2.1	Space for Trees.....	74
5.2.2	Offsets.....	75
5.2.3	Restrictions Due to Traffic Considerations.....	75
5.2.4	Considerations Due to Emergency Vehicles.....	76
5.2.5	Considerations Due to Buried Infrastructure.....	76
5.3	PLANTING AND MAINTAINING HEALTHY TREES.....	76
5.3.1	Species Diversity.....	76
5.3.2	Species Selection.....	76
5.3.3	Planting Guidelines.....	78
5.3.4	Monitoring following Development/Construction.....	78
5.3.5	Soil Volume Requirements.....	79
5.4	QUANTITIES OF TREES TO BE PLANTED.....	79
5.4.1	Quantity of Trees Required in Grass Boulevards.....	79
5.4.2	Quantity of Trees Required in a Hardscaped Furnishing Zone.....	80
5.5	HARDSCAPE STREET TREE PLANTING OPTIONS.....	80
5.5.1	Soil Cells.....	80



5.5.2	Raised Planters .....	81
5.5.3	Combination Raised Planter / Soil Cell .....	82
5.6	TREE PROTECTION .....	82
<b>6.0</b>	<b>TRAFFIC SIGNALS .....</b>	<b>83</b>
<b>7.0</b>	<b>STREET LIGHTING .....</b>	<b>84</b>
7.1	GENERAL .....	84
7.2	DESIGN REQUIREMENTS .....	84
7.2.1	Sub-Document Requirements for Lighting Design Process: .....	85
7.2.2	Design Procedure to Follow (using AGI32) .....	85
7.2.3	Design and Installation Requirements for Lights Installed on Wood Poles .....	87
7.2.4	Design and Installation Requirements for Lighting Equipment Installed Underground.....	87
7.2.5	Drawing Format Requirements: .....	88
7.3	CONSTRUCTION AND INSTALLATION REQUIREMENTS FOR STREET LIGHTS ..	89
7.3.1	Electrical Distribution Service .....	89
7.3.2	General Construction Requirements and Notes for Street lighting.....	89
7.4	SMART NODE INSTALLATION PROCESS .....	91
<b>8.0</b>	<b>TRENCH REINSTATEMENT .....</b>	<b>93</b>
8.1	INTRODUCTION .....	93
8.2	BACKFILL MATERIALS .....	93
8.2.1	Embedment Materials .....	93
8.2.2	Structural Fill .....	93
8.2.3	Type 1 and Type 2 Gravel .....	94
8.3	ASPHALTIC CONCRETE .....	94
8.4	CONCRETE CURB, SIDEWALK, AND DRIVEWAYS.....	96
8.5	TESTING AND ENGINEER'S REPORT .....	96
8.6	WARRANTY PERIOD .....	96

<b>9.0 UTILITIES .....</b>	<b>97</b>
9.1 NATURAL GAS .....	97
9.1.1 General.....	97
9.1.2 Engineering Plan .....	97
9.1.3 Installation Within Existing Streets .....	97
9.1.4 Installation Within New Streets.....	98
9.1.5 Street Restoration .....	98
<b>10.0 STREETS AND SERVICES ACCEPTANCE REQUIREMENTS .....</b>	<b>99</b>
10.1 GENERAL REQUIREMENTS .....	99
10.2 STORM DRAINAGE SYSTEM REQUIREMENTS .....	100
10.3 STREET LIGHTING REQUIREMENTS.....	100
10.4 STREET REQUIREMENTS .....	100
<b>11.0 OFF-STREET.....</b>	<b>101</b>
11.1 MUNICIPAL PROPERTIES.....	101
<b>12.0 VARIANCE REQUEST PROCESS.....</b>	<b>102</b>
12.1 Submission Requirements:.....	102
<b>APPENDIX A – GLOSSARY AND ACRONYMS.....</b>	<b>104</b>
GLOSSARY.....	104
ACRONYMS.....	111
<b>APPENDIX B – MAPS .....</b>	<b>112</b>
<b>APPENDIX C – LIST OF REFERENCED DOCUMENTS.....</b>	<b>121</b>
<b>APPENDIX D – COMPLETE STREETS CHECKLIST.....</b>	<b>124</b>

## 1.0 GENERAL

### 1.1 INTRODUCTION

Halifax's Municipal Design Guidelines (The Guidelines) was developed to provide consistency in design and construction of infrastructure among developers, consultants and contractors within the Halifax Regional Municipality (The Municipality). The Guidelines provide the minimum standards to be met in the design of streets and associated infrastructure.

Halifax Water has similar servicing standards for water, stormwater and wastewater systems; "Halifax Water Design Specifications", which can be found at <https://www.halifaxwater.ca/halifax-water-specifications-forms> .

This document provides guidance and sets standards for design and construction of infrastructure in the Municipal right-of-way; by suggesting limiting values for designs and establishing uniformity of practice in the Municipality.

An electronic copy and links to other relevant documents, which can serve as supplementary resources during the design process, can be found in Appendix C, and online at <https://www.halifax.ca/transportation/streets-sidewalks/municipal-design-guidelines-red-book> .

### 1.2 APPLICATION

The requirements for the applications of these Guidelines are as follows:

- (a) The Guidelines apply to all municipally owned infrastructure within the Municipality. This includes new construction or infills and retrofits where municipal service systems are altered.
- (b) The Guidelines are adopted by the *Halifax Regional Subdivision By-Law*, and may be amended by administrative order pursuant to the *Halifax Regional Municipality Charter* (2008, c.39), and reinforced by *By-Law S-300 Respecting Streets*.
- (c) The designer shall provide for municipal service systems meeting these criteria but also consistent with cost-effective installation, operation and maintenance. The design of municipal services must be under the seal of a professional engineer, licensed to practice in Nova Scotia, and shall be designated as the Engineer of Record.
- (d) Where the designer proposes variations from the Guidelines and where the designer can show that alternate approaches will produce desirable results, such approaches may be considered for approval. See Chapter 12 – Variance Request Process for guidance on requesting design variances.
- (e) The Municipal Engineer's decision shall be final and binding in matters of design and construction.

- (f) Each submission shall be accompanied by a statement from the Engineer of Record that the submission is in accordance with the Guidelines, except, if there are variations, the designer shall indicate clearly, in all appropriate documents and plans, included with the submission, the specific variances from the Guidelines.
- (g) The acceptance by the Municipality of the design of proposed municipal infrastructure does not relieve the Engineer of Record of the responsibility for proper design nor does it imply that the Municipality has checked the design exhaustively for compliance with this document or any other standards.
- (h) Where the Municipality has accepted a design that does not comply with the Guidelines, and where the Engineer of Record has not brought variations from the Guidelines to the attention of the Municipal Engineer, it is expected that the provisions of the Guidelines still stand.
- (i) The Guidelines cover the more common aspects encountered with roadway design. In cases where additional guidance is required, the latest editions the *Nova Scotia Traffic Safety Act and Regulations*, and applicable guides prepared by the Transportation Association of Canada (TAC), and the National Association of City Transportation Officials (NACTO) shall be used.
- (j) Where reference is made in the Guidelines to other documents, the latest edition shall govern.
- (k) In addition to the design criteria set forth in the Guidelines, all systems shall conform to all other applicable codes and standards. In the event of a conflict, the more stringent requirements established by applicable authorities having jurisdiction will apply.
- (l) No systems shall be constructed until the design has been approved by the Municipal Engineer, the approval process followed, and all applicable permits have been obtained from the Municipality and any other agencies having jurisdiction.
- (m) All plans, submissions, and calculations shall be in metric units.

### 1.3 DESIGN PHILOSOPHY

In December 2017 the Municipality adopted the *Integrated Mobility Plan* that committed to improving mobility choice through improving access to sustainable options like walking, bicycling and transit in a way that contributes to healthier communities. More information can be found at: [www.halifax.ca/integratedmobility](http://www.halifax.ca/integratedmobility). A key direction of the *Integrated Mobility Plan* is to design the Municipality's right-of-way through a Complete Streets lens, which recognizes that some streets can be destinations and important public spaces (streets as places), while also serving the movement of people and goods (streets as links). Using a Complete Streets approach provides streets that are safe, convenient and comfortable for people of all ages and abilities, and include various modes of transportation.

The Complete Streets approach can apply to all streets and is adaptable to urban, suburban and rural contexts. Street design standards are rapidly evolving as the priorities for streets evolve. The demands on streets are often highlighted in urban areas where streets serve many purposes for many people. Organizations such as the Transportation Association of Canada (TAC), The National Association of City Transportation Officials (NACTO), and the Canadian Institute of Transportation Engineers (CITE), publish guidance that has informed the Municipality's Complete Streets approach to design.

Because of the many ways that public infrastructure is used, it is important that public safety for all ages, abilities and street uses be incorporated into the design of municipal service systems. The *Halifax Strategic Road Safety Plan* is a five-year (2018-2023) plan that focuses on reducing transportation related fatalities and injuries on roadways within the Halifax Regional Municipality. The plan sets a short-term goal of 20% reduction of fatal and injury collisions within 5 years (2023). The *Halifax Strategic Road Safety Plan* can be found at: <https://www.halifax.ca/transportation/streets-sidewalks/road-safety>.

Over time, an existing street's design features may no longer support its current function. HRM is an older city with streets still in use today that were designed and constructed many years ago during an era with very different mobility priorities. Regional population growth, geographic expansion and increased use of private vehicles has created increased traffic volumes and travel speeds that the existing streets often struggle to accommodate. Conversely, streets originally designed as major thoroughfares to accommodate high traffic volumes may no longer require that capacity. These streets offer opportunities for repurposing to accommodate active transportation facilities for people to walk, roll and bicycle, additional green space, dedicated transit lanes and / or on-street parking.

### 1.3.1 Complete Streets Guiding Principles

As described in the *Integrated Mobility Plan*, the following are the prime considerations when using a Complete Streets approach:

*Streets support their intended functions and complement adjacent LAND USES:*

Complete Streets are sensitive to the character, scale and needs of surrounding neighbourhoods and contribute to the long-term vision for communities. Appropriate street design balances the needs of all users and is linked to urban design, land use and a street's function.

*Streets consider ALL AGES and ABILITIES:*

Streets need to be safe, comfortable and enjoyable for all users including people of all ages, using a variety of transportation modes (walking, biking, transit, or car), with varying abilities, in all seasons.

*Streets are MULTI-FUNCTIONAL and multi-modal:*

Streets not only connect destinations, but can be important open spaces, social spaces, community hubs, gateways and destinations. Intersections are a critical part of the system and should be designed to meet the needs of all users. Depending on a street's role, space may be reallocated to meet the needs of different users.

*CONNECTED NETWORKS are critical:*

Keeping the larger transportation system in mind is critical for each mode. While it may not be practical to accommodate every need on every street, it is critical that good networks are available for all modes, especially when linking residences to major destinations, such as employment districts, shopping, schools, service centres and other community amenities.

The Municipality has developed proposed network maps for walking, bicycling, transit, and multi-use pathways in the *Integrated Mobility Plan*, the *Rapid Transit Strategy*, and the *Active Transportation Priorities Plan*. These maps are included in Appendix B - Maps. These maps may change from time to time as the plans are implemented. Updates will be included on the website.

*Streets require COLLABORATION:*

Creating a complete street requires cooperation, engagement and partnerships across municipal departments, as well as with other orders of government, communities, businesses and other organizations.

*Streets contribute to the SUSTAINABILITY of the region:*

Streets support environmental sustainability by accommodating active transportation and transit and improving local ecology through street trees and stormwater management. They also support social and cultural sustainability by creating public spaces and enhancing the economy by supporting business, commuters and goods movement.

### **1.3.2 Accessibility**

Providing a level of accessibility to all users, with specific consideration of persons with disabilities, is an important consideration in municipal design.

#### **Provincial Legislation**

Recognizing the importance of accessibility in creating an equitable environment for all Nova Scotians, the provincial government has adopted the *Accessibility Act* (2017, c.2). The purposes of this Act is to improve accessibility by preventing and removing barriers faced by people with disabilities, and to make Nova Scotia inclusive and barrier-free by 2030. The regulations associated with this legislation are not yet complete. The Municipality will continue to implement these regulations as they become available.

## Accessibility in the Halifax Region

The Municipality is dedicated to providing convenient connections to daily destinations for people of All Ages and Abilities (AAA). Access to activities, such as shopping for healthy food, travelling to work or appointments, and socializing, is an important component of wellness. Mobility options must provide people of all ages and abilities with the independence to pursue these activities.

Creating an accessible environment helps create barrier-free and safer journeys for everyone. The Municipality is improving accessibility by implementing requirements, such as:

- Pedestrian Through Zones that allow people to travel free of temporary or permanent barriers on sidewalks;
- Tactile Walking Surface Indicators that provide attention cues on sidewalks, at pedestrian ramps, at platforms, etc., for people with visual impairments;
- Curb Ramp designs to provide barrier-free street crossings that also help to orient people with visual impairments;
- Accessible Pedestrian Signals that provide audible cues for people with visual impairments;
- Developing accessible parking guidelines;
- Limiting slopes of streets, ramps, walkways and pathways;
- Focusing winter operations to maintain accessibility throughout all seasons;
- Providing accessible bus stops and safer and accessible routes to destinations from bus stops; and,
- Improving network connections, including consideration of travel distance for active and accessible transportation modes.

Further details on the Municipality's design guidelines for accessibility are featured throughout the Guidelines.

### 1.3.3 Emergency Management

Streets provide the means to address emergency management and emergency response within our communities. Streets are the primary means for residents to evacuate hazardous areas in times of emergency. Streets are also the primary means for emergency services to access residents at risk and to deploy resources to mitigate emergencies. Appropriate street design considers allowance for the concurrent evacuation of residents and deployment of emergency responders efficiently.

### 1.3.4 Sustainability

Improving air quality and reducing greenhouse gas emissions by prioritizing walking, bicycling and transit will reduce air pollution and improve health outcomes resulting in fewer people suffering from cardiovascular and respiratory diseases. In Nova Scotia, transportation accounts for 27% of greenhouse gas emissions (as of 2019) and is the second largest source of emissions in the province, following electricity generation. Accounting for the projected growth

distribution targets outlined in the *Regional Municipal Planning Strategy*, transportation emissions in the Halifax region are projected to increase by 6% over levels from 2011 by the year 2031 unless strategic action is taken (*HalifACT*, 2020).

To improve air quality and lower greenhouse gas emissions, the *Integrated Mobility Plan* recommends the Halifax region strive towards up to 40% of regional growth to occur in the Regional Centre, backed by the *Regional Centre Secondary Municipal Planning Strategy (Centre Plan)*. By implementing the *Integrated Mobility Plan*, the number of private vehicles on the road is still projected to increase by 7%. However, the average length of private vehicle trips will decrease, and trips made by walking, bicycling and transit will increase considerably. The resulting greenhouse gas emissions should then be 2% lower than 2011 levels by 2031.

*HalifACT*, approved by Halifax Regional Council in 2020, is the Municipality's new climate plan which supports and complements the *Integrated Mobility Plan* and the *Regional Municipal Planning Strategy* to transition to a low carbon economy in an equitable, sustainable and rapid manner. To meet the Intergovernmental Panel on Climate Change recommendation of limiting global warming to 1.5°C, Halifax needs to reduce its emissions by 75% by 2030 and 100% by 2050 from its 2016 baseline. To succeed, *HalifACT* details a multitude of actions for the Municipality and the greater community, many of which are large in scale and aggressive in timeline. The plan not only focuses on reducing emissions but also in preparing and adapting to the impacts of climate change.

Considering infrastructure design from a climate lens is imperative to safeguarding residents and future-proofing our infrastructure and assets against climate impacts. As extreme weather events occur more frequently and with greater impact, it is increasingly important to consider green and resilient infrastructure as key actions for climate adaptation.

#### **1.4 CONSTRUCTION, MATERIALS AND SPECIFICATION**

Materials and all construction are to be performed in accordance with the *Standard Specifications for Municipal Services, Part II* (latest edition) as developed by the Nova Scotia Road Builders Association (NSRBA) and Consulting Engineers Nova Scotia (CENS) Joint Committee on Contract Documents (JCCD), except as modified by the *HRM Supplementary Specifications* for unit price tenders.

The *NSRBA Standard Specifications for Municipal Services*, are available at <https://www.standardspec.ca/>.

The *HRM Supplementary Specifications* can be found at <https://www.halifax.ca/business/doing-business-halifax/procurement/terms-conditions>.



## 2.0 MUNICIPAL STREETS

### 2.1 DESIGN PROCESS

#### 2.1.1 Complete Streets Checklist

Stemming from the *Integrated Mobility Plan*, a “Complete Streets Checklist” was created to provide guidance through the planning and design process. It is intended to apply to recapitalization of streets, or projects with significant impacts to streets, such as full street rehabilitation, or significant excavation such as for water, wastewater or storm mains. It is not intended to apply to small impacts, such as individual lateral cuts.

A condensed version of the checklist is in Appendix D. A fillable PDF form of this checklist can be found at <https://www.halifax.ca/transportation/streets-sidewalks/municipal-design-guidelines-ed-book>

#### 2.1.2 Multi-Modal Level of Service Framework

Traditionally, street upgrades have been identified based on a comparison of projected vehicular traffic demand with available street capacity (number of lanes) at key locations such as major streets or intersections. Often, roadway or intersection analysis focuses on the “number of vehicles” rather than on the “number of people” that can be accommodated in the network. This focus can undervalue the benefits provided by other mobility modes of transportation, most notably transit and active transportation. A car can carry 5-8 people depending on vehicle size, whereas a bus can carry 40-60 people in a similar space, as illustrated in Figure 2.1.1. In addition to moving people, considerations must also include goods movement, and emergency access.

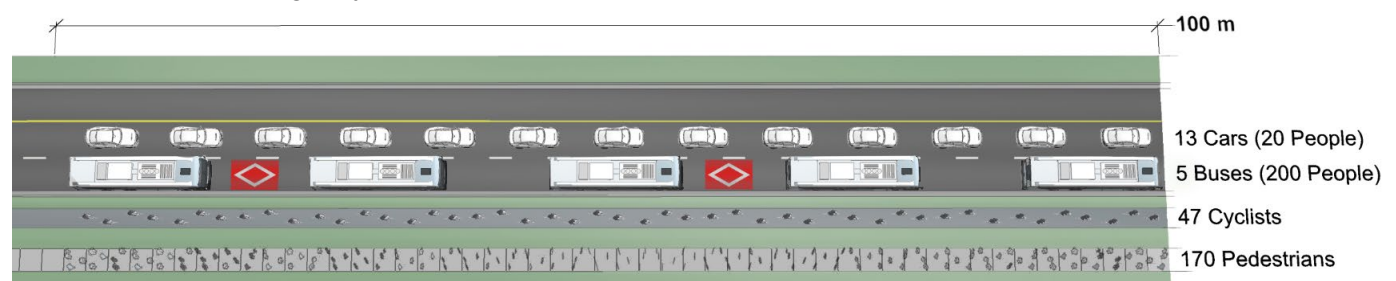


Figure 2.1.1 "People moving capacity" of different modes of transportation

A Multi-Modal Level of Service (MMLOS) is an evaluation tool that determines the degree of service provided to a street for **all modes of transportation**. It is an instrument that allows a municipality to make planning, design, and operations decisions for streets that consider the needs and objectives of all users. A complete MMLOS framework considers:

- The predominant modes of travel found on a street – pedestrians, bicycling, transit, trucks, emergency access/egress and private vehicles
- The three most common scales for mobility studies – networks, corridors, and intersections
- The three most common purposes for mobility studies – planning, design, and operations

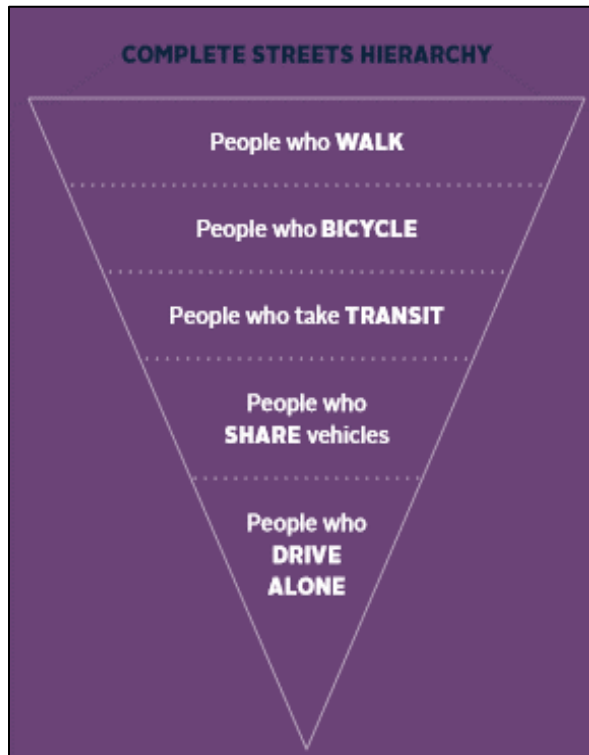


Figure 2.1.2 shows the Complete Streets Hierarchy for modes of transportation. Many of these modes overlap. For example, people become pedestrians between their destinations and bus stops or parking spots.

The *Halifax MMLOS Framework*, adapted by the Municipality in March 2019, provides further guidance on conducting MMLOS analysis for mobility projects within HRM. The guide describes the preferred planning and design process for street corridors, segments, and intersections and the Municipality’s methodology for calculating MMLOS for segments and intersections.

A PDF version of the *Halifax MMLOS Framework* can be found online at <https://www.halifax.ca/transportation/streets-sidewalks/municipal-design-guidelines-red-book>

Figure 2.1.2 Complete Streets hierarchy for modes of transportation. Source: *Integrated Mobility Plan*  
 Note: “People who walk” includes all pedestrians, including people who use mobility devices

### 2.1.3 Pedestrian Oriented Design

A well-connected pedestrian network is the best practice for pedestrian access in and through neighbourhoods. Walkways and sidewalks can provide important links through communities and parks, and must be designed appropriately.

Design of streets should minimize pedestrian conflicts. While all streets must consider pedestrians, Regional Centre streets should be designed with a “Pedestrians First” approach, as adopted in the *Centre Plan*. The “Pedestrians First” approach should also apply to suburban centres and rural centres.

“Pedestrians First” means:

- Narrower vehicle travel ways / shorter pedestrian crossing distances;
- Smaller turn radii;
- Slower design and posted speeds;
- Increased buffer for increasing volume and speed;
- Wider sidewalks for increased pedestrian volumes; and,
- Safer crossing opportunities.

Pedestrian facilities should be provided to connect destinations, both public and private, including bus stops, shopping, school, and recreation. They should also provide clear sightlines, and sufficient lighting to enhance security.

Further guidance on sidewalks and walkways can be found in Section 2.2 – Geometric Design.

#### 2.1.4 All Ages and Abilities (AAA) Bikeways

Bicycling is an ideal mode for short and medium length trips and can provide quick and convenient access to transit services in the region. Planning and design of bikeways for “all ages and abilities” (AAA) aims to enable use by people of all ages and with a variety of physical abilities. By having a connected and safer network of AAA bikeway facilities, bicycling can be a reliable and convenient option of transportation.

The *Integrated Mobility Plan* includes two maps in Appendix B which identify the Proposed All Ages & Abilities Bicycle Network (Figure B-1) and Priority Connections for Multi-Use Pathways (Figure B-2) within HRM. These routes are intended to connect people to important destinations, such as employment districts, shopping, schools, service centres, transit and other community amenities. This network includes 300+ km of walking and bicycling facilities.

AAA bicycle facilities can include protected bicycle lanes, local street bikeways, or multi-use pathways. Considerations include traffic volume and speed, slope, widths, wayfinding signage, and connections to other components of the AT system.

See section 2.2.3 – Bicycle Facility Planning and Design for more information on AAA bikeways.

#### 2.1.5 Designing for Transit

Transit provides residents with an affordable, efficient and accessible way to travel in urban and suburban areas and provides connections between rural areas, business parks and the regional centre. Transit service in HRM is influenced by land use, development patterns and street design. Conversely, transit service can sometimes shape land use and development.

The *Moving Forward Together Plan*, adopted in 2016, initiated the restructuring of the transit network and guided the implementation of service improvements. It proposed new service types, service guidelines, and performance measures, along with a network redesign.

In 2020 the Municipality adopted the *Rapid Transit Strategy*; a plan to build a rapid transit system by 2030. The Strategy builds on the vision of the *Integrated Mobility Plan*, aiming to improve sustainable transportation options and better support population growth, and further the goals of *HalifACT*. It proposes investments in high-quality transit service and infrastructure, a key to improving residents’ mobility and to building more sustainable, affordable, and equitable communities.

- (a) In areas within the [Urban Transit Service Boundary](#), established in the *Regional Municipal Planning Strategy*, the street network shall facilitate efficient operation of transit services, and designers shall emphasise transit operational needs when planning new street layouts. Designers shall consider the following criteria:
- i. Street networks shall be designed to permit two-way transit service on the same street, where appropriate;
  - ii. Linear corridors are encouraged since an efficient logical transit route is a direct line between two origins / destinations;
  - iii. Priority winter maintenance operations is afforded to bus routes, therefore appropriate lane widths and snow storage areas are necessary;
  - iv. Transit corridors running through the middle of a neighbourhood are encouraged, as a way to bring service closer to more residents and destinations; and,
  - v. Transit routes shall be able to continue through adjacent neighbourhoods. Street layouts which would require transit routes to loop back on themselves mid-route are strongly discouraged.
- (b) Local street networks within the [Urban Transit Service Boundary](#) shall also prioritize the convenience, directness and safety of pedestrian and bicycle access to nearby bus stops, Bus Rapid Transit stations and terminals. See section 2.2.5 for further guidance on design and placement of bus stops.
- (c) Streets shall be designed to have convenient pedestrian access to nearby transit-served streets and stops.
- (d) Construction phasing shall reinforce and maximize transit ridership by giving priority to servicing land uses that have the highest anticipated ridership, and by ensuring connectivity of transit routes via linear corridors in the early phases of development.
- (e) Designers shall work with the Municipality during the design process for guidance on accommodating transit service.

### 2.1.6 Street Classifications

The street classification hierarchy recognizes different street types and their role in accommodating the modes of transportation and varying land uses. Local and collector streets are intended for short trips and lead to arterial streets, which facilitate longer-distance travel.

The street classification hierarchy influences jurisdictional priorities related to network operation, maintenance and planning. It also influences the use of, and access to, land. Street classification is an important planning and design input and needs to be considered in conjunction with transit, active transportation, goods movement and other regional network plans to understand the complete role of each street.

The Municipality's street classifications align with TAC phrasing and are typically classified based on vehicle volume. Depending on the *Integrated Mobility Plan* designation, first or equal consideration may be made for other modes, such as pedestrian, bicycle or transit.

Street Classifications are as follows:

- Arterial
- Major Collector
- Minor Collector
- Local
- Industrial

The Municipality is working on updating street classifications for new and existing streets to create more diverse design guidelines based on adjacent land use and intended street function in the network for various modes. For example, a local street could have subcategories such as local commercial or local residential street. This incorporates the Complete Streets approach to design according to a street's use.

## 2.2 GEOMETRIC DESIGN

A Complete Streets lens must be applied at a network level, as street-level solutions alone will result in incomplete communities. More compact and connected street networks tend to have higher levels of people walking and bicycling and fewer vehicle kms traveled as compared to sparser designs.

In areas designated as "pedestrians first", consideration must be given for how streets can be human scaled. Land Use By-laws can enable construction of human-scaled buildings through such requirements as small setbacks, transparent and active building frontages, and streetwall and tower heights that mitigate wind and shading impacts. The Guidelines will describe how streets too can be human scaled by considering:

- how short blocks and a dense pattern of streets and intersections increase network walkability; and,
- how street and intersection design can consider on which routes it is necessary to shift priority from single occupancy vehicles to other modes such as transit and active transportation, in order to create complete networks for sustainable modes.

The following guidance is for the design of all streets. It is recognized that these guidelines are most applicable to greenfield and brownfield sites, and that reaching these standards for retrofit situations may be difficult due to limited space. However, these guidelines are to be applied to the extent possible for infill and retrofit situations as well. Where there is existing lack of network connection, opportunities may be reviewed to reconnect neighbourhoods and the transportation network to address accessibility, transit connectivity, emergency response, network porosity, active transportation connections, etc.

### 2.2.1 Network Layout

An objective of the *Integrated Mobility Plan* is to “limit the expansion of the street network and focus any additional investment in street infrastructure on strategic upgrades that support the Municipality’s mandate of encouraging a shift toward sustainable transportation modes”.

Street layout, design, and control should express and reinforce street function and land uses in accordance with Section 1.3 – Design Philosophy.

Street networks should include:

- short blocks;
- direct routes for pedestrians, bicyclists, transit and motorists between each neighbourhood and a mixed-use hub (which would ideally be a focal point for larger new developments);
- direct routes for pedestrians and bicyclists within each neighbourhood;
- sidewalks, bicycle facilities, boulevards and street trees where appropriate;
- a diverse set of street classifications;
- wider sidewalks and additional bicycle facilities on streets leading directly to pedestrian generators (e.g. schools, major bus stops, ferry terminals, etc.);
- linkages to the public open space network; and,
- opportunities for streets to be experienced as part of the open space network through recreation, leisure, and social opportunity.

Street network requirements can be found below, and in the *Regional Subdivision By-Law*.

- (a) Street networks must be continuous and create a connected grid network wherever possible. Grid networks provide:
  - (i) more than one access for emergency vehicles and more than one egress route in the event of an emergency,
  - (ii) ease of municipal services accessing individual lots, and,
  - (iii) improved accessibility of the neighbourhood by all modes of transportation, such as improved access to bus stops, and shorter routes for active transportation.
- (b) Streets must be laid out in prolongation of existing streets, either in the same subdivision area or in adjacent subdivision areas.
- (c) In a phased development, the minimum length of street which will be considered for approval by the Municipal Engineer is 150 m.
- (d) To provide for future expansion of the Municipality’s street network, an acceptable right-of-way access to adjacent properties must be provided and deeded to the Municipality. This right-of-way may have to be wider than the typical road cross-section, or include construction easements, to allow for future construction of road without disturbing adjacent land. These access roads must be located along the boundary in such a manner as to not prejudice development of adjacent land. The road must be graded to include Type 2 gravels, and services (water, wastewater, and stormwater), if required, must be provided to the property line. A guide rail shall then be installed near the entrance of the road.

The subsequent developer of the adjacent property is then responsible for completing the construction of the entire road, including the portion on adjacent property. This includes removal of the guide rail, removal of the temporary bulb or tee (if one exists), installation of the remaining services (wastewater and stormwater mains, water main, curbs, etc.), grading the existing surface, and the installation and the installation of gravels and asphalt to finish the road.

- (e) Culs-de-sac pose challenges for winter operations and limit access for transit, emergency vehicles and active transportation networks, and are discouraged. Culs-de-sac may be considered when their use avoids:
  - (i) development on steep slopes,
  - (ii) fragmentation of environmental corridors,
  - (iii) natural features,
  - (iv) when a temporary street layout is required ahead of a future urban expansion,
  - (v) when developing infill sites that are unable to create a through connection.
- (f) In instances where culs-de-sac are deemed acceptable by the Municipal Engineer, the maximum permanent cul-de-sac length shall be 100 m in length, or 150 m where a walkway is located at the end of the cul-de-sac which connects to another street, or 400 m in rural areas, and must include:
  - (i) turning bulb as per the details in Part B,
  - (ii) a right-of-way deeded to the Municipality, and,
  - (iii) no islands.
- (g) The designer shall follow ecological requirements from Nova Scotia Environment, and shall consider the design of road networks to minimize the impact on the ecological integrity of an area, so as to maintain wildlife habitats, biodiversity and landscape connectivity, in accordance with the Municipality's *Regional Municipal Planning Strategy* and the *Halifax Green Network Plan*.
- (h) When designing a road network within the [Urban Transit Service Boundary](#), the designer, working with the Municipality, shall consider current and future transit need and shall submit a proposed layout of bus stop locations for review, even in cases where transit may not be implemented in the near future. Routes and stop locations shall use collectors and arterials where possible. See sections 2.1.5, 2.2.4, and 2.3.4 for further guidance on designing for transit.
- (i) When designing a street network, the designer shall work with the Municipality to include logical extensions of the Municipality's existing and proposed transit, pedestrian, bicycle, and multi-use pathway networks, in anticipation of current and future needs and shall propose layout as part of the design, for review by staff.
- (j) Other than culs-de-sac meeting the requirements of section 2.2.3, any lot in a subdivision shall have two or more independent street accesses to the existing street system, and these accesses shall, at minimum, be located at opposite ends of the subdivision.
- (k) Where there is an approved phasing plan and subdivision agreement in place confirming that a second street access will be provided within a specified time approved by the

Municipal Engineer, up to 300 lots containing a maximum of 300 dwelling units may be approved prior to the second access being provided.

- (l) Where, in the opinion of the Municipal Engineer, it is impractical to provide a second access, up to 100 lots containing a maximum of 100 dwelling units may be approved with a single access.

### 2.2.2 Sidewalks, Walkways and Multi-Use Pathways

Sidewalks refer to concrete pedestrian pathways alongside roads, while “walkways” refer to pedestrian pathways located between roads, or street-to-street connections.

#### (1) General to Sidewalks, Walkways and Multi-use Pathways

- (a) For walkways, sidewalks, multi-use pathways and other hardscape structures in the right-of-way, the geotechnical report shall recommend the depth and type of material to provide for structural support / substructure of the walkway / sidewalk / trail.
- (b) Sidewalks, walkways and multi-use pathways shall be located and designed whenever possible so that the grade shall not exceed 4%. On streets where the maximum grade is greater than 4% the maximum sidewalk or walkway grade may match the street, up to 8%.
- (c) If sidewalk, walkway and multi-use pathway grades are not considered accessible (*i.e.*, if they are not 6% or less), separate pedestrian facilities or alternative accessible design may be required.
- (d) Sidewalks and walkways are to be designed such that stairs are not required.

#### (2) Sidewalks

Sidewalks comprise the pedestrian through zone. See section 2.4.6 for further discussion.

- (a) Sidewalk widths shall be in accordance with the details in Part B, including street cross sections. Sidewalks shall have a minimum of 1.5 m clear travel width (pedestrian through zone), that excludes utility poles, sign posts, and other obstructions, to accommodate winter maintenance vehicles and accessibility.
- (b) Where space constraints in retrofit situations do not permit the inclusion of a boulevard, and sidewalks must abut the curb, the minimum width of the sidewalk shall be 2.1 m
- (c) In locations with curbs, pedestrian ramps shall be installed on both sides of each road at all roadway intersections where there is sidewalk, and at Canada Post community mail box locations.
- (d) Pedestrian ramps require tactile walking surface indicators as per details in Part B.
- (e) All concrete shall be placed in accordance with the *HRM Supplementary Specifications* and may be subject to a Quality Management Plan during cold weather, as directed by the Municipal Engineer.



### (3) Walkways

Selection of locations for walkways shall take into account the requirements for pedestrian circulation for the neighbourhood, and provide convenient connections to nearby destinations. For example, if a walkway ends on a street with a single sidewalk, the sidewalk should be located on the side of the road to meet the walkway. If the layout of the development requires a walkway to terminate opposite a single sidewalk then a second sidewalk from the walkway to the nearest appropriate roadway intersection shall be required. The following design criteria applies to walkways located between urban roads, or street-to-street connections:

- (a) The walkway shall have a minimum right-of-way width of 4.5 m. At the discretion of the Municipal Engineer, additional easement or right-of-way width may be required to facilitate the walkway geometry, grading, lighting, or construction and maintenance of municipal infrastructure. Where the wastewater / stormwater easement is within a walkway, the easement shall be a minimum width of 6.0 m as per Halifax Water guidelines, and the easement shall be granted to Halifax Water prior to the transfer of ownership of the walkway to the Municipality.
- (b) Principles of Crime Prevention Through Environmental Design shall be considered in the design of walkways, such as sight lines, lighting, visibility from well-travelled areas, etc.
- (c) The travelled portion of a walkway shall be centred within the right-of-way unless approved otherwise and shall have a minimum width of 1.8 m. The clear width of the travel way plus shoulder shall be minimum 3.0 m wide and shall be graded appropriately to accommodate service vehicles, with consideration given to service vehicles when incorporating swales and slopes.
- (d) A pedestrian ramp shall be constructed at each end of the walkway where curb and gutter is present. Pedestrian ramps shall be placed at all cross-walk locations, and shall be placed in accordance with the details in Part B.
- (e) Where there are no adjacent public uses, each side of a walkway right-of-way shall be fenced. The fence shall be 1.2 m high and material shall be as specified in the NSRBA and CENS Joint Committee on Contract Documents, as well as the details in Part B.
- (f) The right-of-way shall be graded to control surface water and major drainage within the right-of-way. Landscaped and sodded swales, catch basins, pipe and drains shall be provided to control erosion and to maintain a safe surface. Swales, where required, shall not be located closer than 600 mm from the edge of the travel way.
- (g) Walkways shall be lighted and shall be oriented as to benefit from street lighting where possible (refer to Chapter 7). The maximum distance between lights on a walkway shall be 75 m. Lights shall be located to not impede service vehicles.

### (4) Multi-Use Pathways

- (a) Multi-use pathways including designated active transportation trails shall be in accordance with the details in Part B, and in consultation with the Municipal Engineer.

- (b) Trailheads to multi-use pathways with wider access ramps resembling driveways may benefit from the installation of a barrier (e.g. bollard, gate, etc.) to discourage vehicle access. Bollards shall reflect light to enhance their visibility. Removable bollards may be considered provided their base is flush or lower than street level. See section 3.3.7 for guidance on bollards in the Regional Centre.
- (c) Further guidance on multi-use pathways can be found in section 2.2.3 Bicycle Facility Planning and Design.

### 2.2.3 Bicycle Facility Planning and Design

In order to determine the appropriate type of bicycle facility for a street, it is important to consider how this street functions within the network, for all road users and functions. Candidate networks for bicycle facilities have been identified in municipal priority plans (e.g. *Active Transportation Priorities Plan* and *Integrated Mobility Plan*) and expansion to the network will be considered on an ongoing basis.

Planning and design processes establish what type of bicycle facility will be constructed. The factors that influence selection of the preferred facility type are established in professional guidelines, such as TAC and NACTO. These decision-making frameworks consider factors such as speed and volume of vehicle traffic. Each street should be considered individually for the most suitable bicycle infrastructure for that street.

#### (1) Bicycle Facility Types

- (a) *Local Street Bikeways* provide designated local street routes for bicyclists, where motor vehicles and bicycles share the right-of-way. Because local street bikeways generally avoid main or busy roads, way-finding signage and pavement markings are necessary to direct bicyclists and to inform vehicles. These facilities can be considered AAA. Figure 2.2.1 shows an example of a local street bikeway on Vernon Street.
- (b) *Painted Bicycle Lanes* do not have any physical barriers between bicyclists and motor vehicles. The buffer can be delineated by painted lanes. The buffer is especially important if the bicycle lane runs alongside designated parking spaces. Figure 2.2.2 shows an example of a painted bike lane on Lower Water Street.



Figure 2.2.1 Local street bikeway on Vernon Street



Figure 2.2.2: Painted bike lane on Lower Water Street

- (c) *Protected Bicycle Lanes* are exclusive bicycle facilities that are physically separated from motor vehicle traffic, and distinct from the sidewalk. They can be unidirectional or bidirectional and are an attractive facility to people who would normally be uncomfortable riding on the road in traffic. Important considerations include sufficient width, frequency of driveways and side streets, drainage, and traffic volumes. These facilities can be considered AAA. Figures 2.2.3 and 2.2.4 show examples of protected bike lanes in Halifax.

Methods of physical separation for protected bicycle lanes may include flexible or rigid bollards, planters, rows of parked vehicles, grass or treed median, or concrete barriers including curbs. A key factor in determining the separation elements is whether the facility is interim (0-3 years) or permanent. Interim projects would typically feature elements such as planters and bollards. When using curbs and concrete barriers for separation, breaks will be required for driveways, side streets, and access for waste collection. Consideration to emergency vehicle access and street maintenance will be made in the selection of separation types. Existing professional guidelines, such as NACTO, have further detail on the design considerations when using these separation elements.



Figure 2.2.3 - Unidirectional bicycle lane on Hollis St



Fig 2.2.4 - Bi-directional bicycle lane on Rainnie Dr

- (d) *Multi-Use Pathways* are spaces that are shared by bicyclists and pedestrians. They must be separated from traffic, typically by a boulevard, curb or ditch. Bicyclists on Multi-Use Pathways should travel at lower speeds in order to safely share the space with pedestrians. Safe transitions to the street network must be considered. These facilities can be considered AAA. Figure 2.2.5 shows an example of a multi-use pathway in Halifax.



Figure 2.2.5 - Multi-use pathway on Beaufort Avenue

## (2) Bicycle Lane Width and Surface Guidelines

- (a) An unsettled gutter can create a catching edge and cause a hazard to bicyclists. Therefore gutter pans are not included in lane widths for bicycles.
- (b) Painted bicycle lanes shall be 1.5 m to 2.0 m wide from edge of gutter.
- (c) Protected bicycle lanes shall have a curb to curb width of 1.8 m to 2.0 m per lane, not including gutter pan.
- (d) Multi-use pathways shall be 3.0 m wide minimum, with a recommended total travel width of 4.0 m.
- (e) Bicycle lanes that are part of the roadway, including all paved shoulders, shall have the same pavement structure as the adjacent lanes. For separate facilities such as multi-use pathways, refer to the details in Part B.
- (f) Cross slopes shall not exceed 2%, however where this is not possible, for short distances the cross slope could be a maximum of 4%.
- (g) Stormwater shall completely drain off bicycle lanes to avoid water pooling.
- (h) Catch basins shall be located out of the travel way and be bicycle friendly.

### (3) Midblock Considerations

Midblock considerations for interactions with bicycle lanes include bus stops, accessible parking, loading, and crosswalks. These interactions are most complex for protected bicycle lanes.

- (a) There are a number of options for managing interactions where protected bicycle lanes cross bus stops. The options depend on the availability of space for the degree of separation that can be achieved between road users.
  - (i) The preferred option where space allows is to direct the bicycle lane behind the bus stop (sometimes called a transit island). Transit islands require transit users to cross the bicycle lane between the shelter and bus stop at marked crossings, where bicycles would yield. Transit islands limit conflicts between bicyclists and loading / unloading transit users. To ensure safety, this option requires tactile warnings and precautions for pedestrians crossing the bicycle lanes, as well as warnings for bicyclists.
  - (ii) In constrained situations, bicycle lanes may be transitioned to a raised bicycle lane at bus stops. By having a raised surface, it is easier for transit users to board. The change in elevation, as well as paint and signage, indicates to the bicyclist the oncoming conflict point. Bicyclists are expected to yield to transit users, however it must be made clear that transit users cannot use the bicycle lane to wait for their bus. An example of this is shown in Figure 2.2.6.



Figure 2.2.6 - Bus stop / raised bicycle lane on South Park St

- (c) Accessible parking spaces abutting bicycle lanes shall be located near the closest sidewalk access. This is generally the start / end of a block or near a crosswalk. This provides access to a ramp onto the sidewalk as well as access around barriers that may be in place for a bicycle lane. Where this is not possible, a break in separation shall be considered as well as a ramp to access the sidewalk.

- (d) Loading zones must not impede bicycle lanes and shall be located strategically to allow easy access around bicycle lanes and prevent stopping or parking in bicycle lanes. Breaks shall be placed to allow access to the sidewalk, as well as ramps.
- (e) Mid-block crossings shall provide space on either side of the bicycle lane for pedestrians to evaluate traffic and shall provide adequate sight lines for all users. A change in elevation of the bicycle lane at crossings indicates for bicyclists to use caution and yield; otherwise, a ramp is required.

### 2.2.4 Transit Priority Measures

Transit Priority Measures (TPM) are street infrastructure or other interventions which reduce the impact of traffic congestion for transit vehicles, allowing more efficient and reliable transit service. When TPMs are required, the guidance from this section shall be followed.

Strategic street links on which TPMs will most benefit the transit system are identified as Transit Priority Corridors (Figure B-3, and Figure B-4 in Appendix B). Transit Priority Corridors include a series of TPMs, with the effect of each one adding up to provide reduced delay and improved reliability. TPMs may require trade-offs on a street including less capacity for private vehicles. Table 2.1 lists five types of TPMs that are encouraged for use in HRM. This is not intended to be an exhaustive list; other types of TPMs may be recommended where appropriate.

<b>TPM Type</b>	<b>Section</b>	<b>Benefit</b>	<b>Recommended for</b>
Transit priority lane	2.2.4	Allows buses to bypass congestion	Transit Priority Corridors
Transit signal priority	2.3.4	Reduces bus waiting time at signalized intersections	All signalized intersections on Transit Priority Corridors; signalized intersections with high congestion on other streets
Queue jump lane	2.3.4	Allows buses to bypass traffic queues at intersections	Intersections with high congestion; often used in conjunction with transit signal priority
Turn restriction	2.3.4	Prevents turn-related congestion at intersections	Strategically chosen intersections where turning vehicles present problems for transit operation
Bus bulb	2.2.6	Having bus stops in the live lane, maintains its priority in traffic	Bus stops in urban / suburban areas next to on-street parking

#### (1) When to use Transit Priority Measures

Determining when a TPM is required depends on whether it has been identified as a Transit Priority Corridor.

- (a) On identified Transit Priority Corridors, designers shall work with the Municipality to determine appropriate types of TPMs to include in the street design.

- (b) On streets that have or are anticipated to have transit service, but are not Transit Priority Corridors, designers shall work with the Municipality to determine where to include TPMs, especially on congested segments where transit may be delayed.
- (c) The Municipality's Multi-Modal Level of Service Guidelines shall be used to help designers determine appropriate measures to provide the desired level of transit service. See section 2.1.2 for further information on Multi-Modal Level of Service Guidelines.

## (2) Transit Priority Lanes

A transit priority lane is a portion of a street for the preferential or exclusive use of transit vehicles, sometimes allowing limited use by other vehicles, such as for right-turns.

- (a) Transit priority lanes are used as priority access routes for emergency vehicles, and shall be designed and implemented with this understanding.
- (b) Transit priority lanes are typically designated for transit use by signs and markings.
- (c) Design considerations for transit priority lanes includes:
  - (i) Signage: Transit priority lanes must be clearly marked with appropriate signage in accordance with the TAC Manual of Uniform Traffic Control Devices.
  - (ii) Pavement markings: Pavement markings must be used to differentiate the bus lane from adjacent travel lanes or parking/loading areas. Pavement markings shall be in accordance with the TAC Manual of Uniform Traffic Control Devices.
  - (iii) Physical separation elements: Where transit priority will be provided full time and other vehicles or bicycles do not need to enter or cross the transit priority lane, physical elements can be used to separate the lane from other travel lanes. Separation elements may include vertical curbs, rumble strips, bollards, low concrete domes, or grassed boulevard. Winter maintenance, waste management and emergency vehicle access to adjacent properties must be considered prior to implementation of physically separated transit lanes.

## (3) Types of Transit Priority Lanes

Transit priority lane types shall be selected based on investigations such as traffic impact assessments and / or consultation with the Municipality. Where transit priority lanes are warranted, they shall consider the following:

- (a) *Curbside transit lane*: places buses in the right-most travel lane against the curb. Figure 2.2.7 illustrates the curbside transit lane in Halifax.
  - (i) A curbside transit lane can permit different uses, such as parking at times of day or night when transit priority is not needed. Curbside transit lanes may not be suitable on streets where on-street parking is essential. In constrained right-of-ways there may be required trade-offs such as on-street parking or loading.

- (ii) It is recommended to use curbside transit lanes adjacent to wide sidewalks or landscaping elements where right-of-way width exists, to provide separation between buses and pedestrians.
- (iii) Consideration must be given to whether right-turns will be permitted from curbside transit lanes. If vehicles waiting to make a right-turn (e.g. due to high pedestrian volumes) will regularly hold up buses, right-turn restrictions should be considered (Section 2.2.5.3).

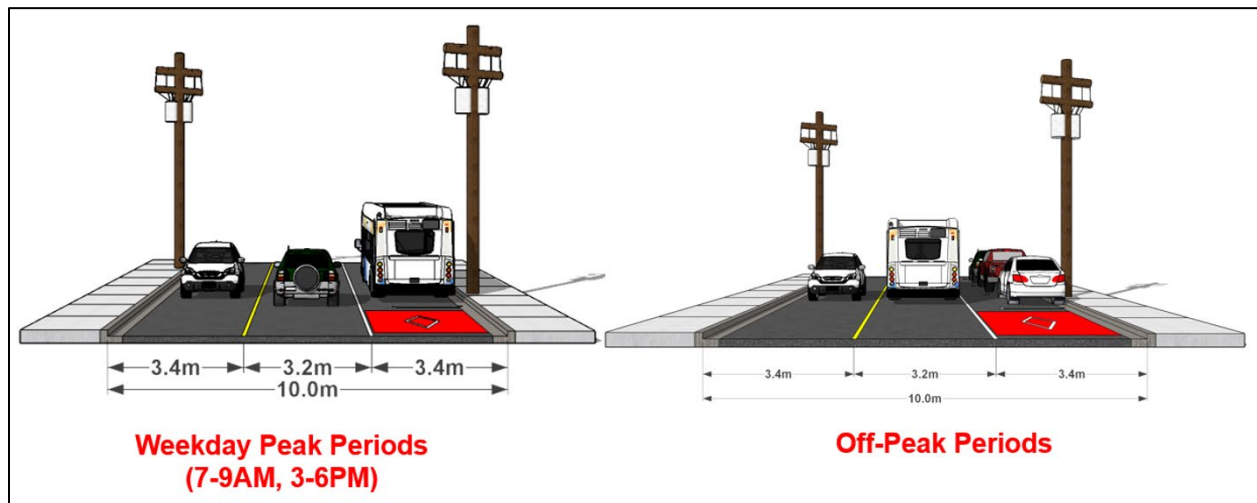


Figure 2.2.7 – Sketch of a Halifax curbside transit lane, constructed in 2019.

- (b) *Offset transit lane*: places buses in the right-most travel lane, but offset from the curb by on-street parking, curb extensions or raised bicycle lanes. Design of offset transit lanes shall consider the following:
  - (i) Offset transit lanes work best on multi-lane streets with other curbside uses such as on-street parking or loading, maintaining space for these uses.
  - (ii) Offset transit lanes shall be combined with bus-bulb curb extensions to further facilitate transit efficiency. See sections 2.2.6 for information on curb extensions.
  - (iii) Since other vehicles may have to cross the transit lane to access the curb, offset lanes cannot generally be physically separated from travel lanes.
- (c) *Centre transit lane*: places buses in the centre of the street, to the left of vehicle lanes in the same direction. Design of centre transit lanes shall consider the following:
  - (i) Centre transit lanes are most suitable on Transit Priority Corridors where high frequency transit service (such as Bus Rapid Transit) operates, as it eliminates conflicts with curbside uses.
  - (ii) Traffic making left turns from a centre transit lane is not permitted. Where left turns are required, a dedicated turning lane and signal phase shall be used.



- (iii) Centre transit lanes require boarding islands, dedicated space in the centre of the street for passengers to wait and board buses. Accessible connections between these islands and the sidewalk are required.

## 2.2.5 Bus Stops

### (1) Location of Bus Stops

Bus stops shall be located in accordance with the following:

- (a) Within the area served by transit, bus stops will be spaced to ensure that a minimum of 90% of all residences will be within 500 m of at least one bus stop. Spacing of bus stops:
  - (i) shall be not less than 250 m apart, except in the Regional Centre, commercial main streets, near major trip generators, or where closer spacings may be warranted.
  - (ii) may be further than 250 metres apart, provided that the spacing is such that the majority of origins and destinations are within a 500 m walk.
  - (iii) Shall be approximately 500 m apart in areas of lower density.
- (b) Bus stops shall be placed near intersections, or adjacent to passenger generators and popular destinations.
- (c) Stops shall be sited adjacent to pedestrian infrastructure like sidewalks and crosswalks for accessibility, network connectivity and shall be well-lit for user comfort and safety.
- (d) Bus stops shall be designed such that they meet accessibility standards. This means that a bus pad of 2.5 m must be present which allows for the bus ramp to be deployed and 1.5 m for accessibility devices to complete a turn. Bus pads which are not connected to sidewalk panels must include a pedestrian ramp to the street to allow for navigation by those using mobility devices. See details in Part B for bus stop specific details.
- (e) Bus stops cannot be considered accessible if the surrounding network connections are not accessible.
- (f) Bus stops which have a high volume or are expected to have a high volume of passengers shall allow additional space for queuing passengers, such that they do not interfere with the pedestrian through zone. This may require a larger bus pad, a bus bulb or other designated waiting area for passengers.

### (2) Bus Shelters

- (a) Shelters may be considered where:
  - (i) there are more than 100 passenger boardings per day;
  - (ii) there are 50-99 boardings per day, and the stop is located adjacent to a trip generating destination; or,
  - (iii) environmental conditions warrant a passenger shelter, i.e., the stop is located in a particularly exposed or windy location.
- (b) Designers shall work with the Municipality to determine appropriate locations and design for shelters and if power and / or data is required for a shelter.

- (c) Shelter design shall minimize variations in an area in order to facilitate maintenance and repair. All transit shelters are to be installed on a concrete pad in accordance with the details in Part B. The entrance to the shelter shall be installed facing the sidewalk.
- (d) If an ad shelter is required, the ad panel is to be installed on the end of the shelter which faces away from oncoming traffic. This allows transit riders to have an unobstructed view of their bus approaching from within the shelter and allows the transit operator visibility to those who may be waiting. These shelters require electricity and a local disconnect as per the details in Part B. Do not place fixed elements within 1.5 m of the face of the ad panel, to allow for the ad panels to open.

### 2.2.6 Curb Extensions / Bump-Outs

Curb extensions, or bump-outs, visually and physically narrow the roadway in a localized area. They increase the safety of pedestrian-vehicle conflict areas by providing shorter crossing distances for pedestrians, making pedestrians more visible to drivers, and act as traffic calming by encouraging more cautious driving and slower vehicle speeds.

Curb extensions may be used to mark the gateway of a special district, or to align a bus stop with a parking lane. They may also be considered to provide room for street furniture, and to enhance opportunities for sidewalk patios. Planting street trees in extensions further narrows the perceived width of the street, increasing traffic calming.

- (a) Curb extensions can be installed at intersection corners or mid-block. Curb extensions are designed based on street context and street classification. Use of curb extensions shall be determined during the functional design stage, through consultation with the Municipality.
- (b) Bus-bulb curb extensions may be used to facilitate transit boarding across parking lanes.
- (c) Curb extensions shall be designed such that design vehicles can navigate narrowed intersections with adequate sight lines.
- (d) Use of street trees, planting and street furniture in curb extensions shall not impede visibility of pedestrians or signage.
- (e) Design considerations of curb extensions shall include, but are not limited to, street drainage, cross slope of street and widened sidewalk, remaining lane width, and turning templates for design vehicles.

### 2.2.7 Design Speed

The applicable design speed shall be in accordance with Table 2.2.

### 2.2.8 Vertical Alignment

- (a) The minimum and maximum grades shall be in accordance with Table 2.2.
- (b) The minimum centre-line grade of any street shall not be less than 0.5 percent. The minimum centre-line grade on a cul-de-sac shall be designed to provide a minimum curb or ditch grade of 0.5 percent.
- (c) The grade of a minor road at an intersection shall match the cross section of the major street at that point. The grade shall continue for a minimum of 20 m from the intersection and shall not exceed 4 percent. This distance will be measured along the centre-line of the intersecting street, from where the centre-line intersects the edge of the travel way of the major street.
- (d) The grade of a cross slope shall be 2 percent for accessibility of pedestrian crossing, with a maximum allowable grade of 4 percent throughout.
- (e) The maximum centre-line grade of cul-de-sac bulbs shall not exceed 6 percent.
- (f) Cul-de-sac bulbs shall be graded to drain from the centre to the curb or ditch.
- (g) Curb elevations at intersections, critical grade locations, and cul-de-sac bulbs shall be shown on drawings at a minimum 3 m spacing.
- (h) Road reserves shall be graded to provide for logical connections, so as not to encumber adjacent property and future connections. Grade of proposed streets shall transition to road reserve at a maximum of 8 percent back to existing ground / natural topography.
- (i) Minimum K factors for vertical curves shall be in accordance with Table 2.3.
- (j) For non-illuminated roadway conditions, headlight control values must be used for sag vertical curves. Refer to TAC Geometric Design Guide for further guidance.
- (k) For illuminated conditions, comfort control values may be used where there is adequate street lighting to better match design grades with existing grades.

Parameter	Local <sup>1</sup>	Local 50	Local Industrial	Minor Collector	Major Collector	Arterial
Speed (km/h)	30-50	30-50	30-50	50-60	50-60	50-80
Min. Grade	0.5%	0.5%	0.5%	0.5%	0.5%	0.5%
Max Grade	8% <sup>2</sup>	8% <sup>2</sup>	8% <sup>2</sup>	6% <sup>2</sup>	6%	6%
Min. $\phi$ Curve Radius	20 m	100 m	100 m	see TAC	see TAC	see TAC
Sight Distance Requirements	45 m	65 m	65 m	DSD	DSD	DSD

TAC Transportation Association of Canada Geometric Design Guide for Canadian Roads

DSD Decision Sight Distance

- (1) Local culs-de-sac, p-loops, or crescents which are less than 400 m in length.
- (2) At the discretion of the Municipal Engineer, steeper grades may be considered under exceptional circumstances and where transit and/or destination access is not needed or anticipated, and where not on a bicycle route. In these cases, alternative reasonable accessible sidewalk connection / pedestrian route must be demonstrated.

Design Speed (km/h)	Crest Vertical Curves		Sag Vertical Curves	
	Rate of Vertical Curvature (K)	Rate of Vertical Curvature (K)		
		Headlight	Comfort	
30	2	4	2	
40	4	7	4	
50	7	12	6	
60	13	18	9	
70	23	25	12	
80	36	32	16	
90	see TAC	see TAC	see TAC	
100	see TAC	see TAC	see TAC	
110	see TAC	see TAC	see TAC	

### 2.2.9 Super Elevation

Super elevation encourages speed and may be hazardous to large vehicles and is not encouraged in HRM.

- (a) Local streets shall not be superelevated unless there are safety or drainage concerns.
- (b) Super elevation may be considered for major collectors or arterials based on sight distance, drainage or other considerations.
- (c) Where superelevation is used it shall be carried out in accordance with the TAC Geometric Design Guide. The maximum superelevation rate is 0.04 m/m.

### 2.2.10 Horizontal Alignment

- (a) The minimum curve radius to be used for collectors and arterials will be directly related to the design speed and shall be in accordance with the TAC Geometric Design Guide.
- (b) The minimum centre-line curve radius shall be in accordance with Table 2.2.
- (c) Tangent distances between horizontal reverse curves shall not be less than 20 m.
- (d) Tangent distances between horizontal curves turning the same way shall not be less than 40 m.

## 2.3 INTERSECTIONS

Intersections shall be carefully designed to consider all modes of transportation, aiming to maximize safety and minimize the delay of moving people. Different treatments are appropriate for different intersections, and the design of a given intersection shall be considered in the context of the broader street network, vehicle flow, transit volumes and headways, pedestrian and bicycle volumes, collision history, and block length.

Intersections are major points of conflict for roadway users and have a significant impact on the mobility of pedestrians and bicyclists. The speed and ease with which users can move through an intersection is affected by signal timing, lane configuration, width of the traveled way, intersection design, streetscaping features, traffic volumes, and other factors.

The Multi-modal Level of Service Guide (see section 2.1.2) shall be used to assess the level of service for different modes as appropriate for each intersection.

Intersection design shall consider the following principles:

- (i) *Safety first*: Intersections are where the most points of conflict occur between different street users. The design of intersections must first ensure safer crossing for the most vulnerable users.
- (ii) *Predictability*: Crossing movements and the correct path of permitted movements should be predictable. Simplify complex intersections where possible.
- (iii) *Visibility*: Ensure unobstructed sightlines among road users at intersections.
- (iv) *Multi-modal*: Analyze capacity from a multi-modal perspective, focusing on movement of people, rather than vehicles only, including pedestrians, bicycles and transit and goods, depending on the street context.
- (v) *Accessibility*: Incorporate accessible design at intersections, such as tactile walking surface indicators, curb ramps or depressed curbs, accessible pedestrian signals, walk speeds at crossings for all ages and abilities, and access to bus stops, etc.
- (vi) *Compact design and shorter crossings*: Compact intersections tend to lower vehicle speeds and minimize pedestrian crossing distances.
- (vii) *Placemaking*: Depending on street context, an intersection can be repurposed to enhance quality of life with greening, street furniture, or public art, and can define the entrance to unique neighbourhoods.

(viii) *Maintenance and operations*: Include considerations of snow removal and stormwater management, and management of assets such as curbs and street furniture.

### 2.3.1 Intersection Design Controls

- (a) The maximum number of street approaches to any intersection shall be four.
- (b) Intersections shall align wherever possible. Offset intersections will not be accepted.
- (c) The minimum and maximum centre-line distance between intersections shall be in accordance with Table 2.4 and shall be laid out in such a manner as to not prejudice development of adjacent land.

Intersections on this Road Class:	Minimum distance between intersections (m)*, **	Maximum distance between intersections (m)
Arterial	500	
Major Collector	150	500
Minor Collector	75	500
Local	60	500

\*For speeds of 50 km/h and a cycle length of 60s. As speeds increase, the optimal intersection spacing increases proportionately. These same parameters can also be reduced for target speeds below 50km/hr, which may be considered in pedestrian oriented environments.

\*\*Reductions in minimum distances may be considered for roundabouts in higher order roads.

- (d) The minimum curb and edge of pavement radius for roads shall be in accordance with Table 2.5. Radii shall be reduced where possible to reduce pedestrian crossing time and distance, and reduce the speed of turning vehicles. Radii shall be designed in context, considering volume of users, and actual radius versus effective radius. Radii shall be designed considering both design vehicles, which are to be accommodated regularly, and control vehicles, which are infrequent and may encroach into opposing traffic lanes. Design vehicles shall be selected with consideration of the surrounding land uses.
- (e) Intersections shall be designed to allow emergency vehicles to turn between curb lines.
- (f) Street line cut-back for right-of-way shall be calculated based on selected curb radii and sidewalk placement. At intersections the street line cut-back shall be measured from the extended street line intersection point (see detail in Part B).
- (g) The angle subtended by the centre-line of intersecting streets shall be between 70 and 110 degrees.

- (h) The centre-line shall be a straight line for a minimum of 10 m measured from and along the intersection of the centre-line of the approach street and the edge of the shoulder / curb of the street to which it is connecting.

<b>Table 2.5 Radii at Intersections</b>	
<b>Intersection Type</b>	<b>Curb and Edge of Pavement Radii *</b>
Residential Local at Residential Local	5.0 m – 7.5m
Residential Local or Residential Minor Collector at Residential Minor Collector	5.0 m – 7.5m
Commercial Local / Commercial Local	7.0 m
Commercial Minor Collector at Commercial Minor Collector	10.0 m
Industrial Local / Industrial Local or Industrial Collector / Industrial Collector	5.0 m – 15.0 m simple radius, but must accommodate truck turning functions well, 3-centred curve permitted
Major Collector / Major Collector or Arterial / Arterial	5.0 m – 15.0 m simple radius, but must accommodate truck turning functions well, 3-centred curve permitted

\*Additional design checks may be required based on intersection angle, design vehicle, and other factors to confirm appropriate radii.

### 2.3.1.1 Stopping and Intersection Sight Distance

- (a) Minimum stopping sight distance as defined by the TAC Geometric Design Guide shall be provided for all driveways on all streets by designing in accordance with Table 2.2.
- (b) Minimum stopping sight distance shall also be provided at intersections in accordance with TAC Geometric Design Guide.
- (c) Minimum decision sight distance shall be as defined by the TAC Geometric Design Guide.

### 2.3.1.2 Roundabouts

A roundabout is a circular intersection where traffic goes one way in a counter-clockwise direction and vehicles yield upon entry. A roundabout provides another option for a controlled intersection, that is, instead of stop signs or traffic signals. Roundabouts can also provide opportunities for traffic calming and speed transition within neighborhoods.

- (a) Roundabouts are to be designed in accordance with the latest edition of the TAC Canadian Roundabout Design Guide.
- (b) The centre island can be landscaped using such treatments as trees, shrubs, flower beds, public art, etc. Landscaped features shall not encourage pedestrians to explore the centre island as this would create safety and operational issues.
- (c) Roundabouts may not be appropriate for all situations. Roundabouts are best suited for applications such as:
  - (i) Intersections where traffic flow is fairly even across all legs
  - (ii) High speed intersections
  - (iii) Intersections with high collision rates
  - (iv) Intersections with high delays
  - (v) Intersections with high left turn movements
  - (vi) Intersections with unusual geometry
  - (vii) Intersections that serve as gateways to communities
- (d) Rectangular Rapid Flashing Beacons (RRFB) are required at crossings for multi-lane roundabouts to improve crossing safety. For single lane roundabouts, RRFB's may be considered, depending on site-specific factors including location, traffic volume, and speed.
- (e) Roundabouts shall not be used on significant grades.
- (f) Wider circulating lane width or truck aprons need to be considered where transit vehicles, large trucks and emergency vehicles will frequently use the roundabout. Transit and emergency vehicles shall fit within the asphalt, while large trucks may use a truck apron.
- (g) For urban roundabouts the design vehicle shall be buses and emergency vehicles, and the control vehicle shall be trucks.

### 2.3.2 Intersection Design for Pedestrians

As the most vulnerable users, the safety and convenience of pedestrians must always be considered in intersection design, and should be assigned priority in the context of pedestrian oriented land uses, where appropriate. Pedestrian oriented design depends on the street context and shall consider:

- (i) Lower motor vehicle speeds, using design controls.
- (ii) Reduced exposure to risk and conflicts, with clear visibility, shorter crossing distances, and adequate crossing time.
- (iii) Accessibility using curb ramps or depressed curbs, tactile walking surface indicators, accessible pedestrian signals, and sufficient walk time for all ages and abilities.
- (iv) Adequate sidewalk and crosswalk widths given pedestrian volumes and the street context.
- (v) Signalized crossing opportunities.



### 2.3.3 Intersection Design for Bicycle Facilities

This section should be read in conjunction with section 2.1.4 – All Ages and Abilities (AAA) Bikeways, and section 2.2.3 – Bicycle Facility Planning and Design.

At all intersections, pavement markings, signage and signals provide direction to all users for path of travel and right-of-way priority. A bicycle is considered a motor vehicle in the Nova Scotia Traffic Safety Act. Bicyclists should have the same or better right-of-way priority as other vehicles travelling parallel. Intersection design contributes significantly to the overall quality and safety of a bicycle facility. Priorities for bicyclist design in intersections include:

- Minimizing exposure to conflicts;
  - Reducing speeds at conflict points;
  - Identifying and communicating right-of-way priority;
  - Providing adequate sight distance; and,
  - Infrastructure to support bicycle operation, such as bicycle signals, bicycle boxes, etc.
- (a) Design of intersections that connect bicycle facilities will depend on the type of bicycle facility. For example, a protected bicycle lane should incorporate the protection into the intersection. Painted bicycle lanes may not require protection at the intersection. Multi-use pathways and local street bikeways have intersection options that are specific to these facility-types.
- (b) Where a high volume of vehicles, bicyclists, or pedestrians is expected or observed, separate designated crossing areas may be required.
- (c) Bicyclists must remain visible to other vehicles through an intersection.

#### 2.3.3.1 Elements of Protected Bikeway Intersections

The following elements in combination are used in protected bikeway intersection design. These may be used in different combinations depending on the facility type, intersection configuration and available area. Figure 2.3.1 illustrates the elements of a protected bikeway intersection.

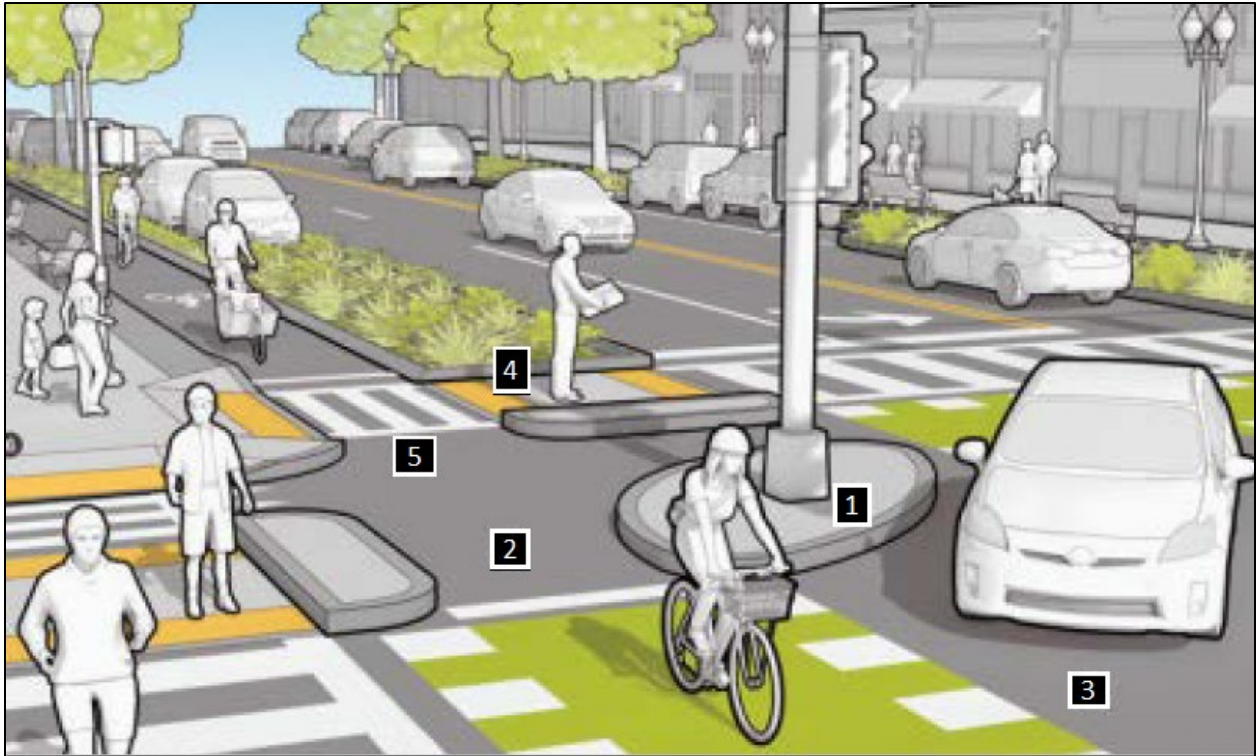


Figure 2.3.1- Protected Bikeway Intersection (Source: MassDOT)

- (1) *Corner Refuge Island*: allows the bicycle lane to be physically separated up to the intersection crossing point. Protects bicyclists from right turning vehicles.
- (2) *Forward Bicycle Queuing Area (Bike Box)*: provides space for stopped bicyclists in front of vehicles, within view of vehicles waiting at the stop bar. They shall be 2 m in length and minimum 2 m in width.
- (3) *Yield Zone*: provides space for yielding during turns.
- (4) *Pedestrian Crossing Refuge Island*: space between the street and protected bicycle lane where pedestrians can queue.
- (5) *Pedestrian Crossing of Bicycle Lane*: provides indication of preferred crossing location to pedestrians and provides indication to bicyclists that pedestrians have the right-of-way.
- (6) *Two-Stage Turn Queue Box (not pictured)*: is most suitable where protected bicycle lanes continue up to an intersection. Provides a designated space for bicyclists to wait while performing a two-stage turn across a street. They shall be minimum 2 m deep, with width depending on bicycling volumes. Right turns on red must be restricted for vehicles.

**2.3.4 Intersection Design for Transit Priority**

This section should be read in conjunction with section 2.1.5 – Designing for Transit, and section 2.2.4 – Transit Priority Measures.

Transit priority measures at intersections may include but are not limited to:

- (1) *Queue jump lanes* are short dedicated transit facilities leading up to intersections, allowing buses to enter traffic flow on the opposite side of the intersection at the head of the queue. Queue jump lanes are most effective when combined with transit signal priority to allow buses to cross the intersection and re-enter the travel lane before other vehicles. Queue jump lanes can be combined with right-turn lanes on intersection approaches without regularly occurring right-turn queues.
- (2) *Turn restrictions* are prohibitions on vehicles from making right or left-turns at an intersection. Turn restrictions can be used strategically to improve transit performance by limiting delay due to slow turning vehicles, while also reducing conflict points that can improve pedestrian and bicycle safety.
- (3) *Transit signal priority at intersections* is technology based on communication between transit vehicles and intersection signal controllers that can be used to provide transit signal priority at intersections, reducing transit delay. Transit signal priority can be used alone or in conjunction with physical infrastructure measures such as transit priority lanes (Section 2.2.4) to provide more reliable transit service on a street.

## 2.4 CROSS SECTION ELEMENTS

### 2.4.1 Right-of-Way

It is important to consider context of a street when re-allocating space for today's design needs. Due to the historic design of many streets in HRM, space can be limited, compared to more spacious right-of-way available in newer areas.

The cross sections for street classifications in Part B show a range of values for each element of the right-of-way. These are provided in order to ensure that the right-of-way is used to its full potential.

Guidelines for right-of-way use are as follows:

- (a) Narrow lanes and roads are desirable, and wider dimensions for lanes are the exception rather than the default. Narrowing of travel lanes should be designed considering safety, capacity, and winter maintenance requirements to reduce the amount of asphalt surface, to reduce the pedestrian crossing distance, and to dedicate right-of-way allowance for other elements. It is expected that the Engineer of Record will use their design expertise to fit elements that meet the desired needs.
- (b) With the exception of lane widths, the use of minimums for right-of-way elements will be considered for retrofit situations when striving to fit an element in the right-of-way that wasn't originally planned, but is now required to advance the goals of a municipally approved plan (e.g. *Integrated Mobility Plan, Active Transportation Priorities Plan, Rapid Transit Strategy, or Moving Forward Together Plan*).
- (c) Allowable minimums for individual cross section elements are provided to allow for compromises of the combined elements in constrained retrofit situations. Avoid

combining the use of minimums wherever possible. Minimum values for multiple or all elements of the cross sections will only be considered in constrained areas and for short distances where possible.

- (d) The Municipality may require a greater width of right-of-way to facilitate additional vehicles, transit, active transportation, green space, construction and/or maintenance requirements.
- (e) Bicycle infrastructure may be required on any street type listed below, in coordination or continuation of the networks identified on the maps of Proposed All Ages & Abilities Bicycle Network (Figure B-1) and Priority Connections for Multi-Use Pathways (Figure B-2) in Appendix B.
- (f) Additional right-of-way may be required for additional travel lanes and turning lanes beyond what is shown in the cross sections in Part B may be warranted based on a Traffic Impact Assessment.
- (g) In retrofit situations, compromises may be required for boulevard width, snow storage, parking, bike infrastructure, etc., and engineering judgement and safety must be taken as high priorities when these compromises are needed.
- (h) If required, the Municipal Engineer shall make the decision on the final cross section design.

Table 2.8 lists the street typologies and the corresponding subsection references.

<b>Table 2.8 Street Rights-of-Way</b>	
<b>Street Typologies</b>	<b>Document Subsection</b>
Regional Centre Residential - Local	2.4.2.1 (1) (a)
Regional Centre Residential - Minor Collector	2.4.2.1 (1) (b)
Regional Centre Residential - Major Collector	2.4.2.1 (1) (c)
Regional Centre Commercial / Mixed-Use - Local	2.4.2.1 (2) (a)
Regional Centre Commercial / Mixed-Use - Minor Collector	2.4.2.1 (2) (b)
Regional Centre Commercial / Mixed-Use - Major Collector	2.4.2.1 (2) (c)
Regional Centre Commercial / Mixed-Use - Arterial	2.4.2.1 (2) (d)
Suburban - Local	2.4.2.2 (1)
Suburban - Minor Collector	2.4.2.2 (2)
Suburban - Major Collector	2.4.2.2 (3)
Suburban - Arterial	2.4.2.2 (4)
Rural - Local	2.4.2.3 (1)
Rural - Minor Collector	2.4.2.3 (2)
Rural - Major Collector	2.4.2.3 (3)
Rural - Arterial	2.4.2.3 (4)
Industrial - Local	2.4.2.4 (1)
Industrial - Minor Collector	2.4.2.4 (2)
Industrial - Major Collector	2.4.2.4 (3)
Industrial - Arterial	2.4.2.4 (4)

## 2.4.2 Right-of-Way Allocation by Street Type

This section highlights cross section requirements for each street type and should be used with the details in Part B. Refer to relevant sub-sections in this chapter for further guidance on individual elements.

### 2.4.2.1 Streets in the Regional Centre

While all streets must be designed with the safety and convenience of pedestrians in mind, Regional Centre streets are to be designed with a “Pedestrians First” approach, as adopted in the *Centre Plan*.

Generally, these streets already exist within the network but may be subject to retrofit design. Depending on the goals of a retrofit project, and the space available, trade-offs are often required. For example, if a protected bicycle lane is needed on an existing street, a reduction in boulevard width or parking may be required.

## **(1) Regional Centre Residential Streets**

Regional Centre Residential Streets are located within the Regional Centre and feature low density or multi-unit dwellings with little to no commercial uses.

### *(a) Regional Centre Residential Local:*

Regional Centre residential local streets are typically two-way local roads consisting of a wide, “shared” lane with no painted centre-line. Local roads in residential neighborhoods typically have low vehicular volume and speed.

On-street parking is typically permitted on at least one side of local streets. With parking on one or both sides, these may function as “yield streets”. This means the shared lane is wide enough to accommodate both vehicle directions but narrow enough that they must slow down before passing each other. If one or both vehicles passing is larger than a standard passenger car, one vehicle will need to yield to let the other pass. Periodic opportunities for passing should be provided, such as at driveways, or by occasionally restricting curbside use, approximately every 50 m.

In most cases, the boulevard is grassed and should be wide enough to provide adequate soil volume for street trees. The sidewalk is a minimum of 1.5 m wide, but based on available space and expected pedestrian volumes from connecting areas could be up to 1.8 m wide. Any remaining space available between the sidewalk and abutting property is the frontage zone, typically 0.5 m wide. Some existing streets of this type have no sidewalks. A retrofit of these streets would seek to add a minimum of 1.5 m sidewalk on one side, where possible / required.

### *(b) Regional Centre Residential Minor Collector:*

Regional Centre residential minor collectors may have parking on one or both sides, or parking may be permitted in off-peak hours. Where turn lanes are required, they should be formed by removing curbside uses in the area.

In most cases, the boulevard is grassed and should be wide enough to provide adequate soil volume for street trees. The sidewalk is a minimum of 1.5 m wide but based on available space and expected pedestrian volumes could be up to 1.8 m wide. Any remaining space available between the sidewalk and abutters is the frontage zone, typically 0.5 m wide.

### *(c) Regional Centre Residential Major Collector:*

Regional Centre residential major collectors may have frequent bus and truck traffic. Parking may be on one or both sides, or may be permitted in off-peak hours. Where turn lanes are required, they should be formed by removing curbside use / parking in that area.

In most cases, the boulevard is grassed and should be wide enough to provide adequate soil volume for street trees. The sidewalk is a minimum of 1.5 m wide, 1.8 m preferred, but based on

available space and expected pedestrian volumes could be up to 2.1 m wide. Any remaining space available between the sidewalk and abutters is the frontage zone, typically 0.5 m wide.

## **(2) Regional Centre Commercial / Mixed Use Streets**

Regional Centre commercial / mixed use streets are located within the Regional Centre and feature low-density or multi-unit dwellings mixed with commercial uses, or primarily commercial use with little to no residential dwellings. Generally, these streets already exist within the street network and are subject to retrofit design. Increases to frontage zones should be considered where sidewalk cafes and patios are expected. For all Regional Centre Commercial / Mixed Use streets, the frontage zone may be up to 3.0 m wide to allow for sidewalk patios and signage for businesses.

### *(a) Regional Centre Commercial / Mixed Use Local:*

The travel way for Regional Centre commercial / mixed use local streets will need to accommodate trucks for delivery. These streets may have a designated parking lane on one or both sides for loading and on-street parking.

The boulevard will typically be hard surfaced and feature furniture and street trees, but may be grassed and feature street trees. See Chapter 3 – Streetscape Elements for more guidance on furnishings and finishes in the boulevard. The sidewalk is a minimum of 1.5 m wide, and based on available space and expected pedestrian volumes, could be up to 2.1 m wide.

### *(b) Regional Centre Commercial / Mixed Use Minor Collector:*

Regional Centre commercial / mixed use minor collectors may have transit and truck traffic. These streets may have a designated parking lane on one or both sides for loading zones and on-street parking. Where turn lanes are required, they should be formed by removing curbside use / parking in that area. Where curbside bus lanes are present, these curbside uses may be restricted.

The boulevard will typically be hard surfaced and feature furniture and street trees, but may be grassed and feature street trees. See Chapter 3 – Streetscape Elements for more guidance. The sidewalk is a minimum of 1.8 m wide, but based on available space and expected pedestrian volumes, could be up to 2.1 m wide.

### *(c) Regional Centre Commercial / Mixed Use Major Collector:*

Regional Centre commercial / mixed use major collectors frequently have transit and truck traffic, and so have larger minimum lane widths. These streets may have two to four travel lanes, based on available area and/or as determined by a Traffic Impact Assessment. These streets may have a designated parking lane on one or both sides for loading zones and on-street parking. Where turn lanes are required, they should be formed by removing parking or

loading in that area. Where curbside bus lanes are present, these curbside uses may be restricted.

The boulevard will typically be hard surfaced and feature furniture and street trees, but may be grassed and feature street trees. See Chapter 3 – Streetscape Elements for more guidance on boulevard furnishings. The sidewalk is a minimum of 1.8 m wide but based on available space and expected pedestrian volumes could be up to 2.1 m wide.

(d) *Regional Centre Commercial / Mixed Use Arterial:*

Regional Centre commercial / mixed use arterial streets have frequent bus and truck traffic, and so have larger minimum lane widths. These streets may have two to four travel lanes, as determined by a Traffic Impact Assessment. These streets may have a median to control access, which will be grassed with street trees. These streets may have a designated parking lane on one or both sides to support curbside uses. Turning lanes, where required, may be formed by reducing the median width, or may be in addition to the median. Where curbside bus lanes are present, these curbside uses may be restricted.

The boulevard will typically be hard surfaced and feature furniture and street trees, but may be grassed and feature street trees. See Chapter 3 – Streetscape Elements for more guidance. The sidewalk is a minimum of 1.8 m wide but based on available space and expected pedestrian volumes could be up to 2.1 m wide.

#### 2.4.2.2 Suburban Streets

Suburban streets are located outside the Regional Centre. While new streets in HRM are often suburban, the Municipality has a significant network of existing suburban streets, which would be subject to retrofits. They are typically new designs but are sometimes subject to retrofit. For all suburban streets, the frontage zone should be 0.5 m wide.

(1) *Suburban Local:* Suburban local streets are typically two-way local roads consisting of a wide, “shared” lane with no painted centre-line. Local roads in residential neighborhoods typically have low vehicular volume and speed.

On-street parking is typically permitted on at least one side of local streets. With parking on one or both sides, these are intended to function as “yield streets”. This means the shared lane is wide enough to accommodate both vehicle directions but narrow enough that they must slow down before passing each other. If one or both vehicles passing is larger than a standard passenger car, one vehicle will need to yield to let the other pass. Periodic opportunities for passing should be provided, such as at driveways, or by occasionally restricting curbside use, approximately every 50m.

In most cases, the boulevard is grassed and should be wide enough to provide adequate soil volume for street trees. The sidewalk is a minimum of 1.5 m wide, but based on available space and expected pedestrian volumes from connecting areas could be up to 1.8 m wide. Any



remaining space available between the sidewalk and abutting property is the frontage zone, up to 0.5 m wide. Some existing streets of this type have no sidewalks. A retrofit of these streets would seek to add a minimum of 1.5 m sidewalk on one side, where possible / required.

Localized widening of the frontage zone may be required where community mailboxes are required.

(2) *Suburban Minor Collector*: Suburban minor collectors are typically residential streets. They may allow for parking on one or both sides of the street. Where turn lanes are required, they should be formed by removing curbside use / parking in that area. In most cases, the boulevard is grassed and should be wide enough to provide adequate soil volume for street trees. The sidewalk is a minimum of 1.5 m wide but based on expected pedestrian volumes could be up to 1.8 m wide. It would be acceptable to have sidewalk on one side and a multi-use pathway on the other.

(3) *Suburban Major Collector*: Suburban major collectors have transit and truck traffic, and so have wider lane widths. These streets may have limited on-street parking. Turning lanes are to be included where required. The boulevard will be grassed and wide enough to provide adequate soil volume for street trees. The sidewalk is a minimum of 1.5 m wide but based on expected pedestrian volumes could be up to 1.8 m wide. It would be acceptable to have sidewalk on one side and a multi-use pathway on the other.

(4) *Suburban Arterial*: Suburban arterial streets must accommodate transit and truck traffic, and so have wider lanes. This street may have a median for controlled access. Parking is restricted on this street type. Turning lanes, where required, may be formed by reducing the median width, or may be in addition to the median. The boulevard will be grassed and wide enough to provide adequate soil volume for street trees. The sidewalk is a minimum of 1.5 m wide but based on expected pedestrian volumes could be up to 1.8 m wide. It would be acceptable to have sidewalk on one side and a multi-use pathway on the other.

#### 2.4.2.3 Rural Streets

While not typical to rural cross sections, sidewalks may be appropriate in “rural village” settings. The Municipality is working to develop a “rural village street” typology for the next update to these guidelines.

(1) *Rural Local*: Rural local streets are typically residential streets. They shall consist of two lanes, with gravel shoulders.

(2) *Rural Minor Collector*: For rural minor collectors, turning lanes are to be included as required by a Traffic Impact Assessment. A multi-use pathway is required, which is typically located outside the ditch.

(3) *Rural Major Collector:* For rural major collectors turning lanes are to be included as required by a Traffic Impact Assessment. A multi-use pathway is required, which is typically located outside the ditch.

(4) *Rural Arterial:* Rural arterial streets may have additional travel lanes or turning lanes if warranted by a Traffic Impact Assessment. A multi-use pathway is required, which is typically located outside the ditch.

This street may require medians if controlled access is necessary. If a median is present, turning lanes can be formed by reducing the median width in that area. Medians shall be depressed vegetated swales and shall include trees.

#### 2.4.2.4 Industrial Streets

Streets located in industrial areas accommodate frequent truck traffic and sometimes transit, and therefore require wider lanes and radii to accommodate specific design vehicles based on use, e.g., oversized loads. Industrial uses often generate pedestrians, and therefore require sidewalks for pedestrian connectivity.

For all Industrial street types, the boulevard shall be grassed and wide enough to provide adequate soil volume for street trees. A multi-use pathway may be used in lieu of a sidewalk to accommodate active transportation.

(1) *Industrial Local:* A large proportion of the traffic on an industrial local street will be truck traffic. Sidewalks should be provided on one side at minimum, or both to provide connections for pedestrians to destinations or bus stops.

(2) *Industrial Minor Collector:* A large proportion of the traffic on an industrial minor collector will be truck traffic, and sometimes transit. Turning lanes are to be included as required. Sidewalks should be provided on one side at minimum, or both to provide connections for pedestrians to destinations or bus stops.

(3) *Industrial Major Collector:* Industrial major collectors must accommodate frequent truck traffic, and sometimes transit. Parking is restricted on this street type. Additional travel lanes or turning lanes may be required as warranted by a Traffic Impact Assessment. Sidewalks shall be provided on both sides.

(4) *Industrial Arterial:* Industrial arterials must accommodate frequent truck traffic, and transit. Parking is restricted on this street type. Industrial arterial streets may have additional travel lanes or turning lanes as warranted by a Traffic Impact Assessment.

This street may require medians if controlled access is necessary. If a median is present, turning lanes can be formed by reducing the median width in that area. Medians should be vegetated and include trees. Left turns from driveways may be limited in this area due to the frequency of larger and slow-moving vehicles. Sidewalks shall be provided on both sides.

### 2.4.3 Lane Width

- (a) The lane widths for locals, collectors and arterials shall be in accordance with the details in Part B. Lane widths adjacent to concrete curb and gutter shall be measured from the edge of gutter.
- (b) Narrow lanes and roads are desirable, and the wider dimensions within any ranges available are the exceptions rather than the defaults, to accommodate uses as required.
- (c) The minimum parking lane width shall be 2.4 m from face of curb. Parking lane widths include gutter pan, if present. If there is no gutter, minimum parking lane width shall be 2.4 m measured from face of curb. The decision on parking allowances rests with the Municipal Engineer.
- (d) The minimum lane width for lanes carrying transit and on truck routes is 3.3 m, not including gutter.

### 2.4.4 Shoulders (Roads with Rural Cross Sections)

Shoulders play an important part in road without curb and gutter. Having a gravel shoulder supports road drainage, provides a buffer between the travel portion of the road and the ditch, and eliminates the problem of undermining when asphalt is placed to the top of the back slope.

- (a) The minimum shoulder width (inclusive of shoulder rounding) for all rural roads shall be 1.5 m.
- (b) Additional width of gravel shoulder may be required when guiderails are used. Shoulder gravel rounding must be 1.0 m minimum where guiderails are required.
- (c) Where the grade of the road exceeds 7%, an asphalt swale is to be installed along each side of the road (abutting the asphalt travel way) with a runoff to the ditch every 30 m. At the discretion of the Municipal Engineer, the swale may be omitted from one side of the road if the road is graded to allow appropriate drainage (see detail in Part B).

### 2.4.5 Concrete Curb and Gutter (Roads with Urban Cross Sections)

Curb and gutter play important roles in storm water management, provide a barrier for adjacent vulnerable road users and street elements such as poles, signs, trees etc. The gutter detail at pedestrian ramps, placed according to details in Part B provides an additional cue for visually impaired pedestrians to know they are entering a street. Concrete curb also provides a solid edge for snow removal equipment to follow during clearing events.

All concrete shall be placed in accordance with the details in Part B and the *HRM Supplementary Specifications* and may be subject to a Quality Management Plan during cold weather, as directed by the Municipal Engineer.

### 2.4.6 The Pedestrian Realm

The term 'pedestrian realm' refers to the part of the road right-of-way that is above the curb, and can be divided into a series of zones, each of which serve a distinct function (Figure 2.4.1).

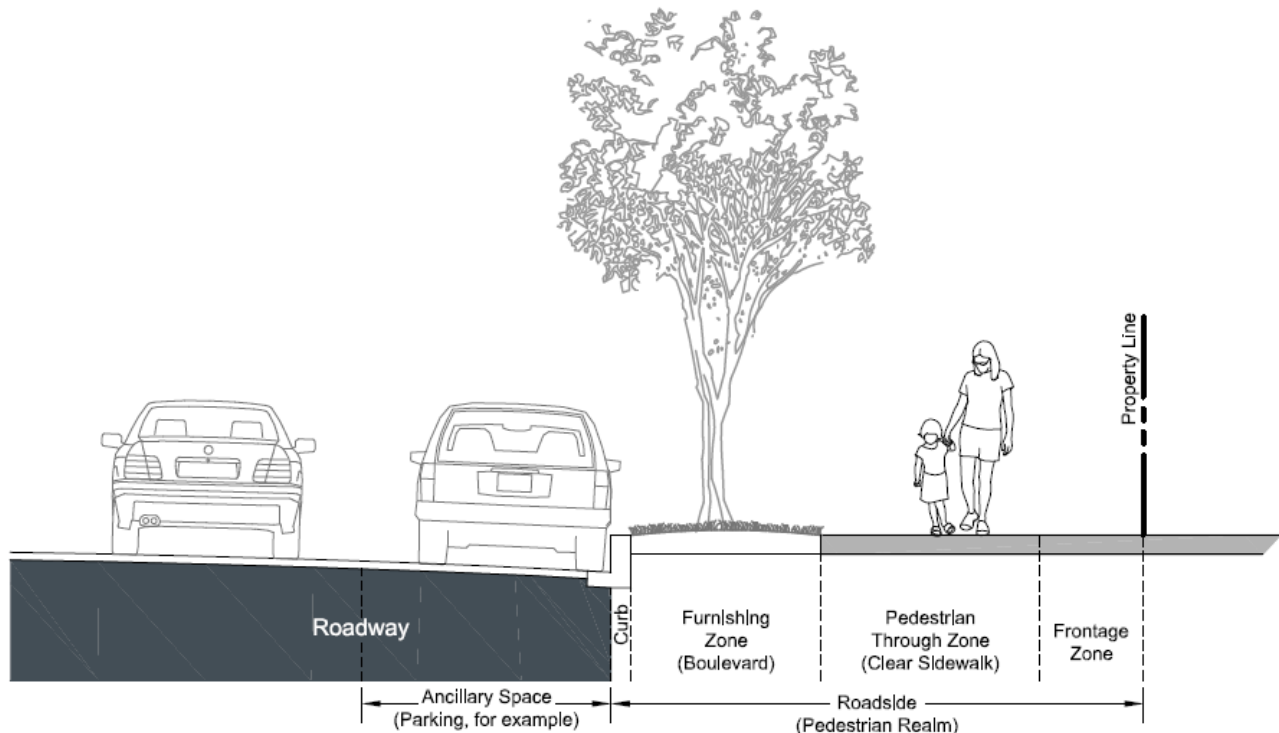


Figure 2.4.1- Zones of a Representative Urban Roadside

#### 2.4.6.1 Boulevard / Furnishing Zone

Boulevard refers to the space between the pedestrian through zone (sidewalk) and the curb when it has a 'soft' surface (e.g. grass). This area is also referred to as a furnishing zone when it has a 'hard' surface (e.g. concrete, unit pavers, etc.).

On most streets this zone consists of grass planted with trees, but it is also occupied by various streetscape elements such as signs, poles, bus stops and shelters, benches, and bicycle racks. This area is also used for snow storage. See section 2.4.2 – Right-of-Way Allocation by Street Type, and the details in Part B for further guidance on required boulevard widths (which are measured from back of curb). See Chapter 3 – Streetscaping for further guidance on streetscaping requirements for this area.

The decision whether to 'harden' the boulevard is informed by several factors and will be made at the discretion of the Municipal Engineer when some or all the following conditions are present:

- (a) Boulevards are too narrow to support vegetation (i.e. less than 1.0 m);
- (b) Where high foot traffic has made the use of grass boulevards impractical (due to high pedestrian volumes wearing down the grass):

- (i) Commercial frontages at ground level in pedestrian oriented areas (see section 3.1);
- (ii) High turnover in curbside activities (on-street parking/ loading)
- (iii) Special edge treatments (e.g. unit pavers) are required in accordance with Figure B-5 in Appendix B (see section 3.2.3)

When the boulevard is hardened, hardscape tree planting options will be required in the furnishing zone (see sections 5.4.2 and 5.5) unless tree planting in the frontage zone is a viable option.

#### 2.4.6.2 Pedestrian Through Zone

The pedestrian through zone is reserved for the movement of people walking and wheeling (see section 2.2.2).

- (a) This area shall be free of obstructions and generally consists of smooth broom finished concrete to support accessibility, easy maintenance, and a surface free of irregularities, though special treatments are sometimes desired (see section 3.2.2 and Figure B-5 and Figure B-6 in Appendix B).
- (b) The width of this zone is related to the adjacent roadway and land use characteristics, as well as pedestrian volumes:
  - (i) The minimum width of 1.5 m is appropriate for areas of low pedestrian volume such as local residential streets and car-oriented commercial and industrial areas.
  - (ii) Widths of 1.8 m are preferred on streets with bus stops, as well as collector and arterial roadways.
  - (iii) In pedestrian oriented areas, particularly of a commercial or institutional nature, minimum widths of 2.1 m shall be provided, or more if volumes exceed 400 pedestrians in the peak 15 minutes.

#### 2.4.6.3 Frontage Zone

The remaining part of the pedestrian realm, between the pedestrian through zone and the property line (or in the case of rural cross sections, between the ditch and the property line), may range in width from 0.5m and upwards (as shown in the details in Part B), and may be used flexibly:

- It may be needed for functional purposes such as stubbing of utility pole anchors / guy wires (for stability), as a buffer for sidewalk repair or ditch maintenance, as well as for snow storage.
- It can serve as the location for additional streetscaping elements, removing them from harm's way, as this area is less prone to vehicle damage (especially in winter). This is also a good location for trees, but only when the size of abutting building setbacks combined with the size of frontage zone are equal to or greater than the expected

mature canopy diameter of the selected tree. In such cases, front yard setbacks may contribute to the soil volume available for tree growth, and result in larger, healthier trees.

- Subject to applicable by-laws, a frontage zone can be used for commercial spill out (i.e. sidewalk cafes, retail displays, etc.).
- In exceptionally constrained retrofit circumstances, this zone may be omitted entirely at the discretion of the Municipal Engineer.

#### 2.4.7 Medians

Medians separate opposing lanes of traffic on divided roads and may serve to:

- Prevent turns and through-movements to and from intersecting streets which can reduce or eliminate cut-through traffic;
  - Enhance intersection safety by reducing potential vehicle movements and conflicts, particularly left turns;
  - Reduce risk of vehicle head-on collisions;
  - Enhance pedestrian safety by providing a refuge to allow the street to be crossed in stages;
  - Act as traffic calming elements or gateway features; and,
  - Beautify the streetscape with trees and/or vegetation, improving environmental quality and potentially incorporating stormwater infiltration.
- (a) The width for a raised median shall be 4.5 m. Under special circumstances, this may be reduced to 1.8 m at the Municipal Engineer's discretion, such as when turn lanes are developed at intersection approaches.
- (b) Median width shall be measured from face of curb to face of curb.
- (c) Medians may be omitted in retrofit cases where other elements are prioritized, at the Municipal Engineer's discretion.

#### 2.4.8 Driveways

Driveway openings provide vehicular access to private property but introduce conflicts with vehicles, bicycles, and pedestrians. Multiple driveways to individual lots and extra-wide driveways amplify these conflicts. *By-Law S-300 Respecting Streets* includes requirements for driveway location, width, and number intended to minimize such conflicts.

- (a) Driveway access shall be in accordance with *By-Law S-300 Respecting Streets*.
- (b) Driveway ramps for residential driveways shall be dropped curb.
- (c) High volume commercial driveways act as streets, and are therefore designed as intersections, including requirements for tactile walking surface. Curb radius returns may be permitted on high volume commercial driveways.
- (d) Driveway configuration shall incorporate the applicable road cross section elements including headwalls and culverts for rural cross sections and streets to accommodate

ditches. Driveways in rural areas incorporating concrete headwalls and culverts shall be in accordance with Halifax Water requirements and the details in Part B.

- (e) When a bicycle lane crosses a driveway, it shall be made clear that the bicycle lane continues across the driveway and that a bicyclist has right-of-way over entering or exiting vehicles. For protected bicycle lanes, a break in the barrier is required.
- (f) Continuity of sidewalk (material, cross slope, and width) shall govern with regards to driveways to not compromise the accessibility of the sidewalk.
- (g) Consideration of grades shall be accommodated on private property, such that grades within right-of-way meet the details in Part B.
- (h) Design of driveways shall consider use of adjacent space for municipal servicing requirements such as snow storage, green bins, etc.
- (i) In an urban area with limited frontage zone, driveway sight distance must be considered in early building design stages.
- (j) Driveway grades within the street right-of-way shall be minimized to match the street cross section, as close as possible.
- (k) A sidewalk crossing a driveway (pedestrian through zone) shall have a cross slope not greater than 2%.
- (l) The maximum grade for a residential driveway outside the right-of-way shall be limited to 15 percent. The maximum grade for commercial and industrial driveways shall be limited to 8 percent and shall transition as per the details in Part B.
- (m) For driveways and building access, the accessibility and continuity of connecting streets and sidewalks shall govern, i.e., accessible crossfall slopes of sidewalks shall govern over driveway slopes.
- (n) The Municipality is not obligated to approve the location of any existing curb cuts at any site subject to redevelopment (infill development). Existing driveway locations shall be modified in conformance with *By-Law S-300 Respecting Streets* upon redevelopment of a site.

#### **2.4.9 Roadbed**

- (a) Roads shall be typically centred within the right-of-way and shall have a cross-slope as indicated on the details in Part B. Auxiliary lanes and drainage must be taken into consideration for cross-slope break. In these cases, the crown of the road shall be between lanes.
- (b) The travel way and road surface widths for public roads shall be in accordance with the details in Part B.
- (c) On sections where a guide rail is required, the roadbed width shall be increased by one metre on the side where the guide rail is to be installed.

- (d) The designer shall assess the possible change in ground water movement caused by the development and shall be responsible for the design of corrective measures to prevent flooding or lowering of ground water table as a result of this ground water movement. If requested by the Municipal Engineer, the designer shall provide a report prepared by a geo-technical engineer of on the effectiveness of the proposed corrective measures.
- (e) A geotechnical report prepared by a professional engineer is to be submitted to the Municipal Engineer for review with the design drawings. The geotechnical report shall address the geological and hydrological aspects of the development and shall determine soil types.
- (f) The geological section of the geotechnical report required under clause (d) shall include but not be limited to identification of:
- slope stability,
  - presence of buried landfill,
  - sieve analysis representative of road subgrade;
  - rock types and elevations,
  - poor subgrade materials such as quick soils, swelling soils, deep fills and highly organic deposits,
  - highly erodible soils,
  - frost susceptible soils; and,
  - solutions to mitigate negative impacts.
- (g) The hydrological section of the geotechnical report required under clause (d) shall include but not be limited to the identification of groundwater level and underground streams, notwithstanding allowances to be made for groundwater levels determined during dry weather conditions. If it is probable that the existing subgrade to a depth of 1.5 m below finished grade may be subject to frost heave, the Engineer of Record shall identify solutions to prevent frost damage.
- (h) The street roadbed shall include as a minimum, the asphalt and gravel base structure shown on the details in Part B for the classification of road required. Additional granular materials may be required depending upon the subgrade type, which are defined as follows:
- Silt/Clay Option 1: refers to materials with more than 25 percent silt/clay size particles
  - Silt/Clay Option 2: refers to materials with more than 25 percent silt/clay size particles and are above optimum moisture content
  - Granular Till: refers to materials with less than 25 percent silt/clay size.
  - Rock Fill: refers to blasted rock fill.
  - Rock Fill, 100mm: refers to blasted rock fill meeting the following gradation:

Sieve Size (mm)	Percent Passing
100	100
5	25 - 80
0.08	0 – 10



- (i) For walkways, sidewalks, multi-use-paths and other hardscape structures in the right-of-way, the geotechnical report shall recommend the depth and type of material to provide for structural support of the walkway / sidewalk / trail.

#### **2.4.10 Paving**

- (a) All asphaltic concrete shall be designed and placed in accordance with the details in Part B and the *HRM Supplementary Specifications*.
- (b) *Asphaltic concrete* may be subject to a Quality Management Plan during cold weather, as directed by the Municipal Engineer.
- (c) Echelon paving shall be used for all lifts of asphaltic concrete on new street construction, and when practical on retrofits.

#### **2.4.11 Ditches**

- (a) Roadside ditches shall be constructed as per the details in Part B and Halifax Water requirements.
- (b) Ditches should be located within the right-of-way. In cases where grading of the ditch, such as false ditches, may require additional easements to help water reach drainage structure or outlet, provide any required easements outside right-of-way in favour of Halifax Water.

For further guidance on stormwater management, see Chapter 4 – Stormwater Management.

#### **2.4.12 Cut and Fill Slopes**

- (a) Steep slopes can create a hazardous situation and an on-going maintenance cost. The street and service systems are to be designed such that steep slopes are avoided if possible. More gentle slopes are preferable and steeper slopes may require guide rail.
- (b) For common excavation, side slopes in cuts shall be no steeper than 3:1 (horizontal to vertical) with the following exceptions:
  - (i) If the cut slope is 1.5 m or less in height (measured from top of ditch or top of curb), a 2:1 slope may be permitted.
  - (ii) If the cut slope is greater than 1.5 m in height, a 2:1 slope may be permitted if a geotechnical report is provided.
- (c) For rock excavation, side slopes in cuts shall be no steeper than 1:2 (horizontal to vertical). On rock cuts over 1.2 m high (measured from top of ditch or top of curb), a safety fence, as per the details in Part B, shall be provided on private property. On cuts greater than 1.2 m in height, a 1:1 slope may be permitted to waive the requirement for a safety fence.
- (d) All overhanging and loose rocks shall be removed from the slope. The Municipal Engineer may require slope stabilization of rock faces (e.g. wire mesh, shotcrete, etc) if unsafe conditions exist or the rock is susceptible to weathering. Geotechnical reports may be required to confirm stability of rock face.

- (e) Embankment slopes shall be a maximum of 2:1. More gentle slopes shall be required for less stable material.
- (f) For fill heights greater than 3 m with slopes steeper than 6:1, guide rails or other road safety measures will be required.
- (g) Cut slopes for rural roads that do not intercept existing grade within the street right-of-way shall be benched beginning at street line for a distance of 3 m before the cut slope continues.
- (h) The right-of-way shall extend to the backslope of the daylight ditch and/or bottom of fill slope, to prevent location of part of the road bed structure on private property.
- (i) In all cases, the requirement for guide rail shall be reviewed. If required, guide rails shall be installed as per the details in Part B and the *HRM Supplementary Specifications*. Refer to section 2.4.16.
- (j) The Municipal Engineer may require certification from a geotechnical engineer that areas adjacent to streets or easements are and will remain stable.

#### 2.4.13 Guide Rails

- (a) In general, guide rails are to be provided on roads where fill heights exceed 3 m unless a slope of 6:1 can be provided.
- (b) Guide rails may also be required to provide protection from other hazardous areas such as bridge piers, overhead signs, bodies of water, rock cuts, culverts, transformers, etc.
- (c) Steel post guide rails shall be designed by an engineer to confirm embedment strength.
- (d) Guide rails shall be installed as per the details in Part B and *HRM Supplementary Specifications*.
- (e) Placement of guiderails shall not impede the pedestrian travelway.

#### 2.4.14 Signs

For regulatory and municipal signs:

- (a) Regulatory and municipal signs shall be included in the detailed design of any street, but the developer shall only be responsible to supply and install sign bases and posts; the Municipality will then supply and install the sign.
- (b) At the discretion of the Municipal Engineer, and as approved by the utility owning the pole, utility poles may be used for signs if they are in the appropriate locations.
- (c) Street name signs shall be erected at each intersection with one sign for each leg of the intersection and one post for each approach street. Refer to the details in Part B. Street name signs shall also be erected at the intersection of streets with pedestrian and multi-use pathways

For other signs in the right-of-way, refer to *By-Law S-801 Respecting Licensing of Temporary Signs*, and *By-Law E-200 Respecting Encroachments Upon, Under or Over a Street*, and applicable Land-Use By-Laws.

#### **2.4.15 Utilities in the Right-of-Way**

Utilities in the right-of-way shall be designed in accordance with the following:

- (a) All water mains, wastewater mains, stormwater mains, natural gas pipelines, electrical, communication and other such utilities located within the right-of-way must have Municipal approval with respect to location, prior to their installation.
- (b) The minimum pole setback shall be 450 mm from face of curb to near side face of pole for local urban roads and 600 mm for urban collectors and arterials. On rural roads, the pole shall be set at least 1 m beyond the outside edge of the ditch where a ditch exists, otherwise set poles 600 mm inside street line.
- (c) Refer to Chapter 9 for more information on utilities.

#### **2.4.16 Sodded Areas**

Sodded areas shall consist of a minimum of 150 mm of topsoil and sod. Hydroseed will be permitted on slopes beyond the right-of-way. More soil is required for landscaped or treed areas. See Chapter 3 - Streetscaping and Chapter 5 - Trees for more information.

#### **2.4.17 Vehicle Laybys**

In general, the use of vehicle laybys is not supported. They cause challenges for pedestrian crossing, snow clearing, street cleaning, and accessibility. Vehicle laybys will require a variance application to be considered by the Municipal Engineer. Vehicle laybys may be considered for transit time points, designated parking laybys, or on rural roads for community mailboxes, at the Municipal Engineer's discretion.

#### **2.4.18 Back-In Angle Parking**

Given the associated safety benefits, as well as the potential to create more on-street parking per length of curb, Back-in Angle Parking (BIAP) may be considered for on-street parking.

To consider Back-In Angle Parking on at least one side of the street:

- (i) Streets should be one-way, converted to one-way, or have medians between directions of travel;
- (ii) The acute angle of the stall must be in the same direction of traffic flow (to inhibit potential of 'drive-in' parking);
- (iii) Dimensions are shown in the details in Part B. These dimensions should be used as a guide, recognizing that:
  - a. Wider aisles may be required on primary routes for larger vehicles; and;
  - b. Turning requirements should be considered on all applications.

#### **2.4.19 Retaining Walls**

Retaining walls are not normally accepted as a means of handling grade differentials associated with streets or services in the Municipality.

Retaining walls can create a hazardous situation and an on-going maintenance cost as well as a future capital cost when the wall needs to be replaced. The street and service systems are to be designed such that retaining walls are avoided if possible.

In the extreme circumstances that a retaining wall is acceptable to the Municipality, the wall shall be designed in accordance with the following:

- (a) Retaining walls shall be designed by a professional engineer licensed to practice in Nova Scotia with due consideration given to soundness of material, stabilization, safety, maintenance and other relevant features.
- (b) As a minimum, retaining walls over 1 m in height must have a hand rail or safety fence incorporated into the design. The hand rail or safety fence must be a minimum of 1.05 m in height (see detail in Part B).
- (c) New retaining walls shall be designed with materials in accordance with *HRM Supplementary Specifications*. New retaining walls require certification to the Municipality's policy.
- (d) Retaining walls, including footings, shall be located on private property unless approved by the Municipal Engineer. Placement of retaining walls approved for the right-of-way shall not impeded the pedestrian travelway.
- (e) Wall material must be reinforced earth or concrete, or blocks. Loose stone stacked walls and boulder walls will not be accepted.

#### 2.4.20 Community Mailboxes

Community Mailboxes are managed by Canada Post. Design and locations shall be in accordance with the following:

- (a) Community mailboxes shall be located within the right-of-way, or parkland if approved by the Municipal Engineer, and shall be designed according to Canada Post standards.
- (b) Community mailboxes shall be located on local streets wherever possible, on the side with sidewalks to ensure accessibility. Laybys may be required on rural local road applications (see detail in Part B).
- (c) Community mailbox locations shall not be located
  - (i) within 30 m of a street intersection controlled by traffic signals,
  - (ii) within 30 m of the intersection of a major street,
  - (iii) within 8 m of the intersection of a local street,
  - (iv) 3 m from any driveway,
  - (v) 9 m from any intersection,
  - (vi) 5 m from any hydrant,
  - (vii) 5 m in front of or 24 m behind a bus stop,

- (viii) 2 m from any utility pole or other above ground utility device, or,
- (ix) 1 m from any utility pole anchor.

#### 2.4.21 Bridges

Halifax Water and the Municipality define “bridge” as “*a structure or structures erected over a water course or a drainage course, and having a passageway for carrying traffic or other moving loads within a road or street owned by the Municipality, and having an opening or span of greater than 3 meters.*” A span of 3 meters or less is considered a culvert, and would typically be managed by Halifax Water.

In addition to supporting vehicular traffic over obstacles, the Municipality may use bridges to separate pedestrian or active transportation facilities from vehicular traffic.

Bridges shall be designed in accordance with the following:

- (a) Bridges, including active transportation bridges and pedestrian bridges, shall be designed in accordance with the latest edition of the CSA Canadian Highway Bridge Design Code.
- (b) New bridges accepted by the municipality shall conform to the Halifax Bridge Certification Policy.
- (c) Bridges over water may require permits from other agencies having jurisdiction over the body of water. It is the responsibility of the developer to contact other agencies.
- (d) Bridge material must be reinforced concrete. Timber bridges may be accepted for smaller Active Transportation bridges. Timber bridges will not be accepted for vehicular bridges.

## 3.0 STREETS CAPING

### 3.1 INTRODUCTION

The main way that people form an image of a city is by travelling along its streets. Streets are a component of the public realm, and like municipal parks and open spaces, are available for everyone to use. Street design can include aesthetic as well as practical considerations, in the same way that a building's design may have architectural as well as functional goals. Streetscaping can also support the Municipality's focus on transit, walking and bicycling by adding shade, places to rest, and beauty to the pedestrian realm.

This chapter carries out the direction of sections 9 and 10 of Regional Council's *Administrative Order 2020-012-OP "Regional Centre Streetscaping Administrative Order"*, to require municipal design guidelines for various streetscaping elements. The chapter also reflects the principles of the Municipality's policies such as *HalifACT*, *Centre Plan*, and the *Urban Forestry Master Plan*.

While elements like sidewalks, trees, and street lights are used on all types of urban streets, enhanced features (i.e. streetscaping) may be applied to streets with high **place** value, as these must support social and open space functions in addition to being corridors for movement. These streets are 'places' as well as transportation 'links' as discussed in Chapter 1 – General.

The palette of elements used in any given area can define its look and feel, distinguish it from others, broaden its functionality, and support opportunities for social interaction. This chapter describes how various surface treatments, furnishings and other amenities can be used to support a street's function as a part of the public realm. Additionally, see Chapter 5 – Trees for guidance on urban trees, which are the single most important element in any streetscape.

#### **High 'Place' Value**

*Pedestrian oriented 'districts' of a commercial, heritage, or institutional nature, especially on streets that form their spines ('main streets'); and in transitions from one place to another ('gateways');*

*Streets fronting regionally significant cultural or natural features (historic sites, waterfronts, parks);*

*Connections between regionally significant public places (i.e. major park to regional facility; streets with prominent views of landmarks or the water);*

*Streets with high pedestrian volumes (e.g. near major pedestrian generators i.e. transit, events)*

## 3.2 SURFACE TREATMENTS

This section describes how the materials of the pedestrian realm may be enhanced. Figure B-5 – Sidewalk Treatments and Furnishings, and Figure B-6 – Signature Streets in Appendix B identify requirements for how the frontage zone, pedestrian through zone, and furnishing zone must be treated in streetscaped areas. Section 2.4 – Cross Section Elements provides guidance on the width of these zones, which depends on the context.

### 3.2.1 Furnishing Zone Treatment

As described in section 2.4.6, the furnishing zone is located between the sidewalk and the curb and may require special surface treatments such as unit pavers to enhance area character where indicated on Figure B-5 – Sidewalk Treatments and Furnishings in Appendix B.

- (a) Special surface treatments as shown on Figure B-5 in Appendix B must be used when replacing 10 m or more of standard sidewalk (in length, along the curb) unless an exemption has been issued at the Municipal Engineer’s discretion because none of the conditions for requiring this zone to be ‘hardscaped’ are expected to exist. See section 2.4.6 for further guidance on the pedestrian realm.
- (b) The use of decorative materials in the furnishing zone beyond the areas shown in Figure B-5 in Appendix B may be considered on sidewalks fronting important civic landmarks such as parks or buildings, subject to the issuance of a variance, and provided arrangements have been made for maintenance.
- (c) Special furnishing zone treatments shall end in advance of curb ramps, which are an extension of the pedestrian through zone and should consist of poured concrete coupled with tactile walking surface indicators for accessibility.

### 3.2.2 Pedestrian Through Zone & Frontage Zone Treatment

While these zones generally consist of smooth broom finished concrete (see section 2.4.6) special sidewalk treatments may be required to enhance area character as shown on Figure B-5 – Sidewalk Treatments and Furnishings in Appendix B. These include exposed aggregate sidewalks, distinct scoring patterns and other accessible and cost-effective measures. The use of other materials in the pedestrian through zone, like unit pavers, is limited to a few signature streetscapes where special provisions for maintenance are in place, shown in Figure B-6 – Signature Streets, and Figure B-7 – Enhanced Maintenance Areas in Appendix B.

## 3.3 STREET FURNITURE AND AMENITIES

Street furniture and amenities provide for added comfort, convenience and enjoyment of pedestrian-oriented areas. They include elements like benches, bicycle racks, waste/ recycling bins, planters, bollards, public art, and more. These items encourage people to spend more time outdoors by providing areas to rest and socialize, help to keep the street orderly, and act as landmarks or simply elements to enjoy.

- (a) The space on sidewalks can be limited and amenities must not encumber the pedestrian through zone or impede drivers' vision, especially of pedestrians at intersections and other crossings.
- (b) Furnishing zones shall not be over crowded as clear space is required for access to the sidewalk for emergency responders, loading and deliveries, transit passengers, and other pick up / drop off needs, etc..
- (c) Provisions shall be in place for the maintenance of all features within the right-of-way. Maintenance requirements may change with seasonality. Therefore, some amenities may be seasonally driven.

The following guidelines are intended to assist with selecting and locating various streetscape amenities. In addition to the associated maps, various details are available to assist with confirming model type, colour, finish and other feature aspects.

### 3.3.1 General Guidelines

#### (1) Location

Street furniture and amenities are usually located in the furnishing zone (between the sidewalk and curb) but if there is space, they can also be placed in the frontage zone (between the sidewalk and private property) where they are less prone to damage by vehicles.

#### (2) Offsets

- (a) Where curbside parking/loading is available, the preferred minimum offset for amenities from the face of curb is 600 mm, although a minimum offset of 450 mm is acceptable for elements with small footprints, such as posts, bollards, or bicycle racks.
- (b) Amenities shall avoid infringing on the required pedestrian through zone (section 2.4.6), though this may be adjusted at the Municipal Engineer's discretion based on the need for the element in question, pedestrian volumes, and other factors.
- (c) The location of amenities shall avoid areas immediately opposite building entrances to avoid obstructing pedestrian flows in and out of buildings.
- (d) Street furnishings and amenities must not interfere with pick-up and drop-off at accessible parking spaces, bus stops, and taxi stands.
- (e) Streetscape elements must be a minimum of 1.5 m from fire hydrants and placement needs to consider impact to firefighting operations, including but not limited to the deployment of emergency vehicles, the positioning and use of both vehicle mounted and ground ladders, and the deployment of fire hose from hydrants or other water



supply points to emergency vehicles and from vehicles to locations in and around buildings.

- (f) Streetscape elements must be a minimum of 1.5 m from utility valves and placement needs to consider access to shutoff valves for water and natural gas lines.

(3) *Attachment to Sidewalk*

Street furniture shall be surface mounted to flat concrete surfaces (or concrete beneath the surface, if a unit pavers are present) with rust proof concrete anchors and tamper proof bolts.

(4) *Consideration of Sidewalk Patios*

Some streetscape elements will preclude opportunities for sidewalk patios. Should an adjacent restaurant or café make application for a sidewalk patio, they will be required to maintain an acceptable pedestrian through zone as per *By-Law S-1000 Respecting Sidewalk Cafes*.

(5) *Ownership and Maintenance*

Unless the amenity is approved as an encroachment under *By-Law E-200 Respecting Encroachments* or is subject to a Service Level Agreement between the Municipality and another party, such as a Business Improvement Association, all street furniture and amenities must be owned and maintained by the municipality.

(6) *Customization*

The municipality prefers consistency among streetscape elements to support ease of maintenance and replacement. However, custom amenities meeting the basic safety and functional requirements as described in this document, may be approved at the Municipal Engineer's discretion. Consideration may be given to custom amenities if they serve a dual role (for example, as art) or arise out of collaborative efforts to support placemaking initiated by local groups such as business or resident's associations. Unless they are installed as formal encroachments, ownership of such custom items will remain with the Municipality, who will not be bound to replace them if damaged or destroyed.

### 3.3.2 Seating

Seating contributes to the quality of the public realm by offering opportunities to linger in a space to rest, admire a view, socialize, read, or eat. Benches are a crucial component of age-friendly communities and encourage people of all ages and abilities to spend time outdoors.

- (a) To ensure they are maintained, benches in the right-of-way are considered at bus stops, along park frontages, and in Enhanced Maintenance Areas, as shown on Figure B-7 in Appendix B. Street furnishing styles may vary by area. Refer to Figure B-5 – Sidewalk Treatments and Furnishings to confirm the appropriate furnishing style for an area.
- (b) Seating is considered accessible at heights between 430 and 485 mm from the ground. Accessible seating should also have an adjacent firm area of 850 x 1350 mm clear

space that is not part of the route of travel, though this may not be achievable in many existing rights-of-way. Accessible seating should have clear space at the end of the seating for service dogs and people using wheelchairs, scooters, or strollers so they can sit alongside one another and with companions.

- (c) A variety of seating options shall be used to support a range of users and functions; e.g., benches with backs and armrests support age friendly communities, while backless benches offer choice in terms of which way to face. Providing places to sit roughly every 400 m also supports age friendly communities.
- (d) While there is no exact formula to guide the number, dimensions, or precise location of benches, the following guidelines shall be considered:
  - (i) Benches can be placed in the furnishing zone or the frontage zone.
  - (ii) When benches are parallel to the curb, they shall be oriented towards the sidewalk, offering a view of sidewalk life, and not of traffic.
  - (iii) Backless benches, or benches that need to face the street for some reason, shall be offset 1.0 m minimum from the face of curb.
  - (iv) Where sidewalk widths allow, the creation of social spaces is encouraged by placing pairs of benches or seats facing one another, oriented perpendicular to the curb.
  - (v) Benches under trees offer shade and comfort; at key scenic locations - a view.
  - (vi) Raised planters can offer informal seating opportunities.

### 3.3.3 Waste/ Recycling Receptacles

A litter free street is an important element in creating a welcoming streetscape. Properly sited receptacles make it easy to keep litter to a minimum, ensuring a pleasant experience along busy streets.

- (a) Receptacles must be emptied regularly and therefore are only considered in the right-of-way at bus stops and in Enhanced Maintenance Areas as shown on Figure B-7 in Appendix B, or where other arrangements for maintenance can be been made, such as park frontages.
- (b) While there is no formula to calculate the number or precise location of required receptacles, they are needed most in pedestrian-oriented commercial districts. Locations with many shops close to the sidewalk, high pedestrian volumes, busy crosswalks, near food vendors, at bus stops, in plazas, and outside entrances of major venues are all good candidates for the location of receptacles.
- (c) In busier areas, it may be beneficial to have receptacles at each end of a block, with more in the middle if block length exceeds 100 m.
- (d) Receptacles shall be separated from benches by 3 m to minimize nuisance smells for people enjoying public seating.

- (e) In addition to being anchored to a concrete surface, waste receptacles may be pole mounted. Pole mounted bins shall not overhang the street or sidewalk to minimize potential conflicts with parked vehicles street-side and pedestrians with visual impairments on the sidewalk side. Pole mount waste receptacles shall be mounted with the opening no higher than 1 m to insure accessibility, and will be marked with reflective paint/stickers to insure contrast visibility.

### 3.3.4 Bicycle Racks

Bicycle racks encourage using bicycles for transportation and provide an alternative to the use of other vertical elements as bicycle parking, such as trees, or handrails.

- (a) Bicycle racks shall permit the locking of a bicycle by the frame and the front wheel with a “U” lock and support the bicycle in a stable position with two points of contact.
- (b) Bicycle racks are installed in the right-of-way in pedestrian-oriented commercial or institutional areas. For single racks, the Municipality uses *post and ring* style racks and a series of inverted “U” racks are used for multi-racks. Refer to Figure B-5 in Appendix B to confirm the appropriate style for any given area. Refer to the details in Part B for details on bicycle racks.
- (c) Bicycle racks can be placed in the furnishing zone or the frontage zone. They should be located close to the doorway they are intended to serve, ideally less than 15 m away.
- (d) Bicycle racks shall be placed such that a bicycle locked to the rack does not infringe on the required pedestrian through zone.
- (e) Racks are typically placed so that bicycles are oriented parallel to the curb. Clustering racks with other vertical elements helps buffer them from vehicle damage, but they must be at least:
  - (i) 2.5 m from fire hydrants
  - (ii) 1.8 m from other bicycle racks and driveways
  - (iii) 1.0 m from other verticals (i.e. poles, newspaper boxes, bus shelters, benches, etc.)
  - (iv) 1.5 m from utility valves.
- (f) If the furnishing or frontage zone is at least 1.8 m wide, racks may be installed so that bicycles are oriented at an angle, or perpendicular to the curb. In such cases, racks shall be spaced a minimum of 1.0 m apart.
- (g) Other considerations for rack placement include visibility (areas with higher foot traffic improve security through casual surveillance); weather protection (awnings and building overhangs shelter racks); and avoiding conflicts with vehicle doors (by placing racks between on-street parallel parking spaces). Refer to the Association of Pedestrian and Bicycle Professionals Bicycle Parking Guide for more information.

### 3.3.5 Horticultural Plantings

Horticultural plantings consisting of shrubs, perennials, and ornamental grasses can add beauty, colour, and ecological value to streetscapes. Planting beds can be located at grade, or in raised planters. See Chapter 5 – Trees for further information on raised planters. Subject to several considerations described here, these may be included streetscapes in HRM.

This section applies to municipally maintained horticultural assets in the right-of-way, and not to “boulevard gardens” informally planted by residents, normally on local and minor collector streets.

#### (1) *Plant Health*

- (a) Appropriate site and species selection are critical to building resilient and aesthetically appealing streetscapes in a harsh roadside environment where issues of salt intrusion, soil volume and quality, and susceptibility to drought are paramount. Selected species must be able to withstand these conditions and endure wear and tear from pedestrian and vehicular traffic, but invasive species shall not be used. Planting locations shall aim to minimize these negative site conditions to the extent possible, as permanent irrigation systems will not be allowed in the right-of-way.
- (b) Horticultural plantings consisting of annuals within the right-of-way will not be accepted under the Streetscaping Program but may be installed in conjunction with the Municipality’s pilot projects or by other groups, such as Business Improvement Associations, if applicable service level agreements are in place. The location of containers for annuals should follow the general considerations for all streetscape elements contained in section 3.3.1.

#### (2) *Safety*

- (a) Streetscape plantings should improve the comfort of the pedestrian realm through additional buffering, while supporting safety by protecting sightlines.
- (b) On boulevards, the mature height of plants must be no higher than 1 m, or 600 mm if located within 10 m of intersections, or where visibility is otherwise a concern. Taller plants can be considered in medians, unless they are within 10 m of intersections.
- (c) In roundabouts, planting is encouraged for reasons of safety as well as urban design. Planting the central island adds delineation making it clear that the central island cannot be driven across; limits visibility and thereby reduces speeds; discourages pedestrians from crossing to the centre; and can be a distinguishing feature associated with place recognition, wayfinding, and district identity. The inner and outer portions of the central island will have different limitations on plant height based on sight distance required, and the height and width of these planting zones will depend on the size of the roundabout.

### (3) *Maintenance*

Unlike other streetscape assets, for which maintenance may be limited to periodic inspections and replacement when damaged, horticultural plantings require a regular program of pruning, weeding, mulching, litter removal, and occasionally watering – throughout each growing season.

- (a) Appropriate service level agreements must be in place prior to accepting any horticultural assets in the right-of-way. In addition to selecting suitable species for the site conditions described above, the following should be considered to reduce maintenance needs:
  - (i) The selection of spreading or mat-forming plants able to provide bed coverage and suppress weed establishment.
  - (ii) Mass plantings with limited number of species per bed are easier to maintain than highly diverse plantings.
  - (iii) Consideration of worker safety and minimizing traffic impacts of maintenance activities: i.e. consider leaving a setback from the road for maintenance and safety purposes as well as for containment of plant material and soil.

#### **3.3.6 Granite Curb**

The curbs of the older parts of the municipality were traditionally granite but, over time, have been incrementally replaced with modern concrete curb and gutter for several reasons (including cost). Granite is a beautiful and durable material that echoes the city's historic past. Fragments of granite curb remain in downtown Halifax, and there is an opportunity to protect what remains, and expand the use of granite in relation to certain historic districts.

- (a) As shown in Appendix B on Figure B-8 – Granite Curb, granite curb shall be maintained where extensive lengths (e.g. greater than half a block) still exist.
- (b) All new curb on the blocks surrounding Grand Parade and Province House must be granite.
- (c) Future signature streetscaping projects should consider the use of granite curbs, particularly in approved Heritage Conservation Districts (refer to Community Plan for area being considered).
- (d) Granite curbs shall be supported by concrete footings in accordance with the details in Part B.

#### **3.3.7 Bollards**

A bollard is a short vertical post or similar structure. Bollards may be used to define streetscape areas, visually separate or physically prevent motor vehicles from encroaching on pedestrian and bicycle spaces, protect other infrastructure from vehicles and/or maintenance activities, and to add colour and interest to streetscapes, and occasionally, to add pedestrian-scale lighting.

- (a) If intended to block vehicle access, bollards should be spaced 2 m apart. Otherwise, spacing will vary depending on context and purpose.

- (b) Where bollards are located adjacent to a pedestrian route or space, they shall:
  - (i) be colour-contrasted with their surroundings; and,
  - (ii) provide a clear width between bollards of at least 1.2 m to allow the passage of wheeled mobility aids where access is intended between the bollards.
- (c) Bollards used for streetscaping shall be made of materials with finishes that resist rust, corrosion and vandalism (e.g. galvanized, powder coated, stainless steel, concrete, granite).
- (d) There are rare instances of historic bollards existing within the right-of-way, mainly in older parts of the Regional Centre. In some cases, old cannons are used for this purpose, but others are of granite or cast iron. Historic bollards should be retained within the right-of-way, or may be relocated if required for reasons of accessibility or safety.
- (e) The use of bollards is not required, and arrangements must be in place for their maintenance before they are allowed in the right-of-way.

### 3.3.8 Single Tree Planters

In addition to the requirements below, Chapter 5.0 – Trees provides further guidance on tree planting including location, species, and hardscape options.

- (a) Single tree planters (approximately 1m x 1m x 1m) may be used in limited circumstances to add small trees to the pedestrian realm where underground conflicts prevent them from being placed in the ground.
- (b) Single tree planters must not block sightlines, and their use must be approved by the Urban Forester.

## 3.4 ORNAMENTAL STREET LIGHTS AND POLES

Street lighting serves to light the roadway as well as the pedestrian realm, and most critically, the areas where they intersect. It is important for both safety and aesthetic purposes. This section only deals with the subject of ornamental street lights. Chapter 7 provides the technical requirements for lighting levels, power supply and more.

The types of fixtures, poles, and bases to be used in each area are identified on Figure B-9 – Street Lighting Plan, in Appendix B.

### 3.4.1 Principles of Use

Ornamental poles and fixtures are used primarily where power and communications services are located underground or otherwise not visible near the ornamental poles and fixtures. When used in conjunction with a high density of wood poles and overhead wires, the impact of decorative poles is diminished, and their use can even degrade the appearance of a street by introducing clutter.

Ornamental street lights and poles are used to enhance the character of a district and to compliment other street furnishings. Street lights are not intended to match the lighting style of adjacent properties.

- (a) Existing utilitarian street lighting shall be replaced with ornamentals when:
  - (i) Significant lengths of sidewalk reinstatement are undertaken or required (30 m or more), and;
  - (ii) Overhead utilities are already underground (or required to be buried); and / or,
  - (iii) An ornamental style is specified on Figure B-9 – Street Lighting Plan in Appendix B.
- (b) Replacing existing light fixtures with ornamental poles and fixtures will trigger the need for a new lighting design to ensure minimum levels for safety and comfort continue to be met (see Chapter 7 – Street Lighting). This may result in the installation of additional poles as ornamental fixtures are typically mounted lower.
- (c) The municipality will avoid switching from one ornamental style to another along the same street, unless there is a logical transition in the character of the street.
- (d) In areas with overhead wires and wood utility poles, ornamental street lights may be considered on the side of the street without wood poles or may be arm-mounted to the wood utility poles. Wood poles are generally owned by utilities whose requirements for loading / attachment must be met.

### 3.4.2 Coordinated Traffic Signal Poles and Hardware

- (a) Black poles for traffic signals and signs, as well as black signal backing must be used in areas where ornamental street lighting is used. This coordinates with and compliments the effect of the decorative elements.
- (b) Black traffic signal and sign poles and backings shall be used in areas on Figure B-9 – Street Lighting Plan with the following street light styles:
  - Holophane Pechina
  - Holophane Washington
  - Lumec Square
  - Holophane Colombia Series
  - Holophane Teardrop
  - Schreder Yoa

### 3.5 SIGNATURE STREETSCAPES

Figure B-6 – Signature Streets in Appendix B identifies where numerous non-standard features are in use or approved, including but not limited to sidewalk and roadway materials, curb and parking area treatments, unique plantings, and furnishings. Significant investments have been made on these streets to support their roles as public spaces, and their integrity must be maintained.

- (a) When disturbed, these areas shall be re-instated with their original features.
- (b) Signature Streetscapes and their general components are illustrated on Figure B-6 in Appendix B but more detailed design guidance should be sought as needed when reinstating these areas following any disturbance such as utility cuts, or adjacent developments.



## 4.0 STORMWATER MANAGEMENT

### 4.1 GENERAL

A Storm Drainage System can be described as a group of interacting, interrelated, and interdependent elements carrying discharges in response to rain and snow. These discharges include overland flow, subsurface flow, groundwater flow, and snowmelt.

The Municipality is the administrator of subdivision and building construction in HRM. Within this context, and as empowered by the *Halifax Regional Municipality Charter*, the *Building Code Act*, and the *Planning Act*, it is an objective of the Municipality to facilitate and regulate the establishment of a complete and properly functioning Storm Drainage System to serve new building construction within HRM.

The Municipality works closely with Halifax Water on matters regarding stormwater. Stormwater drainage systems shall conform to *Halifax Water Regulations* and applicable bylaws. Halifax Water servicing standards for stormwater systems, "*Halifax Water Design Specifications*", can be found at <https://www.halifaxwater.ca/halifax-water-specifications-forms> .

Any Stormwater Drainage System within the core boundary of the Municipality shall be designed to achieve the following objectives:

- Prevent loss of life and to protect structures and property from damage due to a major storm event;
- Provide safe and convenient use of streets, lot areas and other land during and following rain and snow melt events;
- Adequately convey stormwater flow from upstream sources;
- Mitigate the adverse effects of stormwater flow, such as flooding and erosion, on downstream properties;
- Preserve natural water courses;
- Minimize the long-term effect of development on receiving watercourses; and,
- Provide safe, accessible outlet.

All stormwater drainage systems that discharge to a watercourse or wetland shall conform to any requirements established by NSE.

#### 4.1.1 Roles and Responsibilities

Several parties are typically involved in the design, construction, and maintenance of the Community Systems providing off-street drainage. Their roles and responsibilities within the context of this chapter of the Design Guidelines are described as follows:

*The Designer* is responsible for the preparation of the design of the Community Systems (see section 4.3), such that when construction of the design takes place, the objectives of these guidelines are met. In carrying out this responsibility, the Designer is to provide for adequate initial construction such that undue on-going maintenance obligations are not placed on the homeowner or Municipality. The Designer is fully responsible for the design regardless of the acceptance of the design by the Municipality.

*The Contractor* is responsible for constructing the Community Systems in accordance with the design and in a good and workmanlike manner. It is required that the Contractor not deviate from the design without prior consultation with the Designer. If unusual or unanticipated site conditions are encountered during construction, the Contractor shall advise the Designer immediately.

*The Subdivider* is the owner of the land proposed to be subdivided and includes anyone acting with the subdivider's consent. With respect to lot grading and drainage, the subdivider is responsible for construction of the Community Systems identified by the Municipal Engineer as being the subdivider's responsibility. This will include construction works within easements, be they public or private, and in certain instances will involve pre-grading of entire lot areas to prevent ponding of stormwater or other drainage problems. Construction of grades along common lot lines and grading of entire lots where community grading concerns do not exist will generally not be required.

*The Municipality* is the administrator of the process associated with design, construction, and certification of the Community Systems. As part of this process, the Municipality may review, approve, and provide comment to the other parties, such as Halifax Water. It is to be understood that as administrator of the process, the Municipality does not assume any responsibility for the actions or shortcomings of the other parties.

*Halifax Water* is the owner, operator and maintainer for municipal water, wastewater and stormwater infrastructure within specific boundaries set by the Municipality. Halifax Water stormwater systems typically include stormwater mains, service connections from the stormwater main to the street lines and appurtenances, including stormwater ponds. Refer to *Halifax Water Regulations* for further information.

It is expected that *the Homeowner* will be responsible for the usual maintenance of the Individual Lot Systems, and in some instances, of the Community Systems, eg. cleaning of storm drainage inlets, maintaining drainage swales free of vegetation and debris, and maintaining suitable slope protection. It is expected that homeowners will not block drainage routes, for example, placing excess snow at end of a driveway thereby blocking side yard drainage swales. Should the Homeowner alter any of the Community Systems, the homeowner is responsible for the implications of the alteration.

## 4.2 STORMWATER BEST MANAGEMENT PRACTICES

Stormwater Best Management Practices (BMPs) are measures used to mitigate impacts to quantity and quality of stormwater runoff. Stormwater BMPs can include “green infrastructure”, which focuses on the vegetation and natural elements, or can include some “grey infrastructure” such as underground cisterns or oil/grit separators. The Municipality is working to implement stormwater BMPs using green infrastructure.

Green Infrastructure BMPs use vegetation, soils, and other elements to mimic the natural processes required to manage stormwater and create healthier urban environments. These BMPs may include vegetation planting, bioswales, and other landscaping to increase infiltration and evapotranspiration, and to increase permeable surface. Grey infrastructure will also be considered, but these practices often require more ongoing maintenance than other BMPs, and do not have the added benefits that vegetated “green” infrastructure offers.

During a rain event, the initial stages of stormwater runoff generated by the first 25 mm of rain fall is sometimes called “the first flush”. This stormwater can collect the most sediment from impervious surfaces (such as parking lots, driveways, walkways etc.), and carries them downstream, increasing the concentration of nutrients along the way. By retaining the first flush from a single rain event, the concentration of nutrients downstream is reduced, which can result in an improvement to downstream water quality. Stormwater retention also decreases the flow rate of stormwater leaving individual sites. This results in improved flood resilience for affected areas and reduces the demand on municipal infrastructure.

Vegetation slows the flow of stormwater in several ways. It is a physical barrier, allowing some of the stormwater to evaporate, it also absorbs stormwater through leaves, bark and roots, using it for growth. Vegetation can also capture and absorb several nutrients from sediments.

The overall objectives of introducing BMPs are to minimize the adverse effects of stormwater runoff. An important part of the selection of BMPs is to preserve the natural features and develop a stormwater system that can reproduce, as closely as possible, the natural conditions of the undeveloped site. This approach stresses the importance of preserving natural storage, infiltration and pollutant filtering functions.

There is no single BMP that suits every site, and a single BMP may not satisfy all stormwater management objectives. Therefore, a combination of BMPs may be required.

### 4.2.1 The Hierarchy Approach

The Hierarchy Approach was adopted as part of the guiding principles for stormwater BMPs in HRM. The Hierarchy approach includes considering the following BMP methods, respectively:

- (a) *Source Control* practices retain stormwater where it reaches the site (*i.e.* retain rain where it falls). Source controls at the lot level are the preferred method for controlling the impacts of stormwater.

- (b) *Conveyance Control* such as vegetation swales and/or infiltration systems, can limit the flow as it moves across the site.
- (c) *End-of-Pipe Control*, considered the last treatment opportunity prior to leaving a site, should be implemented only if source and conveyance controls are unable to achieve the necessary level of stormwater quality and quantity control targets.

Implementing the hierarchy approach throughout HRM will improve the overall downstream stormwater quality beyond the traditional approach of an end-of-pipe stormwater management facility. The use of stormwater BMPs upstream will decrease the requirements for end-of-pipe facilities. In general, end-of-pipe facilities are the least preferred approach, because of the construction and maintenance costs, the consumption of land area, and the potential disruption of land features. For these reasons, stormwater BMPs often result in better Return on Investment results.

#### 4.2.2 Developing Stormwater BMP Standards

The *Halifax Stormwater Management Standards* describes stormwater BMP options and considerations for development of private property. The Municipality and Halifax Water are working together to create similar standards for use in the public right-of-way.

Standardizing stormwater BMPs introduces a new category of assets for the Municipality. The Municipality is generally in favour of Stormwater BMPs, however, more work is needed to develop standard details and to simplify maintenance practices. These changes are underway and are expected to be completed in a future update to the Guidelines.

Stormwater BMPs may be considered in Community Systems (see section 4.3), providing maintenance requirements are minimal.

### 4.3 OFF-STREET DRAINAGE SYSTEMS ON PRIVATE PROPERTY

A complete and properly functioning Storm Drainage System includes a variety of components which may be grouped into two categories:

*Community Systems* being those elements which serve two or more lots. For example, roadside ditches, culverts, roadways, curbs and gutters, street and backyard catch basins, pipes or conduits, retention ponds, watercourses, floodplains, and drainage swales and ground elevations along common lot lines or in easements.

*Individual Lot Systems* being those elements which serve a single lot and are contained within its limits. For example, swales contained within lot limits, gently graded lot areas, slopes, roof downspouts, individual seepage pits, french drains, building lateral, parking lot catch basins and conduits.

An important group of elements in a Storm Drainage System are the Community Systems located outside of the street limits. Poor off-street grading and drainage can lead to unsafe conditions, extensive and costly maintenance, property damage, and loss of use of lot areas.

The primary purpose of this section is to facilitate and regulate good design and construction with respect to the Community Systems located outside of the street limits.

#### 4.3.1 Objectives

The Community Systems shall achieve the following objectives:

- (a) To prevent loss of life and to protect structures and property from significant damage and expense, including that which is expected to be experienced during a 1:100 year storm event.
- (b) To provide for convenient and reasonable use of lot areas from overland flow during and following rain and snow events and from subsurface or groundwater flow, e.g. avoid continuously saturated backyard, significant continuous icing.
- (c) To provide for safe use of lot and street areas, e.g. excessive depth of flow or stormwater storage, significant continuous icing.
- (d) To avoid drainage problems or other conditions that result in unreasonable maintenance obligations on the homeowner or Municipality, e.g. significant or regular de-icing operations.
- (e) To provide protection from erosion from surface flow, subsurface flow, or groundwater, e.g. slope stabilization.
- (f) To direct stormwater away from buildings in order to especially prevent basement flooding and damage to the foundation drain.
- (g) To prevent standing stormwater and soil saturation detrimental to buildings, driveways, walkways, landscaped areas and other use of the lot.

In addition to the foregoing, the Municipality requires information to demonstrate that the following overall Storm Drainage System objectives are achieved:

- (h) To adequately convey stormwater flow from upstream sources.
- (i) To prevent and/or mitigate the adverse effects of stormwater flow onto downstream or adjacent properties, such as erosion, or flooding due to inadequate downstream capacity or grading.
- (j) To preserve natural watercourses.
- (k) To minimize the long-term effect of development on receiving watercourses and groundwater.
- (l) To maintain pre-development drainage patterns unless some motivating factor to change the pattern exists, e.g. conflict with other objectives (capacity).

In the case where Community Systems have been designed and/or constructed, it shall be an objective that the Individual Lot Systems conform to the Community Systems. Grades established at the lot limits by the Approved Subdivision Grading Plan are to be maintained, subject to variations permitted under the applicable by-laws.

In the preparation of a design that meets the above objectives, the Designer is encouraged to strive for an attractive living environment and consider factors such as the following:

- Aesthetic conditions relating to lot grading, e.g. creating space on the lot that is convenient as a play area, usually in a backyard.
- The preservation of desirable site features where practical, i.e. minimizing disturbance, retaining trees.
- Providing for variance in yard setbacks in accordance with land-use by-laws.
- Locating slopes and boundary lines such that tops and bottoms of slopes are at property boundaries.
- Avoiding excessively deep swales.
- Where swales and french drains are contemplated at the base of a significant slope, it is recommended that the swale be located at the toe of the slope.
- Locating driveways to allow convenient and safe ingress and egress.
- Creating consistent grading lot to lot.

#### **4.3.2 Design Criteria for Off-Street Drainage Systems and Subdivision Grading**

The Design Criteria for lot grading and drainage are to cover the more common aspects of design encountered in lot grading and drainage development. Local conditions may influence the design criteria and design requirements, for example, circumstances where soils are not free draining may require a flatter maximum permissible slope. Additional requirements affecting design are contained in other relevant documents, such as the National Building Code, and the Halifax Water Design Specifications.

The Design Criteria reflect the experience of the Municipality as related to typical design requirements. The Criteria are provided for information and will serve as the benchmark for review of Subdivision Grading Plans in typical circumstances. However, the Design Criteria are not considered rigid. To better meet the objectives, the Designer may want to propose alternate design approaches. This will not be discouraged by the Municipality. The purpose of the Design Criteria is to provide guidance for designers in the provision of drainage systems offering acceptable service which is consistent with best management practices and low initial construction and on-going maintenance costs and effort.

In designing Community Systems, the focus is on those drainage elements which affect more than one property, e.g. common backyard swales/catch basins, grading along common property boundaries. It is critical that the Designer ensure that sufficient Community Systems are in place and/or contemplated and depicted such that the Individual Lot Systems can be designed and constructed in a fashion that allows for a properly functioning overall Storm Drainage System for

the Homeowner while striving for an attractive living environment. It is intended that Community Systems will not have to be altered as a consequence of design of detailed Individual Lot Systems. Therefore, it is strongly recommended that the Designer test the ability of the Community Systems to achieve the above stated objective by carrying out preliminary design of the Individual Lot Systems serving the lots in accordance with the requirements of any Lot Grading or Grade Alteration or other By-law that regulates the grading of land.

Community Systems are to be designed in accordance with the criteria below.

#### 4.3.2.1 Ground Surface

- (a) The area between the street right-of-way and the curb shall slope towards the curb at a minimum slope of 2% but not greater than 4%.
- (b) The maximum slope shall be 3:1 (H:V) unless constructed on in situ rock. A steeper slope may also be permitted by the Municipal Engineer if a geotechnical report is submitted that certifies the use of a steeper slope. The top and bottom of banks shall be rounded for convenient maintenance. Notwithstanding the foregoing, the Designer is responsible to design a suitably graded slope with appropriate surface treatment to provide for long term stability.
- (c) Where a cut intercepts the groundwater table creating potential drainage and icing problems, special measures will be required to address potential drainage problem.
- (d) Where areas are disturbed, stabilization is to be provided to prevent erosion.

#### 4.3.2.2 Off-Street Swales

- (a) Except for individual single family and duplex dwelling lots, provision shall be made to collect on-site all runoff from off-street areas in accordance with the applicable by-laws.
- (b) Swales shall be blended into the landscape to the greatest degree possible in order to provide a natural appearance.
- (c) The minimum grade along any swale shall be 2%. Less than a 2% grade may be used where underdrains are incorporated. In cases where an underground drain is included in the swale design, the minimum grade may be reduced to 1%. Designers are encouraged to use grades, where possible, that are steeper than the minimum.
- (d) The flow from all swales which serve multiple properties shall be intercepted by catch basins at a maximum spacing such that the maximum depth of flow in the 1:5 year storm event is 100 mm or as otherwise directed by the Municipal Engineer.

- (e) Where the swale intercepts groundwater, the swale shall incorporate underdrains, regardless of slope.
- (f) The side slope for any swale shall be flatter than 33% (3 horizontal: 1 vertical).
- (g) The maximum depth of flow in any swale shall be 250 mm in the 1:100 year storm.
- (h) All swales shall be designed to accommodate the 1:100 year stormwater flow.
- (i) An overflow route shall be provided to direct overflow to major storm drainage systems. The water level from a 1:100 year storm event along such route shall be lower than the lowest opening to the adjacent dwellings.
- (j) Sharp corners shall be avoided in swale design.
- (k) Steeply sloping swales shall have appropriate surface treatment to prevent erosion.

#### 4.3.2.3 Off-Street Catch Basins

- (a) Where a swale, which serves multiple properties, intersects a street, a catch basin, located as close as practical to the curb or to the sidewalk, shall be installed to intercept flow from the swale.
- (b) The flow from all rear yard swales serving multiple lots shall be intercepted by a catch basin(s) installed at the rear of the property.
- (c) The grade of lots in the immediate vicinity of a rear yard catch basin shall be graded in a manner which will direct stormwater to the catch basin.
- (d) Catch basins shall be located entirely on one property and shall not be located on any property line.
- (e) Off street catch basins may be constructed using a 750 mm diameter concrete pipe, standing vertical with bell end up. An IMP R-361 (or equivalent) grate shall then be placed in the bell end. The catch basin lead shall not protrude into the catch basin by more than 75 mm and shall be grouted with a non-shrink grout and finished on the inside and outside of the structure. Note: This type of catch basin is not permitted in paved areas or areas where vehicle traffic is present.
- (f) Any catch basins to be taken over by Halifax Water shall be constructed according to the Halifax Water Design Specifications.



#### 4.3.2.4 Underdrains

- (a) Underdrains are to be used to remove surface water and groundwater to drain wet areas and other areas of poor drainage, or where minimum slopes with respect to lot surface or swales cannot be achieved.
- (b) Underdrains are not permitted to discharge onto street surfaces, walkways, or any location where there would be an impact inconsistent with the objectives of the Guidelines.
- (c) Underdrains shall be located a minimum of 2 m distance from any part of the building foundation to avoid impacts to building foundations and/or adjacent structures when the underdrain is replaced.
- (d) Where necessary to avoid icing problems on the street caused by stormwater flowing over the top of the curb, the Designer shall provide an acceptable method to intercept this flow (eg. french drain installed behind the curb).
- (e) Small diameter pipe installed for "off-street" drainage such as rear yard drains, underdrains, etc., may be installed provided the following connection conditions are met:
  - (i) Off-street underdrains shall not be connected to the back or sides of an on-street catch basin.
  - (ii) Off-street underdrains shall connect to the storm main via a lateral connection or to a manhole in the right-of-way.
  - (iii) Off-street underdrains may be considered, through the variance process, to connect to an off street catch basin.

#### 4.3.2.5 Ownership

- (a) Rear/side yard catch basins will be considered for ownership/acceptance by Halifax Water as an exception only. If accepted, it must be constructed to Halifax Water requirements. The designer will be required to demonstrate that there are no other physical means to providing adequate and proper drainage to the property(s). The request will also be assessed to ensure the infrastructure can be accessed for cleaning and maintenance.
- (b) Catch basins located outside of the travel way, but located within the right-of-way, will be owned and maintained by Halifax Water.
- (c) Underdrains and swales located outside of the right-of-way will be privately owned and maintained.

#### 4.3.2.6 Easements

- (a) Easements shall be provided for all swales which, in the opinion of the Municipal Engineer, require such legal conveyances. Generally, easements will be required when a significant number of lots depend on the swale.
- (b) Public easements shall be provided for all catch basins and associated stormwater pipes constructed in conformance with the Municipality's standards and Halifax Water Design Specifications.
- (c) A minimum easement width of 6 m is required for public easements as per Halifax Water requirements.
- (d) A minimum easement width of 4.5 m is required for private easement.

#### 4.4 EROSION AND SEDIMENT CONTROL

Stormwater management systems shall be an integral part of overall site design and development.

The designer shall submit an erosion and sediment control plan in conformity with all applicable municipal and provincial regulations and guidelines. The plan shall include both short-term measures applicable during construction and long-term measures after completion of development.

Site design shall make optimum use of existing topography and vegetation and minimize cut and fill operations. During construction, site design shall prevent/minimize stormwater flows across or from the construction site. Development of the site shall be based on exposing a minimum area of the site for the minimum time.

The control plan shall include the following:

- Interception and diversion ditches to direct water around the construction site;
- Diversion berms;
- Sediment traps;
- Covering or seeding of topsoil or other soil stockpiles;
- Isolated stripping of land being developed;
- Vegetation screens or buffers;
- Filter bags in catch basins;
- Settling ponds.

Long-term environmental protection measures shall include designs to minimize erosion and sediment flow, protect outfall areas, minimize disruption of natural watercourses, utilize wetlands for natural filtration, and provide for ground water recharge when possible.

Protection methods shall be based on but not limited to the “Province of Nova Scotia Erosion and Sediment Control Manual and Guidelines for Use on Construction Sites”.

## 5.0 TREES

### 5.1 INTRODUCTION AND PURPOSE

Halifax Regional Municipality (HRM) has over 57 million trees within its boundaries, including 150,000 street trees in its urban core. This creates the Municipality's urban forest.

The importance of an urban forest cannot be underestimated. Benefits include improved air quality, carbon sequestration, shade, natural habitat, stormwater control, prolonged life of shaded asphalt, road noise buffering, as well as an aesthetically pleasing streetscape contributing to the physical and psychological well-being of our residents.

Street trees are an integral part of the overall streetscape, and are given a high priority as part of the Municipality's street infrastructure. Utilities and other elements must be designed with tree preservation and planting in mind, to ensure trees will mature and thrive in the urban environment. In increasingly complex urban environments, where there are competing priorities for space, every effort must be made to include trees.

The intent of this chapter is to encourage improved tree planting environments, enabling larger growing trees within public streetscapes.

### 5.2 GENERAL PLACEMENT

Trees are generally to be placed between the sidewalk and curb, or in the frontage zone (between the sidewalk and private property). The following guidance must be considered as planting too close to roadways, sidewalks, and other infrastructure presents conflicts with users, visibility issues, and structural instability of trees (i.e. if root spread is too limited).

#### 5.2.1 Space for Trees

Trees shall be placed per the following requirements:

- (a) Where sidewalks are required in new greenfield construction, the width of the boulevard or furnishing zone, (i.e. the distance between the back of curb and sidewalk) shall be in accordance with section 2.4 – Cross Section Elements.
- (b) In retrofit situations, boulevards may be reduced to 1.5 m in constrained circumstances recognizing that there may be competition for available space.
- (c) Reducing boulevards below 1.5 m will necessitate the use of hardscape solutions to accommodate street trees (see sections 5.4.2 and 5.5) or may preclude street trees entirely unless they can be planted in the frontage zone. Reducing the boulevard's width below 1.5 m such that hardscape solutions are required, or trees are not considered in a design, will only be considered in retrofit situations to accommodate needed municipal infrastructure (e.g. sidewalks, bicycle facilities, bus lanes, etc.) following a prioritization exercise and subject to the approval of the Municipal Engineer.

- (d) Where trees must be removed to facilitate new infrastructure or other construction activities, they shall be replanted in the future streetscape to ensure the sustainability of the urban tree canopy.
- (e) Tree protection (e.g. tree guards or other means) is required for boulevards/ furnishing zones less than 1.5 m in width. See details in Part B.

### 5.2.2 Offsets

Trees shall be offset per the following requirements:

- (a) When planted between sidewalk and curb, trees shall be centred on the boulevard or furnishing zone (where utilities do not conflict).
- (b) Where sidewalks are not required, trees shall be planted a minimum of 1.5 m from the curb.
- (c) When planted in line with other streetscape elements (bicycle racks, benches, fire hydrants, street light poles, etc.) maintain offsets of at least 1.5 m.

### 5.2.3 Restrictions Due to Traffic Considerations

- (a) Consideration should be given to roadway geometry and sight distance to pedestrian crossings, intersections and traffic controls. Do not plant trees within:
  - (i) 15m of a stop sign or traffic signal base.
  - (ii) 10m of the end of the radius of an intersecting street without stop control.
  - (iii) 10m of a crosswalk (crosswalk signs face in both directions on a two-way street).
- (b) Trees must not impede transit operators' view of passengers waiting at bus stops and shelters. Do not plant trees within 10 m of a bus stop sign (near side only).
- (c) Planting plans for the area 50 m from any intersection must be reviewed by the Traffic Authority, as there are instances where greater distances are required due to the horizontal curvature of the street or other issues.
- (d) Placement of trees within 5 m in line with a sign is at the discretion of the Traffic Authority and Municipal Engineer. Where possible, plant trees on the far side of poles and posts.
- (e) Signage is typically placed 2.0 m to 2.5 m from the ground, measured from the bottom of the sign. Consider tree species that could ultimately be trimmed to have their lowest branches above this height. See section 5.3.2 for guidance on species selection.

#### 5.2.4 Considerations Due to Emergency Vehicles

Placement of trees shall consider potential impact to firefighting operations, including but not limited to the deployment of emergency vehicles, the positioning and use of ladders (vehicle mounted and ground ladders) and the deployment of fire hose from hydrants (or other water supply points) to emergency vehicles and from vehicles to locations in and around buildings.

#### 5.2.5 Considerations Due to Buried Infrastructure

Trees shall not be placed directly over utility mains and avoid service laterals to the extent possible.

### 5.3 PLANTING AND MAINTAINING HEALTHY TREES

Avoiding monoculture plantings of single species, choosing the right type of tree for any given situation, and making sure the tree has an adequate volume of high-quality soil are critical factors to the success of urban trees.

This section focuses on different types of tree installations and options to achieve the right species mix, adequate soil volumes, moisture and nutrient levels – and improve the chances of long-term survival of street trees.

#### 5.3.1 Species Diversity

Diversity increases urban forest resilience to diseases and pests and can decrease the spread of contamination.

For new developments (or phases of), or any construction activities that require planting or replanting, unless approval by the Municipal Engineer has been received for an alternate approach, the following rules apply:

- (i) If fewer than 10 trees are required, no more than 50% may be of the same *genus*.
- (ii) If 10-40 trees are required, no more than 50% may be of the same *genus* and no more than 25% of the same *Species*.
- (iii) If more than 40 trees are required, no more than 25% may be of the same *genus*.

The scientific names of each tree listed in section 5.3.2 consist of the *genus*, followed by the *species*.

#### 5.3.2 Species Selection

The following species have been approved for use within the right-of-way. In addition to the presence of overhead utilities (see note below), species selection should include consideration of tree canopy space and shadows, especially when planting trees near tall buildings. Additional species may be considered, subject to the approval of the Municipal Engineer.

Any species of *Fraxinus* (ash) are currently considered unacceptable for planting in HRM due to the influx of the Emerald Ash Borer pest.

The scientific names of each tree listed below consist of the *genus*, followed by the *species*.

## List of Acceptable Tree species for replanting

### A) *Acceptable tree species for plantings under single or 2-phase Distribution Lines:*

- *Acer rubrum* (Red Maple – species & cultivars)
- *Acer x fremannii* (Freeman Maple – cultivars)
- *Quercus palustris* (Pin Oak)
- *Ulmus americana* (American Elm – DED resistant cultivars e.g. ‘Princeton’, ‘Liberty’, ‘Prospector’)
- *Gymnocladus dioicus* (Kentucky Coffee tree)
- *Fagus sylvatica* (European Beech – tree form only)
- *Platanus occidentalis* (American sycamore)
- *Celtis occidentalis* (Common Hackberry)
- *Gleditsia triacanthos* Inermis (Honeylocust)
- *Liriodendron tulipifera* (Tuliptree)
- *Magnolia acuminata* (Cucumbertree)
- *Catalpa speciosa* (Northern Catalpa)
- *Tilia tomentosa* (Silver Linden)

### B) *Acceptable tree species for plantings under 3-phase, single circuit Distribution:*

- All species from ‘A’ above
- All species from ‘C’ below

### C) *Acceptable tree species for plantings under 3-phase, double circuit Distribution Lines:*

- *Acer campestre* (Hedge Maple)
- *Malus x hybrids* (Crabapple)
- *Syringa reticulata* (Japanese Tree Lilac)
- *Ostrya virginiana* (American Hophornbeam)
- *Pyrus calleryana* cultivars, *Pyrus ussuriensis* (Ornamental Pear)
- *Cercidiphyllum japonicum* (Katsura)
- *Maackia amurensis* (Amur Maackia)
- *Ginkgo biloba* (Ginkgo – male selection)
- *Quercus rubra* (Red Oak)
- *Quercus macrocarpa* (Burr Oak)
- *Quercus bicolor* (Swamp White Oak)

## List of Acceptable Tree species for new planting (including greenfield development)

### D) *Acceptable tree species for plantings under single or 2-phase Distribution Lines:*

- *Acer rubrum* (Red Maple – species & cultivars)
- *Acer x fremannii* (Freeman Maple – cultivars)
- *Quercus palustris* (Pin Oak)
- *Ulmus americana* (American Elm – DED resistant cultivars e.g. ‘Princeton’, ‘Liberty’, ‘Prospector’)
- *Gymnocladus dioicus* (Kentucky Coffee tree)
- *Fagus sylvatica* (European Beech – tree form only)
- *Platanus occidentalis* (American sycamore)
- *Celtis occidentalis* (Common Hackberry)
- *Gleditsia triacanthos* Inermis (Honeylocust)
- *Liriodendron tulipifera* (Tuliptree)
- *Magnolia acuminata* (Cucumbertree)
- *Catalpa speciosa* Northern Catalpa
- *Tilia tomentosa* Silver Linden

### E) *Acceptable tree species for plantings under 3-phase, single & double circuit Distribution Lines:*

- *Acer campestre* (Hedge Maple)
- *Malus x hybrids* (Crabapple)
- *Syringa reticulata* (Japanese Tree Lilac)
- *Ostrya virginiana* (American Hophornbeam)
- *Pyrus calleryana* cultivars, *Pyrus ussuriensis* (Ornamental Pear)
- *Cercidiphyllum japonicum* (Katsura)
- *Maackia amurensis* (Amur Maackia)
- *Ginkgo biloba* (Ginkgo – male selection)

### 5.3.3 Planting Guidelines

Tree planting (including soil quality, plant stock, staking and tethering, bark protection, straightening, mulching, watering, and maintenance during warranty period) shall be carried out as per the specifications of the *NSRBA Standard Specification for Municipal Services* and *HRM Supplementary Specifications*.

### 5.3.4 Monitoring following Development/Construction

Trees planted during development or municipal construction activities shall be inventoried by project proponents regarding location and species. Inventories shall be provided to the Municipality at the time of planting and will be followed immediately with substantial completion inspection by the Municipality.



### 5.3.5 Soil Volume Requirements

The soil volumes, moisture, and nutrient requirements for trees are often compromised on city streets due to competition from other urban elements. This can result in urban street trees that may not reach their growth potential and may not provide the environmental benefits of a mature tree. The main limiting factor for most street trees, particularly within the hardened furnishing zone of urban streetscapes, is the volume of soil available. In addition to this section, refer to the details in Part B.

- (a) The following minimum soil volumes shall apply to street trees (medium to large):
  - (i) Single street trees require a minimum of 23 m<sup>3</sup> of soil.
  - (ii) Up to two trees can share a pit containing 23 m<sup>3</sup> of soil.
  - (iii) For each additional tree in a continuous trench (a shared planting pit that accommodates several trees and their root systems in a streetscape design) there shall be an additional 11 m<sup>3</sup> per tree.
- (b) When planting small trees under utility lines, the following minimum soil volumes shall apply:
  - (i) 11m<sup>3</sup> per tree for single and double tree pits.
  - (ii) An additional 5m<sup>3</sup> for each additional tree in a continuous trench.
- (c) In situations in which it can be demonstrated that the required minimums cannot be achieved due to physical limitations of the site, a reduced soil volume may be considered, subject to the approval of the Municipal Engineer.

## 5.4 QUANTITIES OF TREES TO BE PLANTED

This section describes the required number of trees associated with various situations.

### 5.4.1 Quantity of Trees Required in Grass Boulevards

- (a) When planting trees in grass boulevards, trees shall be supplied at a rate of **one tree for every 10 m** (linear) of curb and/ or sidewalk being constructed or reconstructed, unless otherwise indicated in the *Regional Subdivision By-Law* or at the discretion of the Municipal Engineer.
- (b) Tree spacing may vary due to planting restrictions (i.e. required offsets; underground conflicts) but should be related to the expected canopy spread of the species planted.
- (c) Attention to soil quality and quantity within the sodded boulevard is required to ensure that trees survive and thrive. The boulevard shall be backfilled with adequate growing medium following curb and sidewalk construction. Refer to the details in Part B.
- (d) Where the boulevard is constrained or absent because it must be hardened, or the sidewalk must directly abut the curb, options for planting street trees in the frontage zone should be explored (i.e. between the sidewalk and the property line) or hardscape planting options must be used (section 5.5).

#### 5.4.2 Quantity of Trees Required in a Hardscaped Furnishing Zone

- (a) When planting trees in soil cells, raised planters, or a combination of the two, trees shall be planted at a rate of **one tree for every 20 m** (linear) of curb and/or sidewalk being constructed or reconstructed. This reduced rate recognizes the increased cost per tree associated with these options compared to planting in grass boulevards. Section 2.4.6 describes the conditions under which a hardened furnishing zone is appropriate.
- (b) Tree spacing may also vary depending on the configuration of soil cells and planters used to enable sharing of soil volume between trees, allowing for some clustering of trees. Spacing may also be impacted by planting restrictions, but as above, it should be related to the expected canopy spread of the species planted.

### 5.5 HARDSCAPE STREET TREE PLANTING OPTIONS

Trees planted directly in the grass strip between the sidewalk and curb (the boulevard) are a standard feature of streets world wide. When the boulevard or the frontage zone is unavailable for tree planting for various reasons (see section 2.4.6), specialized approaches are needed to achieve the required volumes of uncompacted soil cited in section 5.3.5.

- (a) At the Municipal Engineer's discretion, a hardened furnishing zone may be required as described in section 2.4.6. In such conditions, three planting options may be considered for planting trees, depending largely on the width of the pedestrian realm available:
  - (i) Soil cells
  - (ii) Raised planters
  - (iii) A combination of both soil cells and raised planters.

This section is to be read in conjunction with the details provided in Part B, and with reference to Chapter 3 - Streetscaping for guidance on how tree planting is to be integrated with various sidewalk surface treatments, furnishings, and other streetscape elements. Refer to Figure B-5 – Sidewalk Treatments and Furnishings in Appendix B.

#### 5.5.1 Soil Cells

A soil cell system is a rigid structural skeleton which can be placed under sidewalks and walkways that provides space for planting medium within its assembly. The cells are hollow on the inside and have open sides providing adequate uncompacted soil volume within, while permitting a hard surface above. Additionally, soil cells may be flexibly configured underground, accommodating various utilities.

Soil Cell Systems provide advantages such as:

- The ability to achieve significant soil volumes and tree growth potential while allowing pedestrian circulation overtop;
- Allowing various depths of soil cells to enable flexibility in excavation depth;
- The ability to be installed while maintaining an existing curb;
- Allowing flexible configurations to minimize conflicts with buried utilities;
- Acting as a stormwater 'best management practice' (BMP); and,

- Providing enough soil volume even when pedestrian realm is very narrow (3 m or less).
- (a) Soil cells must support the expected loads on the surface above, which, even in the case of sidewalks and furnishing zones, include snow removal equipment and service vehicles.
  - (b) Refer to the details in Part B.

### 5.5.2 Raised Planters

A raised planter consists of cast-in-place concrete walls above grade containing enough soil volume for street trees.

Long raised planters, typically made of concrete or granite, can enhance streetscapes by increasing the soil volume available for trees while protecting them - factors that assist significantly with growing larger, healthier trees. Such planters can also provide benefit as informal seating areas when they are at least 430 mm high. See section 3.3.2 for guidance on accessible seating heights.

- (a) The pedestrian realm must be at least 4.5 m wide to consider the installation of a raised planter and still meet minimum curb offsets and pedestrian clearance requirements.
- (b) Where there is adjacent on-street parking or loading, planters shall be no more than 14 m long, with a minimum 1.5 m gap between planters, to allow access between curbside uses and the sidewalk.
- (c) Trees in planters are generally underplanted with sod, but ornamental perennials, grasses, or mulch may be used if arrangements have been made to maintain them free of weeds and litter.
- (d) Raised planters create a barrier between the sidewalk and the curb. Drainage and icing prevention must be considered.
- (e) Raised planters shall be offset 600 mm minimum from back of curb to avoid interference with vehicle doors in curbside areas available for stopping / parking / loading.
- (f) To support visibility, the edges and top of the raised planter shall be clearly defined by texture and colour-contrast from the surroundings.
- (g) Maintenance planning must be arranged for watering, because planters do not receive runoff.
- (h) Additional design coordination may be required with utilities due to continuous concrete footings.
- (i) Refer to the details in Part B.



Figure 5.5.2 - Streetscape in Toronto with Raised Planters

### 5.5.3 Combination Raised Planter / Soil Cell

It is possible that either of these strategies used alone will not supply the minimum required soil volumes, or that the benefits of both may be sought in any given site. In such situations, raised planters can be combined with soil cells to achieve adequate soil volumes.

## 5.6 TREE PROTECTION

Trees near construction and demolition can face significant stress. Damage to trunks and branches, excavation of roots, compaction of soil, and changes to grades and drainage patterns can lead to an unhealthy or unsafe tree. In extreme cases construction and demolition work may contribute to the death of a mature tree.

Protection and preservation of mature trees on municipal land, including the preservation of the environmental conditions that support these trees, is considered a priority.

- (a) A permit must be obtained for work around municipal trees further to the requirements of *By-Law T-600 Respecting Trees on Public Land*.
- (b) Refer to *By-Law T-600 Respecting Trees on Public Land* for information on required permits and tree protection measures during and after construction or demolition.
- (c) Refer to the details in Part B regarding tree protection.

## 6.0 TRAFFIC SIGNALS

- (a) Designers shall work with the Municipality for traffic signal design.
- (b) Details for various traffic signal elements are included in the details in Part B.
- (c) Traffic signal design shall be in accordance with the *Nova Scotia Motor Vehicle Act*.
- (d) Designers shall reference the latest edition of the *Manual of Uniform Traffic Control Devices (TAC)* for design guidance.

The Municipality is working on language regarding HRM specific traffic signal guidelines. These changes are underway and are expected to be completed in future updates to the Guidelines.

## 7.0 STREET LIGHTING

### 7.1 GENERAL

The Municipality has a specific system for street lighting that permits a level of illumination that meets and exceeds the minimum requirements recommended by the *Illumination Engineering Society of North America (IESNA) Handbook*. These standards and design criteria described herein are unique to HRM and must be followed to ensure the street lighting design can be incorporated into the existing HRM network.

The general requirements for street lighting are as follows:

- (a) The Municipality's Street Lighting Department must be notified of any addition or modification to HRM owned street lighting equipment. The Municipality's Lock-out / Tag-out Procedure must be followed before accessing HRM street lighting equipment.
- (b) The luminaire shall be Light Emitting Diode (LED) technology, only. It shall be designed to properly light the roadway /sidewalk and shall provide maximum spill light cut-off beyond the sidewalk to reduce spill light and glare impacts on local residents as per the latest edition of the *American National Standards Institute / Illumination Engineering Society Recommended Practice for Design and Maintenance of Roadway and Parking Facility Lighting (ANSI/IES RP-8)*. The luminaire must be International Dark-Sky Association compliant. The Municipality can provide a list of pre-qualified LED manufacturers.
- (c) For projects that impact the right-of-way, a lighting assessment is required to ensure the current street lighting standards are met for the impacted area. If the lighting assessment confirms a need for additional lighting, a detailed engineered lighting and electrical design for the area must be provided for review and approval by the Municipal Engineer. The costs associated with the design, the addition or upgrading of lighting for the area, and any associated electrical equipment including power supplies and connections to the existing street lighting system, must be incorporated into the project budget. For locations with decorative lighting as indicated on Figure B-9 – Street Lighting Plan in Appendix B, the standards described in section 3.4 – Ornamental Street Lights and Poles are to be followed.

### 7.2 DESIGN REQUIREMENTS

- (a) For development application, if the final subdivision approval, is before July 2<sup>nd</sup>, 2013, the Municipality is responsible for the lighting design. If it is after July 2<sup>nd</sup>, 2013 the developer is responsible. Designs are to be based on the latest edition of *ANSI/IES RP-8 Roadway Lighting Design Guideline Manual* and approved by the Municipal Engineer.

- (b) Once the streets have been constructed and Nova Scotia Power infrastructure has been installed, the applicant shall install the LED street lights and monitoring system in accordance with the approved drawings.

### 7.2.1 Sub-Document Requirements for Lighting Design Process:

The designer will require the following:

- (i) Required software: AGI32 14 or higher;
- (ii) Latest edition of *ANSI/IES RP-8 Roadway Lighting Design Guideline Manual*;
- (iii) Latest edition of *ANSI/IES DG-19 Design Guideline for Roundabout Lighting*;
- (iv) Individual IES photometric files for each manufacturer's LED being used in the design. This file is created using a Goniometer testing sphere by a third-party testing corporation and records all of the characteristics of the LED, which is used to plug into the AGI32 software and is provided by the Municipal Engineer;
- (v) Roadway classification for each individual roadway in the lighting design, provided by the Municipal Engineer;
- (vi) Pedestrian conflict for each individual roadway in the lighting design, provided by the Municipal Engineer;
- (vii) Pavement type (always R3);
- (viii) Light loss factors for each LED used in the design (varies), provided by the Municipal Engineer;
- (ix) Bracket lengths available (1.8 m or 3 m);
- (x) AutoCAD file to use as the template or backdrop for the design including street names;
- (xi) Luminaire lighting templates which contain pre-loaded IES files for each individual fixture. (AEL Fixture IES Template **or** LED Roadway Lighting NXT IES Template);
- (xii) ROAM NODE Spec Sheet Spring 2018 DSN\_pdf.pdf;
- (xiii) CIMCON DataSheet iSLC3100-7P-S.pdf; and,
- (xiv) CMS Import File Template For Developers.xlsx, provided by the Municipal Engineer.

### 7.2.2 Design Procedure to Follow (using AGI32)

The designer is required to provide a detailed lighting design which meets the Municipality's current standards, as follows:

- (a) Table 2 from the latest edition of *ANSI/IES RP-8 Roadway Lighting Design Guideline Manual* shall be used to determine minimum street lighting requirements. *IES RP-8* Tables 5, 6, 7, and 8 shall be used to determine minimum lighting requirements for sidewalk / walkways / bikeways etc., (horizontal and vertical calculations required). This does not include mid-block crosswalks and crosswalks at intersections, only pedestrian areas where flow is parallel to traffic movement.
- (b) For mid-block crosswalks and intersection crosswalks, *IES RP-8* Table 9 shall be used to determine minimum lighting requirements (horizontal and vertical calculations required).

- (c) In accordance with standard practice, the designer shall start with the smallest available wattage LED and work upwards until the correct LED is selected to satisfy minimum requirements for each street. This will ensure that the street is lit as efficiently as possible. It is recommended to calculate intersections first, due to their higher light level requirements, followed by the adjacent calculations.
- (d) Intersection requirements are listed in *IES RP-8* Table 9, and an individual calculation shall be completed for each intersection within the design and labeled appropriately.
- (e) All calculations shall be completed using the calculations points – polygon method, grid set to 1.5 m x 1.5 m and text size 1 m. All calculations shall be labeled by the street or crosswalk / sidewalk that they represent in the lighting design calculations and adjacent to their location on the design.
- (f) For roundabouts, a calculation shall be completed for each entrance and exit into and out of the roundabout and for the crosswalks (vertical and horizontal calculations required). A horizontal calculation shall be completed for the full roundabout area. Refer to the latest edition of *IES DG-19* for minimum requirements and measured distances for vertical measurements.
- (g) When a new development creates a new intersection with an existing street, the developer shall be responsible for lighting that new intersection as per latest edition of *ANSI/IES RP-8*. All existing light information can be provided to the designer by the Municipal Engineer. It is possible that existing lights in the new intersection will need to be removed and replaced if the intersection's light level minimum requirements increase.
- (h) When a road is being extended or connects to another existing road, the lights that exist in the field shall be inserted into the design due to their contribution to lighting the particular section of roadway. The Municipality can provide information on existing lights in the area as required, including IES files.
- (i) Drawings shall be submitted through the appropriate HRM department and will be reviewed by HRM staff responsible for street lighting. If there are deficiencies in the design, it will be returned, and the process will be repeated until the design is acceptable.
- (j) Designers may round up i.e.; 5.06 lux can be rounded up to 5.1 lux.
- (k) Luminaire height default is 8.5 m for wood pole applications only. If mounting is on an aluminum light pole the height will be determined by the Municipal Engineer.
- (l) The designer shall submit the completed AGI file to the Municipality for approval.



### 7.2.3 Design and Installation Requirements for Lights Installed on Wood Poles

The purpose of this section is to guide a consultant, designer, or developer on what is expected by the Municipality when installing an overhead street lighting system. In addition to the requirements in section 7.2.2, the following requirements shall be met:

- (a) The designer shall follow Nova Scotia Power's installation specification, which details how the fixture is connected to Nova Scotia Power's infrastructure. See details in Part B.
- (b) The developer is required to install a monitoring network (node) on each individual fixture and in some cases some additional network equipment is required depending on the location and proximity of the newly installed fixtures within HRM's street light network. Further requirements for Smart Node installation are included in section 7.4.
- (c) Before lights are installed, the Engineer of Record shall verify from Nova Scotia Power that the lines have been strung and energized.
- (d) Luminaires mounted on wood poles must comply with the details in Part B.
- (e) Mounting heights will be determined by the position of the secondary conductors on the wood pole.
- (f) Designers must comply with all regulations provided by Nova Scotia Power and communication utilities for spacing between luminaires and high voltage and communication conductors.

### 7.2.4 Design and Installation Requirements for Lighting Equipment Installed Underground

This section outlines the requirements for installation of a lighting system fed by underground power. In addition to the requirements in section 7.2.2, the following requirements shall be met:

- (a) As discussed in section 3.4 – Ornamental Street Lights and Poles, the required type of ornamental or aluminum standard shall be in accordance with Figure B-9 – Street Lighting Plan in Appendix B. If the new installation is located in an area not indicated on Figure B-9 then a type can be selected from the 9 styles preselected on Figure B-9. The Municipal Engineer will provide specification of the light / pole for the design and for ordering purposes.
- (b) The final lighting design, approved by the Municipality, shall be stamped by the Engineer of Record. The drawing shall abide by the current CEC (Canadian Electrical Code) and must also include the list of construction requirements noted in section 7.3.2.

- Sub-Documents/files required in addition to those listed in 7.2.1:
  - Pole Base template – To be determined when pole is selected;
  - Concrete Base detail – To be determined when pole is selected;
  - Electrical service and lighting controller – To be determined by the load and voltage of the selected poles and how big the development is; and,
  - Catalogue numbers and specification sheet of the selected pole and light – To be determined when the pole/head is selected.
  
- (c) Once all the requirements above are met the Engineer of Record must contact the Municipality to arrange a final inspection. The Engineer of Record shall first verify from Nova Scotia Power that the lines have been strung and energized. Once the inspection and deficiencies, if any, have been completed, the Municipality will accept the new street lighting system.
  
- (d) The developer is required to install a monitoring network (node) on each individual fixture and in some cases some additional network equipment is required depending on the location and proximity of the newly installed fixtures within HRM's street light network. Further requirements for Smart Node installation are included in section 7.4.

#### 7.2.5 Drawing Format Requirements:

- (i) The drawing file must be in AGI32 format.
- (ii) All streets require a label to identify them within the design.
- (iii) All LEDs require labels i.e.; Project Name, luminaire number, label, tag, tilt and mounting height.
- (iv) Isolines are to be provided in 2 lux increments, line width = 0.3 m, text size = 1 m, label increment of 15 m.
- (v) Two drawing schedules are required: "luminaire schedule" must include arm length, light loss factor, LED description, arrangement, label and a "calculation summary" must include label, calculated type, units, average maximum and minimums, avg./min, max/min.
- (vi) Designers are required to indicate the road classification / pedestrian conflict for each street they are using within the drawing by adding text under the calculation schedule.
- (vii) Minimum average calculations, uniformity ratio, and veiling luminance calculations are required for each individual calculation. Veiling luminance calculations can only be done when a straight section of the roadway exceeds 83m.
- (viii) All sidewalks require a horizontal calculation and two vertical calculations at 1.5 m in height at opposite directions as per *ANSI/IES RP-8*, latest edition. Sidewalk verticals EvMin is to be considered as an average value not a minimum value.

## 7.3 CONSTRUCTION AND INSTALLATION REQUIREMENTS FOR STREET LIGHTS

### 7.3.1 Electrical Distribution Service

Street lighting systems shall be single/three phase 120/208 volt or single/three phase 347/600 volt. The electrical distribution system shall be an un-metered service mounted on a wood pole or fed from an underground street light power enclosure as shown in the details in Part B.

### 7.3.2 General Construction Requirements and Notes for Street lighting

The following shall be included as notes on construction drawings when applicable, for clarity between designer and installer:

- Any modifications to any existing street lighting power enclosure shall be approved by the Municipal Engineer.
- All electrical circuits shall be identified using numbered wire tags.
- Minimum conduit size shall be 38 mm or 1 ¼".
- All underground electrical joints shall run to the nearest pole to avoid the usage of underground junction boxes, when possible. If unavoidable the location must be approved by the Supervisor of the Street Lighting Department.
- All wire runs shall contain an extra conductor as a spare.
- Grease all screws and bolts using never seize paste.
- Minimum wire size #8AWG R90 XLPE Simpull.
- Tape wire connectors with super 88 electrical tape.
- No split bolts. Use ISCO PBTD3-4 multi-port connector.
- Transformer base shall be grounded with ground lug. Bundy K2A26U and bonded to ground plate and also to incoming system ground.
- Overhead connections shall use KZEP 410 Tyco piecing connector.
- Every pole shall have a separate ground plate installed and bonded to pole through ground lug.
- Every pole shall have a fuse kit installed for every individual head using fuse kit (Amerace #65U and/or D65U).
- Set all poles on the concrete base not on the nuts, no grout. Orientate poles parallel to the roadway. Especially with Sitelink square poles due to their track channel system for mounting accessories.
- Pole concrete base must be aligned parallel with the curb or roadway, and must adhere to the details in Part B and HRM Supplementary Specifications regarding concrete.
- All pole wiring must adhere to the details in HRM Municipal Design Guidelines Part B.
- Street lighting power enclosure concrete base must adhere the details in HRM Municipal Design Guidelines Part B and HRM Supplementary Specifications regarding concrete.
- Street lighting power enclosures must adhere to the typical electrical cabinet layout, refer to details in HRM Municipal Design Guidelines Part B.

- A conduit layout/diagrams must be provided for all new power enclosures.
- Do not weld nuts.
- Lock washers on everything that requires an anchor bolt including decorative poles.
- Conduits must be cut off above concrete base 2" high not level with concrete base, and not any higher than 4".
- Anchor bolt height above concrete base is not to exceed 4" to allow the socket to fit over it.
- Wire tags must be proper wire tags not duct tape, masking tape etc.. Also, each circuit including the neutral must be separately identified.
- The u-guard must be grounded to the main service ground.
- All underground conduit runs must adhere to the Underground trench detail shown in Part B – Standard Details.
- Typical LED wiring on a wood pole shall adhere to the details in HRM Municipal Design Guidelines Part B.
- Stub post wiring detail with plugs, refer to the details in HRM Municipal Design Guidelines Part B.
- Wood pole mounted services shall adhere to the details in HRM Municipal Design Guidelines Part B.
- For further detail on pole specifications, for everything including street light brackets, refer to the details in HRM Municipal Design Guidelines Part B.
- Pole mounted service no switch, refer to details in HRM Municipal Design Guidelines Part B.
- Post mounted switch, refer to details in HRM Municipal Design Guidelines Part B.
- For transformer base grounding; All the grounds in a transformer base must be joined together with the ground plate including the ground that goes back to the cabinet. This also applies to traffics grounds. No separate ground loops. Refer to details in HRM Municipal Design Guidelines Part B.
- Typical Relay Installation: Refer to details in HRM Municipal Design Guidelines Part B.
- Street Light conduit runs shall minimize bends to 2 x 90 deg bends in each run pole to pole to reduce the extra effort to pull wire.
- Pole wiring to be done using #12/2 NMWU, refer to details in HRM Municipal Design Guidelines Part B.
- Transformer base doors and hand hole covers must face the sidewalk not the street.
- When the contractor makes an electrical connection off of an existing connection they must remove any faulty or damaged part of that connection and also pigtailed are not permitted they must connect to the original connection point only.
- When the contractor mounts a street light bracket to a concrete pole or steel pole and is unable to drill the second hole for the bolts they must use  $\frac{3}{4}$ " stainless steel banding to secure the bottom part of the bracket.

- When the contractor mounts a light to a concrete or steel pole they must use 3/4" stainless steel banding to support the liquid tight flexible conduit. Tie wraps are not permitted.
- Duct seal must be used to seal all incoming pipes into the main switch or controller to reduce humidity and condensation within the switch.

#### 7.4 SMART NODE INSTALLATION PROCESS

The Municipality uses an adaptive control network to monitor the street lighting system. Each luminaire has a Smart Node installed on the photo cell receptacle that communicates in a mesh network to an Access Point. The Access Point pushes the information collected by the Smart Node on each light to a server with Street Light Vision (SLV) software. The SLV software is used to monitor and adjust the lights functions such as dimming / brightening or changing schedules / alarms etc. Developers will be responsible to purchase the nodes and Access Points (if required) and collect all the necessary information to fill out the Smart Node template, which is used to import information into SLV to activate the Smart Nodes on the network.

##### *Step #1 – Lighting Design Approval*

Submit a roadway lighting design to the Municipality for approval in accordance with section 7.2.

##### *Step #2 – Installation of the new lights in the Municipality's Corporate Database*

Prior to the installation of any street light fixtures, export the AGI32 file from the approved lighting design to an AutoCAD file and provide to the Municipality to have the new lights added to the HRM database. Allow two weeks for incorporation into the database prior to installation of any street light fixtures.

The Municipality will provide notification when the lights have been added to the database. As part of this notification, the developer will receive a spreadsheet (Excel) with the required information to complete the Smart Node template spreadsheet, which will also be provided by the Municipality.

Information provided by the Municipality will include:

- FX numbers for each light
- SS numbers for each light
- Lat and Longs for each light
- District for each light

The lighting design software assigns a number to each fixture. This number will be used to identify the fixture so it can be paired to a node.

##### *Step #3 – Order Material*

After receiving the required spreadsheets from the Municipality, the required nodes, fixtures, brackets and access point(s) (if required) can be ordered.

Smart Node Order Information 2 provided to select from;

Manufacturer – CimCon Lighting Inc.  
Part # ISLC-3100-5pin-s-a-g-CATC20 120 Volts  
Part # ISLC-3100-5pin-s-a-g-CATC20 347 Volts

Manufacturer – Acuity Brands ROAM Node.  
Part # DSN-127(120-277V)-BK-0-G-[blank]USM4-DSTY Suffix “YHZ”  
Part # DSN-347(347)-BK-0-G-[blank]USM4-DSTY Suffix “YHZ”

#### *Step #4 – Complete Smart Node Template*

Using the information from the spreadsheet provided by the Municipality and the approved lighting design, fill out the Smart Node spreadsheet.

Each Smart Node has a serial number and a MAC ID which appear on two bar code stickers on the side of each node. These must be entered into the Smart Node spreadsheet using a handheld scanner or input manually. Each Smart Node is unique to a particular light fixture and needs to be assigned using the fixture number from the approved lighting design to identify each node and fixture as a pair.

Save the Smart Node template using the development name or file number and provide a copy to the Municipality.

When installing fixtures and nodes in the field, they must be installed as a pair based on the assignment created in the Smart Node spreadsheet. If they do not match, the monitoring system will place the node in the wrong location and flag an error. Correcting such errors will be the responsibility of the developer.

#### *Step #5 – Installation Inspection*

After the equipment has been installed, notify the Municipality of completion so that the Municipality can upload the Smart Node file into SLV and then check for system errors.

## 8.0 TRENCH REINSTATEMENT

### 8.1 INTRODUCTION

This section documents the requirements for reinstatement of trenches within the HRM rights-of-way. This document does not address trench excavation procedures, trench design, or associated safety related issues.

Notwithstanding the following, the nature and extent of the required reinstatement of the cuts will be at the sole discretion of the Municipal Engineer based upon field assessment of the section of roadway prior to the permanent reinstatement.

### 8.2 BACKFILL MATERIALS

The backfilling of trenches within roadways requires placement of the following material types;

#### 8.2.1 Embedment Materials

Embedment material is designed to provide a protective layer surrounding the utility and is comprised of the bedding layer, the haunch layer, and the cover layer. Bedding material shall be Type 1 gravel, or under limited conditions sand or clear stone (for example, around natural gas pipelines). Type 1 gravel shall meet all specification requirements of the *NSRBA Standard Specification for Municipal Services*.

Bedding material separating the trench base and service utility shall have a minimum compacted thickness of 100 mm. Haunch and cover layers shall be placed at a maximum thickness of 200 mm prior to compaction. All embedment material shall be compacted to a minimum density equal to 95% of Standard Proctor density. Sand used as embedment around natural gas pipelines does not require the same level of compaction; however, the compaction requirements must be achieved for all other layers and the expectation is that the sand layer does not negatively impact on the street and sidewalk related infrastructure. The use of clear stone shall be restricted to those conditions where the trench base holds excessive free water or conditions that prohibit the use of specified materials. The clear stone shall be surrounded with geotextile fabric to prevent migration of fines into voids in the clear stone.

#### 8.2.2 Structural Fill

Structural fill shall be placed immediately over the embedment material and extend to the subgrade for street gravels. Structural fill shall be placed in uniform layers not to exceed 300 mm before compaction. The top 300 mm of structural fill shall be compacted to a minimum density equal to 98% of Standard Proctor density with the underlying structural fill compacted to a minimum of 95% Standard Proctor density.

Structural fill may be suitable naturally occurring material or imported fill similar in composition to naturally occurring material. In either case the material shall be free of excessive organics or deleterious materials and be moisture conditioned to within  $\pm 3\%$  of the optimal moisture content as determined by the Standard Proctor test. Where natural occurring clayey soils are utilized as structural fill moisture conditioning in the form of drying may be required. The determination of “suitable natural occurring material” will be at the discretion of the Municipality. Controlled density fill or unshrinkable fill may be approved by the Municipality for use in small quantities in

tight or restricted-access areas where placing and compacting of fill or gravel is difficult. Controlled density fill shall not interfere with natural subsurface drainage patterns and be located a minimum of 600 mm below ground level to prevent differential frost movement. Controlled density fill shall meet the requirements of the *NSRBA Standard Specification for Municipal Services*.

### 8.2.3 Type 1 and Type 2 Gravel

Type 1 and Type 2 gravels shall be placed between the structural fill and the asphaltic concrete at the thickness specified in the details in Part B. Type 2 gravel may be replaced with Type 1 gravel on shallow trenches. Gravels shall be compacted to a minimum density equal to 100% of Standard Proctor density.

## 8.3 ASPHALTIC CONCRETE

Asphaltic concrete shall meet the *HRM Supplementary Specification* for hot mix asphalt concrete. The asphaltic concrete shall be placed over a Type 1 gravel base. The thickness, number of lifts and type of asphaltic concrete placed in any trench excavation shall be in accordance with the details in Part B. Asphaltic concrete shall be compacted to a minimum of 92% of the theoretical maximum density based on comparative loose mix samples recovered from the project.

Specific requirements pertaining to the remediation of pavements are provided below;

- (a) The pavement thickness shall not exceed that specified for the street classification in the details in Part B irrespective of pavement types (rigid, flexible, cobble stone).
- (b) Asphaltic concrete shall be placed with an asphalt spreader on streets where the PCI is greater than 60; the trenches are longitudinal and wider than 1.5 meters.
- (c) Where a concrete layer directly underlies the asphaltic concrete, the concrete shall be replaced with asphalt, and the replacement thickness of asphalt shall be the lesser of 250 mm or the combined thickness of the existing concrete and asphalt structure.
- (d) Shallow Trenches are those with a maximum depth of 1.2 m, and are typically for gas lines, telecommunication or electrical conduits and other utilities.
- (e) Deep Trenches are those deeper than 1.2 m, and are typically for water, wastewater and stormwater mains, but may include other utility pipes or conduits.
- (f) Except for local streets, the asphaltic concrete joint shall be located outside the wheel path of vehicles.
- (g) On streets that have a PCI greater than 40, the existing asphaltic concrete shall be cut back far enough that the edge is above gravel and soil that has not been disturbed by the excavation. The minimum cut back shall be 200 mm for shallow trenches and 300 mm for deep trenches.
- (h) Prior to placement of asphaltic concrete, the edges of the existing asphalt shall display smooth vertical cuts (full depth asphalt cut is required; however, if asphalt is greater than



250 mm a variance may be approved) which are in a straight line along the outside of the trench and parallel to the pavement cut on the opposite side of the trench. For longitudinal trenches the minimum distance between jogs (approximate 90 degrees to the edge of the pavement) shall be 5 meters, with no more than 4 jogs along any 50 meter section of trench. Jogs are normally not permitted for transverse cuts. Asphalt cuts are not to end at manholes or valves, and shall be a minimum of 1 meter from these structures.

- (i) The asphalt edges shall be clean and dry prior to applying a uniform application of tack coat which shall be allowed sufficient time to cure prior to the placement of joint sealant and asphaltic concrete.
- (j) Adhesive joint sealants such as Denso Reinstatement Tape or equivalent shall be used on construction joints on roadways which have a PCI greater than 40. This requirement may be waived in isolated areas where the existing asphalt is in such poor condition that placement of joint sealant is not practical.
- (k) At the discretion of the HRM representative Type C-HF asphalt may be utilized for the full depth of reinstatement, and for Local roads Type C-HF may be replaced with Special Type C. Individual lift thicknesses shall not exceed 75 mm for Type B-HF and 50 mm for Type C-HF asphaltic concrete. The Municipal Engineer may consider one lift up to 125 mm for narrow and shallow utility trenches with the expectation that the compaction requirements are met. In addition, the surface course shall not exceed the design thickness as specified in the details in Part B.
- (l) The proposed trench asphalt cut on a street with a PCI greater than 40 shall be moved to the following locations if within one meter of the:
  - edge of existing pavement.
  - edge of concrete curb or curb and gutter.
  - existing asphalt joint (provide a new clean cut).
- (m) Where more than 75% of the street asphaltic concrete pavement width is removed for a trench and the PCI of the street pavement is greater than 60 the existing asphaltic concrete on each side of the trench (to the full width of the street pavement) shall be milled and paved to a thickness of 50 mm. Where the street asphaltic concrete pavement width removed is between 50% and 75% and the PCI of the street pavement is greater than 60, the existing asphaltic concrete on each side of the trench shall be milled and paved to a thickness of 50 mm to the nearest existing longitudinal asphalt joint. If the existing asphaltic concrete in the above two cases is less than 75 mm, the full depth of the asphalt shall be removed and replaced.
- (n) The surface of the asphalt patch shall conform to the cross-section of the street surface to within 6 mm when checked with a 3 meter straightedge placed in any direction. There shall be no noticeable pavement marks or “ripples” caused by rolling and compaction of the asphalt.

- (o) Trench reinstatement between October 31 and May 1 shall be as per *HRM Supplementary Specification*.
- (p) Trenches that are open to vehicle or pedestrian traffic shall be reinstated with permanent or temporary asphalt (minimum of 50 mm thick) within 5 business days for Local Streets and 3 business days for Collector and Arterial Streets. Temporary asphalt placed between May 1 and October 31 shall be replaced with permanent asphalt within 45 days or by October 31, whichever comes first. Temporary asphalt placed between October 31 and May 1 shall be replaced with permanent asphalt by June 15.
- (q) Refer to Part B: Standard Details; Shallow Trench Reinstatement, Deep Trench Reinstatement and Trench Backfill and Reinstatement – Testing.

#### **8.4 CONCRETE CURB, SIDEWALK, AND DRIVEWAYS**

Concrete curb, sidewalk, and driveways shall meet the requirements of the *HRM Supplementary Specifications*.

Concrete curb shall be placed such that the minimum distance between any joints in the existing or proposed curb is 1.2 m.

#### **8.5 TESTING AND ENGINEER'S REPORT**

An Engineer's Report is required to certify that the requirements have been met.

The requirements for bedding, haunch, cover, and structural backfill are included in the details in Part B for Trench Backfill and Reinstatement – Testing; however, the Engineer's Report for these materials will only be required when the total length of trench for the project exceeds 100 meters, or when the HRM inspector has reason to believe that the specifications for those materials is not being met by the contractor. Compaction tests may not be required on the Type 2 gravel in emergency situations.

The Engineer of Record shall be a registered professional engineer licensed to practice in the Province of Nova Scotia who is in good standing with Engineers Nova Scotia and experienced in the testing requirements of this specification. The Engineer's Report shall be submitted to HRM within 2 weeks of completion. Maintain copies of all test results for a period of 2 years after the test date and if requested, make them available to HRM.

#### **8.6 WARRANTY PERIOD**

Any Contractor carrying out work under an HRM Streets and Services Permit is deemed to have become familiar with this specification and hereby agrees to carry out the trench reinstatement in accordance with the Guidelines. The utility cut shall have a warranty as stipulated in *By-Law S-300 Respecting Streets*. Any deficiencies identified by HRM shall be rectified within the time requested by HRM.

## 9.0 UTILITIES

### 9.1 NATURAL GAS

#### 9.1.1 General

- (a) Natural gas pipelines proposed to be installed within municipal streets shall be located so as to not interfere with, damage or impede maintenance access to any existing municipal infrastructure.
- (b) The gas distribution system shall be designed, installed and maintained to meet or exceed the standard set out in all applicable Federal, Provincial and Municipal enactments, codes and specifications, and the Canadian Standards Association (CSA) Oil and Gas Pipeline Systems Standard.
- (c) Warning marker tape shall be installed with natural gas pipelines installed using open trench techniques.

#### 9.1.2 Engineering Plan

- (a) Prior to any work within the street right-of-way, a detailed engineering plan must be submitted.
- (b) For elevated pressure pipelines, a plan and profile are required which accurately depict the location, depth and dimensions of proposed pipelines and existing water, wastewater and stormwater mains, service connections and other underground utilities within 3.0 meters of the proposed gas pipelines and also including pavement surface, curbs, drainage ditches, sidewalks, trees, street lights, fire hydrants, curb stops, valve boxes, property lines and other relevant features, with respect to the construction to be undertaken.
- (c) For plastic (PE) distribution pipeline, an engineering plan is required which accurately depicts all the information noted in 10.2.1 with the exception of depth information, unless otherwise required by the Municipal Engineer.

#### 9.1.3 Installation Within Existing Streets

- (a) Trenchless technology methods shall be considered, whenever possible, with particular consideration for crossing of sidewalks, curbs, driveways and in the vicinity of trees.
- (b) Unless otherwise authorized by the Municipal Engineer, separation of gas pipelines from water, wastewater and stormwater mains shall be approved by Halifax Water and separation from conduits and duct banks shall be as approved by Nova Scotia Power, Aliant and other telecommunications utilities as applicable.
- (c) Gas pipelines shall not be located within the bounds (tops of slope) of a drainage ditch.
- (d) Where there are existing structures (buildings, retaining walls, etc.) located at or near street lines, gas pipelines shall be located to accommodate the future reconstruction of such structures.

- (e) Gas pipelines shall be located such that the primary root systems of trees are not damaged.

#### **9.1.4 Installation Within New Streets**

- (a) All service connections which cross under the vehicular traveled way must be installed before completion of street construction.
- (b) Required service laterals shall extend from the main to 1.5 m outside the road right-of-way.

#### **9.1.5 Street Restoration**

This section applies to the restoration of existing streets after the installation of natural gas pipelines.

- (a) All construction shall meet the requirements of Chapter 8.0 - Trench Reinstatement section, and the *NSRBA Standard Specification for Municipal Services* together with the *HRM Supplementary Specification*.
- (b) All surfaces shall be restored to the same or better condition as previous to the pipeline installation to the satisfaction of the Municipal Engineer.

## 10.0 STREETS AND SERVICES ACCEPTANCE REQUIREMENTS

### 10.1 GENERAL REQUIREMENTS

Prior to the Halifax Regional Municipality accepting streets and services, the applicant must submit the following:

- (a) Record drawings, certified by a professional engineer licensed to practice in Nova Scotia, in 3 mil Mylar and electronic AutoCAD/Civil3D format prepared in accordance with the record drawing procedures contained in the Guidelines and a digital ASCII file containing three dimensional coordinates for all critical points, i.e. manholes, inverts, valves, water, wastewater and stormwater mains, natural gas pipelines, underground utilities, sign posts, curbs, sidewalk, trees, etc.;
- (b) Detailed records of all actual construction costs and quantities breakdown for each street;
- (c) All warranty deeds for streets, walkways, easements, parkland, and any other property being conveyed to the Municipality to be conveyed to the Municipality, in the specified form, at no cost to the Municipality;
- (d) Three copies of the final plan of subdivision showing the entire constructed Municipal street and all drainage easements or rights-of-way outlined in red; road reserves, walkways and parks outlined in yellow and easements outlined in green.
- (e) A certificate of title prepared by a solicitor, in the specified form, certifying that the conveyed lands are free from encumbrances;
- (f) Certification by a Nova Scotia Land Surveyor stating that all services have been installed within the boundaries of the streets, easements, walkways and any other land(s) reserved for public purposes; and that the as-constructed centre-line of the public street coincides with the final legal subdivision plans of the public street;
- (g) Certificate of Compliance from a professional engineer licensed to practice in Nova Scotia certifying that all works have been inspected and are completed according to the approved engineering drawings and specifications;
- (h) Copy of the Certificate to Construct from NSE and Professional Engineer's Certification of Compliance with NSE requirements for site stabilization and erosion control.
- (i) A final copy of the Geotechnical Materials Testing Report prepared by a certified professional engineer licensed to practice in Nova Scotia, including confirmation of materials, the thickness, and compaction of subgrade, and in accordance with section 2.4.9.
- (j) Warranty Security for one year in the amount of 10% of the actual costs of the streets and services.

- (k) Where services such as power-lines, communications, gas mains, etc., are placed within HRM right-of-way, the Municipality requires certification from the service provider that infrastructure has been designed and installed to their requirements.

## **10.2 STORM DRAINAGE SYSTEM REQUIREMENTS**

- (a) Submission and acceptance requirements to Halifax Water Design Specifications, and as per Chapter 4 – Stormwater Management of this document.

## **10.3 STREET LIGHTING REQUIREMENTS**

- (a) Submission and acceptance requirements in accordance with Chapter 7 – Street Lighting of this document.

## **10.4 STREET REQUIREMENTS**

- (a) Professional Engineer's Certification of Inspection and Completion at the following stages of street construction:
- after clearing (pre-construction).
  - after grubbing (before culvert and drain installation).
  - at subgrade prior to application of any gravels.
  - prior to surfacing gravel being applied.
  - prior to paving.
  - Final (prior to acceptance of services by the Municipality).
- (b) Copies of laboratory and field tests of materials (sieve analysis, density tests, concrete compressive strength tests, etc.), confirming that the specified standards for the materials were achieved;
- (c) Professional Engineer's Certification of asphalt mix, materials and plant placement are in compliance with HRM asphaltic concrete specification requirements.
- (d) Testing and Engineer's Report as per the Trench Reinstatement section.
- (e) New bridges accepted by the municipality shall conform to the Halifax Bridge certification policy, and shall be certified by a professional engineer licensed to practice in Nova Scotia.

## **11.0 OFF-STREET**

### **11.1 MUNICIPAL PROPERTIES**

The Municipality is working on creating language regarding guidelines for work on Municipal Properties. This may include Parks owned by the Municipality, as well as Municipal Facilities owned by the Municipality. These changes are underway and are expected to be completed for a future update to the Guidelines.

## 12.0 VARIANCE REQUEST PROCESS

As discussed in section 1.2, where the designer proposes variations from the Guidelines and where the designer can show that alternate approaches will produce the desired results, such approaches may be considered for approval. The designer shall, in the first instance, consider such factors as safety, nuisance, system maintenance, operational costs, life cycle costs, environmental issues, natural topography, configuration of the bulk land, etc. The designer shall provide a rationalization of these same factors in considering alternate approaches.

When a design variance has been requested, the Engineer of Record shall submit the request in conformance with the requirements as outlined in section 12.1 – Submission Requirements. The Engineer of Record shall take into account the elements as outlined above. Each variance request will ultimately be assessed, and where practical, the Municipal Engineer shall provide a final decision in writing within 15 business days upon conclusion of the review. Where a request has been denied the applicant may consider additional options and resubmit for review.

Approved variance requests may be considered for inclusion into future editions of the Guidelines.

The following format is to be used by the Engineer of Record requesting an engineering design variance as it relates to this document. These requests may originate from internal or external parties.

The completed submission is intended to provide a detailed overview to the reviewers on the variance and is to outline all factors considered as part of the applicant's recommendation.

### 12.1 Submission Requirements:

- (a) Each design variance must be submitted by the Engineer of Record, and provide a detailed description of the following:
  - (i) Identify the variance request and provide a brief description. Identify standards and/or guidelines that may contradict this document. Identify other standards/guidelines that are accepting of the design variance.
  - (ii) Identify key criteria to be considered in the variance request.
  - (iii) Prepare and present an engineering analysis in order to consider the design exception as acceptable.
  - (iv) List mitigative factors that support the design exception.
  - (v) Provide a description with respect to how the requested variance meets the considerations as outlined in the Guidelines. Pursuant to the Guidelines, "The designer shall in the first instance consider such factors as safety, nuisance, system maintenance, operational costs, life cycle costs, environmental issues, natural topography, configuration of the bulk land, etc. The designer shall provide the Municipal Engineer a rationalization of these same factors in considering alternate approaches."
  - (vi) Outline the recommendation based on the above.



- (b) The applicant is to identify if any consultation was conducted and is to provide an overview of the recommendations from the consultation process.
- (c) The applicant is required to include relevant reports, studies, cross sections and / or detailed engineering plans (where applicable) as part of the submission.

## APPENDIX A – GLOSSARY AND ACRONYMS

### GLOSSARY

Approval: The approval of the Municipal Engineer.

Accessible: Planning, design and programming that enables access by people with a variety of physical and intellectual abilities.

Active Transportation: Human-powered, personal travel chosen as an alternative to motorized travel; includes walking, running, hiking, the use of a wheelchair, bicycling, cross-country skiing, skateboarding, canoeing, rowing or kayaking.

All Ages and Abilities (AAA): Planning, design and programming that enables use by people of all ages and with a variety of physical abilities.

Barrier-free: Design that enables access by people with or without a variety of physical abilities.

Bicycle Facility: An umbrella term referring to a variety of treatments that make riding a bicycle safer and more comfortable e.g. bicycle lane, multi-use pathway, etc.

Bikeway: Routes or pathways used for bicycling.

Bollards: A short post designed to guide traffic and protect from vehicle intrusions. Bollards can be manufactured and installed to withstand significant vehicle impacts, but they can also be used as visual barriers. Many bollards also contribute decorative elements to complement building and landscape designs.

Boulevard: The part of the street right-of-way between the sidewalk and the curb, surfaced in grass or other vegetation (but when surfaced in hard materials like concrete or unit pavers is referred to as the ‘furnishing zone’).

Charter: The Halifax Regional Municipality Charter, 2008, C. 39, as amended.

Contractor: Any person who, for another person, carries out work or supplies labour for the alteration, construction, demolition, excavation, or development of land or a structure.

Complete Streets: An approach to planning, design, operations and maintenance of roads, sidewalks, landscaping and rights-of-way that enables safe, convenient and comfortable travel and access for users of all ages and abilities regardless of transportation mode (e.g. on foot, on a bicycle, using transit, in a private vehicle). It recognizes that public streets are also places that can serve a social, economic and ecological function.

**Control Vehicle:** A vehicle that design must accommodate for infrequent use, but encroachment into the opposing traffic lanes, multiple-point turns, or minor encroachment into the streetside is acceptable. A condition that uses the control vehicle concept arises when occasional large vehicles turn at an intersection with low opposing traffic volumes (such as a moving van in a residential neighbourhood or once-per-week delivery at a business) or when large vehicles rarely turn at an intersection with moderate to high opposing traffic volumes (such as emergency vehicles).

**Council:** The Council of the Municipality.

**Curb Extensions:** A treatment that increases the width of a sidewalk while also reducing the width of a street to shorten pedestrian crossing distance, improve visibility, reduce traffic speeds and improve off-street amenities. Curb extensions, which can be located on intersection corners as well as at mid-block, are commonly referred to as 'bump-outs' or 'neck downs'.

**Curbside Uses:** Primarily refers to parking and loading. May also specifically include accessible parking, taxi stands and waste collection.

**Decorative Paving Band:** Typically, a strip of small concrete 'bricks' located between the sidewalk and the curb, when grass becomes too challenging to maintain in this zone (e.g. due to high pedestrian volumes or intense curbside use). This element enhances area aesthetics and can define the edge of the pedestrian through zone, as there may be obstacles such as poles, trees, bicycle racks and other street furniture within the zone of the paver edge.

**Density:** A measure of the number of people or housing units occupying a given area of land. The measure may reflect the general character of the housing types in a neighbourhood.

**Design Vehicle:** A vehicle that the street or intersection design must be regularly accommodate without encroachment into the opposing traffic lanes. A condition that uses the design vehicle concept arises when large vehicles regularly turn at an intersection with high volumes of opposing traffic (such as a bus route).

**Development:** Includes any erection, construction, addition, alteration, replacement or relocation of or to any building or structure and any change or alteration in the use made of land, buildings or structures.

**Ditch:** An excavated or constructed open channel.

**Engineer of Record:** A person who practices professional engineering and is a registered member, in good standing, of Engineers Nova Scotia. Referenced in this document, as the professional engineer under whose signature the engineering design is sealed.

**Frontage Zone:** The right-of-way space "behind" the sidewalk, or between the sidewalk and the property line, or in the cases of rural cross sections, between the ditch and the property line. It is intended to allow space for guying and stubbing of utility poles for stability, or a buffer for sidewalk repair or ditch maintenance. In the Regional Centre, the frontage zone may be used for location of additional streetscaping elements.

Furnishing Zone: Part of the street right-of-way between the sidewalk and the curb, surfaced in hard materials like concrete or unit pavers (but when surfaced with grass is referred to as the “boulevard”).

Green Infrastructure: Stormwater infrastructure, such as retention ponds, rain gardens, and bio-swales, that reduce and treat stormwater close to its source, providing water for plants and trees while naturally filtering the stormwater before it returns to local waterways.

Greenfield Development: Development in a previously undeveloped site.

Halifax Regional Municipality (HRM): The Regional Municipality established by the Halifax Regional Municipality Act and includes the area over which that body corporate has jurisdiction.

Halifax Water: (Halifax Regional Water Commission). The municipal water, wastewater and stormwater utility for the Municipality. Halifax Water is authorized to own and operate the water supply, wastewater and stormwater facilities for HRM.

Halifax Water Design Specifications: The latest edition of the specifications in accordance with the Halifax Regional Water Commission Act and containing the minimum design standards and specifications for all municipal water distribution systems, wastewater systems and stormwater systems.

Infill Development: Development of vacant or under-used parcels within existing built-up areas that are already largely developed.

Land Use: The classification of the natural and built environment, as it exists or as prescribed by policy or regulation.

Link: The role of a street in serving as a facility for the movement of people through the corridor.

Local Street Bikeway: Designated routes for bicycling on quieter, local streets.

Median: The central strip separating opposing lanes of traffic. Often used for landscaping and trees.

Mixed-use: Different activities and building occupancies that are arranged close to one another. These different uses may be located on the same site, in the same building or along the same street.

Mobility: The ability to travel and move around the city easily and efficiently.

Multi-modal Level of Service (MMLOS): A framework used to evaluate transportation infrastructure, often applied when considering changes to existing streets and intersections. MMLOS ratings consider the level of comfort and delay felt by private vehicles, pedestrians, bicyclists and transit users and enables the analysis of “trade-offs” of various allocations of the urban street cross section.

Multi-Unit Residential: A building which contains four or more residential dwelling units.

Multi-use Pathways: Three to four metre wide paved or crusher dust trails that form part of a network intended for walking, bicycling and other active modes.

Municipality: The Halifax Regional Municipality, body corporate including staff, as under the HRM Charter.

Municipal Engineer: The Engineer of the Halifax Regional Municipality and includes a person acting under the supervision and direction of the Municipal Engineer, as defined in the Halifax Regional Municipality Charter.

Municipal Service Systems: Includes wastewater systems, water distribution systems, storm drainage and control systems, road/street systems, street lights, signal lights, sidewalk, curb and gutter, street trees, etc.

Non-Standard Features: Elements not included in the Municipal Design Guidelines but which may be approved for inclusion within the right-of-way through a formal variance granted by the Municipal Engineer.

Peak Hour: For transportation modelling, the “AM or PM peak hour” is a single hour that occurs during the morning or afternoon peak where the largest number of persons are commuting between work/school and home. The peak hour is different for each intersection and, each region and varies from day to day.

Pedestrian Oriented: Elements of planning and urban design that prioritize the needs and comfort of pedestrians. The intent is to create safer, comfortable and more enjoyable environments for people of all ages and abilities. Specific pedestrian orientated design elements include interconnected streets, short blocks, four way intersections, hard surfaced pathways and an extensive sidewalk network.

Place: The role of a street in serving as a destination for people to spend time.

Placemaking: A collective and collaborative approach to planning and design that aims to create or reinvent existing spaces as memorable, quality public spaces.

Planter: A large, immovable, above-ground vessel for soil, typically planted with perennial plants and/ or trees (in contrast to “container”).

Professional Engineer: A registered/licensed member, in good standing, of Engineers Nova Scotia and is referenced in this document particularly as the Engineer of Record.

Protected Bicycle Lane: Bicycle lane separated from motor vehicle traffic with a physical barrier between the bicycle and motor vehicle lanes.

Rapid Transit: Transit service separated partially or completely from general road traffic and therefore able to maintain higher levels of speed, reliability and vehicle productivity than can be achieved by transit vehicles operating in mixed traffic.

**Refuge Island:** means a protected space in the centre of the street facilitating bicycle and pedestrian crossings by allowing one direction of traffic to be crossed at a time.

**Refuge Median:** The strip of land between the lanes of opposing traffic on a divided road, enabling pedestrians to pause in a safer location while crossing.

**Regional Centre:** The urban core of the Municipality, including the Halifax Peninsula and Dartmouth within the Circumferential Highway, as defined in the *Regional Centre Secondary Municipal Planning Strategy (Centre Plan)*.

**Retrofit:** Construction in existing built-up areas. This may include infill development, significant renovations, or recapitalization projects.

**Right-of-way (ROW):** A strip of public land including and bordering a street, road or pathway.

**Sidewalk:** The portion of a street between the curb line and adjacent property line or any part of a street specifically designated for pedestrian travel and separated from the travel way.

**Staff:** The staff of the Municipality.

**Stormwater Best Management Practice (BMP):** means a structural, vegetative, or managerial practice used to treat, prevent or reduce water pollution, including green stormwater infrastructure such as retention ponds, bioswales, and green roofs.

**Stormwater:** Water from precipitation of all kinds and includes water from the melting of snow and ice, groundwater discharge and surface water.

**Stormwater Runoff:** That part of the precipitation which travels by surface flow.

**Stormwater System:** The method or means of carrying and controlling stormwater, including ditches, culverts, swales, sewers, drains, canals, ravines, gullies, pumping stations, retention ponds, streams, watercourses, floodplains, ponds, springs, creeks, streets or private roads, roadways or driveways.

**Street:** Any public road, street or highway owned and maintained by the Municipality or by NSTIR.

**Street Furniture:** Permanently installed or temporarily placed furniture, including but not limited to benches, tables, chairs; receptacles for waste and recycling; bicycle racks; bollards, and other pieces intended for use by the public, but excluding newspaper boxes, mailboxes, traffic and utility poles, and smoking receptacles.

**Street Line:** The boundary of a street.

**Streetscape:** The elements within and along the street that define its appearance, identity and functionality, including adjacent buildings and land uses, street furniture, landscaping, trees, sidewalks and pavement treatments, among others.

**Subdivision**: The division of an area of land into two or more parcels and includes any re-subdivision of an existing lot or a consolidation of two or more parcels.

**Surveyor**: A land surveyor who is a registered member in good standing of the Association of Nova Scotia Land Surveyors.

**Tactile Walking Surface Indicator (TWSI)**: A textured ground surface feature to assist people who are visually impaired to navigate the surrounding environment.

**Traffic Authority**: The deputized traffic authority as defined in the Halifax Regional Municipality Charter, who has all the powers conferred upon a traffic authority by or under the Nova Scotia Motor Vehicle Act.

**Traffic Calming**: A combination of primarily physical measures that reduce the negative effects of motor vehicle use, alter driver behaviour, and improve conditions for all street users. Measures to slow the speed of traffic.

**Traffic Impact Assessment**: A process that evaluates the impacts that a proposed development will have on the surrounding transportation network, and identifies measures that are required to mitigate impacts of the proposed development with the envisioned transportation network for all modes of travel.

**Transit Priority Corridor**: A street in the transportation network that features measures to give increased priority to transit vehicles, such as dedicated bus lanes.

**Transit Priority Measures (TPM)**: Tools used to reduce delays, improve reliability and increase the average operating speed. Some of the most common TPMs include: traffic signal priority, queue jumps, bus lanes that are separated from motor vehicles (e.g. busways, railways). TPMs can also include traffic regulations, such as “Yield to Bus” legislation.

**Travelway**: The portion of a road, sidewalk, or pathway in which people or vehicles travel.

**Urban Forest**: Every tree within the city. Includes all the trees in urban communities, including those in parks, along streets and multi-use pathways, in natural areas and on private property.

**Urban Service Boundary**: Urban and suburban areas with piped water distribution, and wastewater and stormwater services.

**Urban Tax Boundary**: The area where Halifax applies a general tax rate to all applicable taxable properties.

**Urban Transit Service Boundary**: The outer limit for providing conventional bus service, as prescribed in the Regional Plan. It closely follows the Urban Service Boundary.

**Unshrinkable Fill**: A low strength cementitious material consisting of Portland cement, flyash, water, aggregates and admixtures suitable for backfill in underground service, utility trenches and structures.

Walkable: A single route or a network of routes, between points, that is relatively short, barrier free, interesting, safer, well-lit, comfortable and inviting to pedestrian travel.

Watercourse: (i) the bed and shore of every river, stream, lake, creek, pond, spring, lagoon or other natural body of water, and the water therein, within the jurisdiction of the Province, whether it contains water or not, and (ii) all groundwater. As defined by the *Environment Act* 1994-95, c. 1, s. 1

Wayfinding signage: Signage helping to direct users from point to point, or confirming their progress along a route.

Wheeling: Refers to people travelling using wheelchairs or other assisted modes of transportation. Wheeling does not refer to bicycling. All uses of “walking” are also assumed to include “wheeling”.



## ACRONYMS

AAA	All Ages and Abilities
AASHTO	American Association of State Highway and Transportation Officials
BMP	Best Management Practices
CENS	Consulting Engineers of Nova Scotia
CSA	Canadian Standards Association
HRM	Halifax Regional Municipality
IESNA	Illumination Engineering Society of North America
ITE	Institute of Transportation Engineers
JCCD	Joint Committee on Contract Documents
LED	Light Emitting Diode
MUP	Multi-Use Pathway
MMLOS	Multi-modal Level of Service
NACTO	National Association of City Transportation Officials
NSE	The Department of Nova Scotia Environment
NSRBA	Nova Scotia Road Builders Association
NSTIR	The Nova Scotia Department of Transportation and Infrastructure Renewal
PCI	Pavement Condition Index
RRFB	Rectangular Rapid Flashing Beacon
SLV	Street Light Vision
TAC	Transportation Association of Canada
TPM	Transportation Priority Measure

# APPENDIX B – MAPS



Figure B-1 Map of Proposed All Ages & Abilities Bicycle Network (2022)

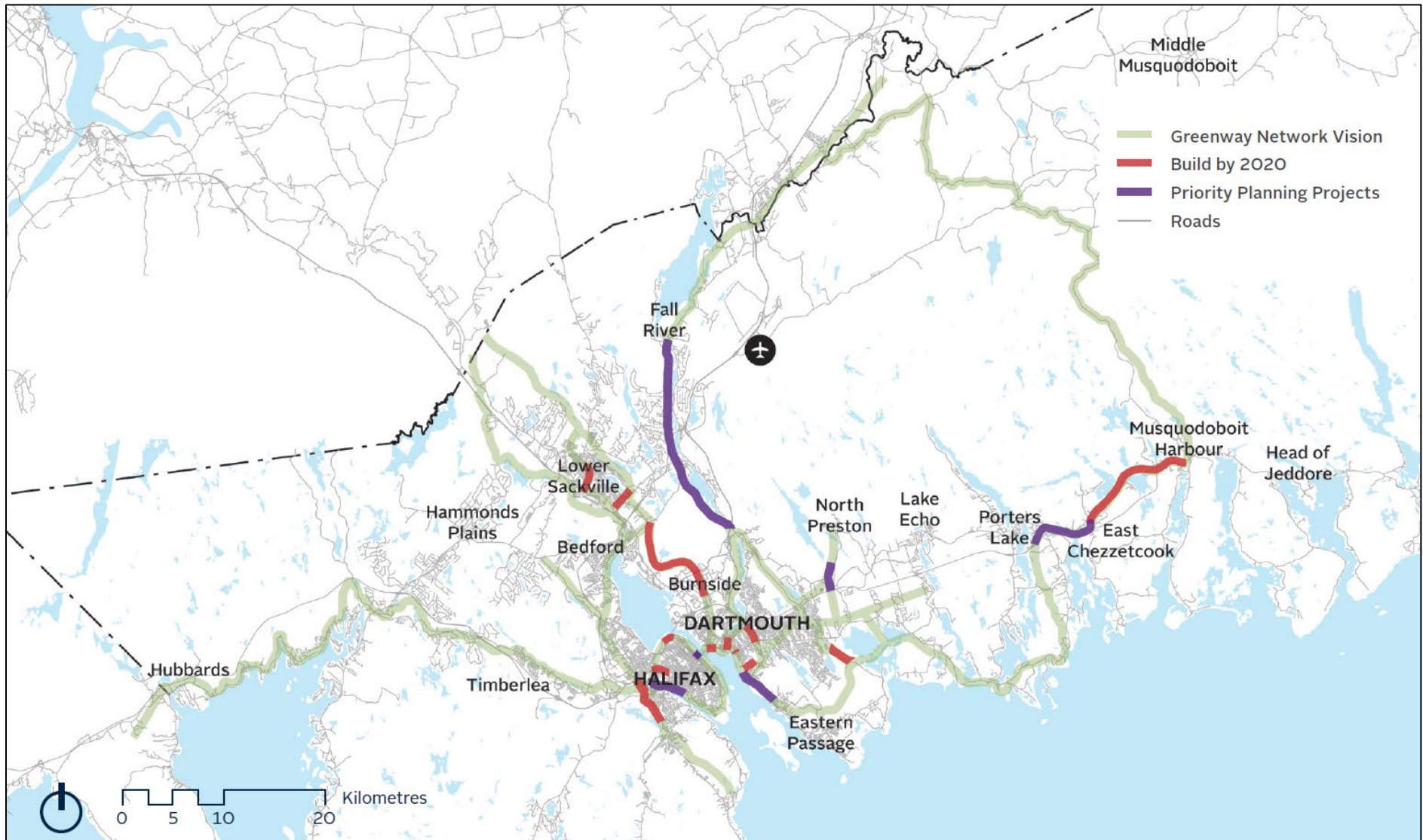


Figure B-2 Map of Priority Connections for Multi-Use Pathways (Source: Figure 18 of the *Integrated Mobility Plan*)

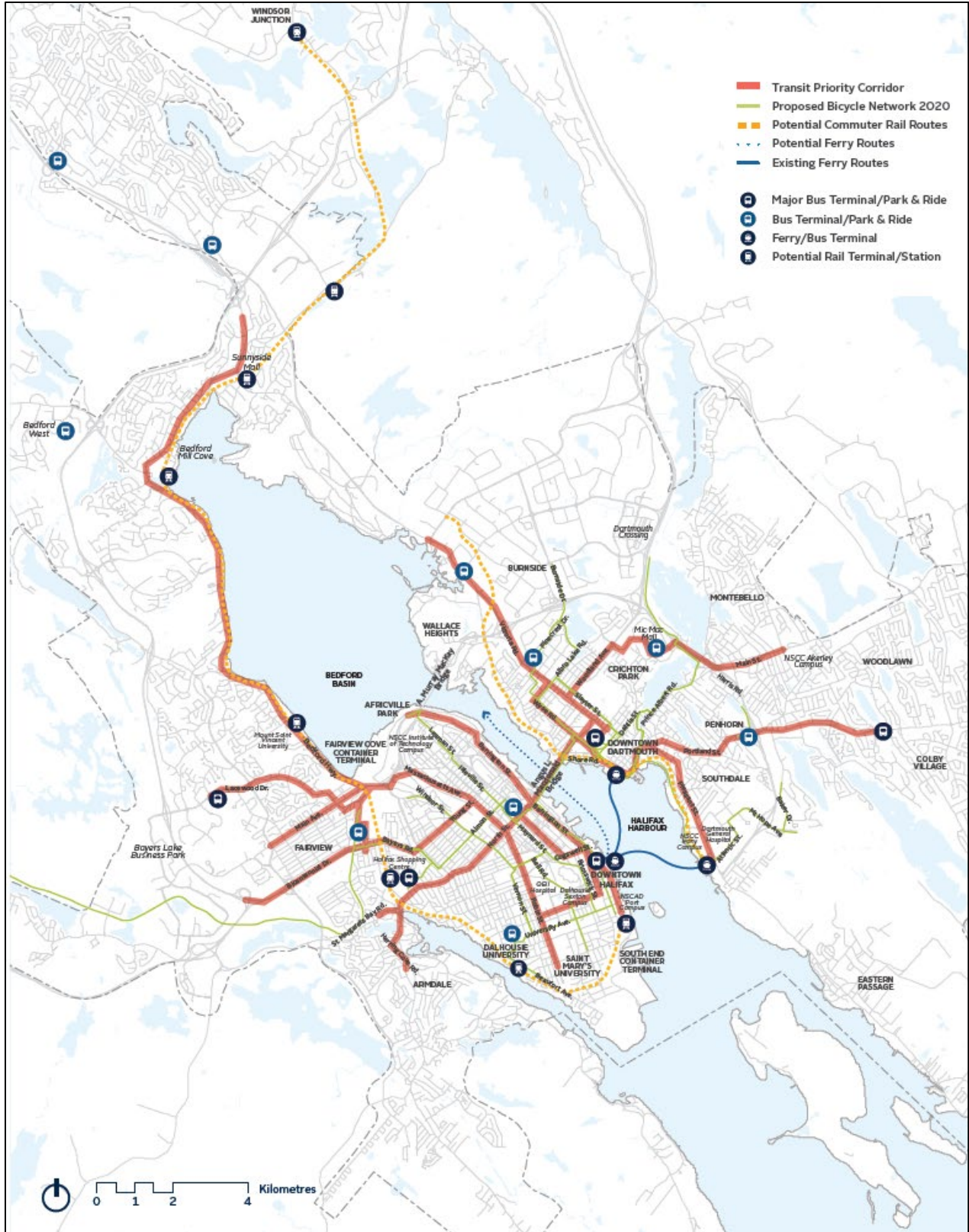


Figure B-3 Proposed Transit Priority Corridors Map (Source: Figure 20 of the *Integrated Mobility Plan*)

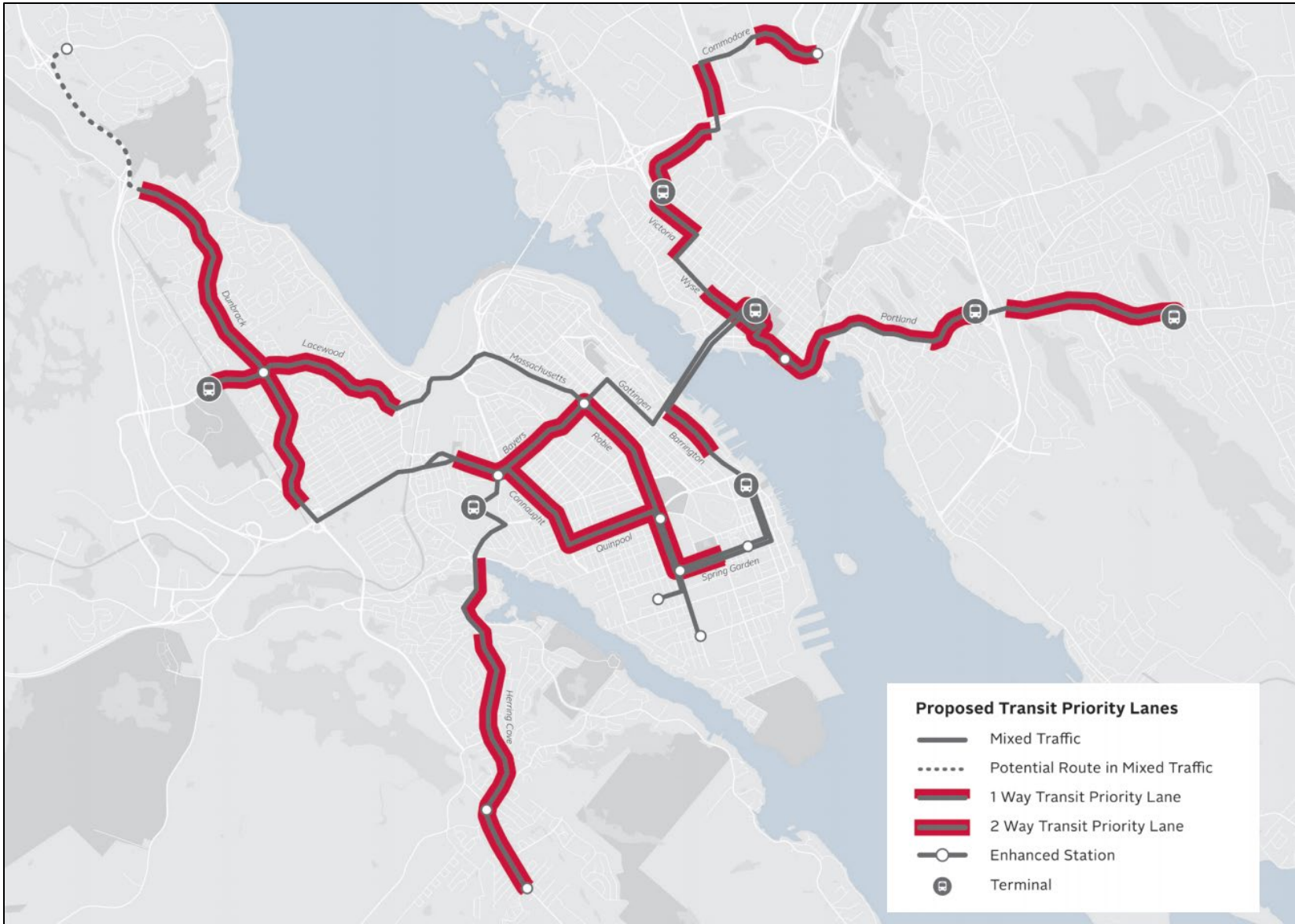
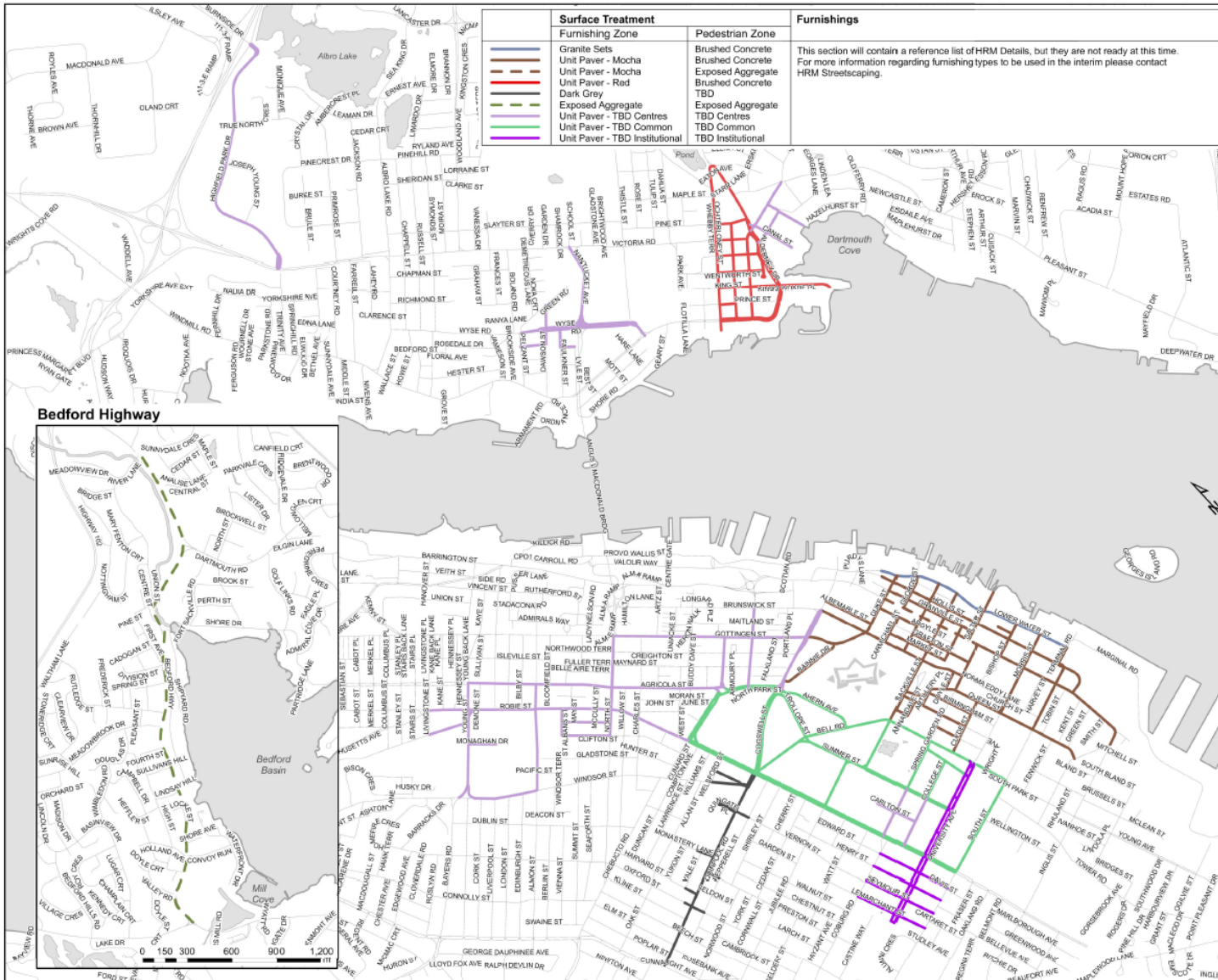


Figure B-4 Map of Transit Priority Lanes (Source: Figure 26 of the Rapid Transit Strategy)

## MAP 301 Sidewalk Treatment and Furnishings



- Notes:**
- A decorative band of unit pavers is required in the furnishing zone where indicated on this map unless a grass boulevard is permitted by the Municipal Engineer or their delegate
  - For more information on furnishing zone treatment in areas indicated 'TBD', please contact HRM Streetscaping
  - Hardscape options must be used for tree planting (as described in Chapter 5) in all areas where the furnishing zone has a hard surface such as unit pavers
  - Refer to Map 302 'Signature Streets' for major streets with atypical street treatment requirements
  - HRM does not guarantee the accuracy of any representation on this plan

# HALIFAX

0 150 300 600 900 1,200 1,500

Date: 3/17/2021

Proj No: 18-004

Figure B-5 Map of Sidewalk Treatment and Furnishings



## MAP 302 Signature Streets

### ARGYLE ST & GRAFTON ST

- Large block unit pavers sidewalk and street
- Distinct paver pattern and colour
- Curbless cross section (rolled curb west side on Grafton Street)
- Trench drain
- Soil cells & tree planters
- Custom lighting, LED canopy
- Benches: Maglin MLB300M (with back) or MLB300B (backless) or equivalent
- Bollards: BEGA system bollard with integrated light and GFCI outlet
- Bike Rack: Black post and ring
- Waste Receptacles: Two stream Big Belly™
- Public art & gateway features

### BEDFORD ROW

- Full unit paver sidewalks & furnishing zone; colour mocha
- Exposed aggregate concrete roadway
- Exposed aggregate concrete planters

### SPRING GARDEN RD

- Large block unit pavers sidewalk, cobble furnishing zone
- Soil cells & rain gardens
- Public art & gateway features
- Further description to be added after construction

### GRANVILLE ST

- Unit pavers & cobble stone
- Block stone planters
- Benches: Maglin MLB300M
- Bike Rack: Black post and ring
- Public art & gateway features

### COGSWELL DISTRICT

- Description to be added after construction

### PRINCE ST

- Concrete roadway
- East curb mountable with parking at sidewalk level
- Exposed aggregate planters and bollards
- Red unit pavers in furnishing zone and on-street parking area
- Mulched tree pits

### Notes:

- This map provides a high-level overview of specialized features to be maintained on signature streets. For reinstatement of these streets following development, utility cuts, civic works, or for any other reason, the original design drawings or HRM Standard Details (where applicable) must be requested and followed. Contact HRM for guidance on the reinstatement of signature streetscapes.
- HRM does not guarantee the accuracy of any representation on this plan.

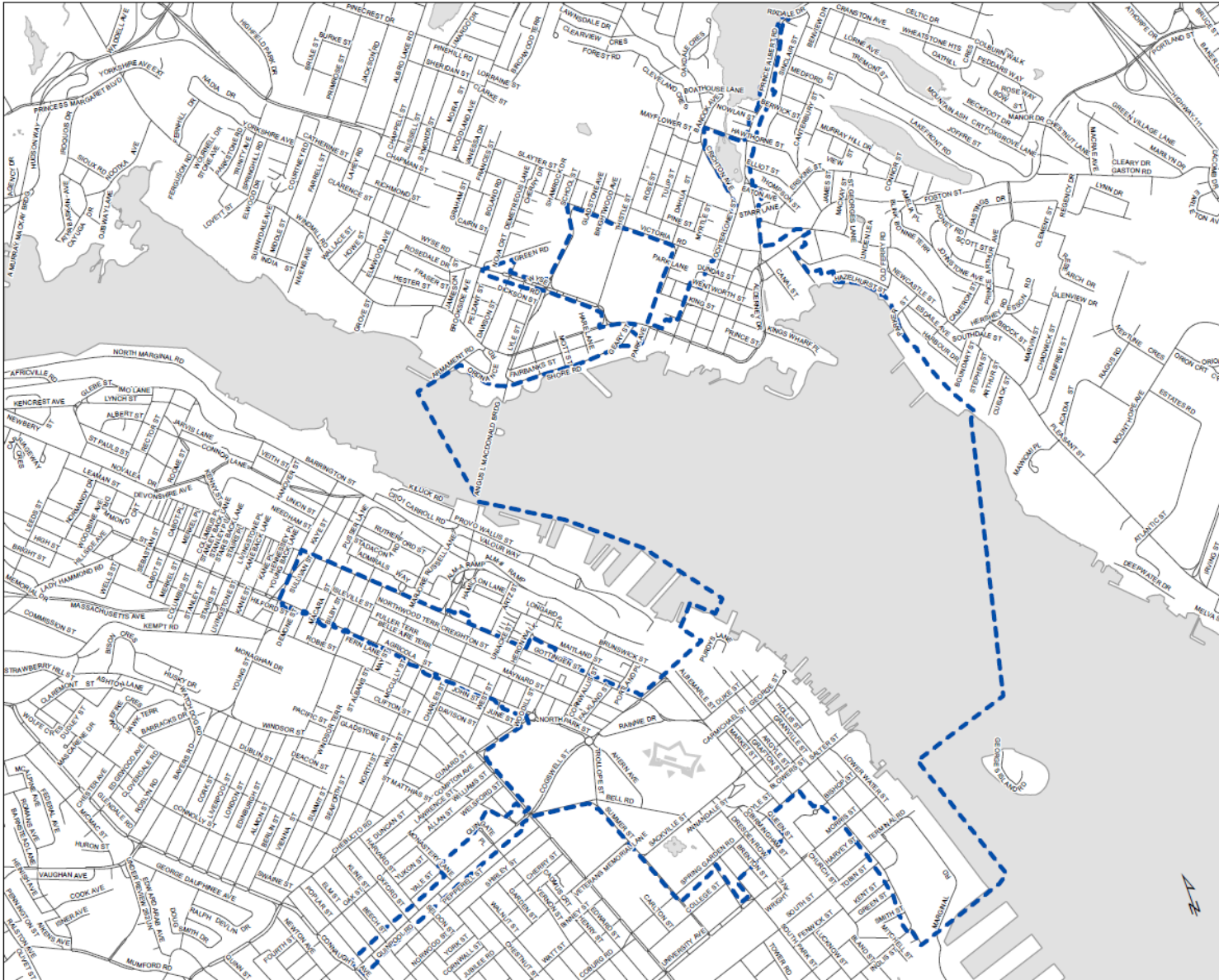
# HALIFAX

0 150 300 600 900 m

Date: 6/1/2020

Proj No: 18-004

Figure B-6 Map of Signature Streets



**MAP 303**  
**Enhanced Maintenance Area**

**Legend**  
- - - - - Enhanced Maintenance Boundary

**Enhanced Maintenance Area Description**

Within the Enhanced Maintenance Area, HRM supports landscaping, litter removal, maintenance of furnishings, unit pavers and other streetscaping elements within parks, green spaces and the street right-of-way.

**Notes:**  
 • HRM does not guarantee the accuracy of any representation on this plan.



Date: 6/1/2020 Proj No: 18-004

Figure B-7 Map of Enhanced Maintenance Area





**MAP 304  
Granite Curb**

**Legend**

- Granite Curb**
- Existing
  - - - - - Proposed

- Notes:**
- Granite curb shall be maintained where extensive lengths remain (Existing).
  - All new curb on the blocks surrounding Grand Parade and Province House must be granite (Proposed).
  - HRM does not guarantee the accuracy of any representation on this plan.

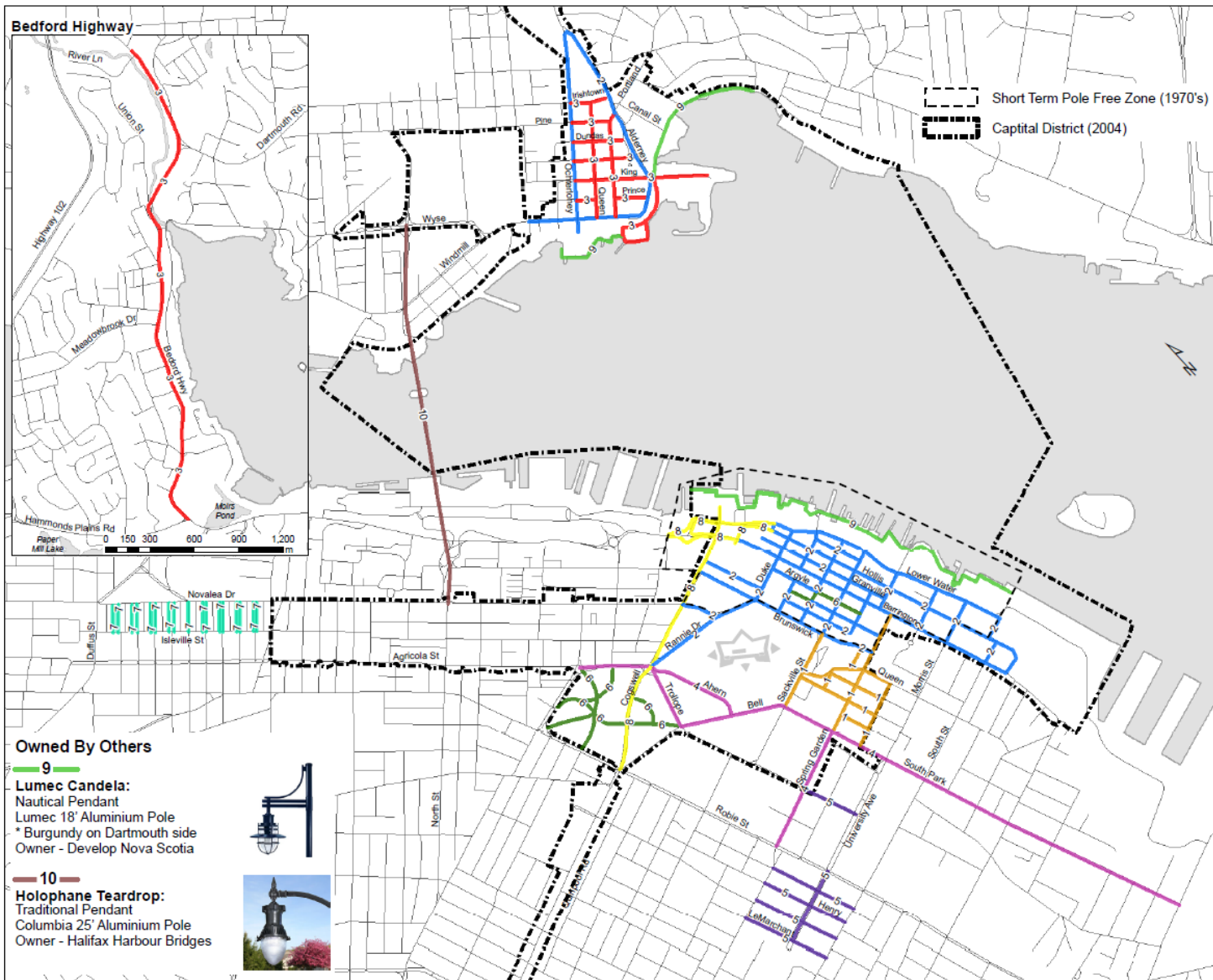
**HALIFAX**



Date: 6/1/2020

Proj No: 18-004

Figure B-8 Map of Granite Curb



### Map 305 Street Lighting Plan

- 1**  
**Holophane Pechina:**  
 Contemporary with Arm  
 Sitelink 25' Aluminium Pole
- 2**  
**Lumec Square:**  
 Historic Lantern  
 Aluminous 18' Aluminium Pole
- 3**  
**Holophane Columbia Series:**  
 Utility Post Top Series  
 12' Columbia Series Pole
- 4**  
**Holophane Washington w/ Band:**  
 State Street Series  
 Valmont 20' Decorative  
 Aluminium Pole
- 5**  
**Holophane Washington w/ Ribs, Band and Black Top:**  
 State Street Series  
 Valmont 20' Decorative  
 Aluminium Pole
- 6**  
**Lumec Urbanscape:**  
 Contemporary Lantern  
 Lumec 14' Aluminium Pole
- 7**  
**Lumec Ancestra:**  
 Historic Lantern  
 Traditional 12' Aluminium Pole
- 8**  
**Schreder Yoa:**  
 Side Mount - Yoa Maxi w/ Lucea  
 Arm on 9m Pole OR  
 Pole Mount - Yoa Midi w/ Lyre on  
 6m Pole



**Notes:**  
 • HRM does not guarantee the accuracy of any representation on this plan.

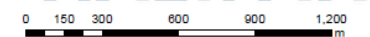


Figure B-9 Map of Street Lighting Plan

## APPENDIX C – LIST OF REFERENCED DOCUMENTS

- (1) Active Transportation Priorities Plan, “Making Connections: 2014-2019 Active Transportation Priorities Plan”, Halifax Regional Municipality, 2014, Link: <https://www.halifax.ca/transportation/transportation-projects/active-transportation>
- (2) Bicycle Parking Guidelines, Association of Pedestrian and Bicycle Professionals: <https://www.apbp.org/Publications>
- (3) Centre Plan, “Regional Centre Secondary Municipal Planning Strategy”, Halifax Regional Municipality, 2021, <http://centreplan.ca/>
- (4) Community Plan Areas, Halifax Regional Municipality, Link: <https://www.halifax.ca/about-halifax/regional-community-planning/community-plan-areas#PlanAreas>
- (5) Canadian Highway Bridge Design Code, CSA S6:19, Link: <https://www.csagroup.org/canadian-highway-bridge-design-code/>
- (6) HalifACT Plan, “HalifACT 2050 – Acting on Climate Together”, Halifax Regional Municipality, 2019, Link: [https://www.halifax.ca/sites/default/files/documents/about-the-city/energy-environment/HRM\\_HaliFACT\\_vIssued%20with%20Foreword.pdf](https://www.halifax.ca/sites/default/files/documents/about-the-city/energy-environment/HRM_HaliFACT_vIssued%20with%20Foreword.pdf)
- (7) Halifax Municipal Design Guidelines link: <https://www.halifax.ca/transportation/streets-sidewalks/municipal-design-guidelines-red-book>
- (8) Halifax Regional Municipality Charter, Link: [https://www.halifax.ca/sites/default/files/documents/about-the-city/energy-environment/HRM\\_HaliFACT\\_vIssued%20with%20Foreword.pdf](https://www.halifax.ca/sites/default/files/documents/about-the-city/energy-environment/HRM_HaliFACT_vIssued%20with%20Foreword.pdf)
- (9) Halifax Regional Municipality Legislation and By-Laws, Link: <https://www.halifax.ca/city-hall/legislation-by-laws>
  - a. By-Law E-200 (Encroachment By-Law): <https://www.halifax.ca/city-hall/legislation-by-laws/by-law-e-200>
  - b. By-Law S-300 (Streets By-Law): <https://www.halifax.ca/city-hall/legislation-by-laws/by-law-s-300>
  - c. By-Law S-1000 (Sidewalk Café By-Law): <https://www.halifax.ca/city-hall/legislation-by-laws/by-law-s-1000>
  - d. By-Law T-600 (Tree By-Law): <https://www.halifax.ca/city-hall/legislation-by-laws/by-law-t-600>

- e. Administrative Order 2020-012-OP Regional Centre Streetscaping Administrative Order: <https://www.halifax.ca/city-hall/legislation-by-laws/administrative-order-2020-012-op>
  - f. Administrative Order 2020-010-OP Respecting Stormwater Management Standards for Development Activities: <https://www.halifax.ca/city-hall/legislation-by-laws/administrative-order-2020-010-op>
- (10) Halifax Regional Municipality Supplementary Specifications, Link: <https://www.halifax.ca/business/doing-business-halifax/procurement/terms-conditions>.
  - (11) Halifax Regional Plan, “Halifax Regional Municipal Planning Strategy”, Halifax Regional Municipality, 2014, Link: <https://www.halifax.ca/about-halifax/regional-community-planning/regional-plan>
  - (12) Halifax Strategic Road Safety Plan, “Strategic Road Safety Plan 2018-2023”, Halifax Regional Municipality, Link: <https://www.halifax.ca/transportation/streets-sidewalks/road-safety>
  - (13) Halifax Water Design Specifications, “Design Specifications & Supplementary Standard Specifications for Water, Wastewater & Stormwater Systems”, Halifax Water, Link: <https://www.halifaxwater.ca/halifax-water-specifications-forms> .
  - (14) Illumination Engineering Society of North America (IESNA) Handbook: <https://www.ies.org/>
    - a. IES RP-8 Roadway Lighting Design Guideline Manual
    - b. IES DG-19 Design Guideline for Roundabout Lighting
  - (15) Integrated Mobility Plan, “Halifax Integrated Mobility Plan”, Halifax Regional Municipality, 2017, Link: <https://www.halifax.ca/about-halifax/regional-community-planning/transportation-planning>
  - (16) Moving Forward Together Plan, Halifax Regional Municipality, 2014, Link: <https://www.halifax.ca/transportation/halifax-transit/plans-reports>
  - (17) National Association of City Transportation Officials, Link: <https://nacto.org/>
  - (18) Nova Scotia Accessibility Act, Government of Nova Scotia, Link: <https://nslegislature.ca/sites/default/files/legc/statutes/accessibility.pdf>
  - (19) Nova Scotia Building Act, Government of Nova Scotia, Link: <https://nslegislature.ca/sites/default/files/legc/statutes/buildcod.htm>
  - (20) Nova Scotia Erosion and Sediment Control Manual, “Erosions and Sedimentation Control Handbook for Construction Sites”, Nova Scotia Environment, Link:

<https://novascotia.ca/nse/surface.water/docs/erosionsedimentcontrolhandbook.construction.pdf>

- (21) Nova Scotia Motor Vehicle Act, Government of Nova Scotia, Link: <https://nslegislature.ca/sites/default/files/legc/statutes/motor%20vehicle.pdf>
- (22) Rapid Transit Strategy, Halifax Regional Municipality, 2020, <https://www.halifax.ca/transportation/halifax-transit/plans-reports>
- (23) Standard Specification for Municipal Services, Joint Committee on Contract Documents in Association with Nova Scotia Road Builders Association, Consulting Engineers of Nova Scotia and Landscape Nova Scotia, Link: <https://www.standardspec.ca/>
- (24) Regional Subdivision By-Law, Halifax Regional Municipality, Link: [https://www.halifax.ca/sites/default/files/documents/business/planning-development/Regional%20SBL\\_Eff\\_July%2030%202016.pdf](https://www.halifax.ca/sites/default/files/documents/business/planning-development/Regional%20SBL_Eff_July%2030%202016.pdf)
- (25) Transportation Association of Canada (TAC)
  - a. Geometric Design Guide for Canadian Roads: <https://www.tac-atc.ca/en/publications-and-resources/geometric-design-guide-canadian-roads>
  - b. Manual of Uniform Traffic Control Devices for Canada: <https://www.tac-atc.ca/en/projects/progress/manual-uniform-traffic-control-devices-canada-sixth-edition>
  - c. Canadian Roundabout Design Guide: <https://www.tac-atc.ca/en/tac-releases-canadian-roundabout-design-guide>
- (26) Urban Forestry Master Plan, Halifax Regional Municipality, Link: <https://www.halifax.ca/transportation/streets-sidewalks/urban-forestry>
- (27) Urban Transit Service Boundary, Halifax Regional Municipality, Link: <https://www.halifax.ca/sites/default/files/documents/about-the-city/regional-community-planning/Map7UrbanTransitServiceBoundaryRP5.pdf>

## APPENDIX D – COMPLETE STREETS CHECKLIST

Stemming from the *Integrated Mobility Plan*, this checklist was created to support the planning and design process and should be considered before any major street recapitalization. It is intended to apply to projects with significant impacts to streets, such as full street rehabilitation, or significant excavation for water, wastewater or storm mains. It is not intended to apply to smaller projects, such as individual lateral cuts or projects which leave existing curbs intact such as pavement overlay or micro-surfacing.

A fillable PDF version of this checklist can be found at

<https://www.halifax.ca/transportation/streets-sidewalks/municipal-design-guidelines-red-book>

### Project Location

Street Name: \_\_\_\_\_ From: \_\_\_\_\_ To: \_\_\_\_\_

Cross streets affected by construction: \_\_\_\_\_

Length of street affected by construction: \_\_\_\_\_

### STEP 1: Identify Context

*What is the street's role as a **place**? Refer to existing and proposed:*

- Land use/ type of district (residential, commercial, institutional, historic, cultural, mixed use, industrial)
- Is the street pedestrian-oriented? (buildings set back from street +/-6m or less; no off-street parking within building setback); or
- Is it vehicle-oriented? (larger setbacks, off-street parking between street and building)

*Example:*

*Hollis Street is a mixed use, pedestrian-oriented, one-way urban minor collector passing through two heritage districts; and is identified as a full-time truck route, part of the AAA bike network; with two bus routes and stops every 300m or so.*

*What is the street's role as a **link**? Consider all transportation modes, both existing and proposed:*

- Presence of bus stops, bus routes, pedestrian, and bicycling facilities
- Ways the pedestrian, bicycling, transit, and vehicle facilities connect to existing networks
- Trip generators and mode share in the area for walking, bicycling, transit, and vehicles
- Types of vehicles travelling on this street
- Street classification

The following resources will help identify the context:

- Land Use/ Pedestrian Orientation
  - Area Municipal Planning Strategy (MPS);
  - Site visit (extent and gaps in sidewalk network, crossing opportunities, pedestrian wear paths, building setbacks);
  - Streetscaping maps (draft Red Book)
- Bicycle - IMP All Ages & Abilities Bicycle Network (IMP p92) and Candidate Bike Routes (Making Connections AT Plan)
- Transit – Transit Corridors Map (IMP p103); Rapid Transit Strategy (p20-23; p26); Halifax Transit Routes and Stops
- Vehicles – recent counts, collision history, lists of priority streets for traffic calming; road safety, etc.
- Trucks - Truck Routes Map (Open Data)
- Primary Emergency Response Map; evacuation route map

## **STEP 2: Set Objectives**

Based on the intended street function determined in Step 1, project objectives should be set and prioritized (e.g. transit priority, traffic calming). The target Multi Modal Level of Service (MMLOS) should be set based on the desired outcomes.

## **STEP 3: Data Collection**

Additional data collection will further inform the project and assist with evaluating its success once complete. Data collection may include:

- Multi Modal Level of Service (MMLOS)
- Curbside usage study (type of curbside use e.g. parking, accessible parking, loading, occupancy, turn-over)
- Street tree inventory and condition assessment
- Traffic counts:
  - Pedestrians
  - Bicyclists
  - Transit ridership and boardings / alighting at impacted stops
  - Buses
  - Trucks
  - Vehicles (include speed & volume)
- Photograph site (to document 'before' condition)

## **STEP 4: Design**

### ***Assemble***

Based on the context and intended role of the street, determine required street design elements, from the HRM Municipal Design Guidelines and other design guides as needed (e.g. NACTO, TAC, etc.) to achieve intended MMLOS and other project objectives.

Confirm basic horizontal and vertical design elements, intersection configurations, and active transportation facility types. Identify vertical and grading constraints, utility impacts and impacts to existing buildings and green infrastructure (limit impacts to heritage properties and mature trees where possible).

Depending on project scope, consult with municipal staff, utilities, stakeholders, councillor, and public as needed to identify concerns and coordinate projects.

Consider operational and maintenance requirements, as well as any necessary changes or new equipment needed to maintain to adequate service levels.

### ***Refine***

Consider adding pedestrian friendly design features in all projects in existing or proposed residential and pedestrian-oriented areas:

- Normalize irregular intersections (so streets meet at right angles to extent possible)
- Reduce corner radius (if existing has been set using an oversized design vehicle)
- Curb extensions at marked crosswalks (except on bicycle routes, generally when on-street parking present)
- Tactile Walking Surface Indicators (TWSI) at all marked and unmarked crossings
- Bus landing pads (and connecting them to nearby sidewalk or walkway)
- Traffic calming in school zones

Where required, propose design trade-offs based on constraints, modal priorities and feedback from consultation:

- Consider design elements with smaller footprints (variance approval may be required)
- Remove elements intended for lower priorities
- Change use of existing space (e.g. shift parking to nearby street)
- Acquire land, if needed
- Document decisions (include reasoning and mitigation proposed for any trade-offs)

### ***Evaluate***

Evaluate the design based on the desired MMLOS and project objectives.

### ***Repeat***

Designing a street is an iterative process. Complex street redesign projects will go through at least three major design phases: functional, preliminary, and detailed.



### ***Final Check***

Confirm and finalize the design with staff, stakeholders and public / Council (as appropriate).

### **STEP 5: Evaluation**

Measuring quantitative and qualitative attributes of the constructed design will evaluate the project's success and provide valuable information for future projects.

- Repeat some or all pre-construction data collection undertaken, including photos
- Compare pre and post data to determine if project objectives were achieved
- Engage public for feedback (i.e. intercept survey; online survey)
- Document results and lessons learned

# Municipal Design Guidelines

2021

Part B: Standard Details



HALIFAX

## Part B: Standard Details

### Contents

HRM 1	Pavement Structure
HRM 2	Regional Centre Residential / Suburban Residential (Local)
HRM 3	Regional Centre Residential (Minor Collector)
HRM 4	Regional Centre Residential (Major Collector)
HRM 5	Regional Centre Commercial / Mixed Use (Local)
HRM 6	Regional Centre Commercial / Mixed Use (Minor Collector)
HRM 7	Regional Centre Commercial / Mixed Use (Major Collector)
HRM 8	Regional Centre Commercial / Mixed Use (Arterial)
HRM 9	Suburban (Minor Collector)
HRM 10	Suburban (Major Collector)
HRM 11	Suburban (Arterial)
HRM 12	Rural (Local)
HRM 13	Rural (Minor Collector)
HRM 14	Rural (Major Collector)
HRM 15	Urban Local Cul-de-Sac
HRM 16	Urban Industrial Cul-de-Sac
HRM 17	Rural (Arterial)
HRM 18	Industrial (Local)
HRM 19	Industrial (Minor Collector)
HRM 20	Industrial (Major Collector)
HRM 21	Industrial (Arterial)
HRM 22	<i>Retired Detail – 30.0 m Rural Major Collector with Turning Lane</i>
HRM 23	<i>Retired Detail – 25.0 m Rural Arterial</i>
HRM 24	<i>Retired Detail – 40.0 m Rural Arterial</i>
HRM 25	<i>Retired Detail – 40.0 m Rural Arterial with Turning Lane</i>

HRM 26	<i>Retired Detail – 23.0 m Rural Industrial</i>
HRM 27	Rural Local Cul-de-Sac
HRM 28	Rural Industrial Cul-de-Sac
HRM 29	Glass Grid Installation
HRM 30	Asphalt Swale
HRM 31	Speed Hump
HRM 32	Driveway Deflection Angles & Grades
HRM 33	Community Mailbox – Urban Road Without Sidewalk
HRM 34	Community Mailbox – Urban Road with Sidewalk
HRM 35	Community Mailbox – Rural Road Layby
HRM 36	Guide Rail Installation
HRM 37	Railing
HRM 38	Urban Traffic Sign Post
HRM 39	Rural Traffic Sign Post
HRM 40	Typical Walkway
HRM 41	Active Transportation Off Road Trail
HRM 42	Chain Link Fence
HRM 43	Page Wire Fence
HRM 44	Urban Sidewalk
HRM 45	Rural Type 1 Sidewalk
HRM 46	Rural Type II Sidewalk
HRM 47	Rural Type III Sidewalk
HRM 48	Concrete Sidewalk Reinforcing
HRM 49	Pedestrian Ramp Alignment
HRM 50	Driveway Ramp
HRM 51	Driveway Access in Existing Full-Depth Curb
HRM 52	Concrete Traffic Island
HRM 53	Concrete Curb & Gutter

HRM 54	Curb Renewal/Payment
HRM 55	Asphalt Curb
HRM 56	Concrete Bus Stop Landing Pad
HRM 57	Concrete Bus Bay Pad - End Block
HRM 58	Concrete Bus Bay Pad - Mid Block
HRM 59	Shallow Trench Reinstatement
HRM 60	Deep Trench Reinstatement
HRM 61	Trench Backfill and Reinstatement – Testing
HRM 62	<i>Retired Detail – Pre-Fabricated Tree Collar</i>
HRM 63	<i>Retired Detail – Floating Sidewalk</i>
HRM 64	<i>Retired Detail – Paver Pattern</i>
HRM 65	<i>Retired Detail – Tree Vault</i>
HRM 66	Tree Planting in Parks / Open Space
HRM 67	Shrub Planting
HRM 68	Traffic Signal Base for Configuration A
HRM 68N1	Standard Notes Shaft Foundations
HRM 68N2	Standard Notes Spread Footings
HRM 68N3	Pole Base Selection Guide
HRM 69	Traffic Signal Base or Configuration B, C, D, and E
HRM 70	Traffic Signal Base for Configuration F, G and H
HRM 71	Traffic Signal Base for Configuration I, J, K and L
HRM 71A	Traffic Signal Base for Configuration M
HRM 72	Traffic Signal Base for Configuration N, O and P
HRM 72A	Traffic Signal Base for Configuration Q, R and S
HRM 73	Traffic Signal Base for Configuration T, U and V
HRM 73A	Traffic Signal Base for Configuration W, X and Y
HRM 74	Traffic Signal Base for Configuration Z, AA and AB
HRM 74A	Traffic Signal Base for Configuration AC, AD and AE

HRM 74B.1	Foundation Revisions for Doweling into Rock
HRM 74B.2	Foundation Revisions for Dowling into Rock
HRM 74X	Traffic Signal Base for Configuration AF
HRM 75	Pedestrian & Cyclist Push Button Pole & Base
HRM 76	Base Mounted Traffic Signal Controller Cabinet
HRM 77	<i>Retired Detail – Base Mounted Traffic Signal Controller Cabinet with Battery Backup Unit</i>
HRM 78	Underground Conduit
HRM 79	Pull Pit
HRM 80	Junction Box Type “A”
HRM 81	Junction Box Type “B” & “C”
HRM 82	Detector Loop Saw Cut
HRM 83	Pre-Formed Detector Loop
HRM 84	Pole Mount Details for Detector Loop Installation
HRM 85	Pole Mount Home Run
HRM 86	Wooden Pole Power Feed (for Traffic Signals)
HRM 87	Aluminium Pole RA-5 Signal Configuration
HRM 88	Wooden Pole RA-5 Traffic Signal with Power Feed Configuration
HRM 89	Standard Intersection Pavement Marking Layout
HRM 90	Longitudinal and Transverse Pavement Markings
HRM 91	Pavement Arrows
HRM 92	Bicycle Symbol and Shared Use Lane Symbol
HRM 93	Pedestrian & Trail Crossing Pavement Markings
HRM 94	Standard Roundabout Pavement Marking Layout
HRM 95	Roundabout Pavement Arrows
HRM 96	Special Pavement Markings
HRM 97	Typical Cobrahead-LED on a Davit Arm
HRM 98	Davit Arm – 600 mm

HRM 99	Davit Arm – 1800 mm
HRM 100	Elliptical Davit Arm – 1800 mm
HRM 101	Elliptical Davit Arm – 3000 mm
HRM 102	Elliptical Davit Arm – 3600 mm
HRM 103	Aluminium Lighting Standard – 7.7 m
HRM 104	Aluminium Lighting Standard – 9.7 m
HRM 105	Aluminium Lighting Standard – 12.2 m
HRM 106	Aluminium Double Davit Lighting Standard – 9.7 m
HRM 107	Aluminium Double Davit Lighting Standard – 12.2 m
HRM 108	Relay Installation
HRM 109	Street Light Power Enclosure
HRM 110	Street Light Power Enclosure Diagram
HRM 111	Street Light Power Enclosure Layout
HRM 112	Street Lighting Underground Electrical Service
HRM 113	Street Lighting Underground Electrical Service
HRM 114	Street Lighting Underground Electrical Service
HRM 115	347 Volt 3 Phase Underground Service Over 154 Amps
HRM 116	Ornamental Street Light Base
HRM 117	Standard Aluminium Street Light Base Type 2
HRM 118	Wooden Fence
HRM 119	Pedestrian Gate
HRM 120	Bollard
HRM 121	Bollard - Removable
HRM 122	Survey Monument
HRM 123	<i>Retired Detail – Survey Monument Cover and Frame</i>
HRM 124	Survey Monument Type I
HRM 125	Survey Monument Type II
HRM 126	<i>Retired Detail – Parking Meter Standard Unit and Base</i>

HRM 126A	Parking Pay Station Base (Typical)
HRM 126B	Parking Pay Station Base on Existing Green Boulevard
HRM 126C	Parking Pay Station Base on Existing Sidewalk
HRM 127	Core Boundary
HRM 128	<i>Retired Detail – Capital District</i>
HRM 129	<i>Missing Intentionally</i>
HRM 130	<i>Missing Intentionally</i>
HRM 131	Tactile Walking Surface Indicator Ramp Placement
HRM 132	Walkway with Pedestrian Ramp
HRM 133	Concrete Sidewalk Adjacent Curb
HRM 134	Red In-Lay Reserved Lane
HRM 135	Fence Detail (Round Wooden Rails & Steel Posts)
HRM 136	Speed Hump Survey Verification
HRM 137	Concrete Bus Stop Landing Pad (Without Sidewalk)
HRM 138	Concrete Bus Stop Landing Pad (With Sidewalk)
HRM 139	Concrete Bus Stop Landing Pad (Without Curb)
HRM 140	Tree Protection Zone & Barrier
HRM 141	Decorative Paving Edge
HRM 142	Narrow Decorative Paving Edge
HRM 143	Speed Table Detail
HRM 144	Speed Table Survey Verification
HRM 145	240 Volt Under 20 Amps Service with GCFI
HRM 146	Service Contactor and Schematic
HRM 147	Pole Electrical Details
HRM 148	120 240 Volt Stub Pole Service with GFCI's
HRM 149	Traffic Signal Streetlight Combination Pole
HRM 150	Power Enclosure Concrete Pad Top View
HRM 151	Transformer Base Grounding-Model



HRM 152	Typical Relay Installation
HRM 153	Bus Stop Shelter on Concrete Sidewalk
HRM 154	Stand Alone Concrete Bus Stop Pad
HRM 155	Bus Stop Shelter on Concrete Wall
HRM 156	Bus Stop Shelter on Concrete Sono-Tubes
HRM 157	<i>Missing Intentionally</i>
HRM 158	<i>Missing Intentionally</i>
HRM 159	<i>Missing Intentionally</i>
HRM 160	Utility Pole Service Detail
HRM 161	<i>Missing Intentionally</i>
HRM 162	<i>Missing Intentionally</i>
HRM 163	<i>Missing Intentionally</i>
HRM 164	<i>Missing Intentionally</i>
HRM 165	Inverted U Bike Rack
HRM 166	Multi Inverted U Bike Rack
HRM 167	Post & Ring Bike Rack
HRM 168	<i>Missing Intentionally</i>
HRM 169	Back in Angle Parking 60° and 45°
HRM 170	Street Light Power Enclosure Single Line Diagram
HRM 171	Street Light Power Enclosure Parts List
HRM 172	Rectangular Rapid-Flashing Beacon Signal Configuration (Solar Panel)
HRM 173	<i>Missing Intentionally</i>
HRM 174	<i>Missing Intentionally</i>
HRM 175	Base Mounted Traffic Signal Controller Cabinet
HRM 176	Base Mounted Traffic Signal Controller Cabinet with Battery Back-up Unit
HRM 177	Street Lighting Power Enclosure Base
HRM 178	<i>Missing Intentionally</i>
HRM 179	<i>Missing Intentionally</i>

HRM 180	Rectangular Rapid-Flashing Beacon Signal Configuration (Solar Engine)
HRM 181	Soil Texture Triangle
HRM 182	Tree Planting in Sod Boulevard
HRM 183	RA-5 Crossing
HRM 184	RA-5 Crossing (With Centre Median)
HRM 185	<i>Missing Intentionally</i>
HRM 186	Tree in Hardscape with Soil Cells and Tree Grate
HRM 187	Tree Grate Details
HRM 188	Tree in Sod Boulevard with Soil Cells
HRM 189	Bicycle Pavement Markings
HRM 190	Bicycle Lane Conflict Markings

STREET CLASSIFICATION		ASPHALT		ROADBED GRAVELS			
	SUBGRADE TYPE	TOP LIFT	BASE LIFT	GRAVEL TYPE 1	GRAVEL TYPE 2	GRANULAR TILL	ROCK FILL
LOCAL	SILT/CLAY OPTION 1	40 C-HF	50 B-HF	150	500	*2	0
	SILT/CLAY OPTION 2	40 C-HF	50 B-HF	150	250		400
	GRANULAR TILL	40 C-HF	50 B-HF	150	300		0
	ROCK FILL	40 C-HF	50 B-HF	150	150		0
LOCAL INDUSTRIAL	SILT/CLAY OPTION 1	50 C-HF	50 B-HF	150	600	*2	0
	SILT/CLAY OPTION 2	50 C-HF	50 C-HF	150	400		500
	GRANULAR TILL	50 C-HF	50 C-HF	150	500		0
	ROCK FILL	50 C-HF	50 C-HF	150	300		0
MINOR COLLECTOR	SILT/CLAY OPTION 1	50 C-HF	75 B-HF	150	600	*2	0
	SILT/CLAY OPTION 2	50 C-HF	75 B-HF	150	350		400
	GRANULAR TILL	50 C-HF	75 B-HF	150	400		0
	ROCK FILL	50 C-HF	75 B-HF	150	300		0
MAJOR COLLECTOR	SILT/CLAY OPTION 1	50 C-HF	75 B-HF	150	600	*2	0
	SILT/CLAY OPTION 2	50 C-HF	75 B-HF	150	350		400
	GRANULAR TILL	50 C-HF	75 B-HF	150	400		0
	ROCK FILL	50 C-HF	75 B-HF	150	300		0
ARTERIAL	SILT/CLAY OPTION 1	50 C-HF	100 B-HF	200	725	*2	0
	SILT/CLAY OPTION 2	50 C-HF	100 B-HF	200	450		500
	GRANULAR TILL	50 C-HF	100 B-HF	200	550		0
	ROCK FILL	50 C-HF	100 B-HF	200	350		0

**NOTES:**

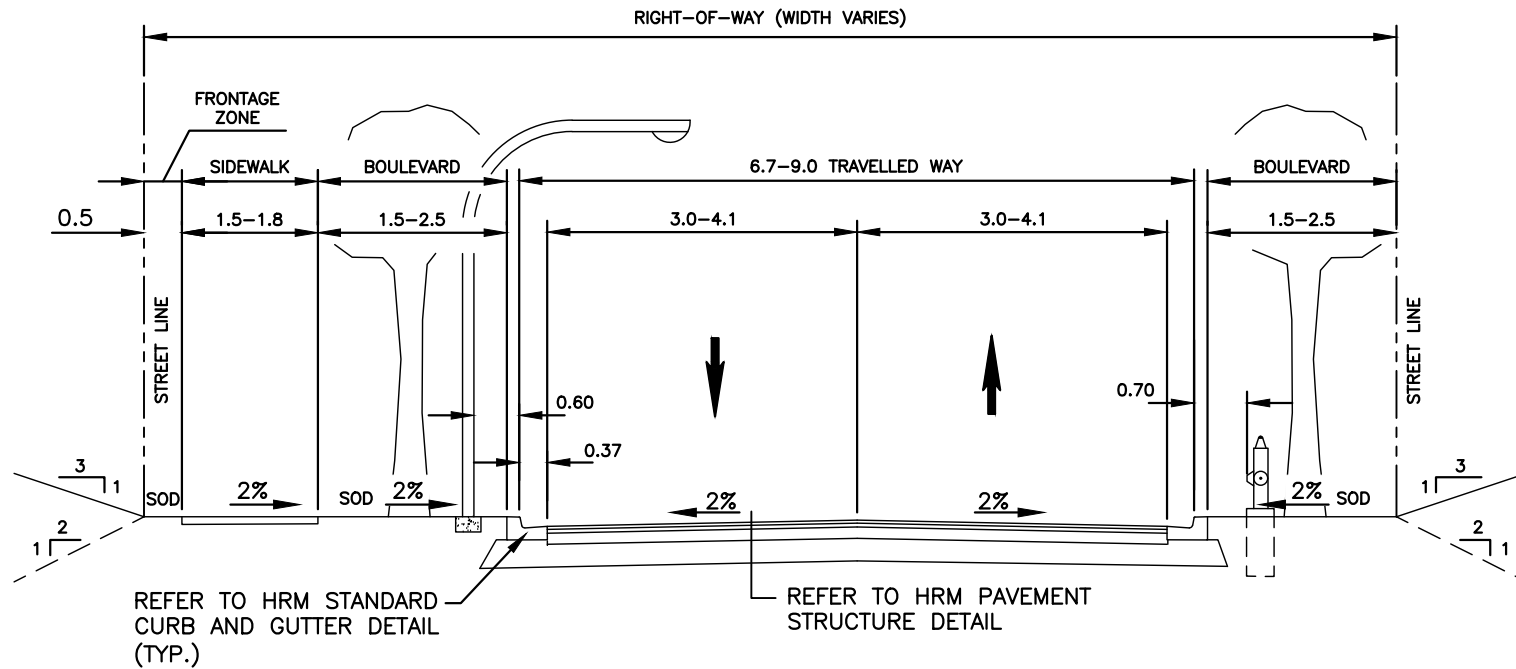
1. ADDITIONAL ROADBED AND SLOPE STABILIZATION AS REQUIRED BY GEOTECHNICAL REPORT.
2. MINIMUM TYPE 2 GRAVEL THICKNESS, A GEOTECHNICAL REPORT IS REQUIRED TO DETERMINE THE SUBGRADE TYPE FOR THE PAVEMENT STRUCTURE.
3. ASPHALT DESIGN, SPECIFYING TYPE AND THICKNESS OF ASPHALTIC CONCRETE REQUIRED, MAY BE CONSIDERED.
4. MAY BE 40 mm TYPE D-HF OR 40 mm TYPE SPECIAL C-HF.

# HALIFAX

STANDARD DETAIL

PAVEMENT STRUCTURE

DATE:	2021	REFERENCE	APPROVED
SCALE:	NTS		FIG No.:



## CROSS SECTION

### NOTES:

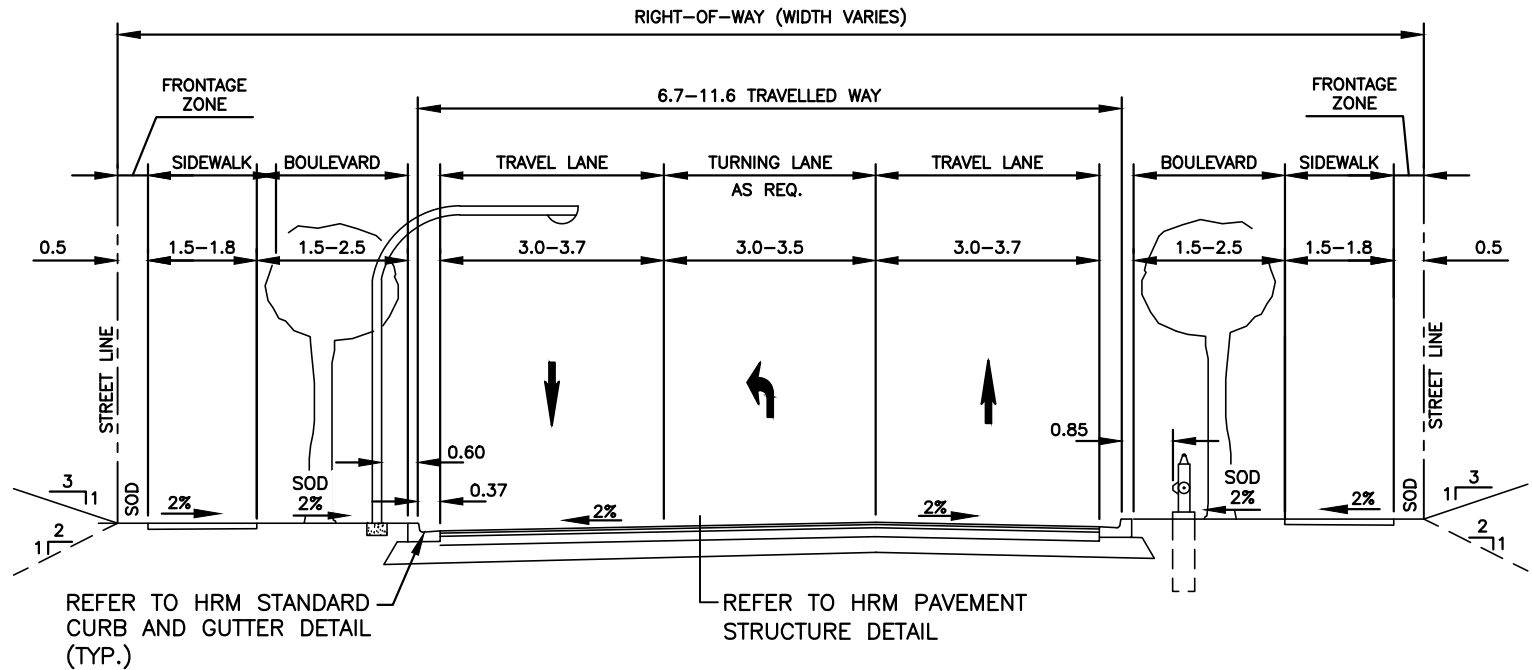
1. SEE SECTION 2.4.2 FOR FURTHER GUIDANCE.
2. LANE WIDTHS DO NOT INCLUDE STANDARD GUTTER WIDTH.
3. BOULEVARD WIDTH OF 1.2 m – 1.5 m MAY BE CONSIDERED IN RETROFIT SITUATIONS, SOIL CELLS MAY BE REQUIRED TO ACHIEVE REQUIRED SOIL VOLUME FOR TREES.
4. BIKE INFRASTRUCTURE MAY BE REQUIRED AS PER MAPS IN PART A – APPENDIX B.
5. WIDER LANES MAY BE CONSIDERED BASED ON CURBSIDE MANAGEMENT AND/OR OPERATION USE OF THE STREET.
6. SIDEWALKS MAY BE REQUIRED ON BOTH SIDES BASED ON DESTINATIONS AND PEDESTRIAN VOLUMES.
7. TRANSIT LANES 3.3 m MINIMUM.

# HALIFAX

STANDARD DETAIL

**REGIONAL CENTRE RESIDENTIAL/  
SUBURBAN RESIDENTIAL (LOCAL)**

DATE:	2021	REFERENCE	APPROVED
SCALE:	NTS		FIG No.: <b>HRM 2</b>



## CROSS SECTION

### NOTES:

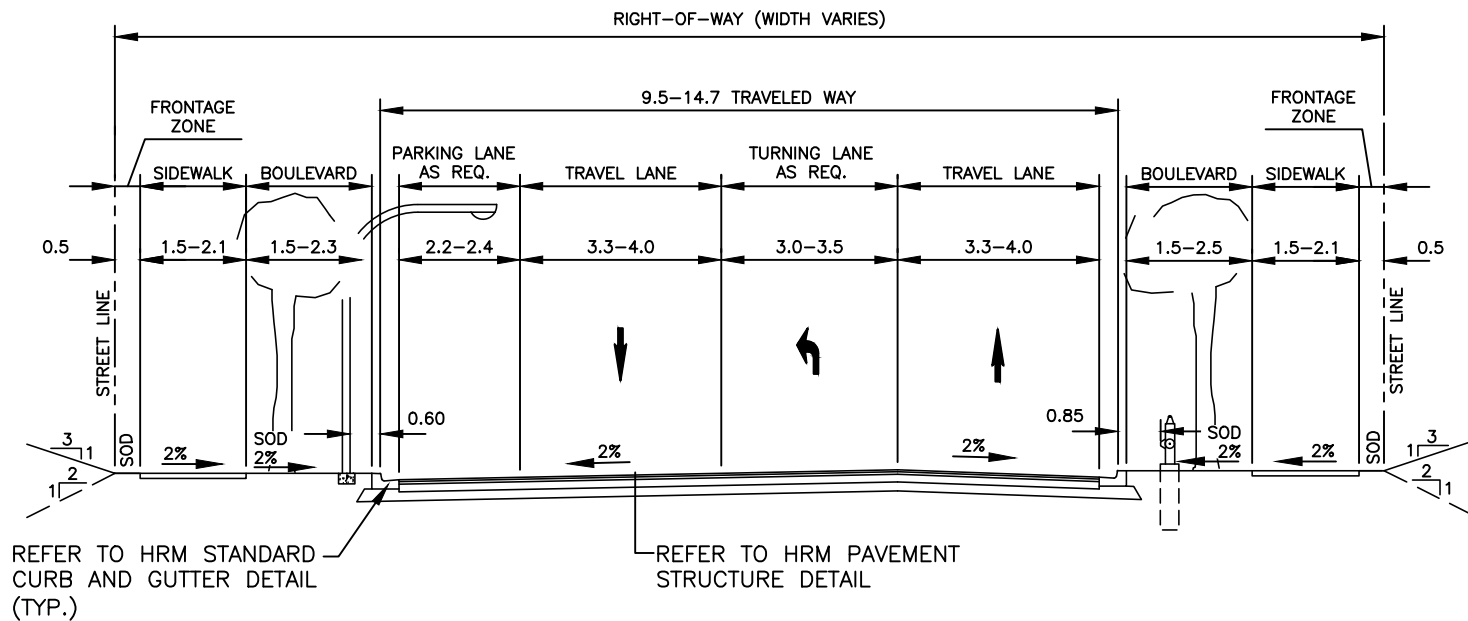
1. SEE SECTION 2.4.2 FOR FURTHER GUIDANCE.
2. LANE WIDTHS DO NOT INCLUDE STANDARD GUTTER WIDTH.
3. BOULEVARD WIDTH OF 1.2 m – 1.5 m MAY BE CONSIDERED IN RETROFIT SITUATIONS, SOIL CELLS MAY BE REQUIRED TO ACHIEVE REQUIRED SOIL VOLUME FOR TREES.
4. WHERE TURNING LANES ARE REQUIRED, FORM BY REMOVING CURBSIDE USE.
5. TRANSIT LANES 3.3 m MIN.
6. BIKE INFRASTRUCTURE MAY BE REQUIRED AS PER MAPS IN PART A – APPENDIX B.
7. PARKING MAY BE ALLOWED ON ONE OR BOTH SIDES.

# HALIFAX

STANDARD DETAIL

REGIONAL CENTRE RESIDENTIAL  
(MINOR COLLECTOR)

DATE:	2021	REFERENCE	APPROVED
SCALE:	NTS	FIG No.:	HRM 3



## CROSS SECTION

### NOTES:

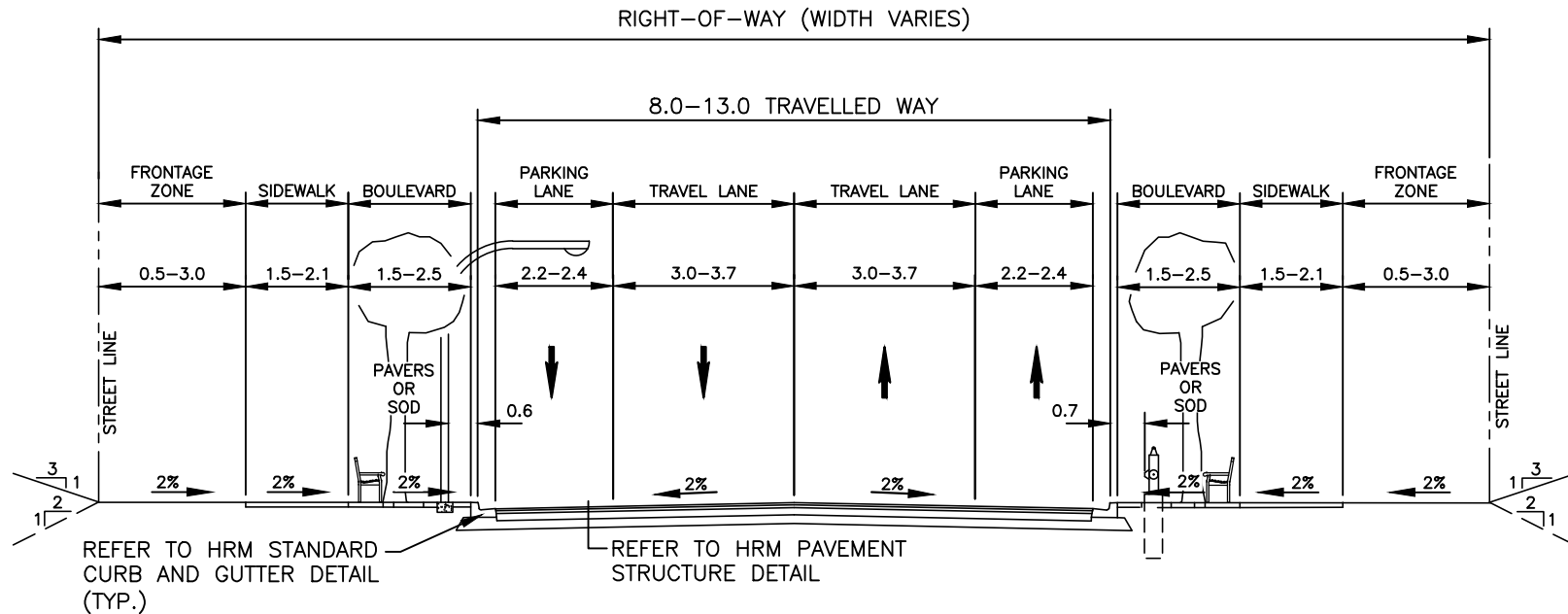
1. SEE SECTION 2.4.2 FOR FURTHER GUIDANCE.
2. LANE WIDTHS DO NOT INCLUDE STANDARD GUTTER WIDTH.
3. BOULEVARD WIDTH OF 1.2 m – 1.5 m MAY BE CONSIDERED IN RETROFIT SITUATIONS, SOIL CELLS MAY BE REQUIRED TO ACHIEVE REQUIRED SOIL VOLUME FOR TREES.
4. TURNING LANES MAY BE FORMED BY REMOVING CURBSIDE USE IN THAT AREA.
5. BIKE INFRASTRUCTURE MAY BE REQUIRED AS PER MAPS IN PART A – APPENDIX B.
6. PARKING LANE WIDTH SHOWN DOES NOT INCLUDE GUTTER WIDTH; IN CASES OF NO GUTTER, ADD 0.25 m TO PARKING LANE WIDTH.

# HALIFAX

STANDARD DETAIL

**REGIONAL CENTRE RESIDENTIAL  
(MAJOR COLLECTOR)**

DATE:	2021	REFERENCE	APPROVED
SCALE:	NTS	FIG No.:	HRM 4



## CROSS SECTION

### NOTES:

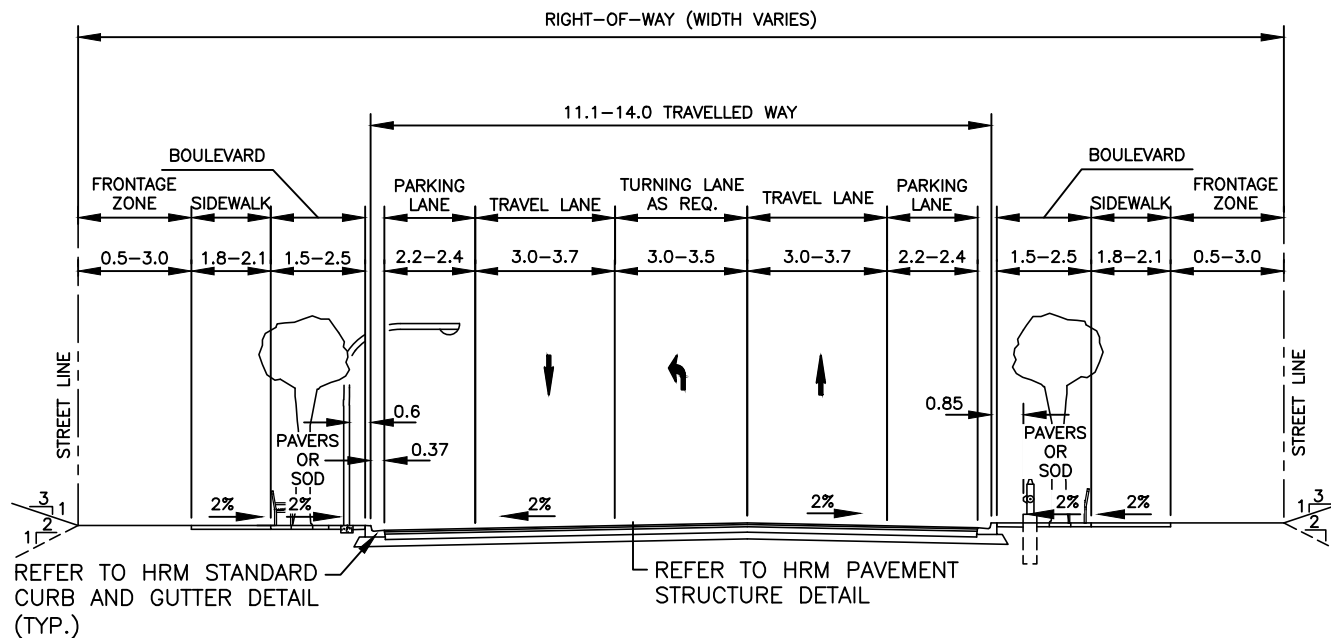
1. SEE SECTION 2.4.2 FOR FURTHER GUIDANCE.
2. LANE WIDTHS DO NOT INCLUDE STANDARD GUTTER WIDTH.
3. PARKING LANE WIDTH SHOWN DOES NOT INCLUDE GUTTER; IN CASES OF NO GUTTER, ADD 0.25 m TO PARKING LANE WIDTH.
4. TRANSIT LANES 3.3 m MIN.
5. BIKE INFRASTRUCTURE MAY BE REQUIRED AS PER MAPS IN PART A – APPENDIX B.
6. BOULEVARD WIDTHS OF 1.2 – 1.5 m MAY BE CONSIDERED IN RETROFIT SITUATIONS. SOIL CELLS MAY BE REQUIRED TO ACHIEVE REQUIRED SOIL VOLUMES FOR TREES.

# HALIFAX

STANDARD DETAIL

REGIONAL CENTRE  
COMMERCIAL/MIXED USE (LOCAL)

DATE:	2021	REFERENCE	APPROVED
SCALE:	NTS	FIG No.:	HRM 5



## CROSS SECTION

### NOTES:

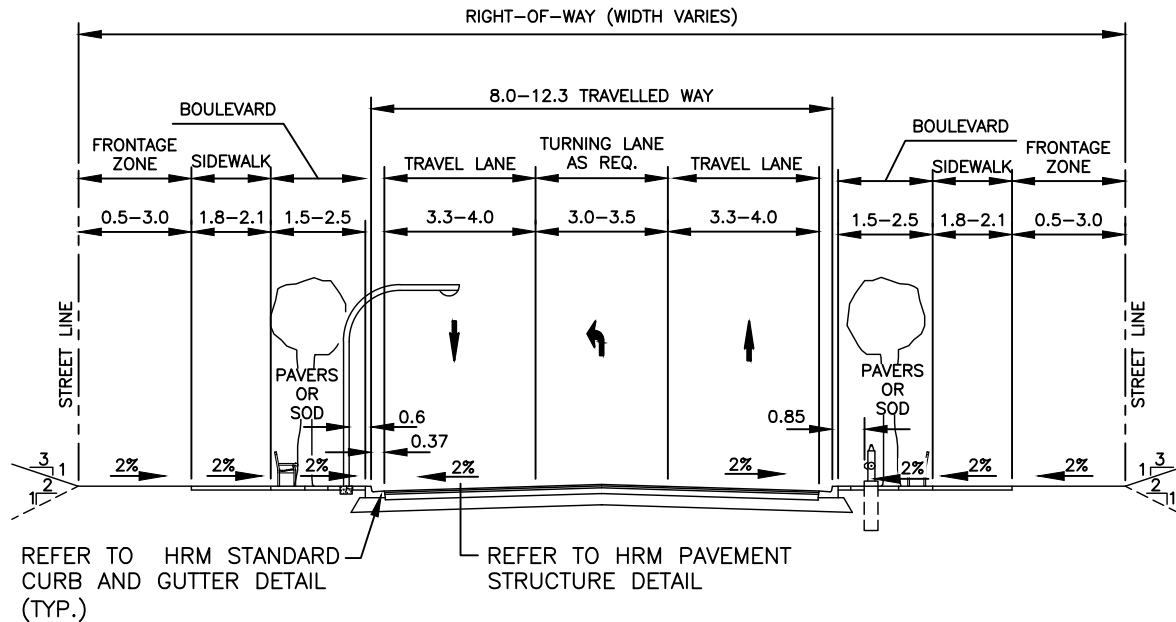
1. SEE SECTION 2.4.2 FOR FURTHER GUIDANCE.
2. LANE WIDTHS DO NOT INCLUDE STANDARD GUTTER WIDTH.
3. TRANSIT LANES 3.3 m MIN.
4. TURNING LANES MAY BE FORMED BY REMOVING CURBSIDE USE IN THAT AREA.
5. BIKE INFRASTRUCTURE MAY BE REQUIRED AS PER MAPS IN PART A – APPENDIX B.
6. PARKING LANE WIDTH SHOWN DOES NOT INCLUDE GUTTER WIDTH; IN CASES OF NO GUTTER, ADD 0.25 m TO PARKING LANE WIDTH.
7. BOULEVARD WIDTHS OF 1.2 – 1.5 m MAY BE CONSIDERED IN RETROFIT SITUATIONS. SOIL CELLS MAY BE REQUIRED TO ACHIEVE REQUIRED SOIL VOLUMES FOR TREES.

# HALIFAX

**STANDARD DETAIL**  
**REGIONAL CENTRE**  
**COMMERCIAL/MIXED USE**  
**(MINOR COLLECTOR)**

DATE:	2021	REFERENCE	APPROVED
SCALE:	NTS		FIG No.: <b>HRM 6</b>





## CROSS SECTION

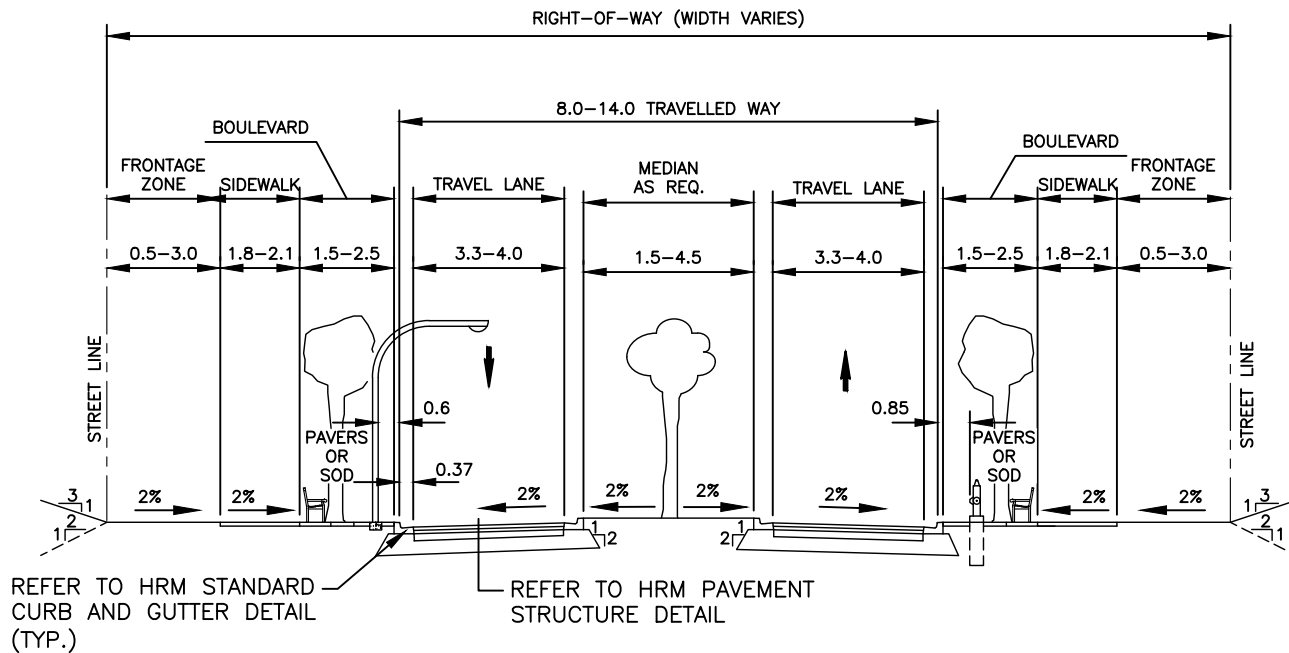
### NOTES:

1. SEE SECTION 2.4.2 FOR FURTHER GUIDANCE.
2. LANE WIDTHS DO NOT INCLUDE STANDARD GUTTER WIDTH.
3. TURNING LANES MAY BE FORMED BY REMOVING CURBSIDE USE IN THAT AREA.
4. BIKE INFRASTRUCTURE MAY BE REQUIRED AS PER MAPS IN PART A – APPENDIX B.
5. BOULEVARD WIDTHS OF 1.2 – 1.5 m MAY BE CONSIDERED IN RETROFIT SITUATIONS. SOIL CELLS MAY BE REQUIRED TO ACHIEVE REQUIRED SOIL VOLUMES FOR TREES.
6. IF ON-STREET PARKING IS REQUIRED THEN ADDITIONAL ROADWAY WIDTH WOULD BE REQUIRED. ADDITIONAL WIDTH FOR PARKING LANES TO BE REVIEWED BY THE ENGINEER.
7. ADDITIONAL TRAVEL LANES MAY BE REQUIRED, AS DETERMINED BY A TRAFFIC IMPACT ASSESSMENT.

# HALIFAX

**STANDARD DETAIL**  
**REGIONAL CENTRE**  
**COMMERCIAL/MIXED USE**  
**(MAJOR COLLECTOR)**

DATE:	2021	REFERENCE	APPROVED
SCALE:	NTS		FIG No.:
			<b>HRM 7</b>



## CROSS SECTION

### NOTES:

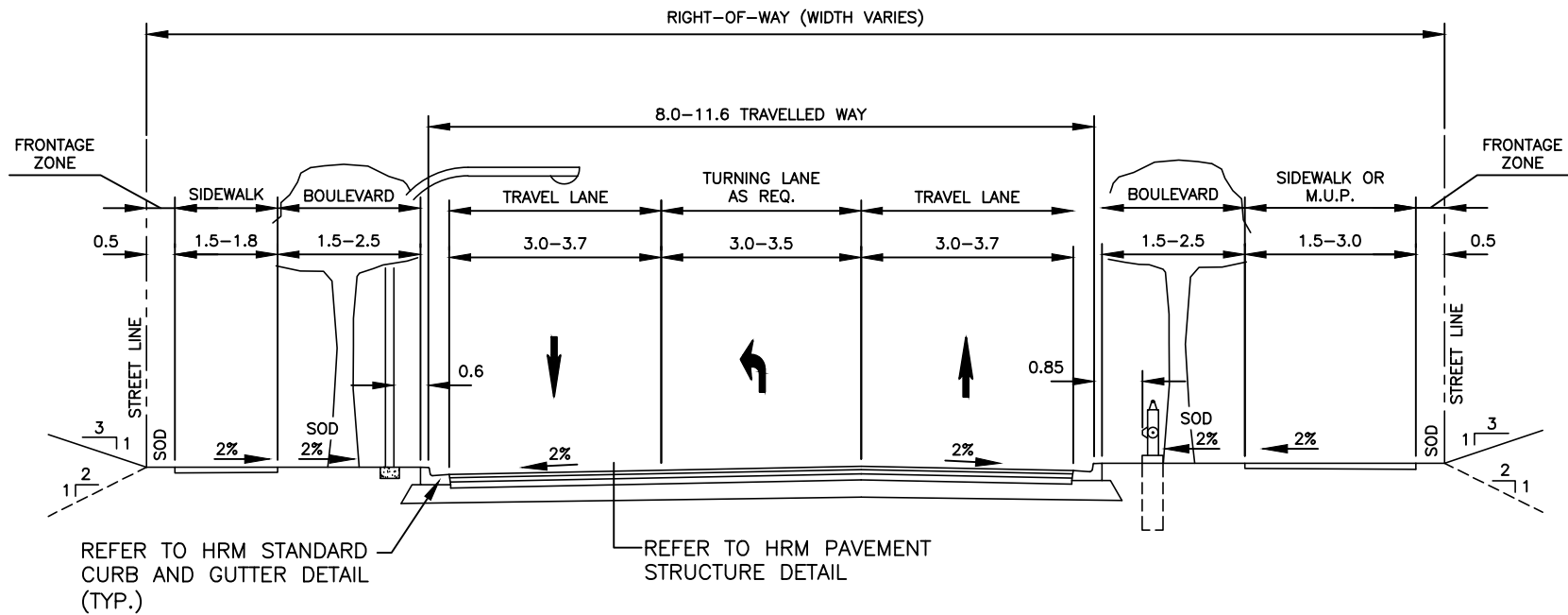
1. SEE SECTION 2.4.2 FOR FURTHER GUIDANCE.
2. LANE WIDTHS DO NOT INCLUDE STANDARD GUTTER WIDTH.
3. TURNING LANES MAY BE FORMED BY REDUCING THE MEDIAN WIDTH, OR MAY BE IN ADDITION TO THE MEDIAN. TURNING LANES MAY BE 3.0 - 3.5 m WIDE.
4. BIKE INFRASTRUCTURE MAY BE REQUIRED AS PER MAPS IN PART A - APPENDIX B.
5. BOULEVARD WIDTHS OF 1.2 - 1.5 m MAY BE CONSIDERED IN RETROFIT SITUATIONS. SOIL CELLS MAY BE REQUIRED TO ACHIEVE REQUIRED SOIL VOLUMES FOR TREES.
6. IF ON-STREET PARKING IS REQUIRED THEN ADDITIONAL ROADWAY WIDTH WOULD BE REQUIRED. ADDITIONAL WIDTH FOR PARKING LANES TO BE REVIEWED BY THE ENGINEER.
7. ADDITIONAL TRAVEL LANES MAY BE REQUIRED, AS DETERMINED BY A TRAFFIC IMPACT ASSESSMENT. WIDTH OF ADDITIONAL TRAVEL LANES MAY RANGE FROM 3.3 - 3.8 m.

# HALIFAX

STANDARD DETAIL

REGIONAL CENTRE  
COMMERCIAL/MIXED USE (ARTERIAL)

DATE:	2021	REFERENCE	APPROVED
SCALE:	NTS	FIG No.:	HRM 8

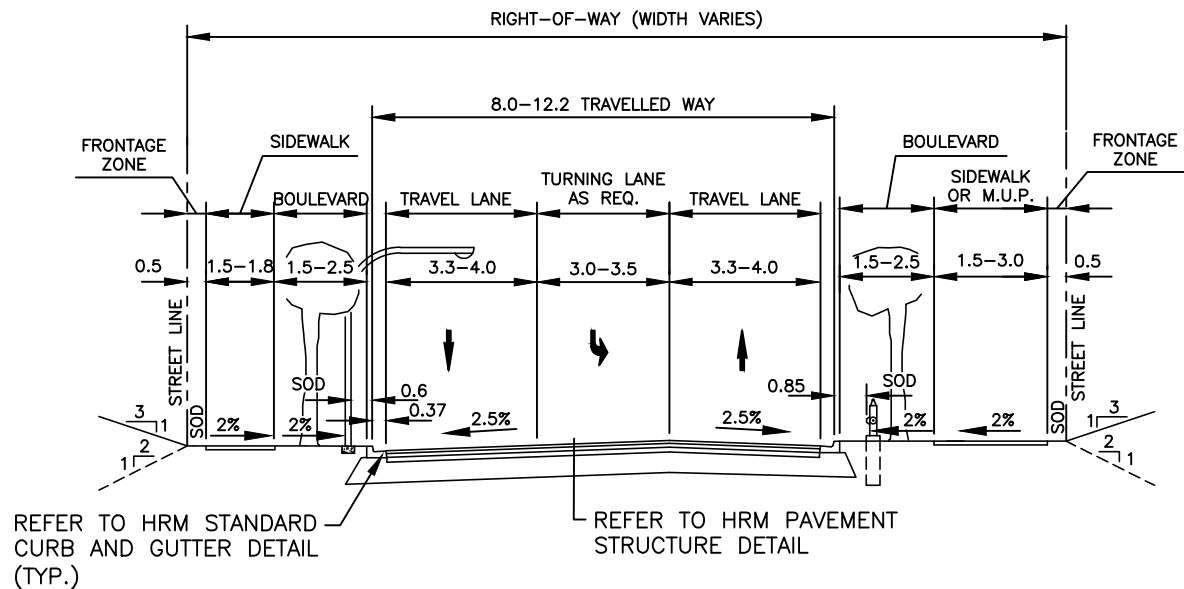


## CROSS SECTION

**NOTES:**

1. SEE SECTION 2.2.2 FOR FURTHER GUIDANCE.
2. LANE WIDTHS DO NOT INCLUDE STANDARD GUTTER WIDTH.
3. TRANSIT LANES 3.3 m MIN.
4. BIKE INFRASTRUCTURE MAY BE REQUIRED AS PER MAPS IN PART A – APPENDIX B.
5. TURNING LANES MAY BE FORMED BY REMOVING CURBSIDE USE IN THAT AREA.
6. USE OF A MULTI-USE PATH IN LIEU OF SIDEWALK MAY BE ACCEPTED. SEE SECTION 2.2.2 FOR MULTI-USE PATH REQUIREMENTS.
7. IF ON-STREET PARKING IS REQUIRED THEN ADDITIONAL ROADWAY WIDTH WOULD BE REQUIRED. ADDITIONAL WIDTH FOR PARKING LANES TO BE REVIEWED BY THE ENGINEER.

HALIFAX		
STANDARD DETAIL		
SUBURBAN (MINOR COLLECTOR)		
DATE:	2021	REFERENCE
SCALE:	NTS	APPROVED
		FIG No.:
		HRM 9

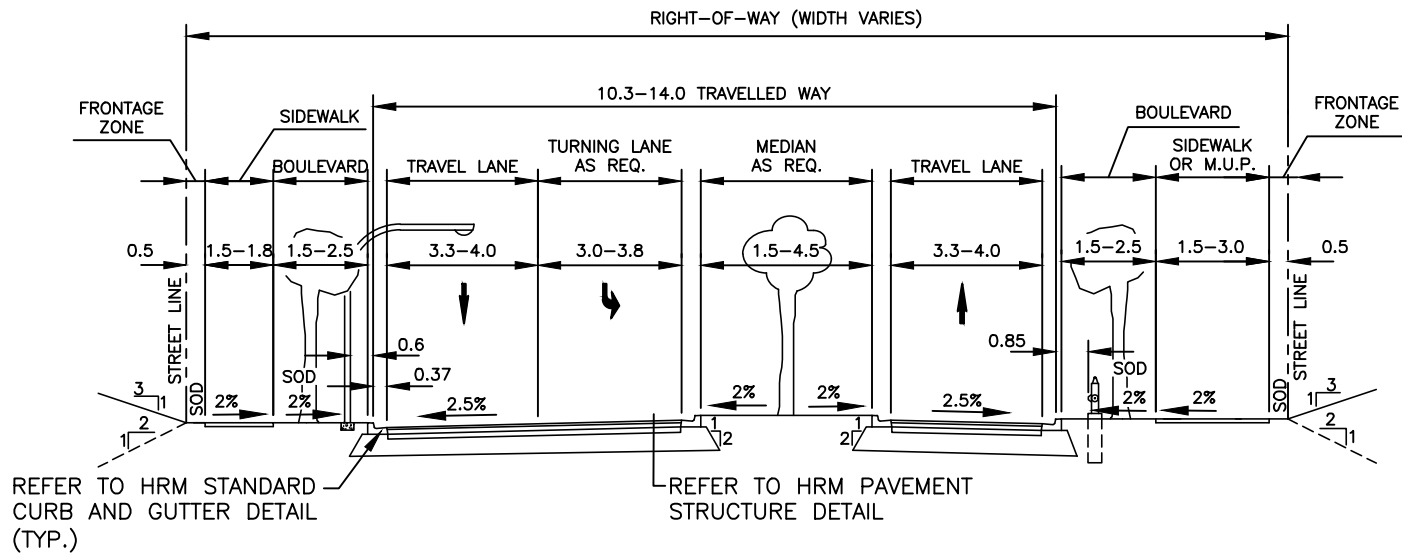


## CROSS SECTION

**NOTES:**

1. SEE SECTION 2.4.2 FOR FURTHER GUIDANCE.
2. LANE WIDTHS DO NOT INCLUDE STANDARD GUTTER WIDTH.
3. BIKE INFRASTRUCTURE MAY BE REQUIRED AS PER MAPS IN PART A – APPENDIX B.
4. USING A MULTI-USE PATH IN LIEU OF ONE SIDEWALK MAY BE ACCEPTED. SEE SECTION 2.2.2 FOR MULTI-USE PATH WIDTH REQUIREMENTS.
5. ADDITIONAL TRAVEL LANES MAY BE REQUIRED, AS DETERMINED BY A TRAFFIC IMPACT ASSESSMENT. WIDTH OF ADDITIONAL TRAVEL LANES MY RANGE FROM 3.3 – 3.8 m.

HALIFAX		
STANDARD DETAIL		
SUBURBAN (MAJOR COLLECTOR)		
DATE:	2021	REFERENCE
SCALE:	NTS	APPROVED
		FIG No.:
		HRM 10



## CROSS SECTION

### NOTES:

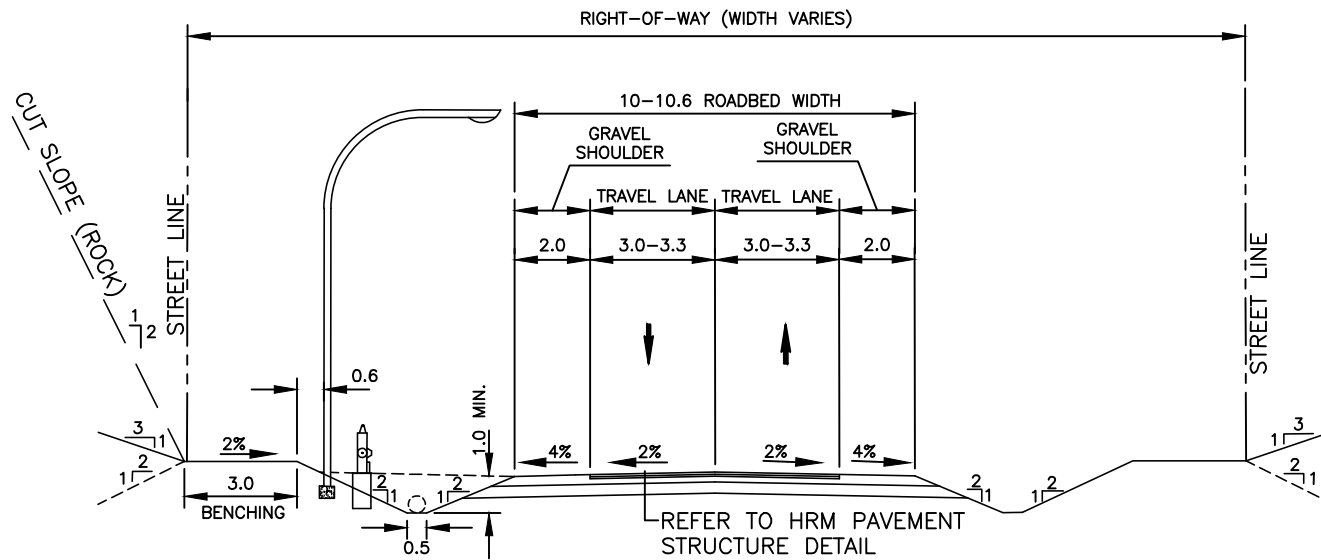
1. SEE SECTION 2.4.2 FOR FURTHER GUIDANCE.
2. LANE WIDTHS DO NOT INCLUDE STANDARD GUTTER WIDTH.
3. TURNING LANES MAY BE FORMED BY REDUCING THE MEDIAN WIDTH.
4. BIKE INFRASTRUCTURE MAY BE REQUIRED AS PER MAPS IN PART A – APPENDIX B.
5. USING A MULTI-USE PATH IN LIEU OF ONE SIDEWALK MAY BE ACCEPTED. SEE SECTION 2.2.2 FOR REQUIRED MULTI-USE PATH WIDTH.
6. ADDITIONAL TRAVEL LANES MAY BE REQUIRED, AS DETERMINED BY A TRAFFIC IMPACT ASSESSMENT. WIDTH OF ADDITIONAL TRAVEL LANES MAY RANGE FROM 3.3 – 3.8 m.

# HALIFAX

STANDARD DETAIL

**SUBURBAN  
(ARTERIAL)**

DATE:	2021	REFERENCE	APPROVED
SCALE:	NTS		FIG No.: <b>HRM 11</b>



## CROSS SECTION

### NOTES:

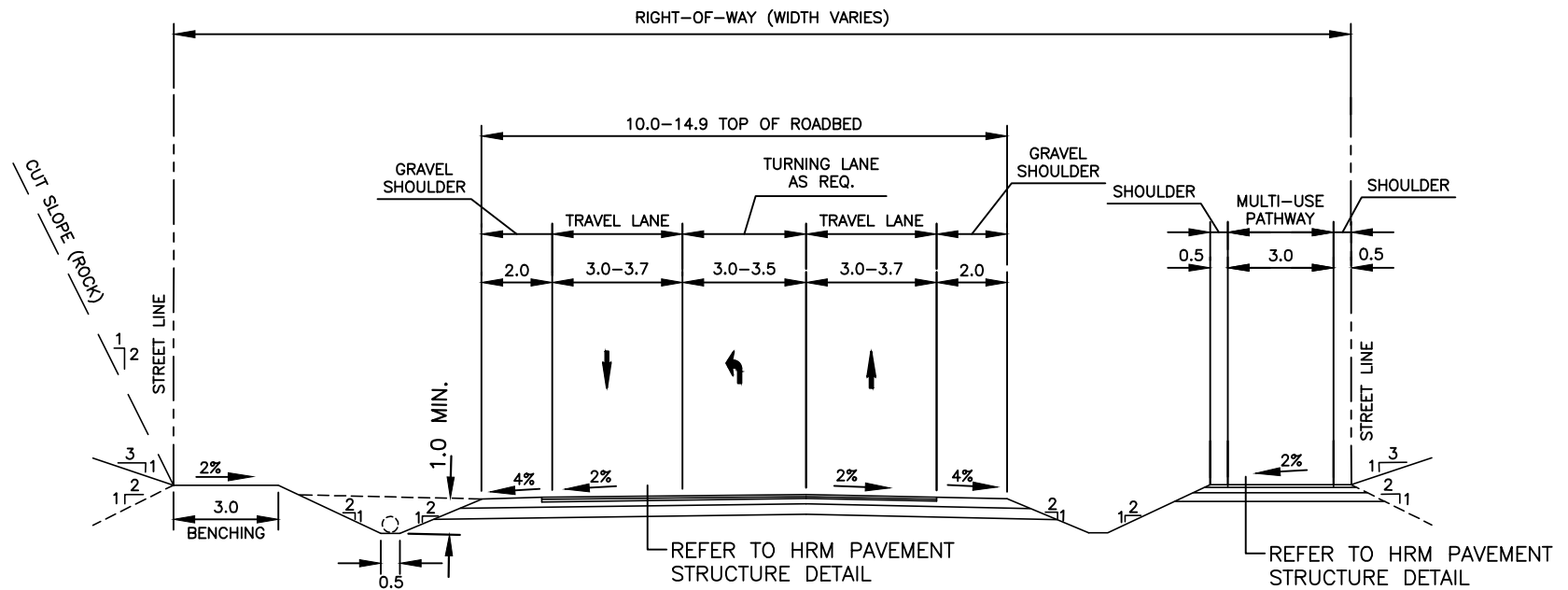
1. SEE SECTION 2.4.2 FOR FURTHER GUIDANCE.
2. BIKE INFRASTRUCTURE MAY BE REQUIRED AS PER MAPS IN PART A – APPENDIX B.
3. R.O.W. SHALL EXTEND TO BACK SLOPE OF DAYLIGHT DITCH.
4. FOR RURAL ROADS HAVING A GRADE EXCEEDING 7%, ASPHALT SWALES ARE REQUIRED ON EACH SIDE OF THE ROAD (ABUTTING THE ASPHALT TRAVEL WAY) WITH AN ASPHALT SWALE RUNOFF TO THE DITCH EVERY 30 m.
5. FALSE DITCH REQUIREMENTS SHALL MEET HALIFAX WATER SPECIFICATIONS.
6. WHERE DIRECTED BY THE ENGINEER, SIDEWALKS SHALL BE INSTALLED AS PER HRM 45, 46 OR 47.

# HALIFAX

## STANDARD DETAIL

### RURAL (LOCAL)

DATE:	2021	REFERENCE	APPROVED
SCALE:	NTS		FIG No.: HRM 12



## CROSS SECTION

### NOTES:

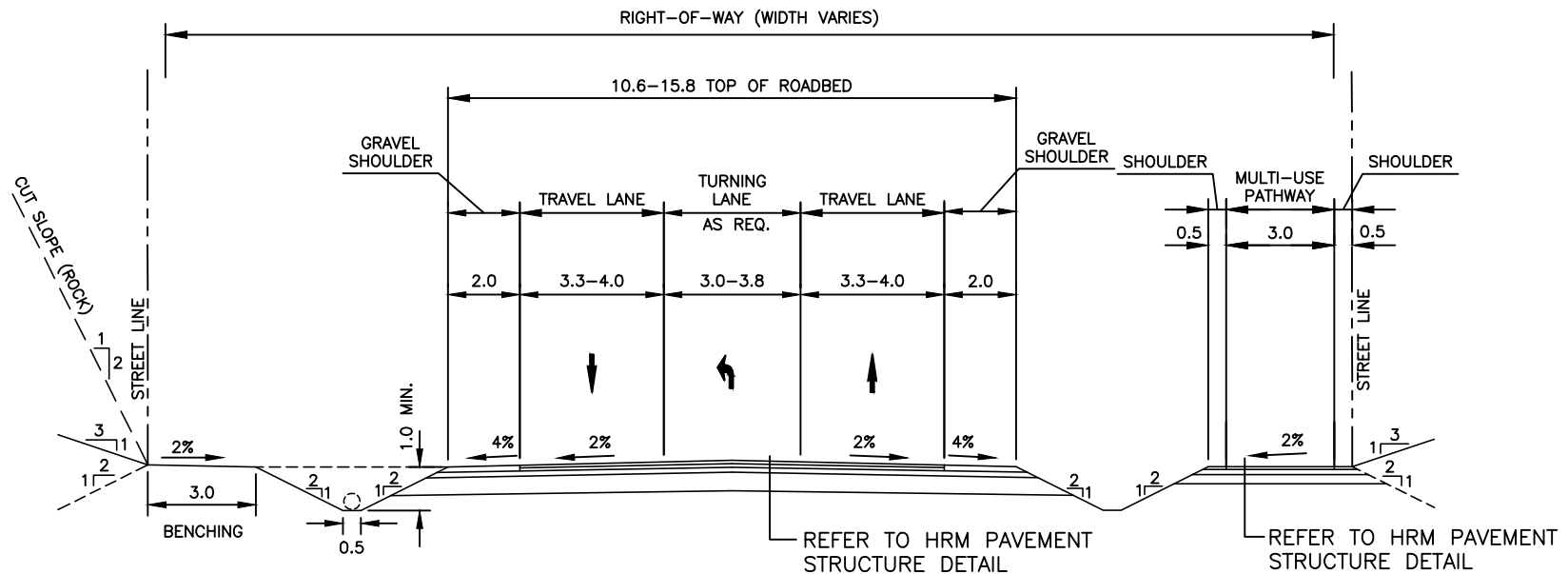
1. SEE SECTION 2.4.2 FOR FURTHER GUIDANCE.
2. BIKE INFRASTRUCTURE MAY BE REQUIRED AS PER MAPS IN PART A – APPENDIX B.
3. R.O.W. SHALL EXTEND TO BACKSLOPE OF DAYLIGHT DITCH.
4. FOR RURAL ROADS HAVING A GRADE EXCEEDING 7%, ASPHALT SWALES ARE REQUIRED ON EACH SIDE OF THE ROAD (ABUTTING THE ASPHALT TRAVEL WAY) WITH AN ASPHALT SWALE RUNOFF TO THE DITCH EVERY 30 m.
5. FALSE DITCH REQUIREMENTS SHALL MEET HALIFAX WATER SPECIFICATIONS.

# HALIFAX

STANDARD DETAIL

**RURAL  
(MINOR COLLECTOR)**

DATE:	2021	REFERENCE	APPROVED
SCALE:	NTS		FIG No.: <b>HRM 13</b>



## CROSS SECTION

### NOTES:

1. SEE SECTION 2.4.2 FOR FURTHER GUIDANCE.
2. BIKE INFRASTRUCTURE MAY BE REQUIRED AS PER MAPS IN PART A – APPENDIX B.
3. R.O.W. SHALL EXTEND TO BACKSLOPE OF DAYLIGHT DITCH.
4. FOR RURAL ROADS HAVING A GRADE EXCEEDING 7%, ASPHALT SWALES ARE REQUIRED ON EACH SIDE OF THE ROAD (ABUTTING THE ASPHALT TRAVEL WAY) WITH AN ASPHALT SWALE RUNOFF TO THE DITCH EVERY 30 m.
5. FALSE DITCH REQUIREMENTS SHALL MEET HALIFAX WATER SPECIFICATIONS.

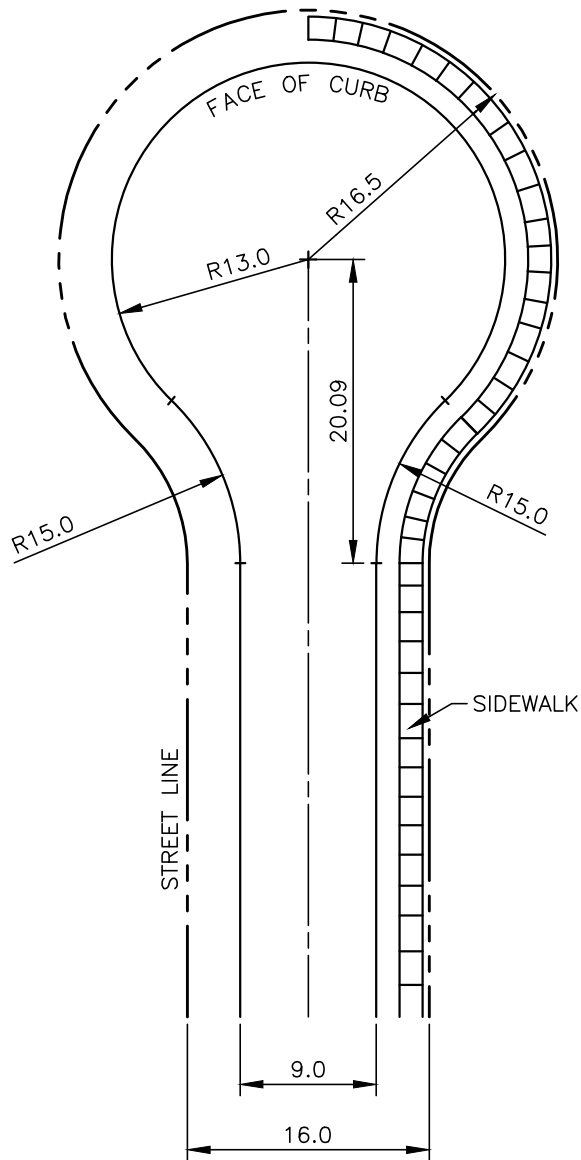
# HALIFAX

STANDARD DETAIL

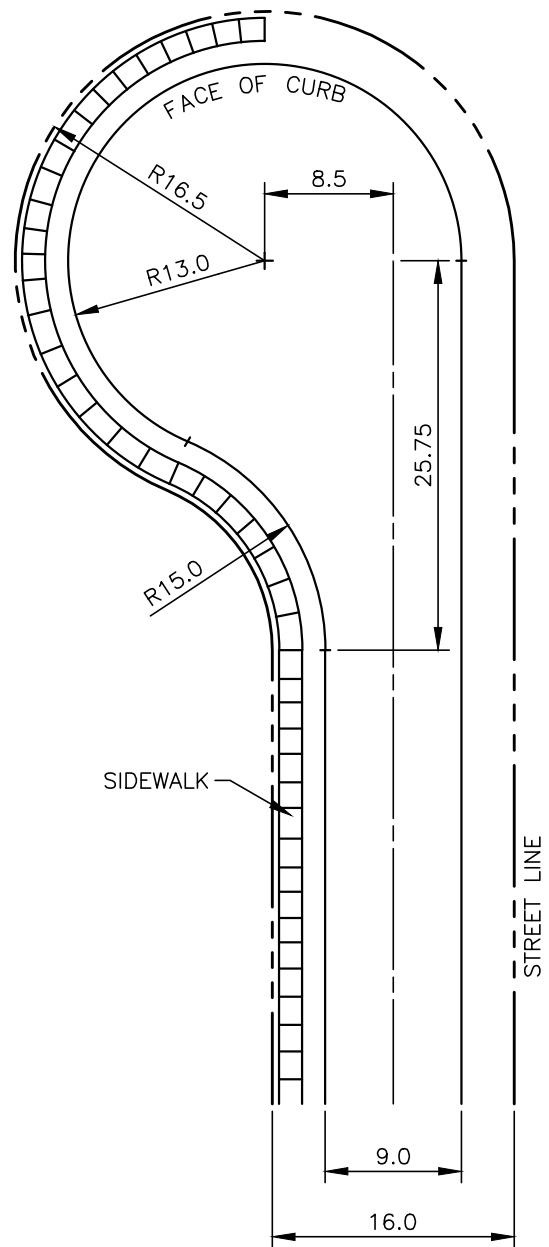
**RURAL  
(MAJOR COLLECTOR)**

DATE:	2021	REFERENCE	APPROVED
SCALE:	NTS		FIG No.: <b>HRM 14</b>





TYPE 1  
SYMMETRICAL CUL-DE-SAC



TYPE 2  
LEFT OFFSET CUL-DE-SAC

NOTE:

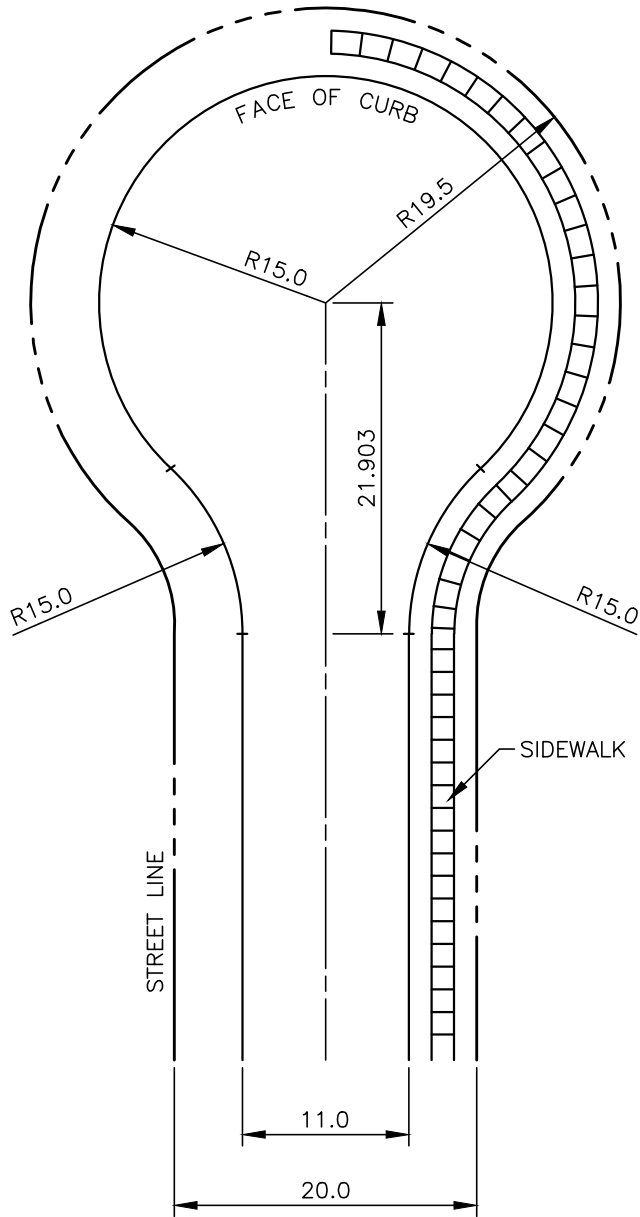
RIGHT OFFSET CUL-DE-SAC IS ALSO PERMITTED.

**HALIFAX**

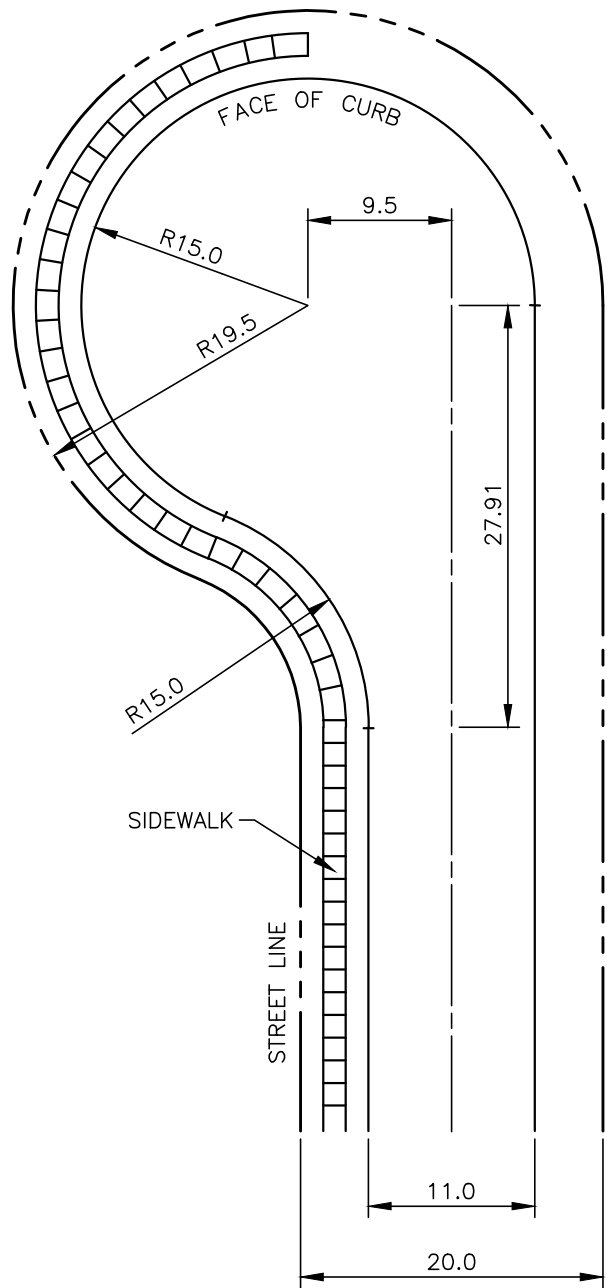
STANDARD DETAIL

URBAN LOCAL CUL-DE-SAC

DATE:	2021	REFERENCE	APPROVED
SCALE:	1:500		FIG No.: HRM 15



SYMMETRICAL CUL-DE-SAC



LEFT OFFSET CUL-DE-SAC

NOTE:

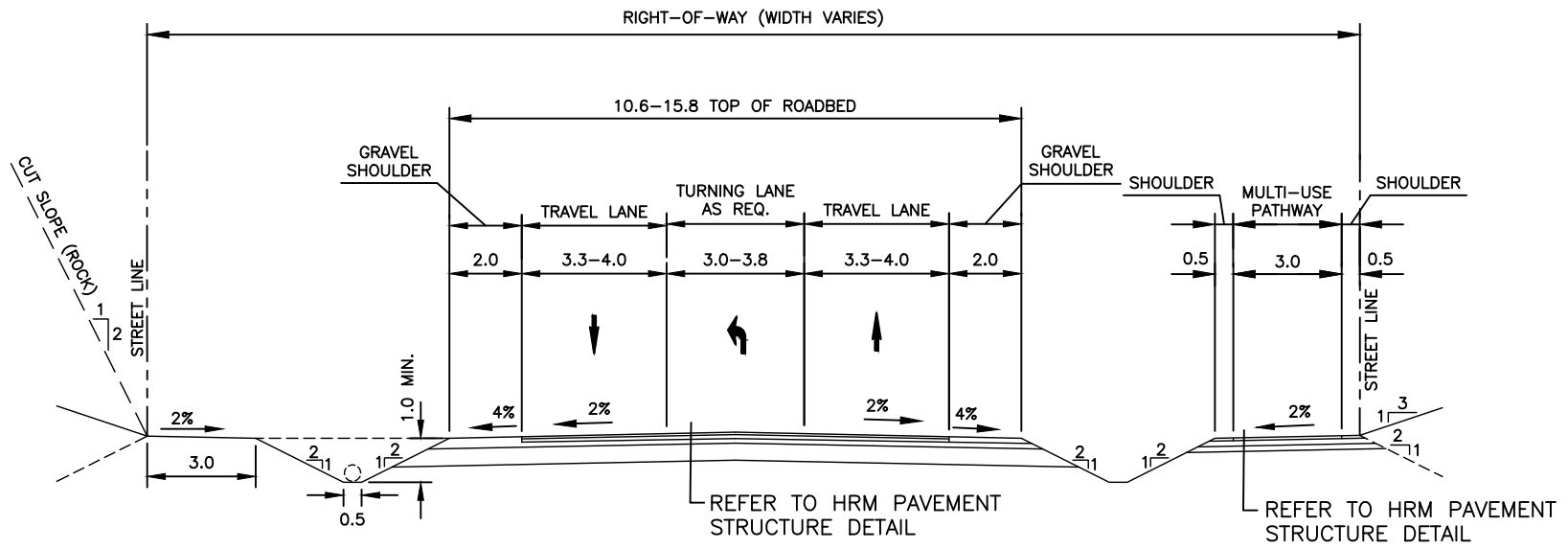
RIGHT OFFSET CUL-DE-SAC IS ALSO PERMITTED.

**HALIFAX**

STANDARD DETAIL

URBAN INDUSTRIAL  
CUL-DE-SAC

DATE:	2021	REFERENCE	APPROVED
SCALE:	1:500		FIG No.: HRM 16



## CROSS SECTION

### NOTES:

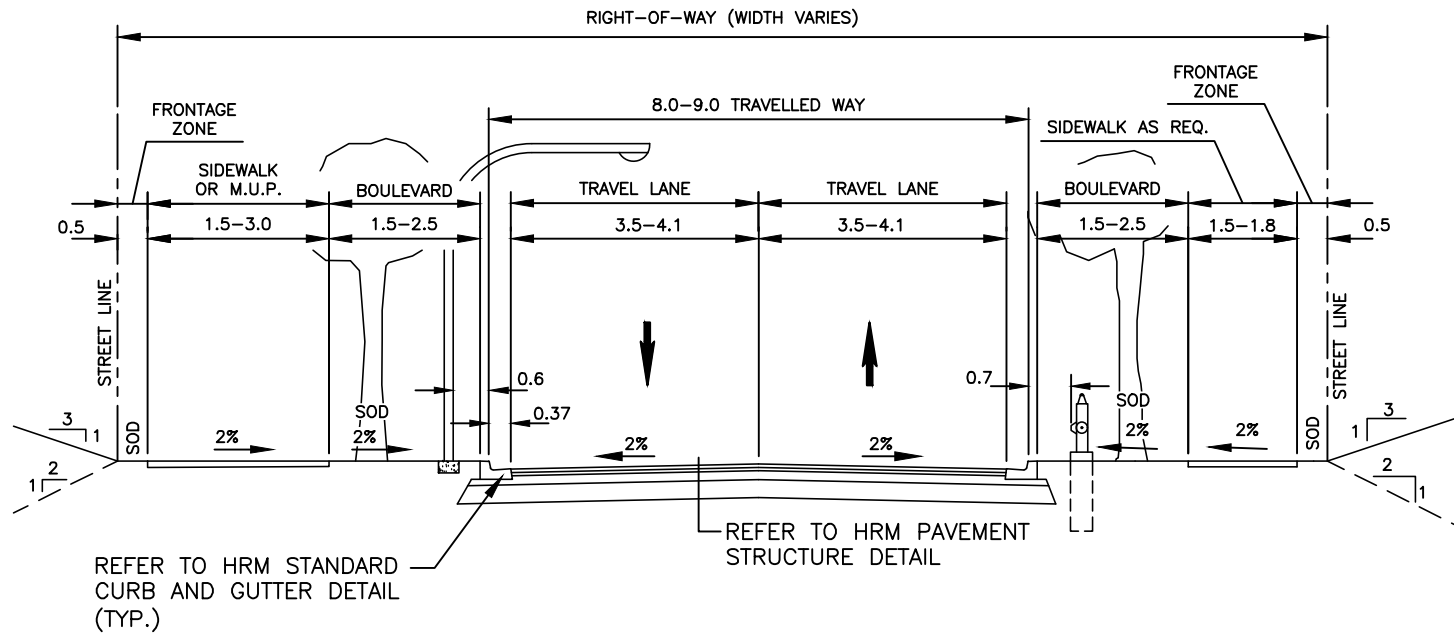
1. SEE SECTION 2.4.2 FOR FURTHER GUIDANCE.
2. BIKE INFRASTRUCTURE MAY BE REQUIRED AS PER MAPS IN PART A – APPENDIX B.
3. MEDIAN OPTIONAL. WHERE MEDIAN IS PLACED, TURN LANES MAY BE FORMED BY REDUCING MEDIAN WIDTH.
4. R.O.W. SHALL EXTEND TO BACKSLOPE OF DAYLIGHT DITCH.
5. FOR RURAL ROADS HAVING A GRADE EXCEEDING 7%, ASPHALT SWALES ARE REQUIRED ON EACH SIDE OF THE ROAD (ABUTTING THE ASPHALT TRAVEL WAY) WITH AN ASPHALT SWALE RUNOFF TO THE DITCH EVERY 30 m.
6. FALSE DITCH REQUIREMENTS SHALL MEET HALIFAX WATER SPECIFICATIONS.
7. ADDITIONAL TRAVEL LANES MAY BE REQUIRED, AS DETERMINED BY A TRAFFIC IMPACT ASSESSMENT. WIDTH OF ADDITIONAL TRAVEL LANES MAY RANGE FROM 3.3 – 3.8 m.

# HALIFAX

## STANDARD DETAIL

### RURAL (ARTERIAL)

DATE:	2021	REFERENCE	APPROVED
SCALE:	NTS		FIG No.:
			<b>HRM 17</b>



## CROSS SECTION

### NOTES:

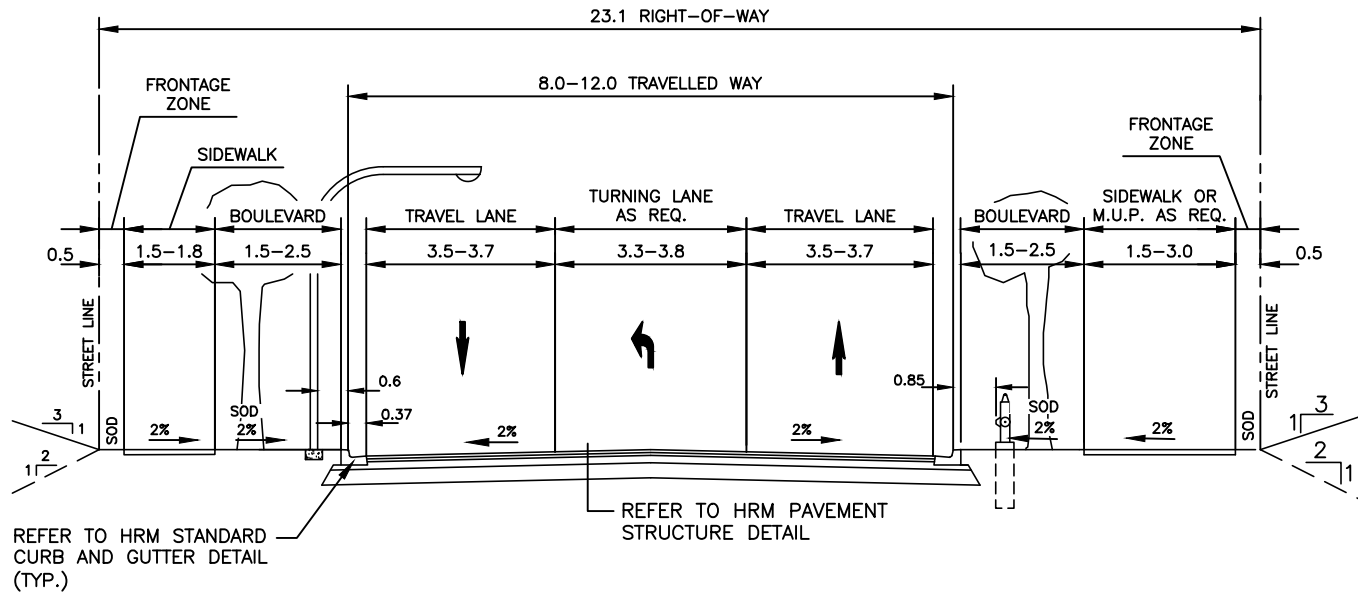
1. SEE SECTION 2.4.2 FOR FURTHER GUIDANCE.
2. LANE WIDTHS DO NOT INCLUDE STANDARD GUTTER WIDTH.
3. BIKE INFRASTRUCTURE MAY BE REQUIRED AS PER MAPS IN PART A – APPENDIX B.
4. A MULTI-USE PATH MAY BE USED IN LIEU OF A SIDEWALK. SEE SECTION 2.2.2 FOR REQUIRED MULTI-USE PATH WIDTH.
5. SIDEWALKS MAY BE REQUIRED ON BOTH SIDES BASED ON DESTINATIONS AND PEDESTRIAN VOLUMES.

# HALIFAX

STANDARD DETAIL

**INDUSTRIAL  
(LOCAL)**

DATE:	2021	REFERENCE	APPROVED
SCALE:	NTS		FIG No.: <b>HRM 18</b>



## CROSS SECTION

**NOTES:**

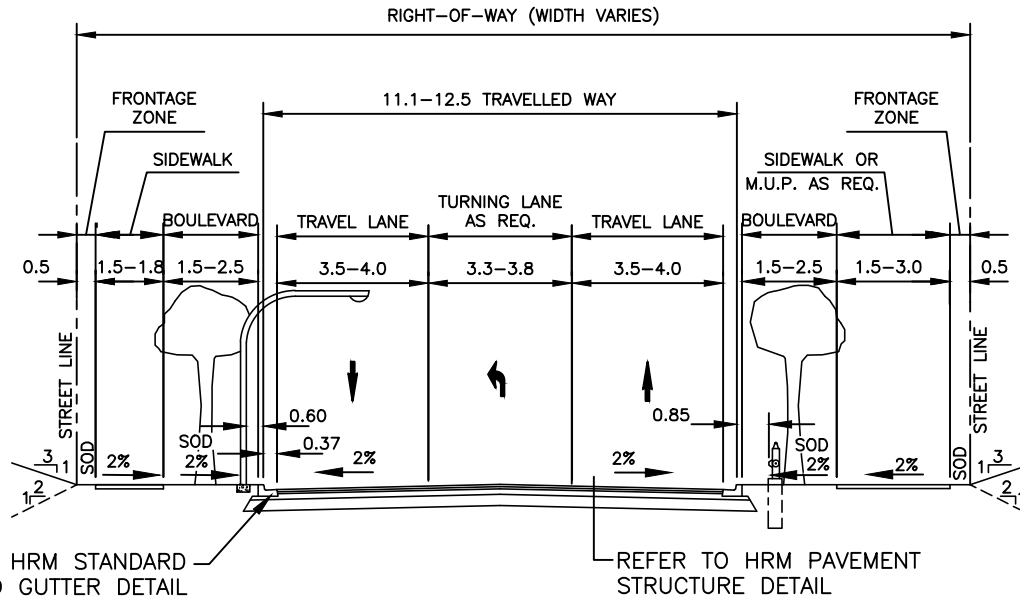
1. SEE SECTION 2.4.2 FOR FURTHER GUIDANCE.
2. LANE WIDTHS DO NOT INCLUDE STANDARD GUTTER WIDTH.
3. TURNING LANES MAY BE FORMED BY LIMITING CURBSIDE USE IN THAT AREA.
4. BIKE INFRASTRUCTURE MAY BE REQUIRED AS PER MAPS IN PART A – APPENDIX B.
5. A MULTI-USE PATH MAY BE USED IN LIEU OF A SIDEWALK. SEE SECTION 2.2.2 FOR REQUIRED MULTI-USE PATH WIDTH.

# HALIFAX

STANDARD DETAIL

**INDUSTRIAL  
(MINOR COLLECTOR)**

DATE:	2021	REFERENCE	APPROVED
SCALE:	NTS		FIG No.: <b>HRM 19</b>



REFER TO HRM STANDARD CURB AND GUTTER DETAIL (TYP.)

REFER TO HRM PAVEMENT STRUCTURE DETAIL

### CROSS SECTION

**NOTE:**

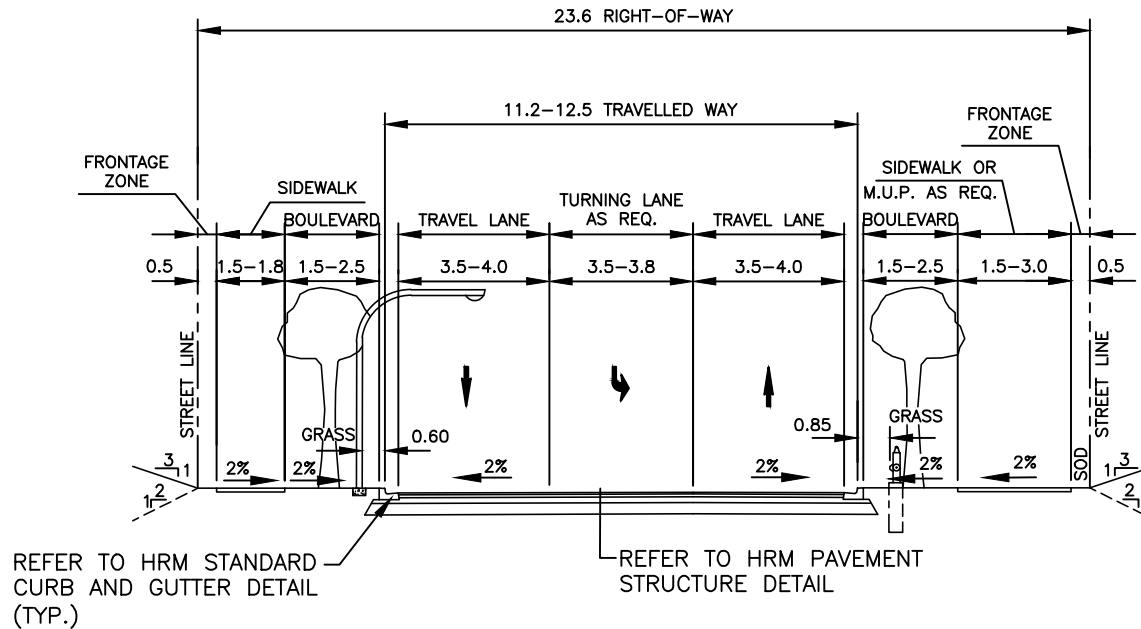
1. SEE SECTION 2.4.2 FOR FURTHER GUIDANCE.
2. LANE WIDTHS DO NOT INCLUDE STANDARD GUTTER WIDTH.
3. BIKE INFRASTRUCTURE MAY BE REQUIRED AS PER MAPS IN PART A - APPENDIX B..
4. MULTI-USE PATH MAY BE USED IN LIEU OF SIDEWALK. SEE SECTION 2.2.2 FOR REQUIRED MULTI-USE PATH WIDTH.

# HALIFAX

STANDARD DETAIL

**INDUSTRIAL  
(MAJOR COLLECTOR)**

DATE:	2021	REFERENCE	APPROVED
SCALE:	NTS		FIG No.: HRM 20

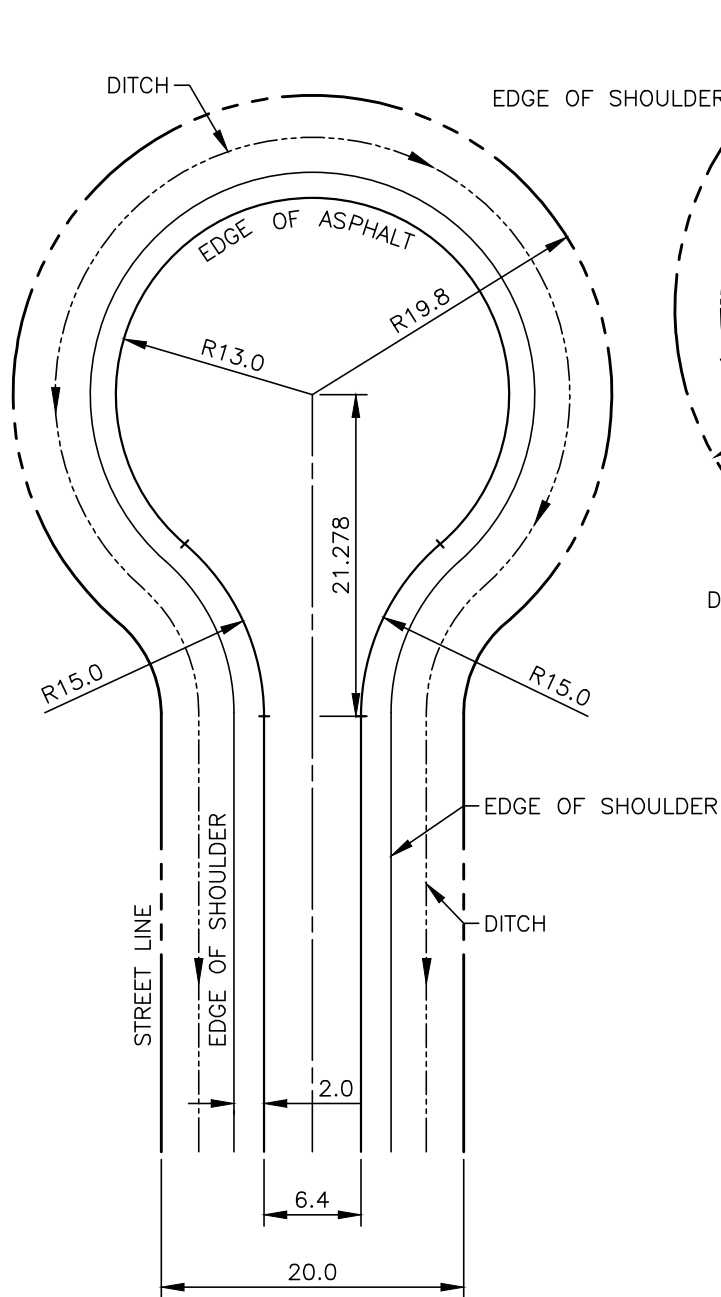


## CROSS SECTION

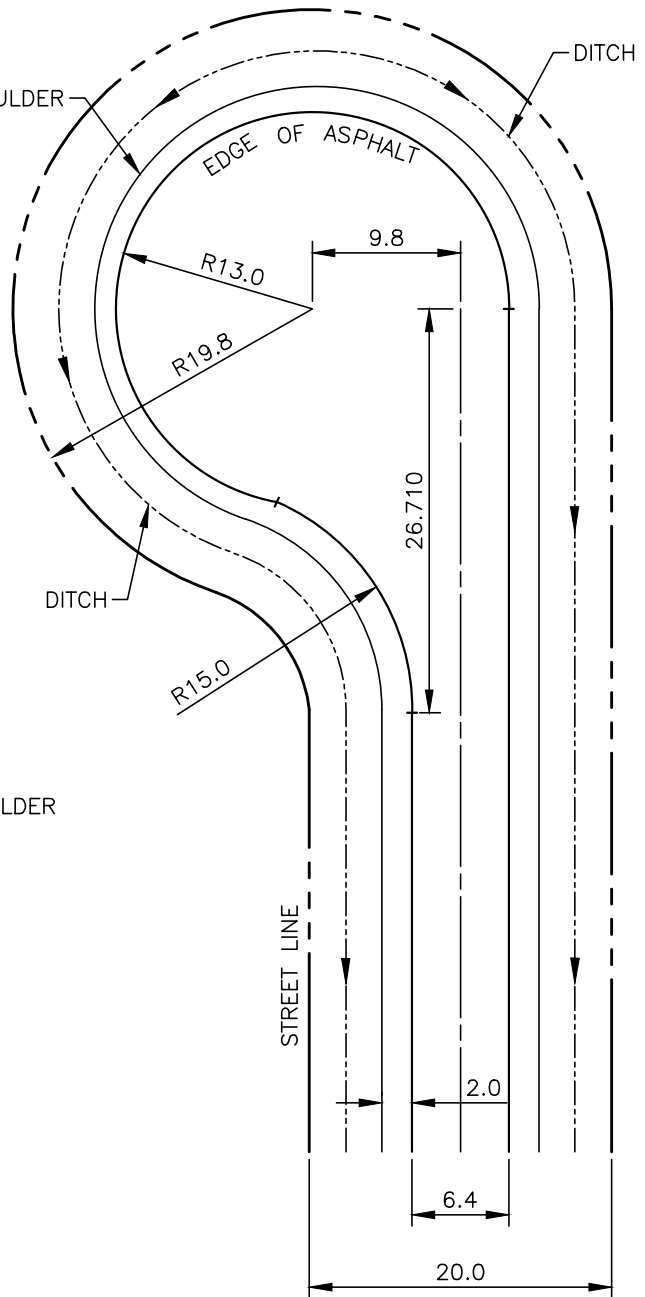
**NOTES:**

1. SEE SECTION 2.4.2 FOR FURTHER GUIDANCE.
2. LANE WIDTHS DO NOT INCLUDE STANDARD GUTTER WIDTH.
3. BIKE INFRASTRUCTURE MAY BE REQUIRED AS PER MAPS IN PART A – APPENDIX B.
4. MULTI-USE PATH MAY BE USED IN LIEU OF SIDEWALK. SEE SECTION 2.2.2 FOR REQUIRED MULTI-USE PATH WIDTH.
5. MEDIAN OPTIONAL. WHERE MEDIAN IS USED, TURN LANES MAY BE FORMED BY REDUCING MEDIAN WIDTH.
6. ADDITIONAL TRAVEL LANES MAY BE REQUIRED, AS DETERMINED BY A TRAFFIC IMPACT ASSESSMENT. WIDTH OF ADDITIONAL TRAVEL LANES MAY RANGE FROM 3.3 – 3.8 m.

HALIFAX		
STANDARD DETAIL		
INDUSTRIAL (ARTERIAL)		
DATE:	REFERENCE	APPROVED
2021		
SCALE:		FIG No.:
NTS		HRM 21



**SYMMETRICAL CUL-DE-SAC**



**LEFT OFFSET CUL-DE-SAC**

**NOTE:**

RIGHT OFFSET CUL-DE-SAC IS ALSO PERMITTED.

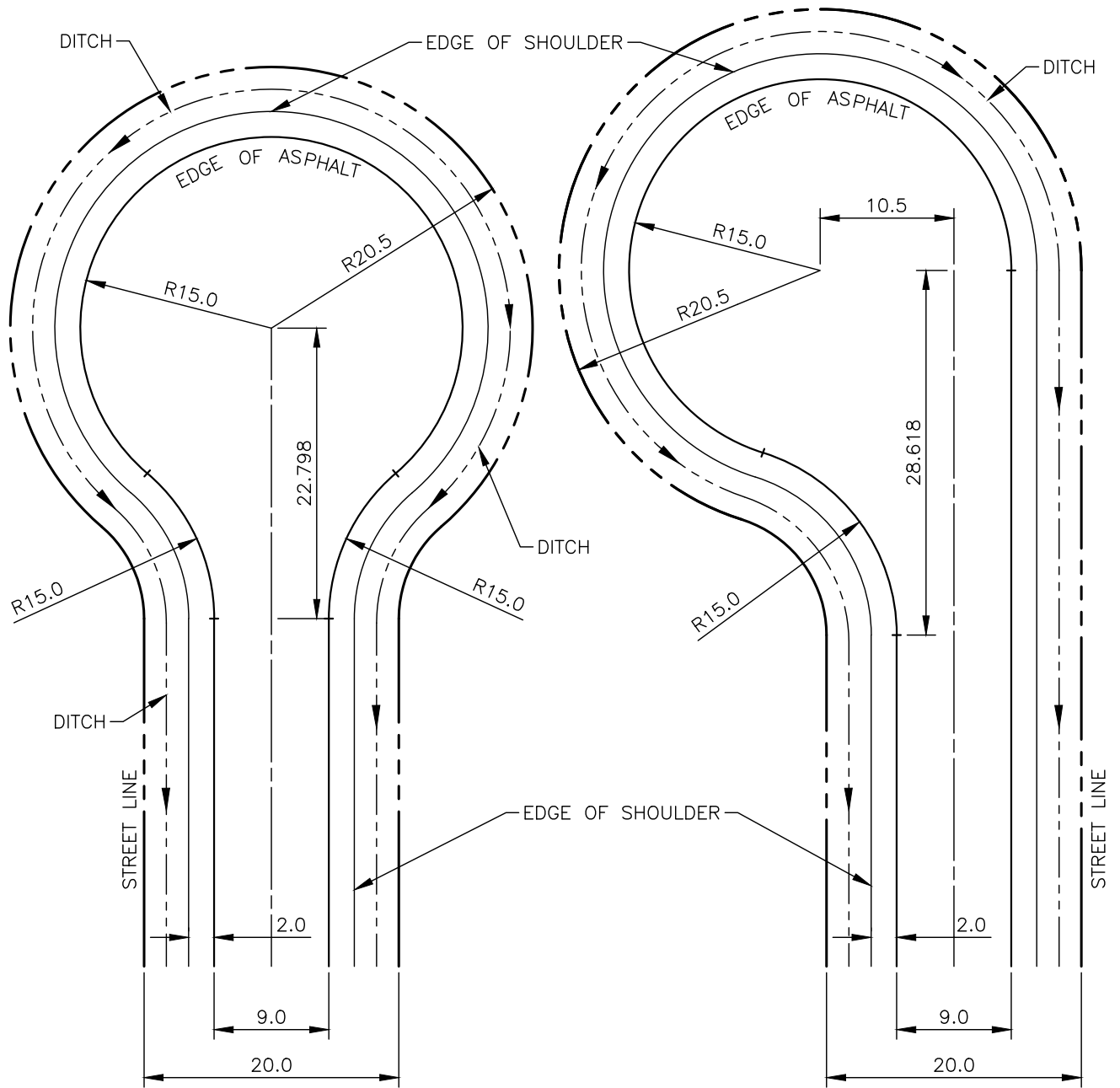
**HALIFAX**

STANDARD DETAIL

RURAL LOCAL  
CUL-DE-SAC

DATE:	2021	REFERENCE	APPROVED
SCALE:	1:500		FIG No.: <b>HRM 27</b>





**SYMMETRICAL CUL-DE-SAC**

**LEFT OFFSET CUL-DE-SAC**

**NOTE:**

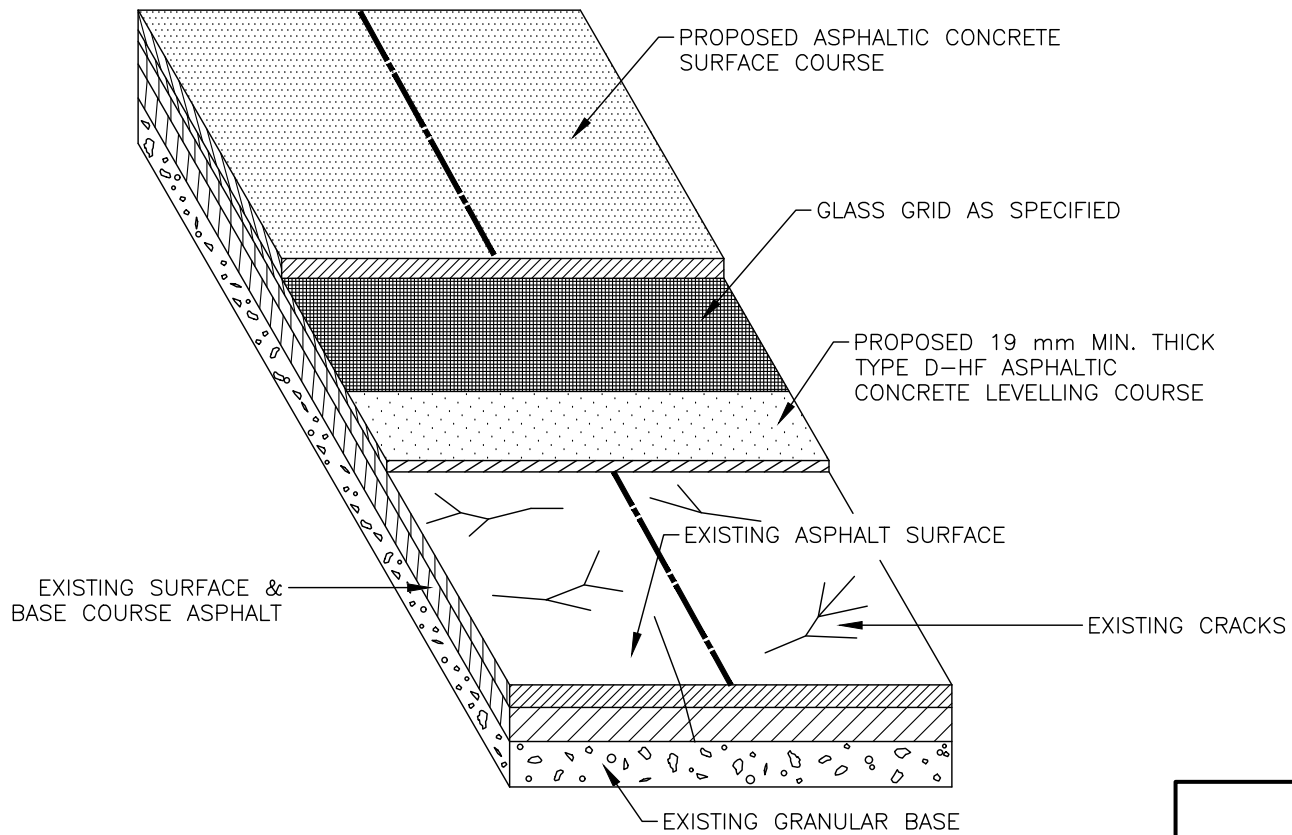
RIGHT OFFSET CUL-DE-SAC IS ALSO PERMITTED.

**HALIFAX**

STANDARD DETAIL

RURAL INDUSTRIAL  
CUL-DE-SAC

DATE:	2021	REFERENCE	APPROVED
SCALE:	1:500		FIG No.: <b>HRM 28</b>

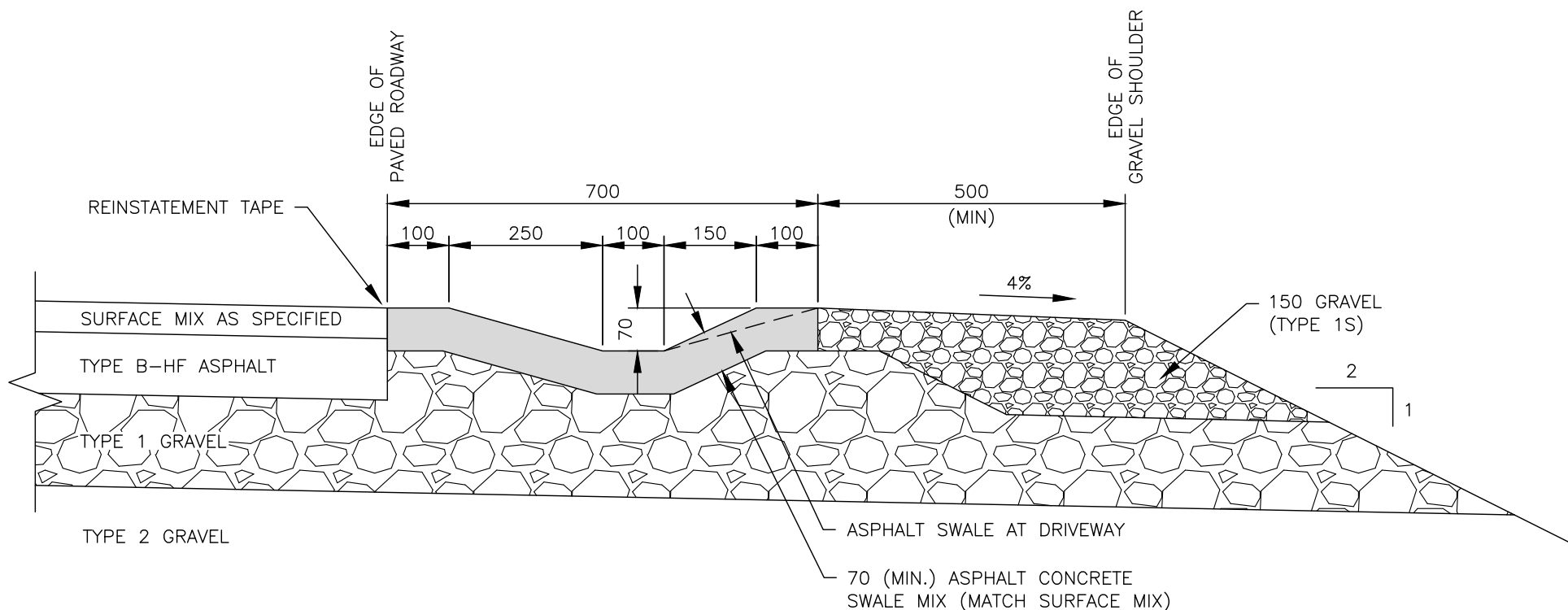


# HALIFAX

STANDARD DETAIL

## GLASS GRID INSTALLATION

DATE:	2021	REFERENCE	APPROVED
SCALE:	NTS		FIG No.: <b>HRM 29</b>



**NOTE:**

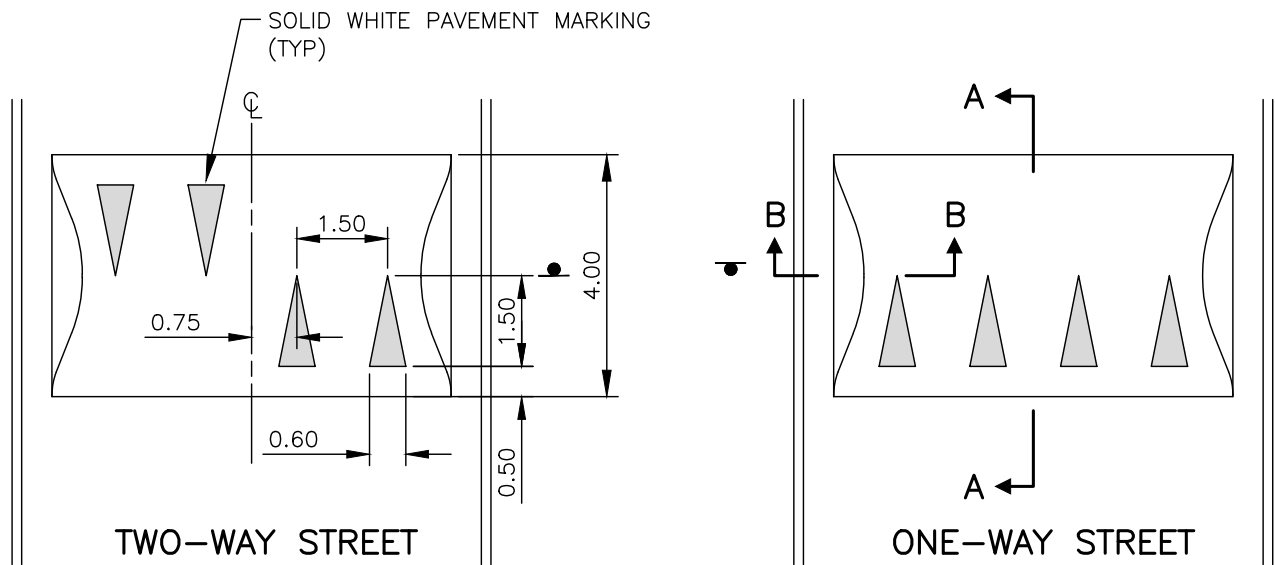
1. FOR ALL RURAL ROADS HAVING A GRADE EXCEEDING 7%, ASPHALT SWALES ARE REQUIRED ON EACH SIDE OF THE ROAD (ABUTTING THE ASPHALT TRAVELLED WAY) ASPHALT SWALE RUNOFF TO THE DITCH EVERY 30m OR UPSTREAM AT DRIVEWAYS.
2. ASPHALT SWALE SHALL EXTEND TO THE EDGE OF SHOULDER AND DOWN THE SLOPE BY 1 m MINIMUM.
3. MATCH CROSSFALL OF SWALE TO EXISTING CROSSFALL OF ROAD
4. ASPHALT SWALE TO BE MACHINE PLACED.
5. 1m ASPHALT APRON REQUIRED AT GRAVEL DRIVEWAYS.
6. DIMENSIONS ARE IN MILLIMETRES.

**HALIFAX**

STANDARD DETAIL

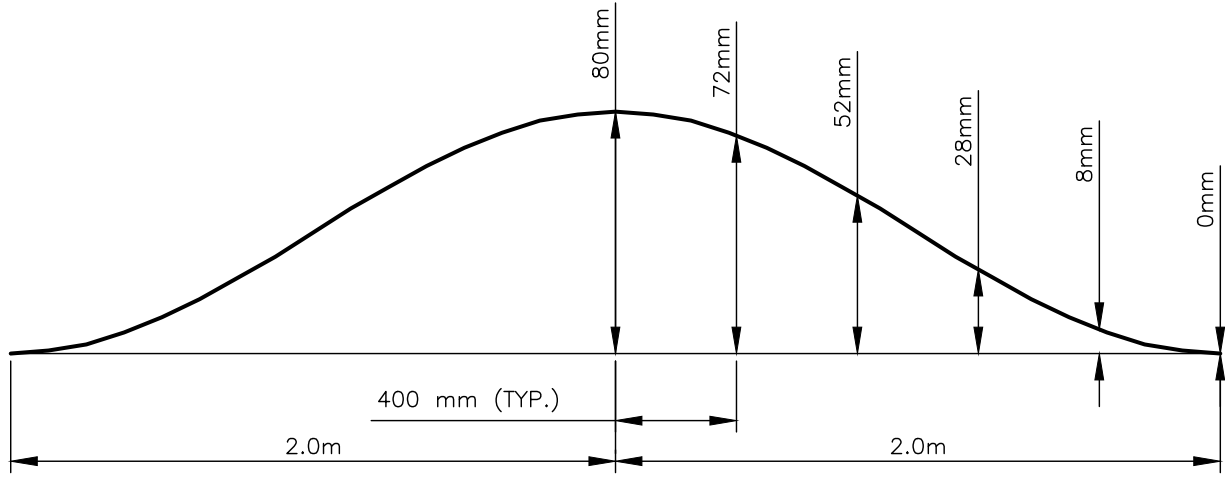
ASPHALT SWALE

DATE: 2021	REFERENCE	APPROVED
SCALE: 1:10		FIG No.: HRM 30

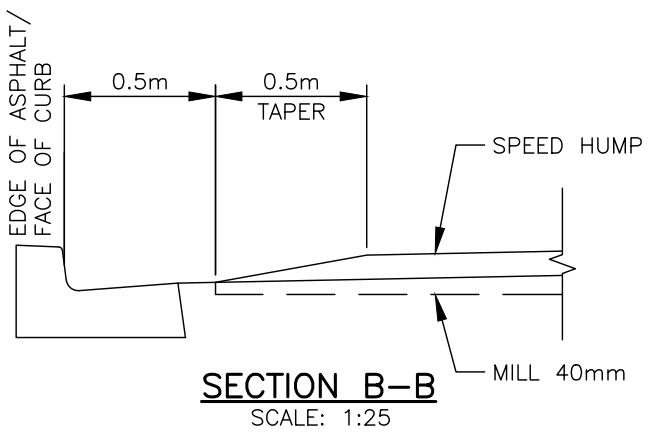


**SPEED HUMPS**  
SCALE: 1:125

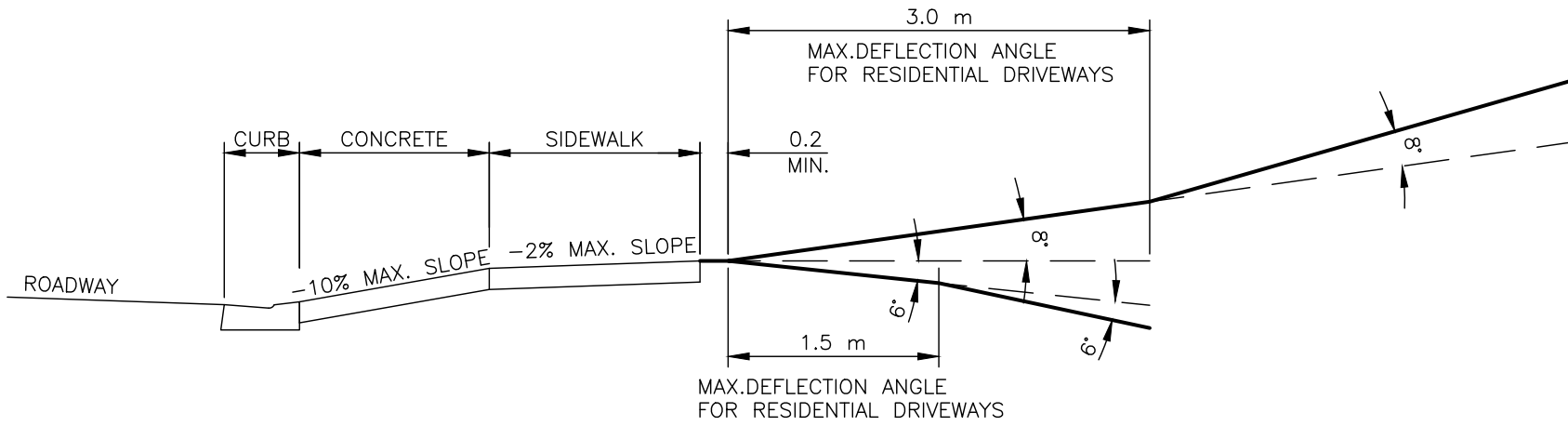
- NOTES:
1. TOLERANCE FOR CONSTRUCTION IS +/- 10mm RELATIVE TO THE CURVE.
  2. THE EXISTING ASPHALT SURFACE TO BE MILLED TO A DEPTH OF 40mm WHEN RETROFITTING.



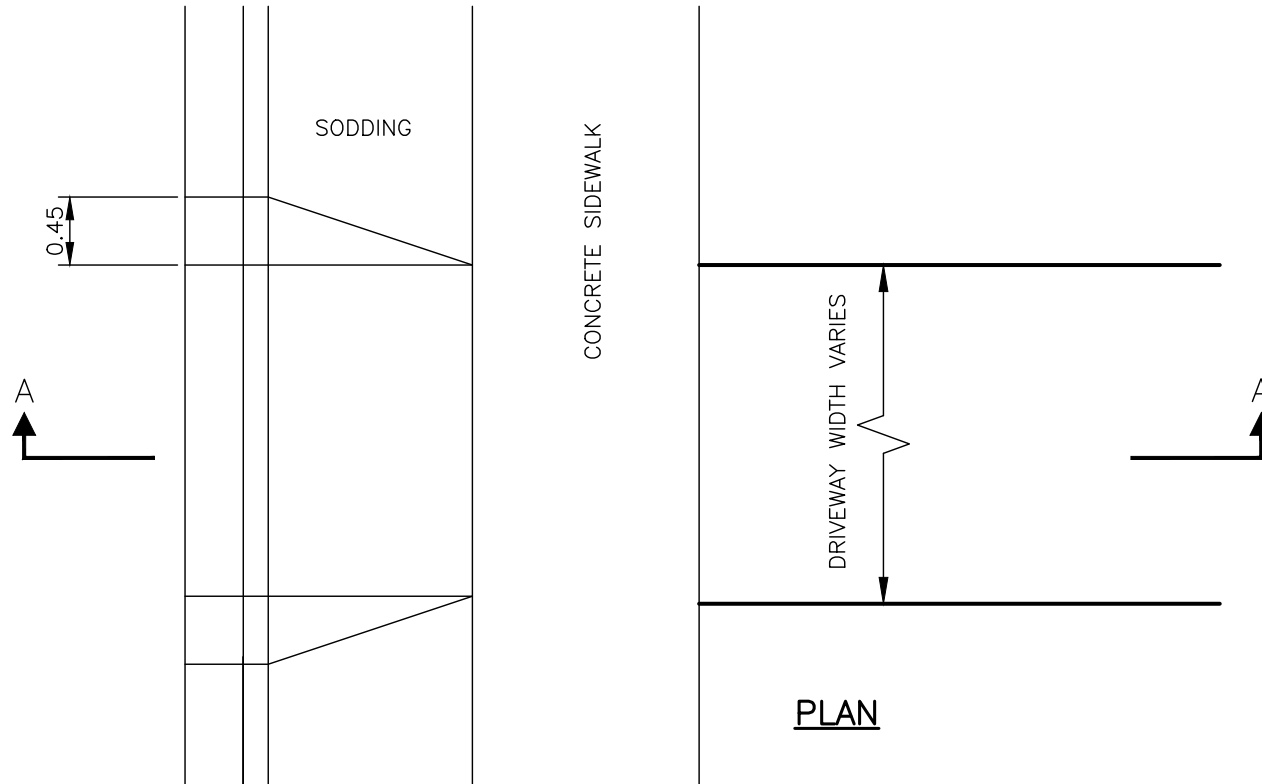
**SECTION A-A**  
SCALE: Horz. 1:25  
Vert. 1:2.5



<b>HALIFAX</b>		
STANDARD DETAIL		
SPEED HUMP		
DATE: 2021	REFERENCE	APPROVED
SCALE: AS NOTED		FIG No.: HRM 31



**SECTION A-A**



**NOTE:**

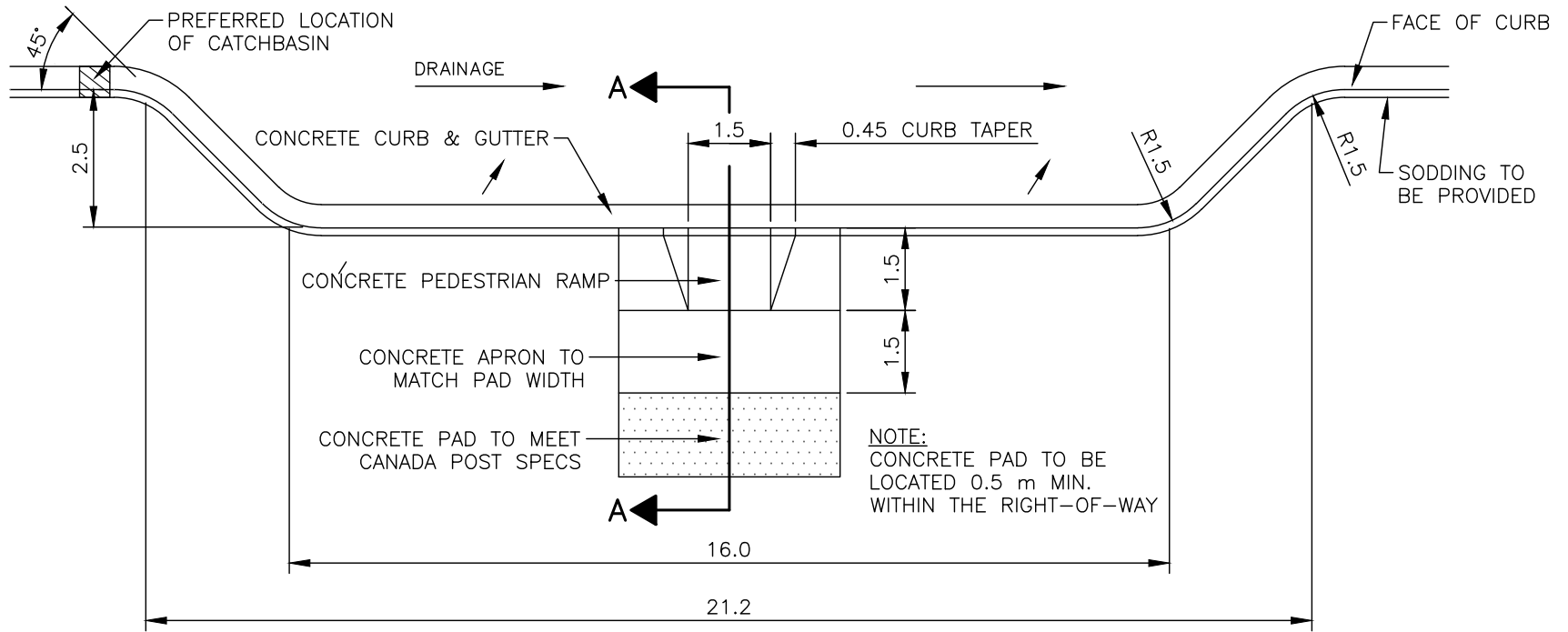
THIS DETAIL IS INTENDED FOR RETROFIT SITUATIONS, I.E. WHERE EXISTING DRIVEWAY GRADES MUST BE ADJUSTED TO MATCH NEW CONDITIONS IN THE STREET RIGHT-OF-WAY.

**HALIFAX**

STANDARD DETAIL

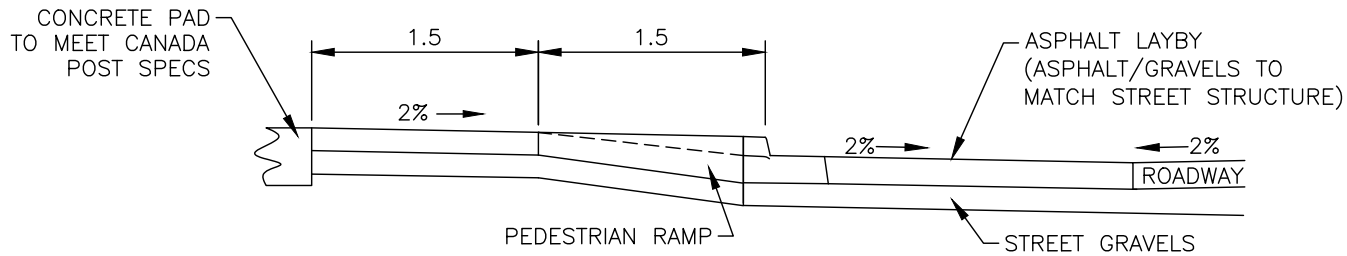
**DRIVEWAY DEFLECTION ANGLES & GRADES**

DATE:	2021	REFERENCE	APPROVED
SCALE:	1:50		FIG No.:
			<b>HRM 32</b>



NOTE: NOT TO BE USED ON LOCAL URBAN ROADS.

**PLAN**  
SCALE 1:125



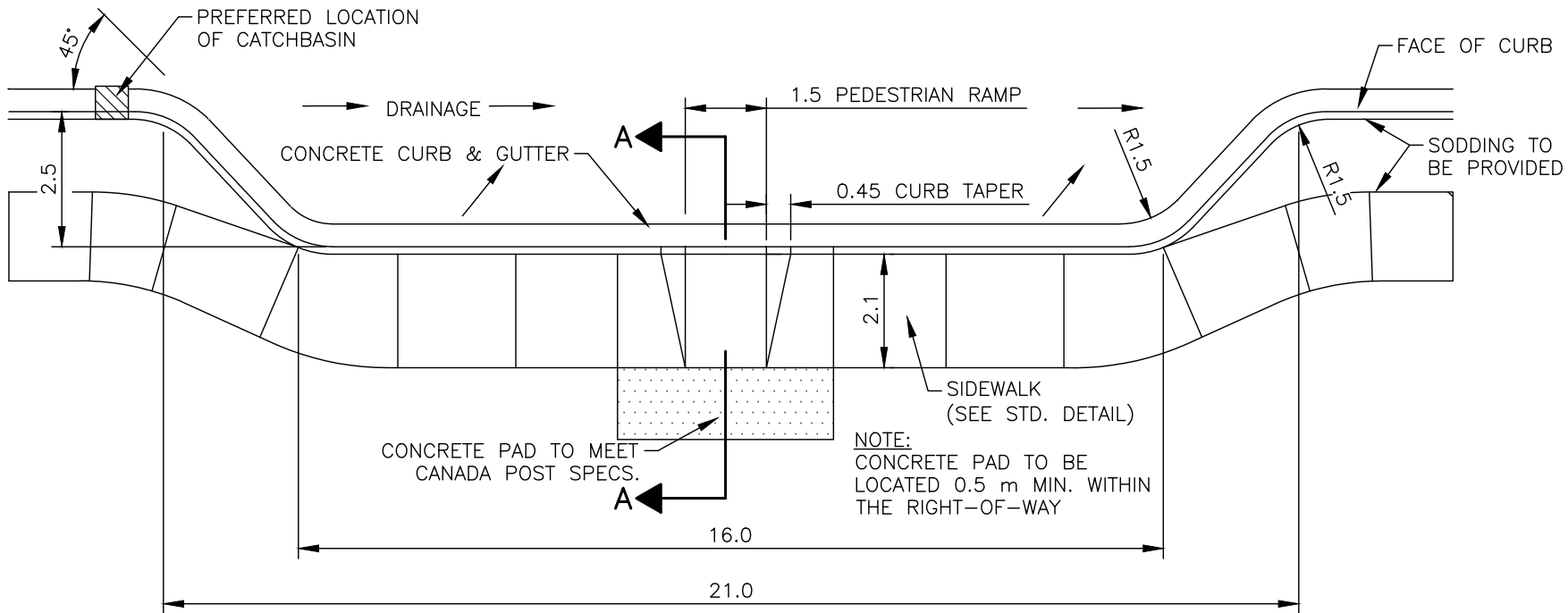
**SECTION A-A**  
SCALE 1:50

**HALIFAX**

STANDARD DETAIL

**COMMUNITY MAILBOX –  
URBAN ROAD WITHOUT SIDEWALK**

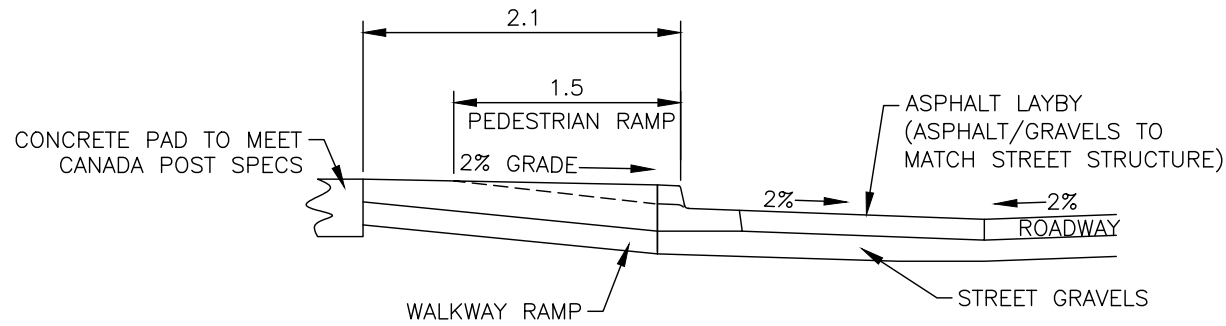
DATE: 2021	REFERENCE	APPROVED
SCALE: AS NOTED		FIG No.: HRM 33



NOTE: NOT TO BE USED ON LOCAL URBAN ROADS.

**PLAN**  
SCALE 1:125

NOTE:  
CONTROL JOINTS OF SIDEWALK TO  
BE IN LINE WITH THOSE OF CURB  
WHEREVER POSSIBLE



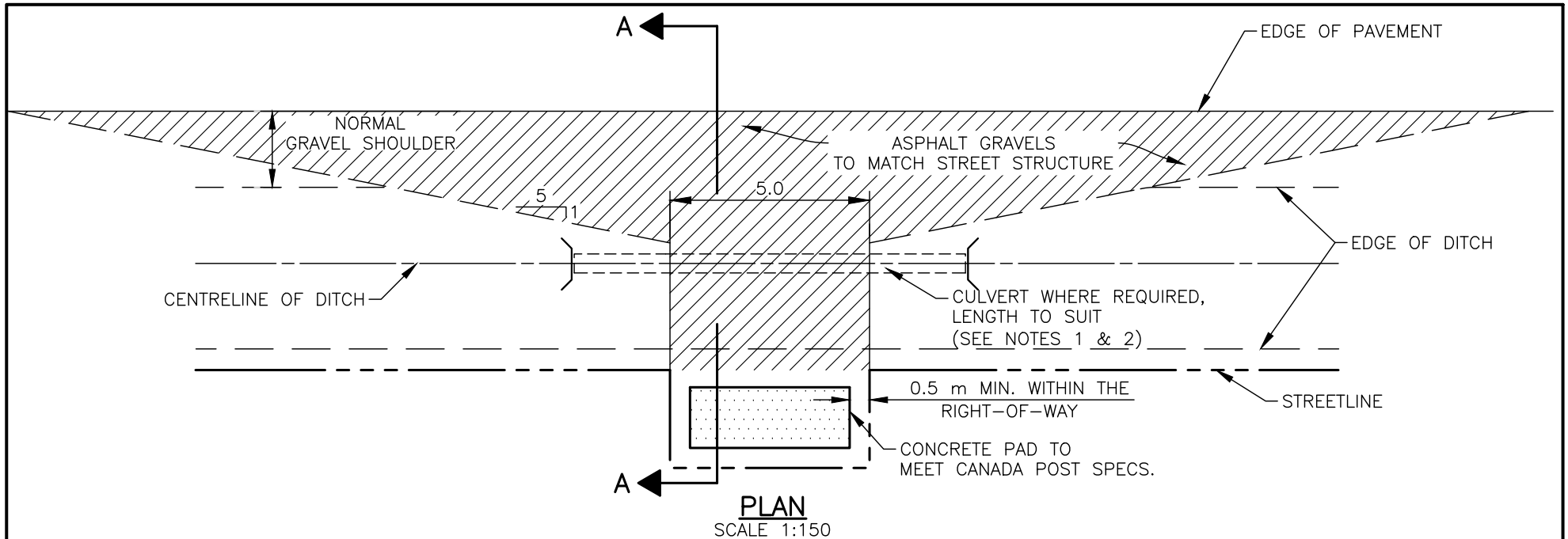
**SECTION A-A**  
SCALE 1:50

# HALIFAX

STANDARD DETAIL

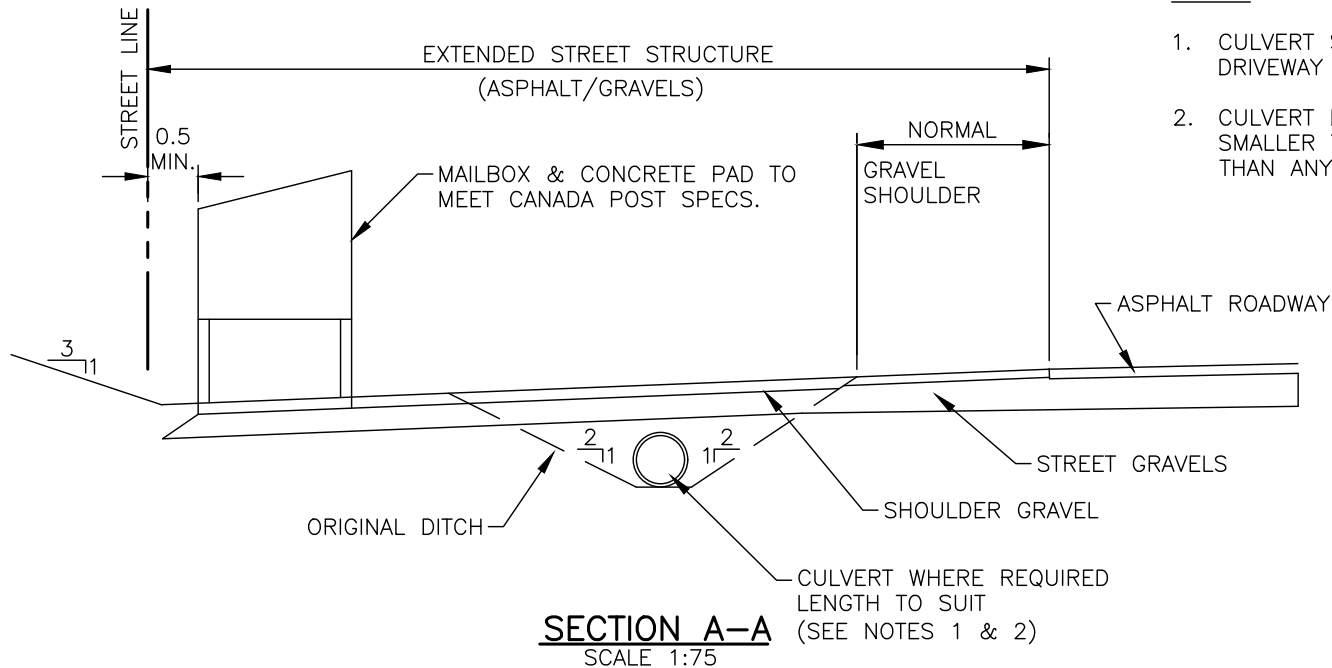
**COMMUNITY MAILBOX –  
URBAN ROAD WITH SIDEWALK**

DATE:	2021	REFERENCE	APPROVED
SCALE:	AS NOTED	FIG No.:	HRM 34



**NOTES:**

1. CULVERT SHALL BE INSTALLED WITH PRECAST CONCRETE DRIVEWAY HEADWALLS AS PER HALIFAX WATER GUIDELINES.
2. CULVERT DIAMETER AS PER DESIGN AND SHALL NOT BE SMALLER THAN 450 mm IN DIAMETER NOR SMALLER THAN ANY UPSTREAM CULVERT.



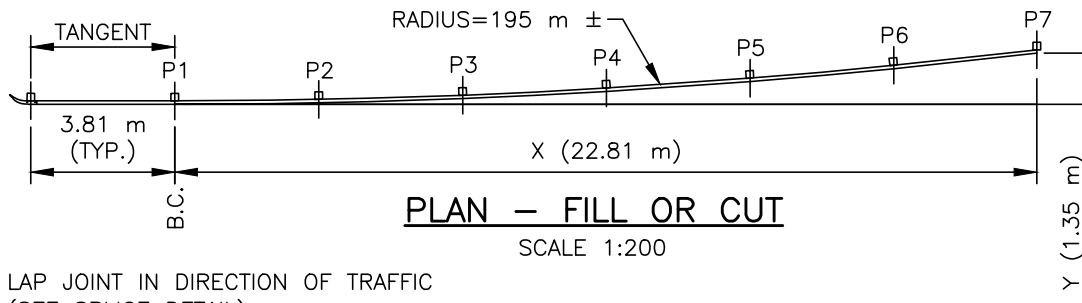
**HALIFAX**

STANDARD DETAIL

**COMMUNITY MAILBOX—  
RURAL ROAD LAYBY**

DATE:	2021	REFERENCE	APPROVED
SCALE:	AS NOTED	FIG No.:	HRM 35

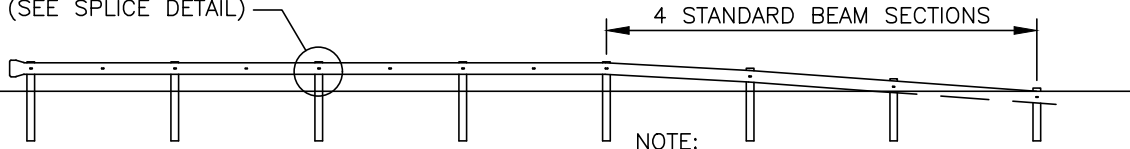




POST OFFSET TABLE		
POST #	X	Y
P1-P2	3.81	0.04
P1-P3	7.62	0.15
P1-P4	11.42	0.34
P1-P5	15.22	0.60
P1-P6	19.02	0.94
P1-P7	22.81	1.35

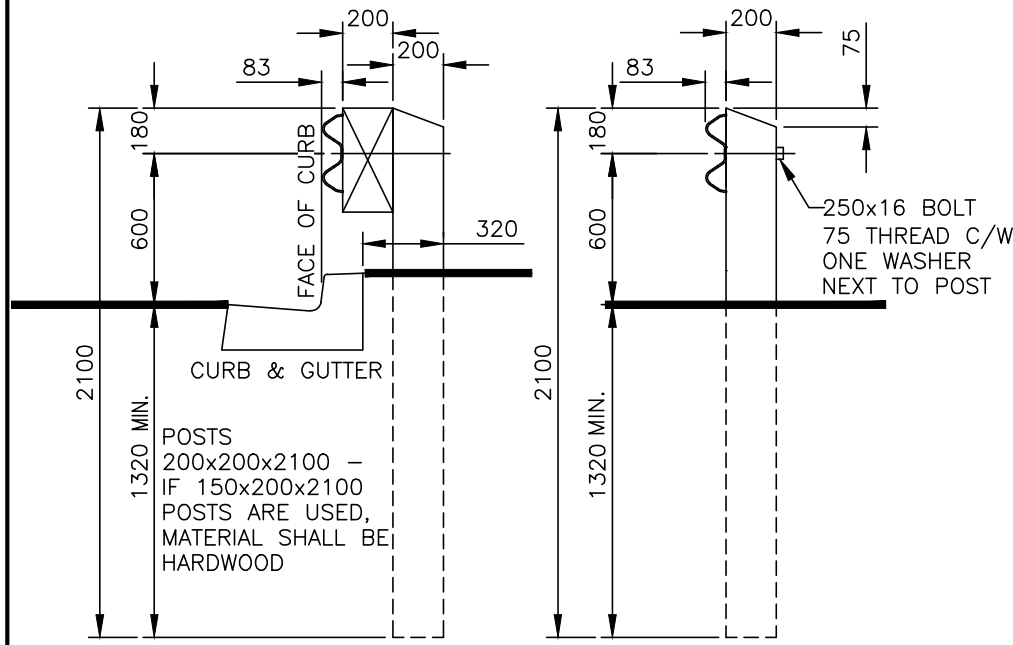
**PLAN – FILL OR CUT**  
SCALE 1:200

LAP JOINT IN DIRECTION OF TRAFFIC  
(SEE SPLICE DETAIL)



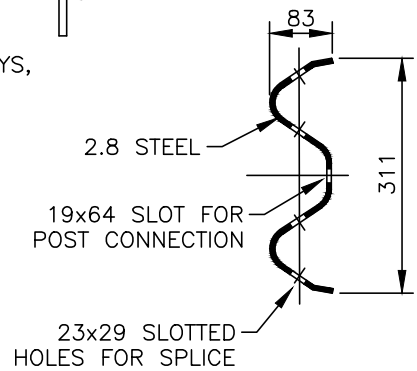
NOTE:  
FOR 2 LANE/2 WAY ROADWAYS,  
BURY BOTH ENDS.

**ELEVATION**  
SCALE 1:200

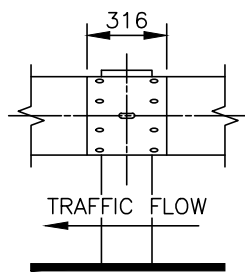


POSTS  
200x200x2100 –  
IF 150x200x2100  
POSTS ARE USED,  
MATERIAL SHALL BE  
HARDWOOD

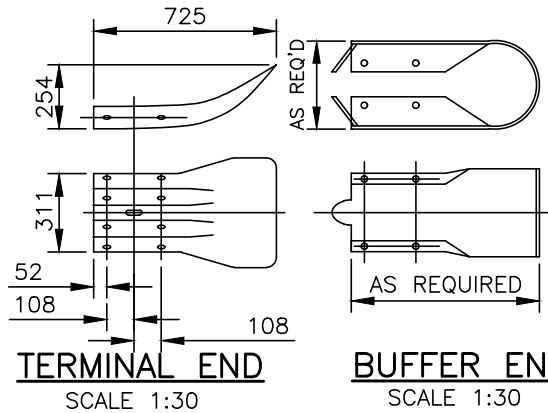
**SECTION**  
SCALE 1:30



**BEAM SECTION (TYP.)**  
SCALE 1:10



**SPLICE DETAIL**  
SCALE 1:30



**TERMINAL END**  
SCALE 1:30

**BUFFER END**  
SCALE 1:30

**NOTES:**

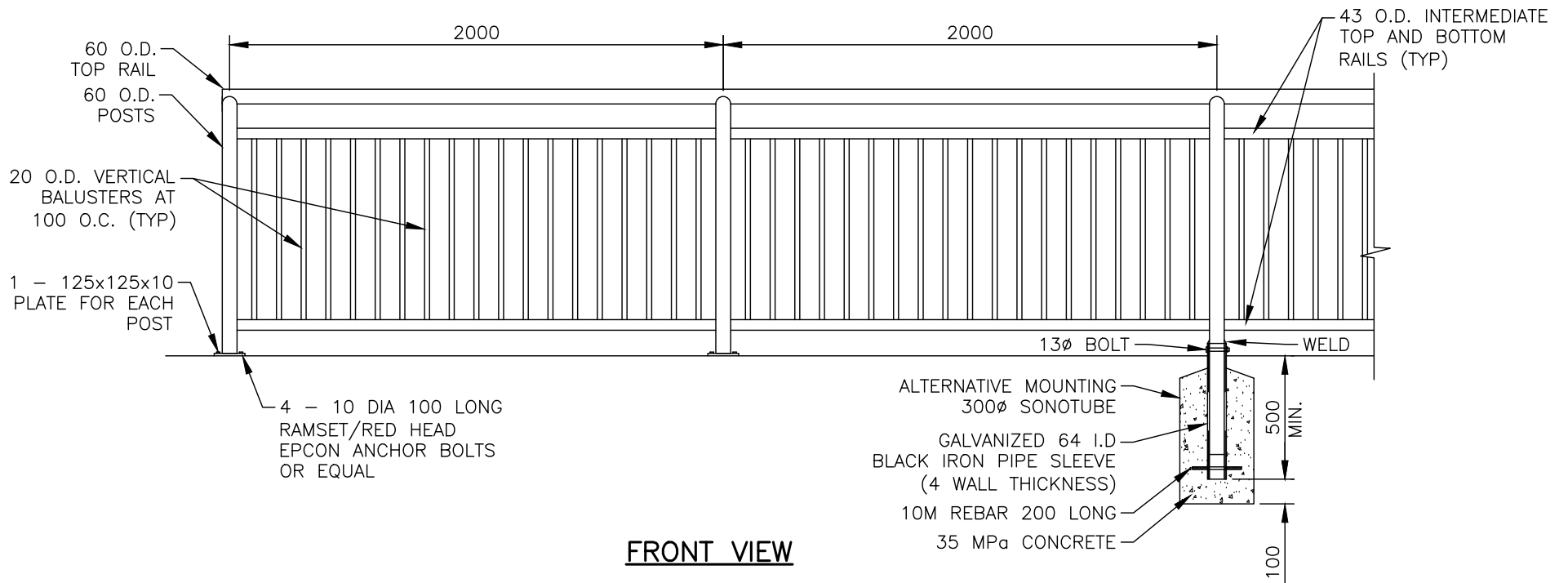
1. TWO 50x75 DELINEATORS ARE REQUIRED FOR EACH POST.
2. A WHITE DELINEATOR SHALL BE PLACED ON THE SIDE OF THE POST FACING TRAFFIC.
3. A YELLOW DELINEATOR SHALL BE PLACED ON THE OPPOSITE SIDE.
4. THE DELINEATOR SHALL BE PLACED ON THE OPPOSITE SIDE.
5. THE DELINEATOR SHALL BE LOCATED AT THE EDGE OF THE POST NEAREST THE ROAD, VERTICAL, WITH THE TOP 75 BELOW THE LOWEST POINT OF THE GUARDRAIL PANEL.
6. THE DELINEATOR SHALL BE ATTACHED WITH GALVANIZED NAILS.

HALIFAX

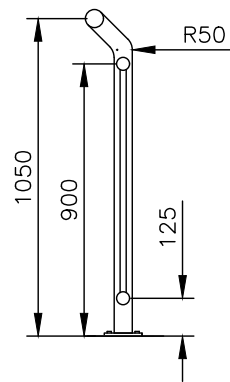
STANDARD DETAIL

GUIDE RAIL  
INSTALLATION

DATE: 2021	REFERENCE	APPROVED
SCALE: AS NOTED		FIG No.: <b>HRM 36</b>



**FRONT VIEW**



**SIDE VIEW**

**NOTE:**

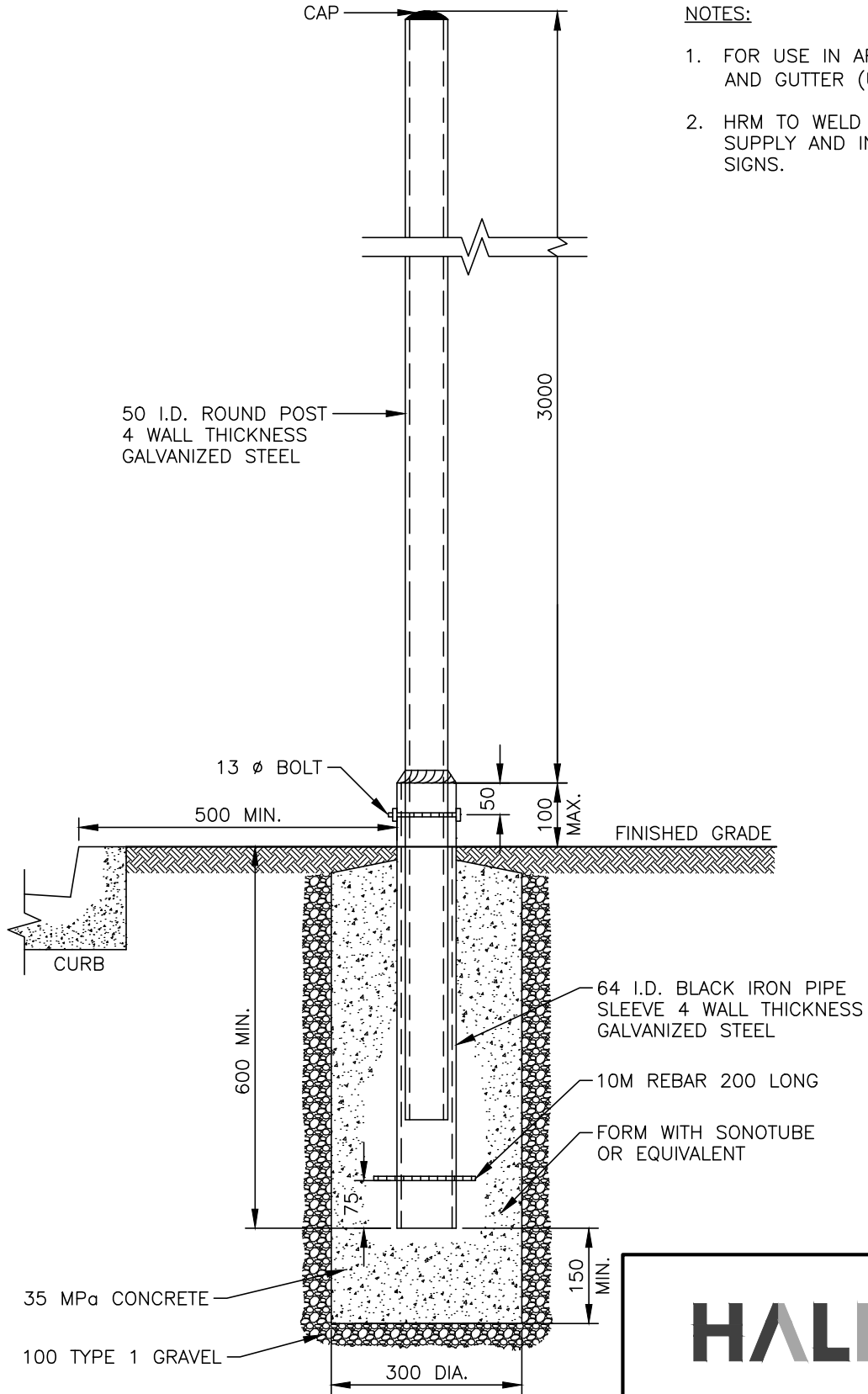
RAILING SYSTEM TO BE HOT DIPPED GALVANIZED AFTER FABRICATION. FIELD WELDS, IF NECESSARY SHALL BE PROTECTED WITH COLD GALVANIZING.

**HALIFAX**

STANDARD DETAIL

RAILING

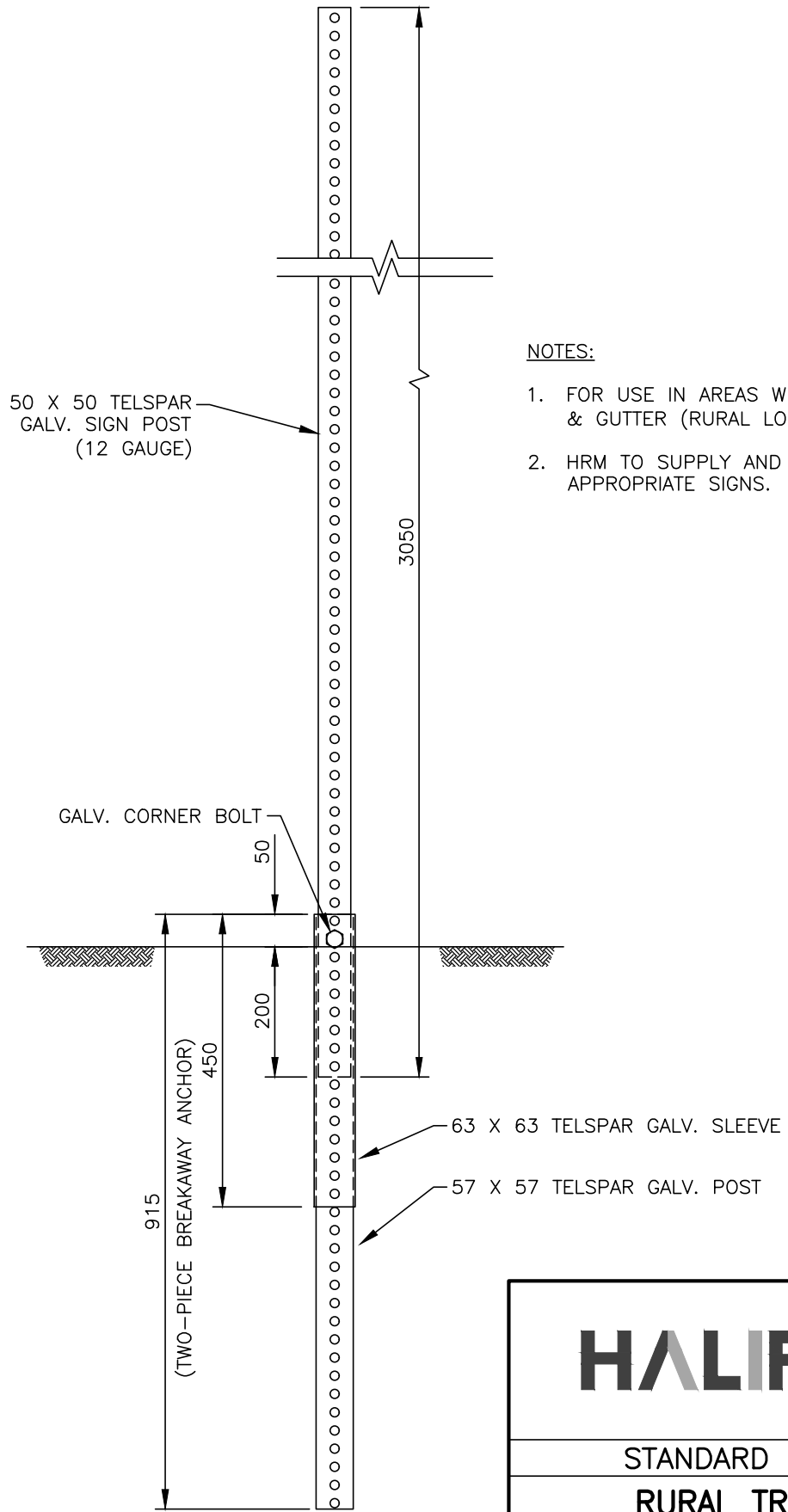
DATE:	2021	REFERENCE	APPROVED
SCALE:	1:25	FIG No.:	HRM 37



**NOTES:**

1. FOR USE IN AREAS WITH CURB AND GUTTER (URBAN LOCATIONS)
2. HRM TO WELD THE POST AND SUPPLY AND INSTALL APPROPRIATE SIGNS.

<h1>HALIFAX</h1>		
<b>STANDARD DETAIL</b>		
<b>URBAN TRAFFIC SIGN POST</b>		
DATE: 2021	REFERENCE	APPROVED
SCALE: 1:10		FIG No.: <b>HRM 38</b>



NOTES:

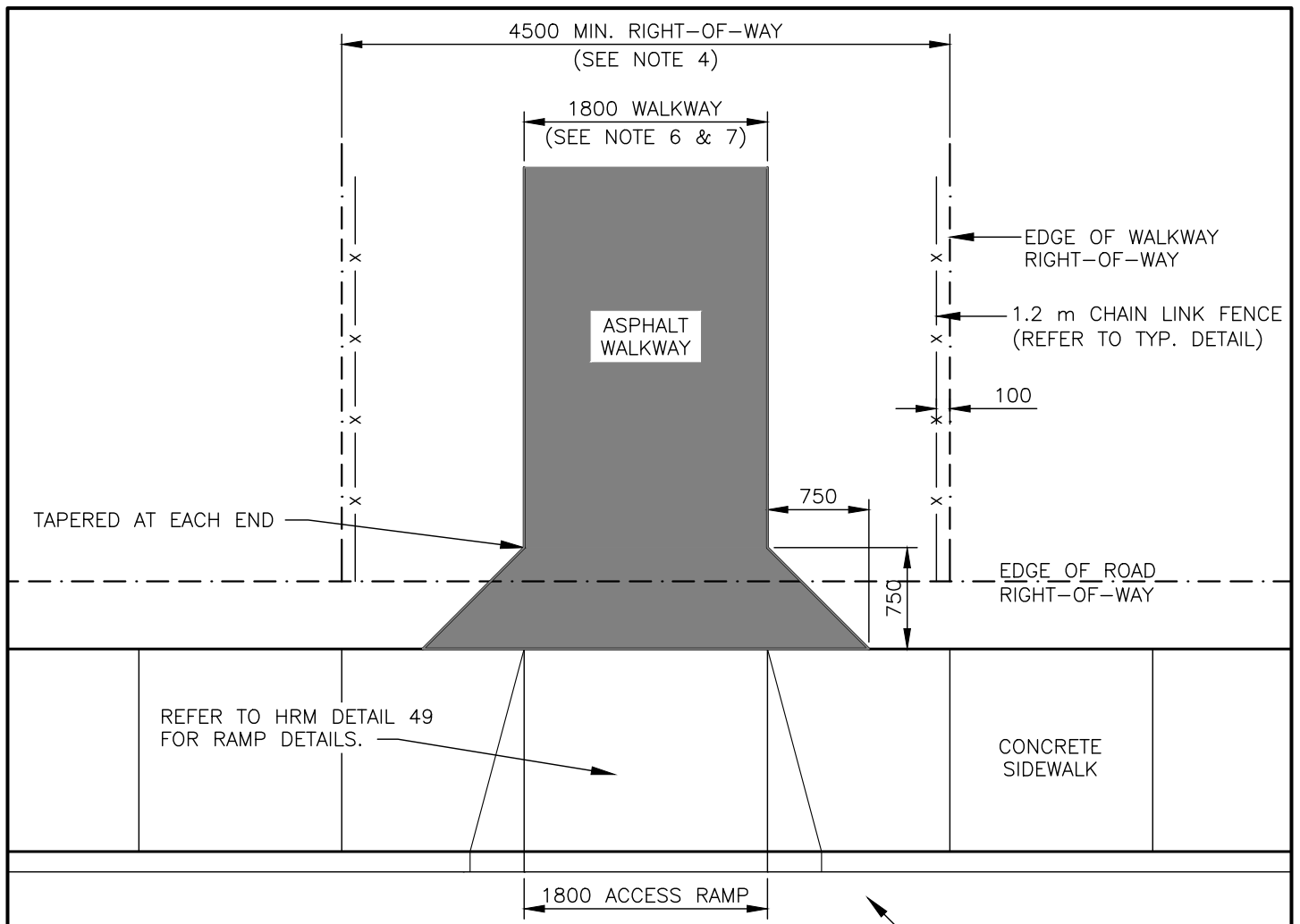
1. FOR USE IN AREAS WITHOUT CURB & GUTTER (RURAL LOCATIONS).
2. HRM TO SUPPLY AND INSTALL APPROPRIATE SIGNS.

**HALIFAX**

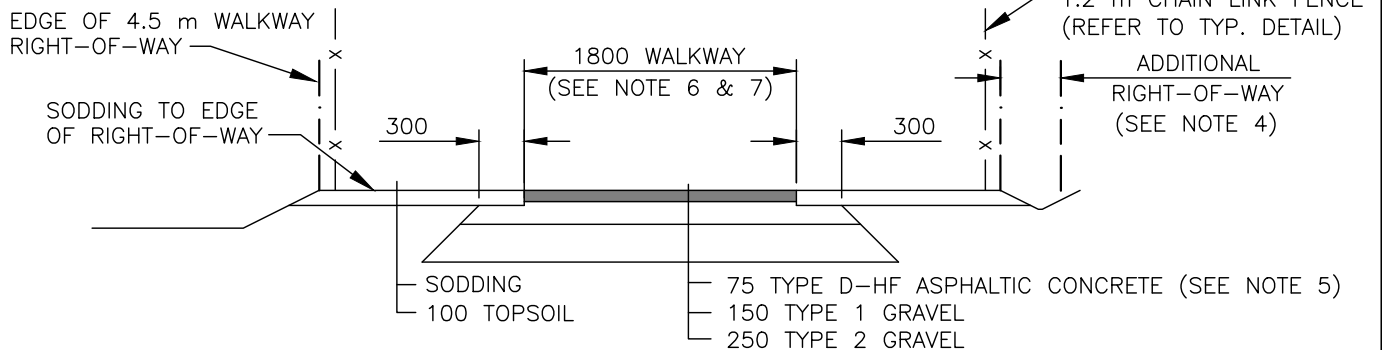
STANDARD DETAIL

**RURAL TRAFFIC  
SIGN POST**

DATE:	2021	REFERENCE	APPROVED
SCALE:	1:10		FIG No.: <b>HRM 39</b>



## PLAN



## PROFILE

### NOTES:

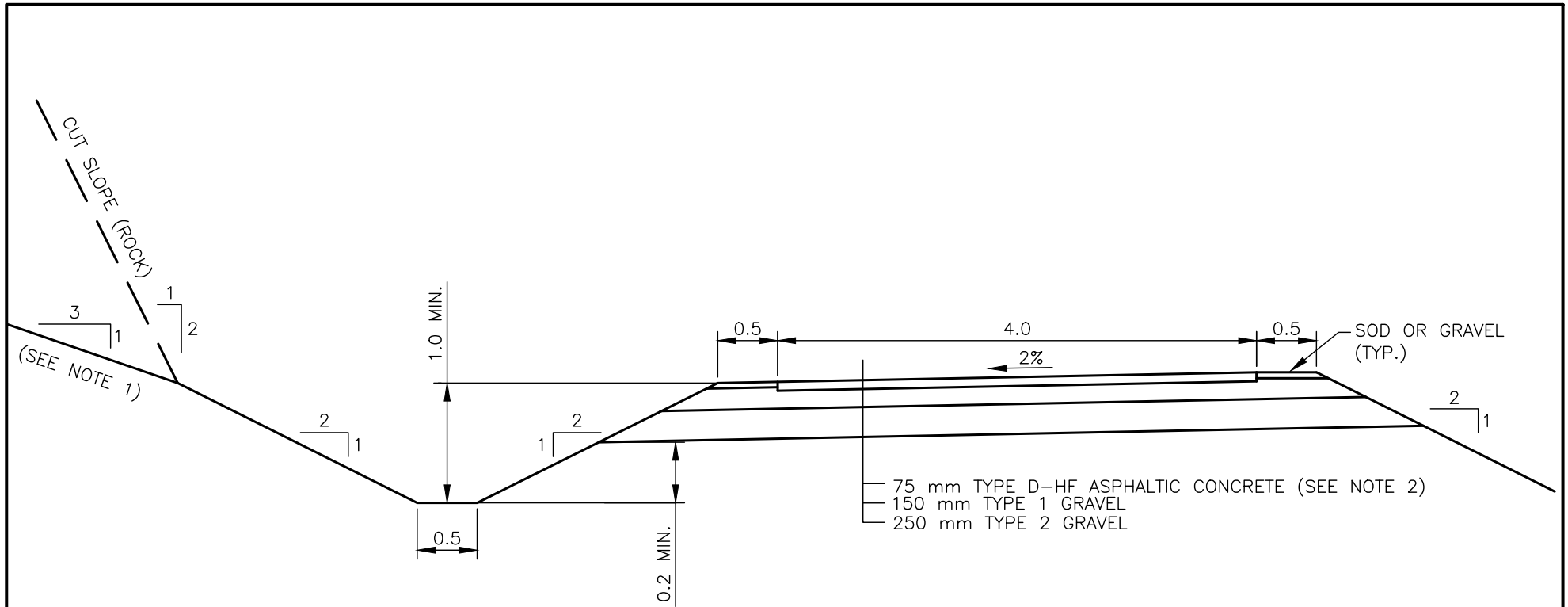
1. WALKWAY SHOULD HAVE MIN. CONSISTENT GRADE OF 2.0% WHERE POSSIBLE.
2. THE ENGINEER MAY REQUIRE OR PERMIT USE OF LOW MAINTENANCE MATERIALS IN PLACE OF SODDING.
3. WHERE MUNICIPAL SERVICE SYSTEMS ARE REQUIRED THE MIN. R.O.W. IS TO BE INCREASED TO 6.0 m. THE CHAIN LINK FENCE SHALL BE LOCATED 100 FROM THE EDGE OF THE INCREASED 6.0 m R.O.W..
4. TO ACCOMMODATE SWALE OR CUT/FILL SLOPES ADDITIONAL RIGHT-OF-WAY MAY BE REQUIRED.
5. SURFACE MATERIAL TO BE ASPHALTIC CONCRETE UNLESS DIRECTED BY THE ENGINEER.
6. GRADE AS DIRECTED BY THE ENGINEER.
7. TO BE PLACED WITH SPREADER.

# HALIFAX

## STANDARD DETAIL

## TYPICAL WALKWAY

DATE:	2021	REFERENCE	APPROVED
SCALE:	1:50		FIG No.: <b>HRM 40</b>



NOTES:

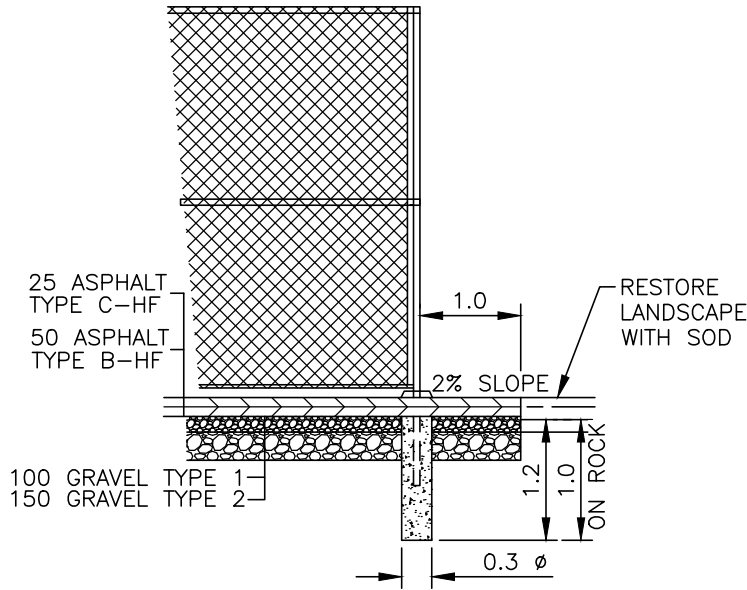
1. ADDITIONAL SLOPE STABILIZATION AS PER GEOTECHNICAL REPORT.
2. SURFACE MATERIAL TO BE ASPHALTIC CONCRETE UNLESS DIRECTED BY THE ENGINEER.
3. RAILING REQUIRED IN FILL GREATER THAN 1.5 m, OR ADJACENT TO WATER.
4. FALSE DITCH REQUIREMENTS SHALL MEET HALIFAX WATER SPECIFICATIONS.

**HALIFAX**

STANDARD DETAIL

ACTIVE TRANSPORTATION  
OFF ROAD TRAIL

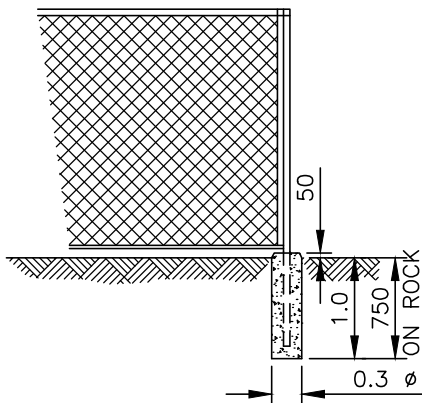
DATE:	2021	REFERENCE	APPROVED
SCALE:	1:50		FIG No.: <b>HRM 41</b>



**NOTES:**

1. 3.0 HIGH CHAIN LINK FENCE FABRIC 37 X 9 GAUGE STEEL GALVANIZED WIRE FENCE KNUCKLED TOP AND BOTTOM.
2. CORNER POSTS 87 O.D. GALVANIZED STEEL PIPE.
3. LINE POST 60 O.D. GALVANIZED STEEL PIPE.
4. RAILING TOP, BOTTOM AND CENTRE RAILS TO BE 42 O.D. GALVANIZED STEEL PIPE.
5. MAXIMUM SPACING OF POST TO BE 3.0.

**TYPE I COURT FENCE**



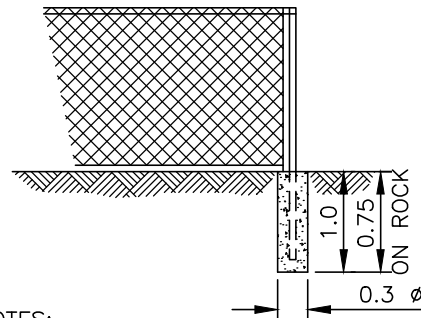
**NOTES:**

1. 1.8 m HIGH CHAIN LINK FENCE FABRIC 50 mm X 9 mm GAUGE STEEL GALVANIZED WIRE FENCE KNUCKLED ON TOP.
2. CORNER POSTS 87 mm O.D. GALVANIZED STEEL PIPE.
3. LINE POST 60 mm O.D. GALVANIZED STEEL PIPE.
4. RAILING 42 mm O.D. GALVANIZED STEEL PIPE.
5. GROUND WIRE 2 STRANDS 6 GAUGE GALVANIZED STEEL WIRE.
6. MAXIMUM SPACING OF POSTS TO BE 2.4.
7. PLACE FABRIC ON SIDE OF FENCE WITH MOST PEDESTRIAN TRAFFIC, UNLESS OTHERWISE NOTED.

**TYPE II BOUNDARY FENCE**

**GENERAL NOTES:**

1. FOR ALL FENCE TYPES STEEL PIPE TO BE "STANDARD WEIGHT" (SCHEDULE 40) UNLESS OTHERWISE NOTED.
2. ALL CONCRETE TO BE 30 MPa COMPRESSIVE STRENGTH, MAXIMUM AGGREGATE SIZE OF 20 AND 5% TO 8% AIR CONTENT.
3. CONCRETE BASE TO BE FORMED WITH SONOTUBE OR EQUIVALENT.
4. NO TOP RAIL BESIDE OR ON ROAD.



**NOTES:**

1. 1.0 AND 1.2 HIGH CHAIN LINK FENCE FABRIC 50 X 9 GAUGE STEEL GALVANIZED WIRE FENCE KNUCKLED ON TOP.
2. CORNER POSTS 87 O.D. GALVANIZED STEEL PIPE.
3. LINE POSTS 60 O.D. GALVANIZED STEEL PIPE.
4. RAILING 42 O.D. GALVANIZED STEEL PIPE.
5. GROUND WIRE 2 STRANDS 6 GAUGE GALVANIZED STEEL WIRE.
6. MAXIMUM SPACING OF POSTS TO BE 2.4.

**TYPE III SAFETY FENCE**

**NOTES:**

- FOR 3.7 HIGH CHAIN LINK FENCE TYPE IV
1. CORNER & GATE POSTS 100 O.D. GALVANIZED STEEL PIPE.
  2. LINE POSTS 60 O.D. GALVANIZED STEEL PIPE.
  3. ALL OTHER FEATURES AS PER 3.0 HIGH CHAIN LINK FENCE.

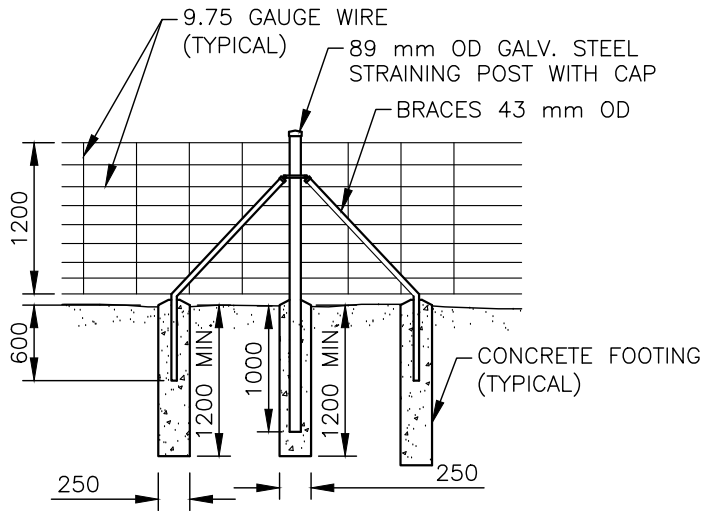
**TYPE IV COURT FENCE**

**HALIFAX**

**STANDARD DETAIL**

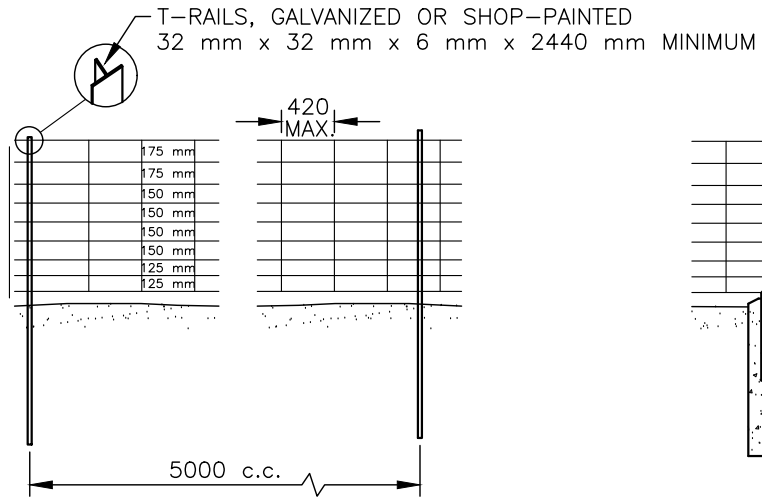
**CHAIN LINK FENCE**

DATE:	2021	REFERENCE	APPROVED
SCALE:	1:75		FIG No.: <b>HRM 42</b>



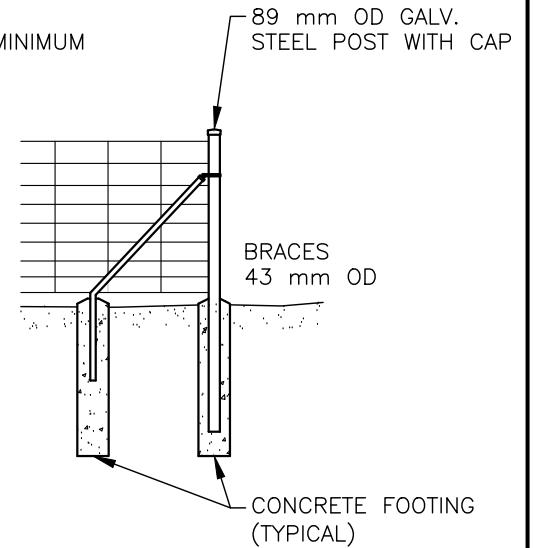
**STRAINING POST**  
**EVERY 150 m**

SCALE: 1:60



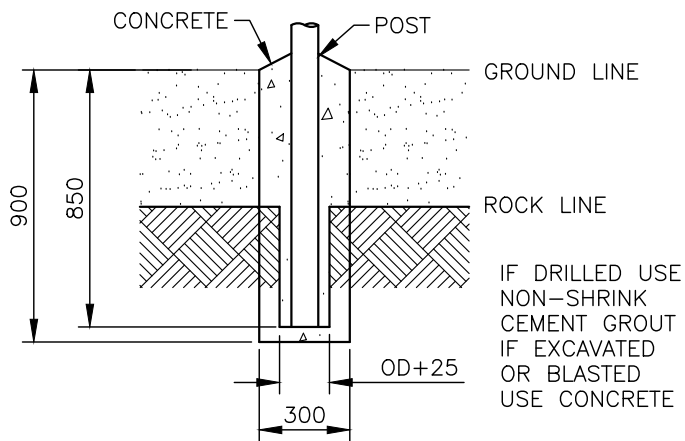
**T-RAIL**  
**LINE POSTS**

SCALE: 1:60



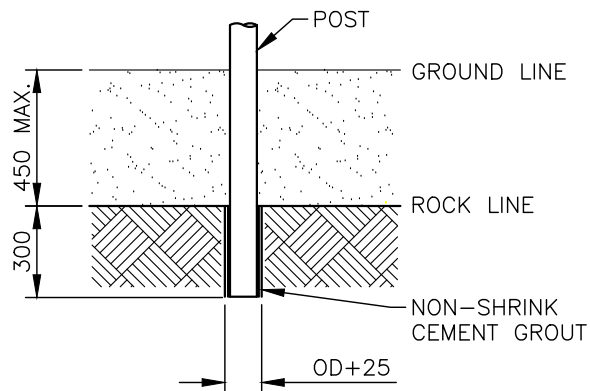
**END OR CORNER POST**  
**AND BRACE**

SCALE: 1:60



IN SHALE OR FRIABLE ROCK, AND IN SOLID ROCK WITH MORE THAN 450 mm OVERBURDEN

SCALE: 1:25



IN SOLID ROCK WITH OVERBURDEN LESS THAN 450 mm

SCALE: 1:25

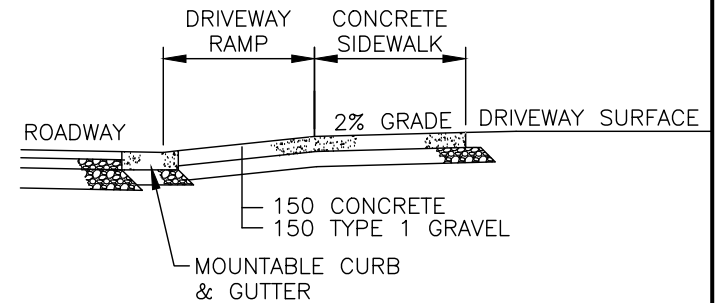
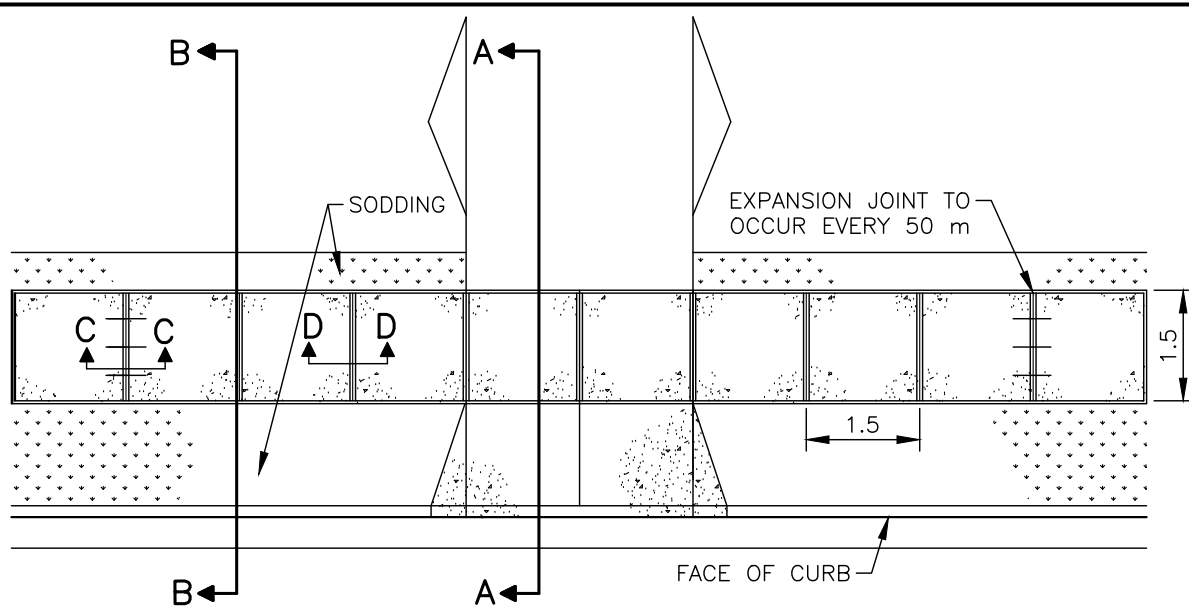
**HALIFAX**

STANDARD DETAIL

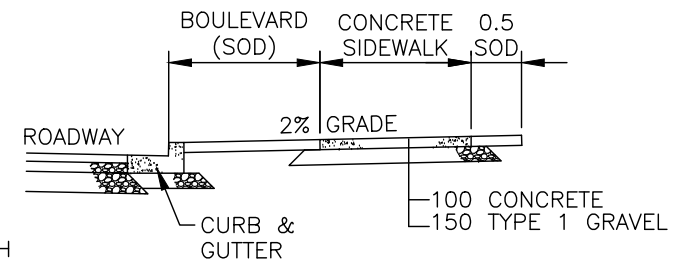
PAGE WIRE FENCE

DATE:	2021	REFERENCE	APPROVED
SCALE:	AS NOTED	FIG No.:	HRM 43

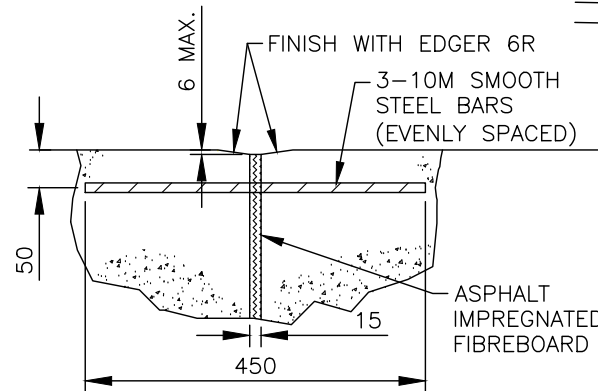




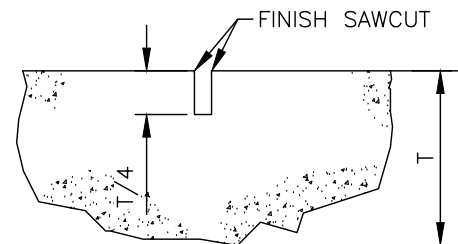
**SECTION A-A**  
(DRIVEWAY CROSS-SECTION)



**SECTION B-B**  
(SIDEWALK CROSS-SECTION)



**SECTION C-C**  
(EXPANSION JOINT)



**SECTION D-D**  
(CONTROL JOINT)

**NOTES:**

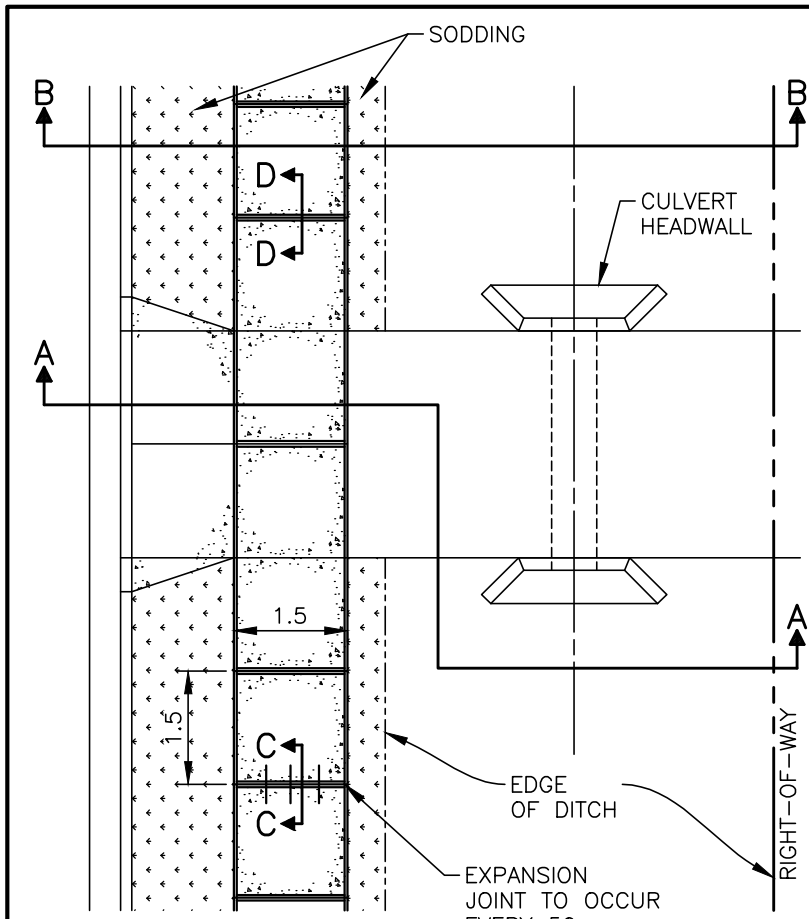
1. CONCRETE SIDEWALK AT COMMERCIAL DRIVEWAY TO BE 150 THICK WITH 150x150 WELDED WIRE MESH.
2. CRUSHED ROCK BASE TO EXTEND 150 BEYOND EDGE OF SIDEWALK STRUCTURE.
3. CONTROL JOINTS ARE TO BE SAW CUT.
4. SIDEWALK ABUTTING HIGH DENSITY AREAS SHALL HAVE FULL WIDTH (3 m) SIDEWALKS.
5. SIDEWALKS ABUTTING COMMERCIAL AREAS ARE TO BE FULL WIDTH (3 m) AND 150 mm THICKNESS.
6. EXPANSION JOINT BARS ARE TO BE GREASED ON ONE SIDE OF THE JOINT.
7. DURING CONSECUTIVE POURS, THE END OF EACH POUR IS TO OCCUR AT AN EXPANSION JOINT. WHERE THIS IS NOT FEASIBLE, AN ADDITIONAL EXPANSION JOINT IS TO BE INSTALLED.
8. INSTALL A 9 m LONG CONCRETE LANDING PAD AT ALL BUS STOP LOCATIONS. INCREASE THIS TO 14.5 m FOR ARTICULATED BUS ROUTES.
9. WHEN BOULEVARD IS LESS THAN 1.5 m OR WHEN THE SIDEWALK ABUTS THE CURB & GUTTER, REFER TO HRM 133.

**HALIFAX**

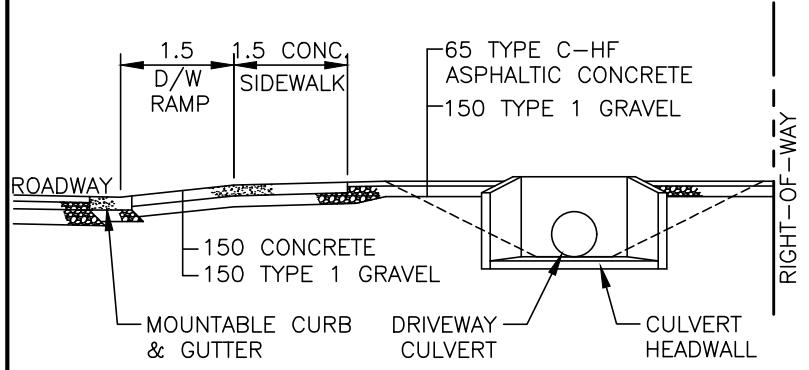
STANDARD DETAIL

URBAN SIDEWALK

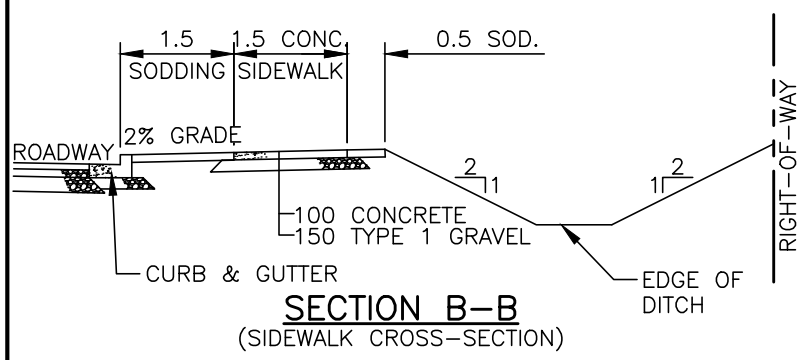
DATE: 2021	REFERENCE	APPROVED
SCALE: NTS		FIG No.: HRM 44



**PLAN**



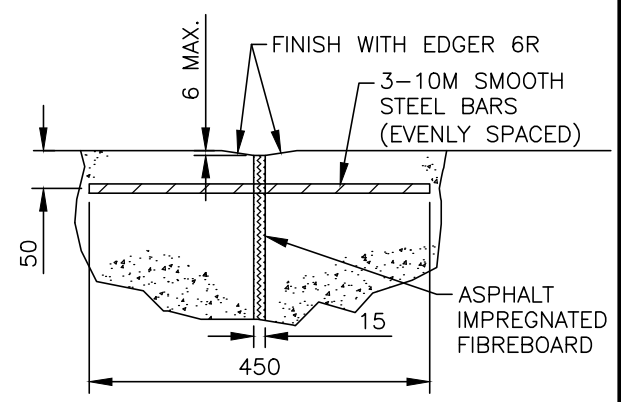
**SECTION A-A  
(DRIVEWAY CROSS-SECTION)**



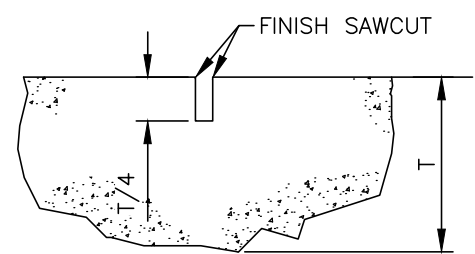
**SECTION B-B  
(SIDEWALK CROSS-SECTION)**

**NOTES:**

1. CONCRETE SIDEWALK AT COMMERCIAL DRIVEWAY TO BE 150 THICK WITH 150 x 150 WELDED WIRE MESH.
2. CRUSHED ROCK BASE TO EXTEND 150 BEYOND EDGE OF SIDEWALK STRUCTURE.
3. CONTROL JOINTS ARE TO BE SAW CUT.
4. SIDEWALKS ABUTTING COMMERCIAL AREAS ARE TO BE FULL WIDTH (3 m) AND 150 mm THICKNESS.
5. EXPANSION JOINT BARS ARE TO BE GREASED ON ONE SIDE OF THE JOINT.
6. DURING CONSECUTIVE POURS, THE END OF EACH POUR IS TO OCCUR AT AN EXPANSION JOINT. WHERE THIS IS NOT FEASIBLE, AND ADDITIONAL EXPANSION JOINT IS TO BE INSTALLED.
7. INSTALL A 9 m LONG CONCRETE LANDING PAD AT ALL BUS STOP LOCATIONS. INCREASE THIS TO 14.5 m FOR ARTICULATED BUS ROUTES.
8. WHEN BOULEVARD IS LESS THAN 1.5 m OR WHEN THE SIDEWALK ABUTS THE CURB & GUTTER, SLOPE SIDEWALK AND DRIVEWAY RAMP IN A STRAIGHT LINE GRADE FROM BACK OF SIDEWALK TO LIP ON CURB OPENING.



**SECTION C-C  
(EXPANSION JOINT)**



**SECTION D-D  
(CONTROL JOINT)**

# HALIFAX

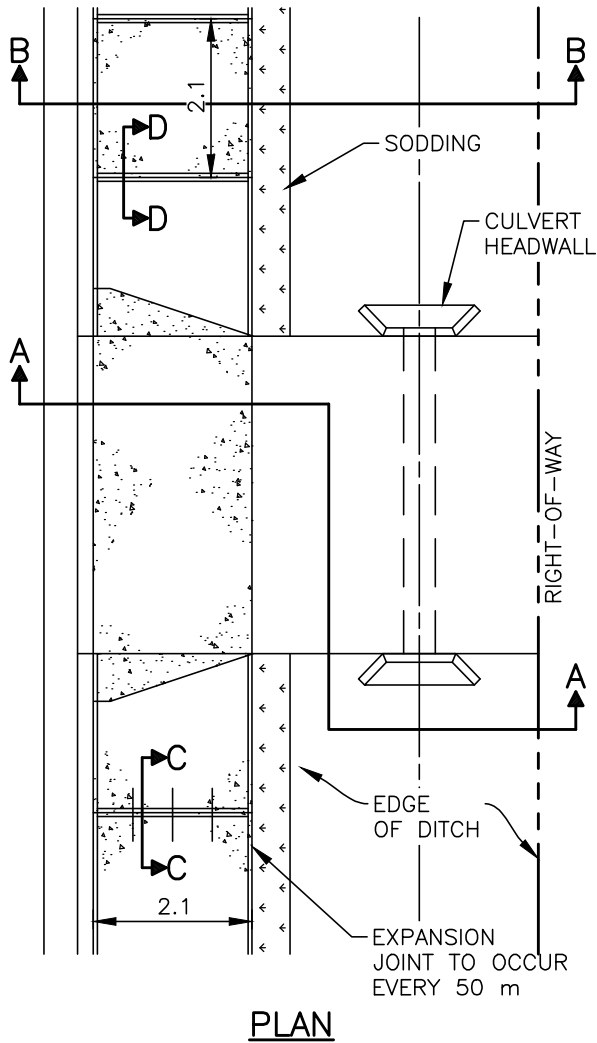
STANDARD DETAIL

## RURAL TYPE I SIDEWALK

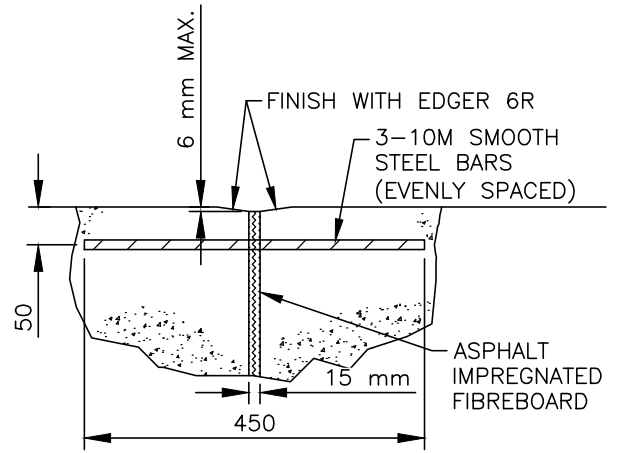
DATE: 2021	REFERENCE	APPROVED
SCALE: NTS		FIG No.: HRM 45

**NOTES:**

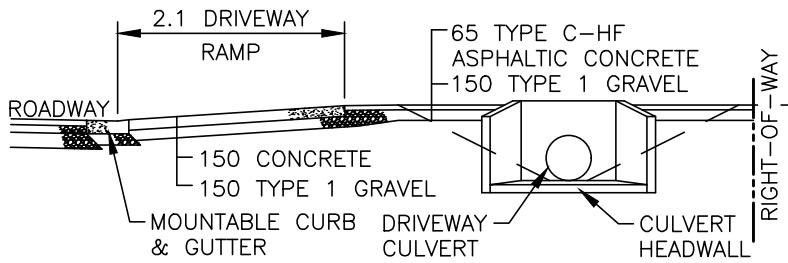
1. CONCRETE SIDEWALK AT COMMERCIAL DRIVEWAY TO BE 150 THICK WITH 150x150 WELDED WIRE MESH.
2. CRUSHED ROCK BASE TO EXTEND 150 BEYOND EDGE OF SIDEWALK STRUCTURE.
3. CONTROL JOINTS ARE TO BE SAW CUT.
4. SIDEWALKS ABUTTING COMMERCIAL AREAS ARE TO BE FULL WIDTH (3 m) AND 150 mm THICKNESS.
5. EXPANSION JOINT BARS ARE TO BE GREASED ON ONE SIDE OF THE JOINT.
6. DURING CONSECUTIVE POURS, THE END OF EACH POUR IS TO OCCUR AT AN EXPANSION JOINT. WHERE THIS IS NOT FEASIBLE, AN ADDITIONAL EXPANSION JOINT IS TO BE INSTALLED.
7. INSTALL A 9 m LONG CONCRETE LANDING PAD AT ALL BUS STOP LOCATIONS. INCREASE THIS TO 14.5 m FOR ARTICULATED BUS ROUTES.
8. WHEN BOULEVARD IS LESS THAN 1.5 m OR WHEN THE SIDEWALK ABUTS THE CURB & GUTTER, REFER TO HRM 133.



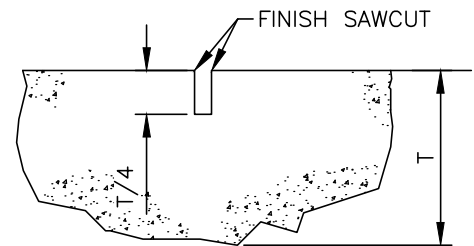
**PLAN**



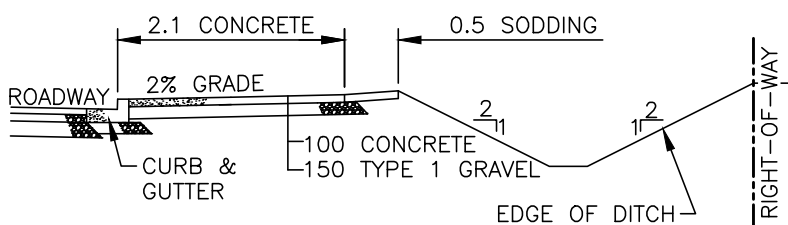
**SECTION C-C  
(EXPANSION JOINT)**



**SECTION A-A  
(DRIVEWAY CROSS-SECTION)**



**SECTION D-D  
(CONTROL JOINT)**



**SECTION B-B  
(DRIVEWAY CROSS-SECTION)**

**HALIFAX**

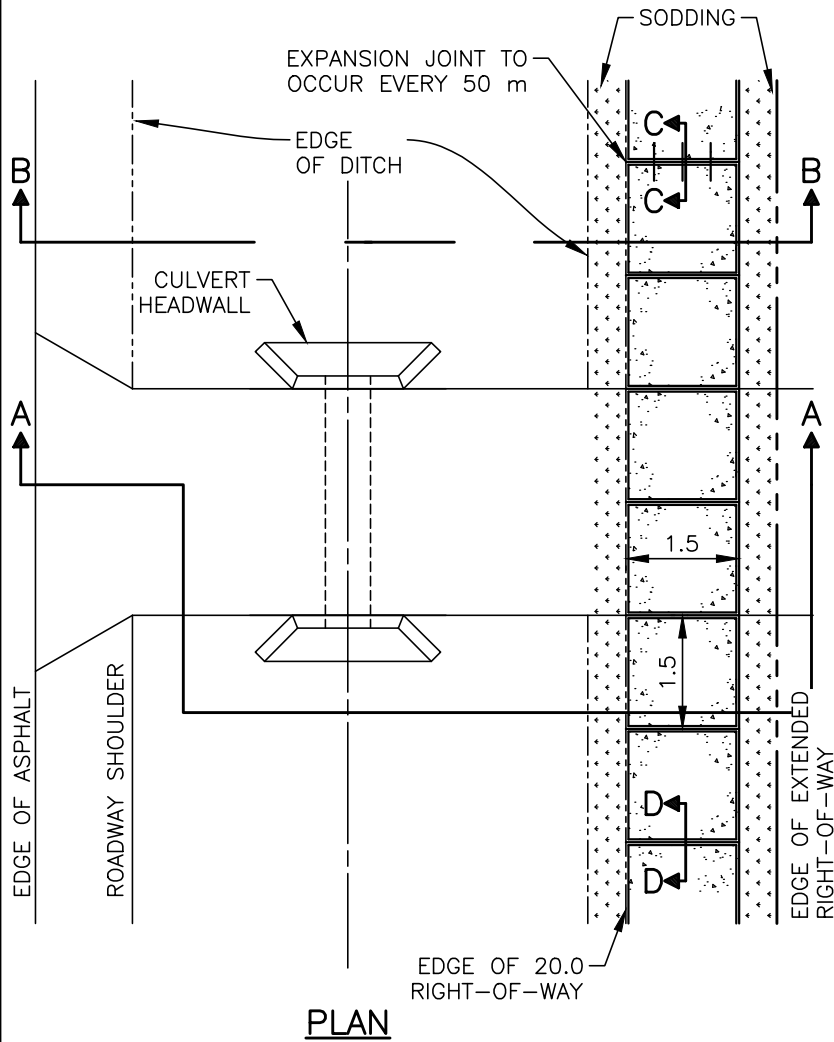
STANDARD DETAIL

**RURAL TYPE II  
SIDEWALK**

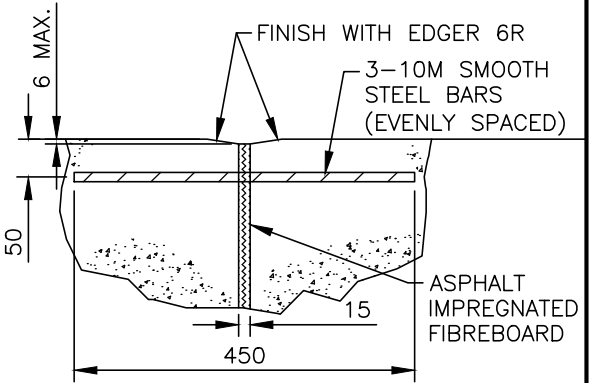
DATE:	2021	REFERENCE	APPROVED
SCALE:	NTS	FIG No.:	HRM 46

**NOTES:**

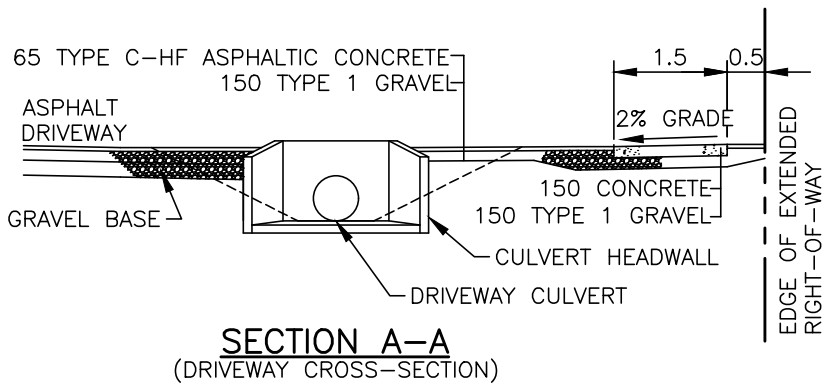
1. CONCRETE SIDEWALK AT COMMERCIAL DRIVEWAY TO BE 150 THICK WITH 150 x 150 WELDED WIRE MESH.
2. CRUSHED ROCK BASE TO EXTEND 150 BEYOND EDGE OF SIDEWALK STRUCTURE.
3. CONTROL JOINTS ARE TO BE SAW CUT.
4. SIDEWALKS ABUTTING COMMERCIAL AREAS ARE TO BE FULL WIDTH (3 m) AND 150 mm THICKNESS.
5. EXPANSION JOINT BARS ARE TO BE GREASED ON ONE SIDE OF THE JOINT. DURING CONSECUTIVE POURS, THE END OF EACH POUR IS TO OCCUR AT AN EXPANSION JOINT. WHERE THIS IS NOT FEASIBLE, AND ADDITIONAL EXPANSION JOINT IS TO BE INSTALLED.
6. INSTALL A 9 m LONG CONCRETE LANDING PAD AT ALL BUS STOP LOCATIONS. INCREASE THIS TO 14.5 m FOR ARTICULATED BUS ROUTES.



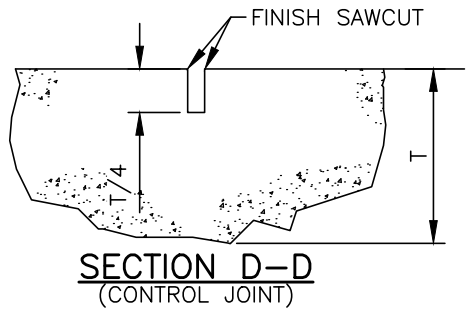
**PLAN**



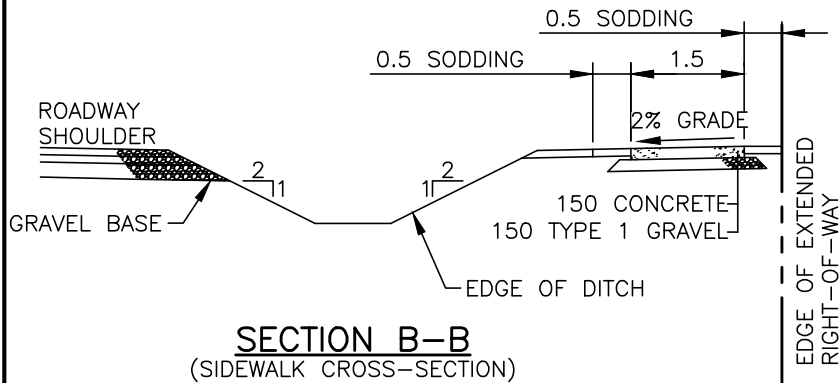
**SECTION C-C  
(EXPANSION JOINT)**



**SECTION A-A  
(DRIVEWAY CROSS-SECTION)**



**SECTION D-D  
(CONTROL JOINT)**



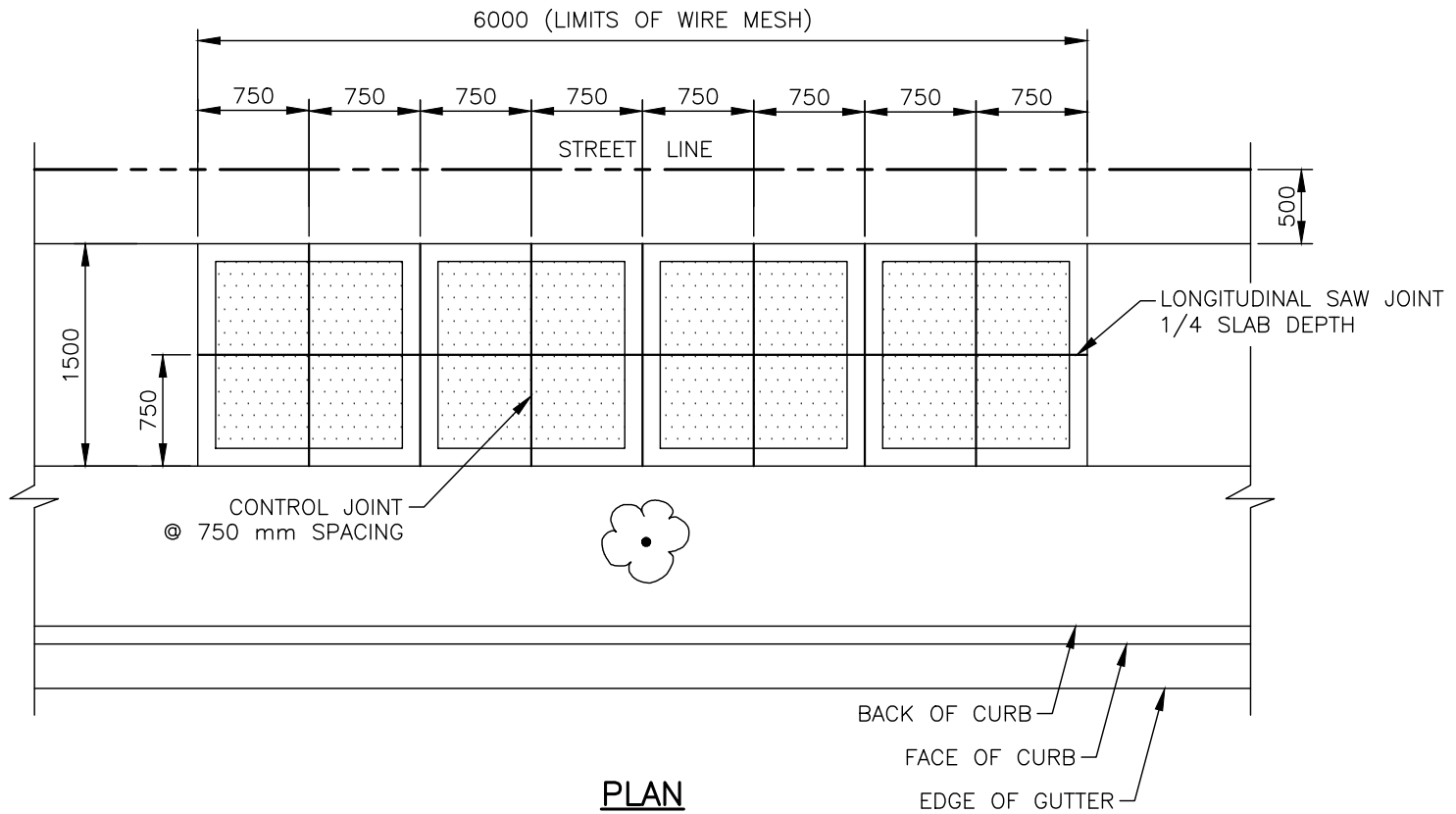
**SECTION B-B  
(SIDEWALK CROSS-SECTION)**

**HALIFAX**

STANDARD DETAIL

RURAL TYPE III SIDEWALK

DATE:	2021	REFERENCE	APPROVED
SCALE:	NTS		FIG No.: HRM 47



NOTES:

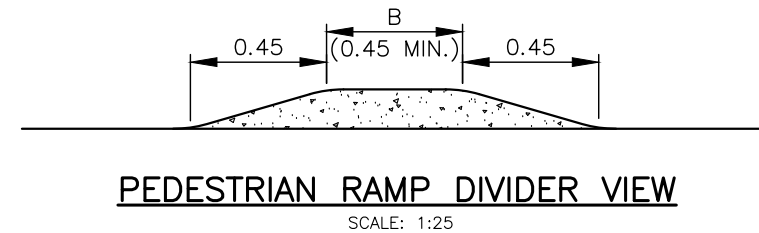
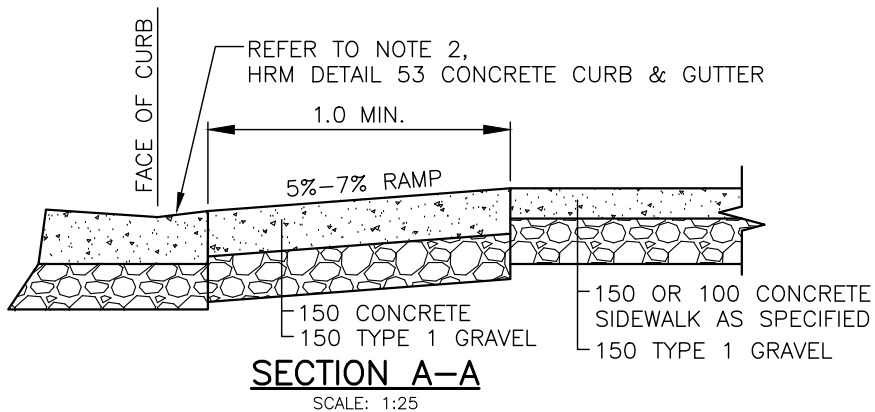
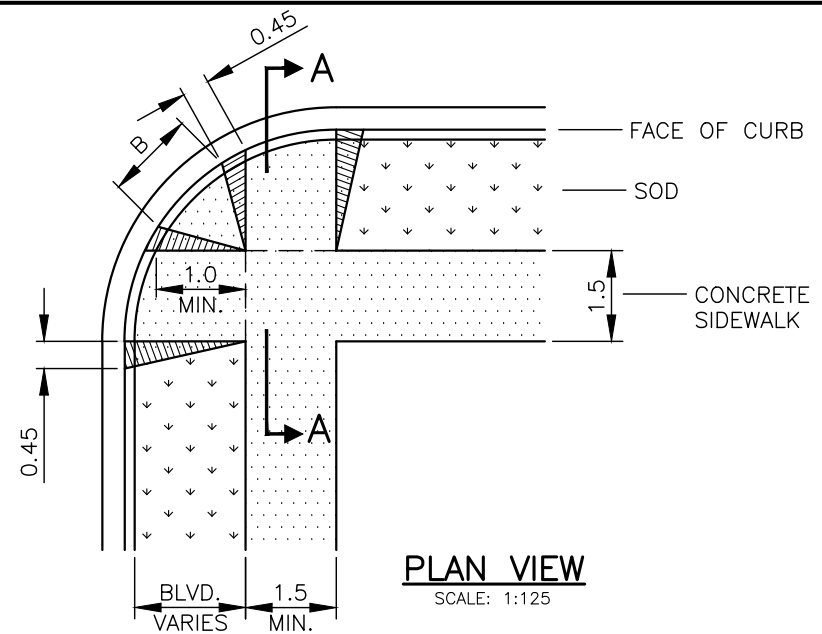
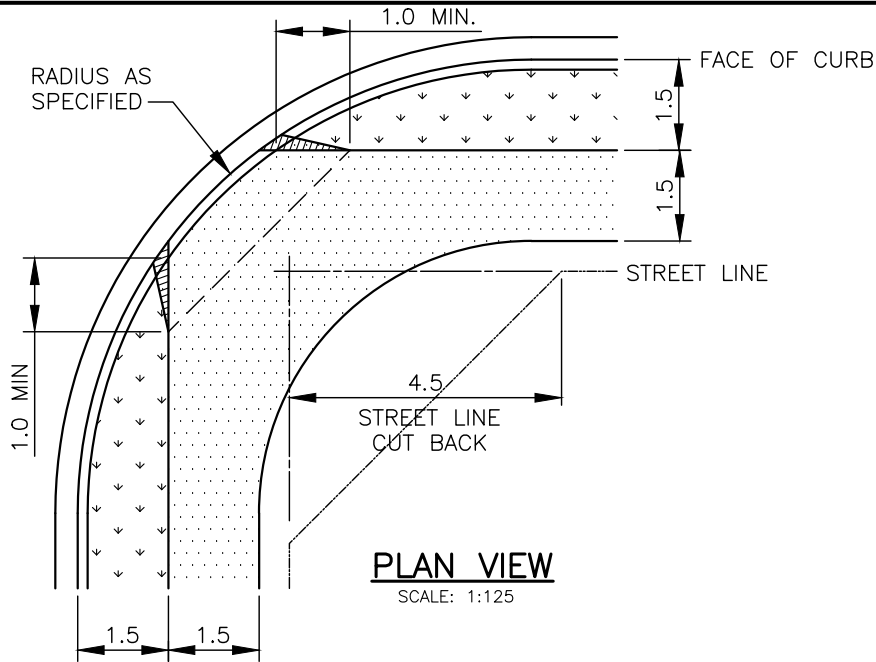
1. 150 x 150 – M.W. 18.7 x M.W. 18.7 (WELDED WIRE FABRIC)  
PLACED AT 1/2 THE SLAB DEPTH.
2. NO TREE ROOTS TO BE REMOVED WITHOUT HRM APPROVAL.

**HALIFAX**

STANDARD DETAIL

**CONCRETE SIDEWALK  
REINFORCING**

DATE:	2021	REFERENCE	APPROVED
SCALE:	1:50		FIG No.: <b>HRM 48</b>



**NOTES:**

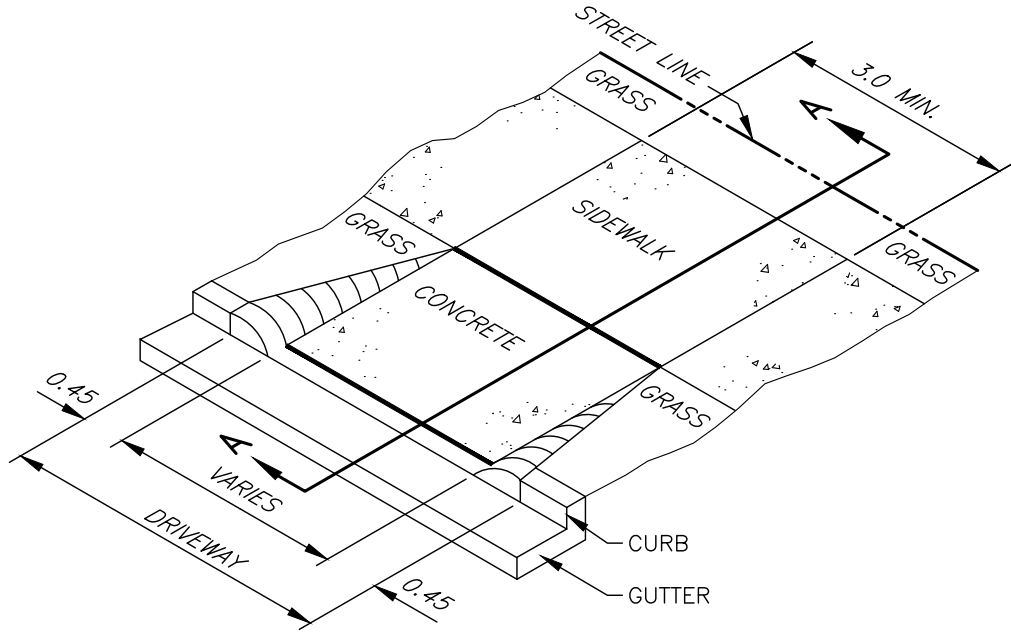
1. PEDESTRIAN RAMPS SHALL BE ALIGNED WITH THE SIDEWALK INSIDE EDGE.
2. INSTALL RAMP DIVIDER ONLY WHEN (B) WILL BE GREATER THAN 450mm.
3. WHERE THE SIDEWALK ABUTS THE CURB A 1.3m TRANSITION TAPER IS REQUIRED
4. IF THE DISTANCE FROM BACK OF CURB TO BACK OF SIDEWALK IS LESS THAN 2m, SLOPE AT 5% FROM BACK OF CURB TO BACK OF SIDEWALK.
5. TACTILE WALKING SURFACE INDICATOR PLATES REQUIRED AT ALL NEW RAMPS AS PER HRM DETAIL 131.
6. FOR STREETS OF LESS THAN 8%, TRANSITION CURB AND SIDEWALK TO MAXIMUM GRADE OF 8%, OR TIE IN AT 3m. FOR SIDEWALK, 1.3m FOR CURB.
7. PEDESTRIAN RAMP OPENING TO BE 1.7m MINIMUM, MEASURED FROM 100mm BEYOND THE EXTENSION OF THE SIDEWALK TO THE CURB.

**HALIFAX**

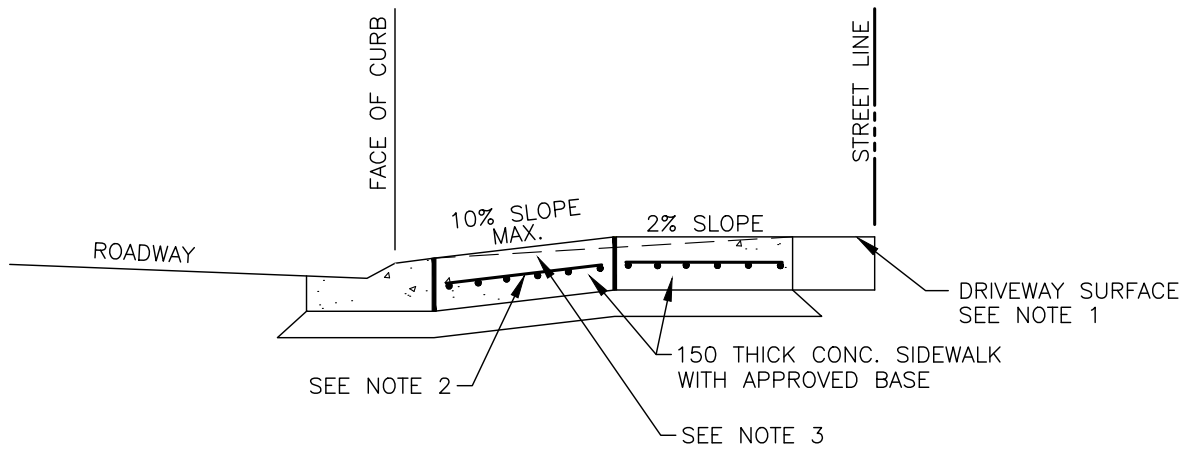
STANDARD DETAIL

PEDESTRIAN RAMP  
ALIGNMENT

DATE: 2021	REFERENCE	APPROVED
SCALE: AS NOTED		FIG No.: HRM 49



VIEW PLAN

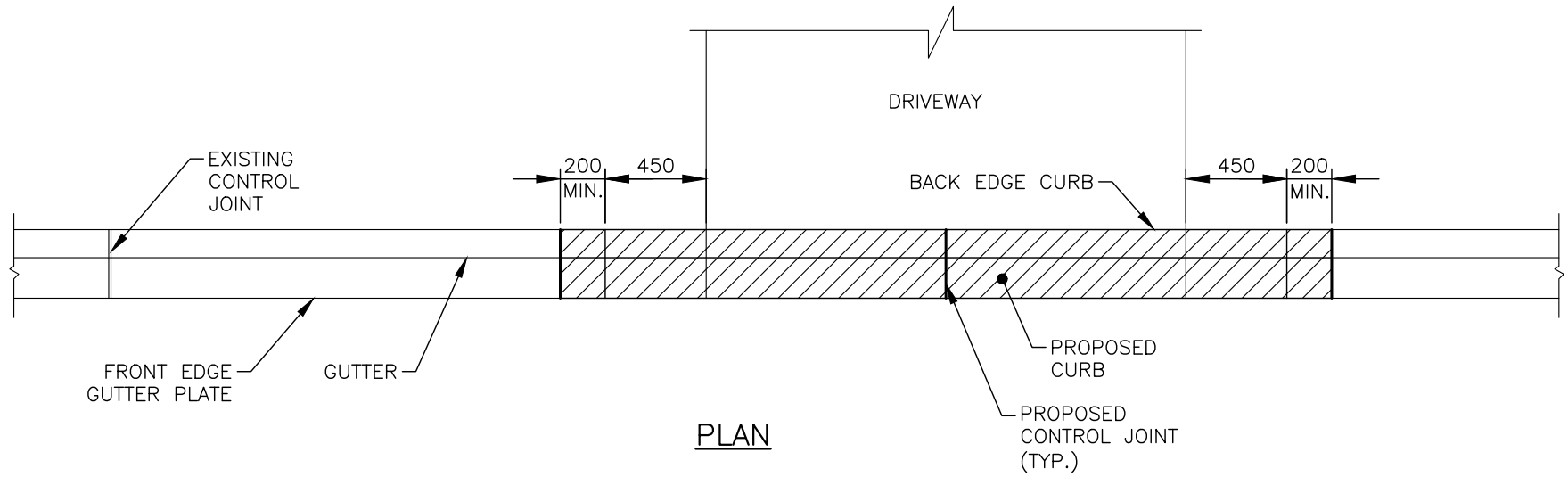


SECTION A-A

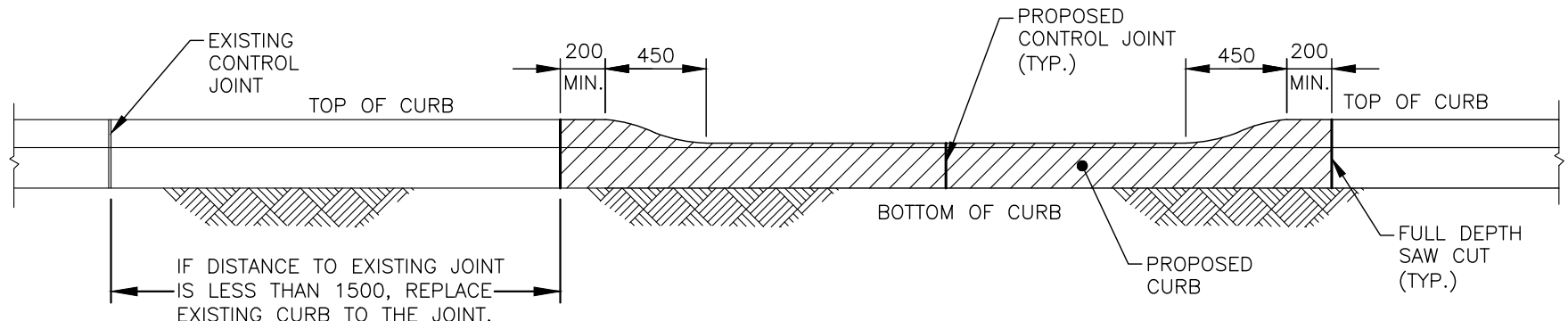
NOTES:

1. GRAVEL DRIVEWAYS ARE TO BE PAVED TO THE STREETLINE, IF NO SIDEWALK OR CURB EXISTS, 1 m ASPHALT PAVING IS REQUIRED.
2. FOR COMMERCIAL AND INDUSTRIAL DRIVEWAYS PLACE 150 x 150 – M.W. 18.7 x M.W. 18.7 PLACED 50 mm FROM BOTTOM OF CONCRETE RAMP AND SIDEWALK.
3. WHEN BOULEVARD IS LESS THAN 1.5 m OR WHEN THE SIDEWALK ABUTS THE CURB & GUTTER, REFER TO HRM 133.
4. MINIMUM DISTANCE BETWEEN CONTROL JOINTS IS 1200. PROVIDE CONTROL JOINTS WITHIN 150 OF CHANGE IN CROSS SECTION OF CURB.
5. DIMENSIONS ARE IN METRES.

HALIFAX		
STANDARD DETAIL		
DRIVEWAY RAMP		
DATE:	REFERENCE	APPROVED
2021		
SCALE:		FIG No.:
NTS		HRM 50



PLAN



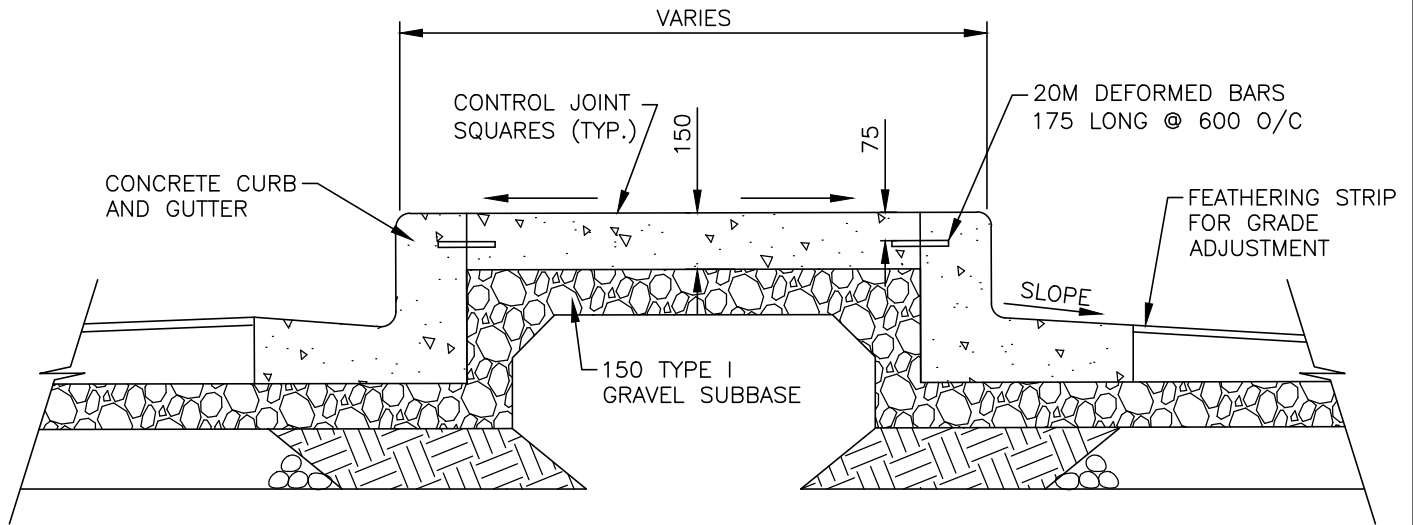
ELEVATION

NOTE:

1. MINIMUM DISTANCE BETWEEN CONTROL JOINTS IS 1200.
2. PROVIDE CONTROL JOINTS WITHIN 150 OF CHANGE IN CROSS SECTION OF CURB.

HALIFAX		
STANDARD DETAIL		
DRIVEWAY ACCESS IN EXISTING FULL-DEPTH CURB		
DATE:	REFERENCE	APPROVED
2021		
SCALE:		FIG No.:
1:30		HRM 51





**TYPICAL CONCRETE ISLAND CROSS SECTION**

**NOTES:**

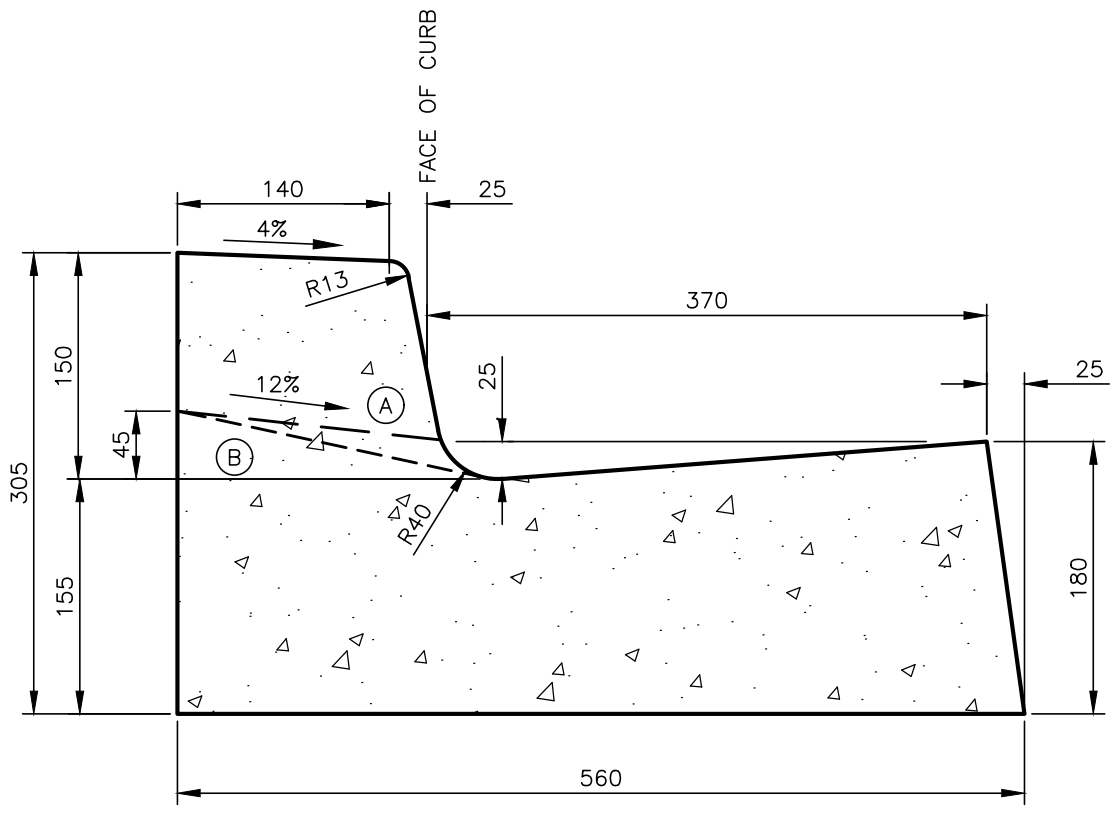
1. MAXIMUM SPACING FOR CONTROL JOINTS IS TO BE 2.5 m.
2. SLOPE SLAB TO FACILITATE DRAINAGE.
3. SLOPE GUTTER TO MATCH STREET CROSS SECTION.
4. ENDS AND CORNERS OF TRAFFIC ISLANDS TO HAVE HIGH BACK CONCRETE CURB AND GUTTER.
5. GEOMETRIC DESIGN OF CONCRETE ISLANDS TO BE AS PER PART A AND/OR THE TAC GEOMETRIC DESIGN GUIDE.

**HALIFAX**

STANDARD DETAIL

**CONCRETE  
TRAFFIC ISLAND**

DATE:	2021	REFERENCE	APPROVED
SCALE:	1:20		FIG No.: <b>HRM 52</b>



**CURB & GUTTER SECTION**

NOTES:

1. DASHED LINE "A" INDICATES CURB AT DRIVEWAYS.
2. DASHED LINE "B" INDICATES CURB AT PEDESTRIAN RAMPS.
3. TRANSITION TAPERS SHALL BE PROVIDED AT DRIVEWAYS AND PEDESTRIAN RAMPS AS PER THE "PEDESTRIAN RAMP ALIGNMENT" DETAIL AND "DRIVEWAY RAMP" DETAIL.

<h1>HALIFAX</h1>		
<b>STANDARD DETAIL</b>		
<b>CONCRETE CURB &amp; GUTTER</b>		
DATE:	REFERENCE	APPROVED
2021		
SCALE:		FIG No.:
1:5		<b>HRM 53</b>

2 mm x 50 mm REINSTATEMENT TAPE (m)  
(REQUIRED IF STREET IS  
NOT BEING RESURFACED)

CURB & GUTTER PAYMENT INCLUDES  
150 mm TYPE 1 GRANULAR BASE

TYPE C-HF ASPHALTIC CONCRETE

600

TYPICAL PAVEMENT WIDTH FOR  
ASPHALT AND GRAVELS FOR  
CURB RENEWAL SITUATIONS

TYPE B-HF ASPHALTIC CONCRETE

150

TYPE 1 GRAVEL (m<sup>2</sup>)

TYPE 2 GRAVEL (m<sup>2</sup>)

TYPE 2 GRAVEL (m<sup>2</sup>)

NOTES:

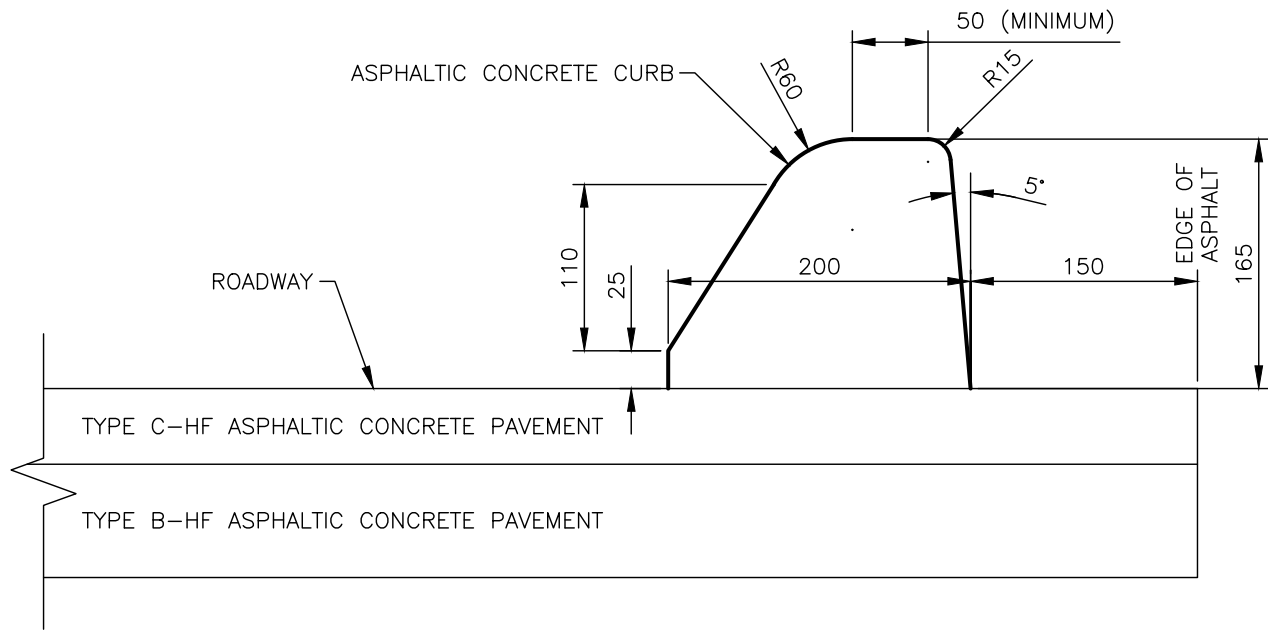
1. CURB AND GUTTER PAYMENT INCLUDES A GRANULAR BASE OF 150 mm OF TYPE 1 GRAVEL, OR AS INDICATED ON DRAWINGS.
2. ASPHALT AND GRAVEL THICKNESS AS INDICATED ON DRAWING.

**HALIFAX**

STANDARD DETAIL

**CURB RENEWAL/PAYMENT**

DATE:	2021	REFERENCE	APPROVED
SCALE:	1:10		FIG No.: <b>HRM 54</b>

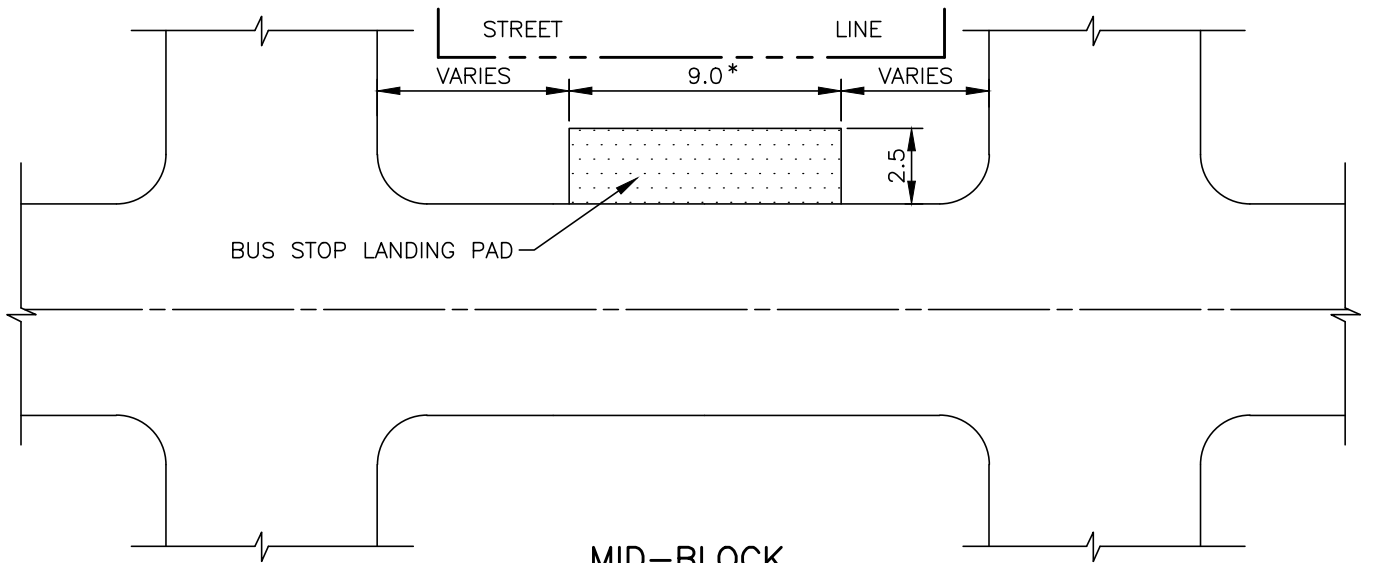


# HALIFAX

STANDARD DETAIL

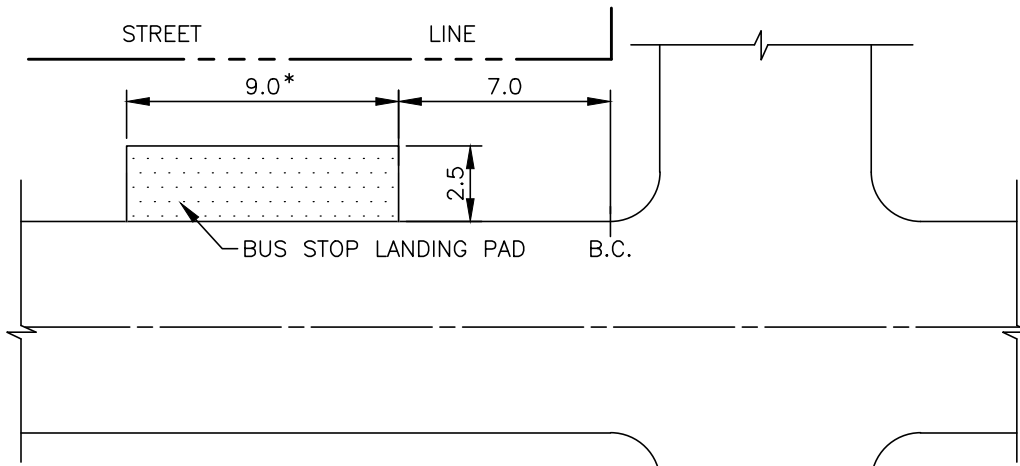
ASPHALT CURB

DATE:	2021	REFERENCE	APPROVED
SCALE:	1:5	FIG No.:	HRM 55



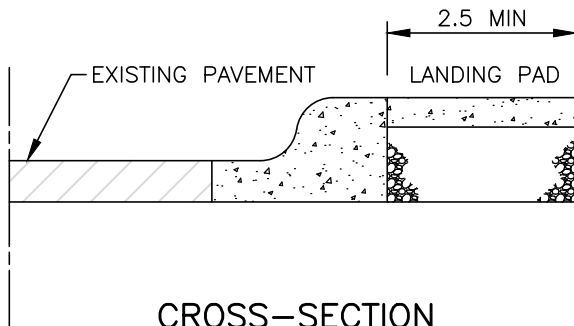
**MID-BLOCK  
PLAN**

SCALE: 1:250



**FAR-SIDE  
PLAN**

SCALE: 1:250



**CROSS-SECTION**

SCALE: 1:100

**NOTES:**

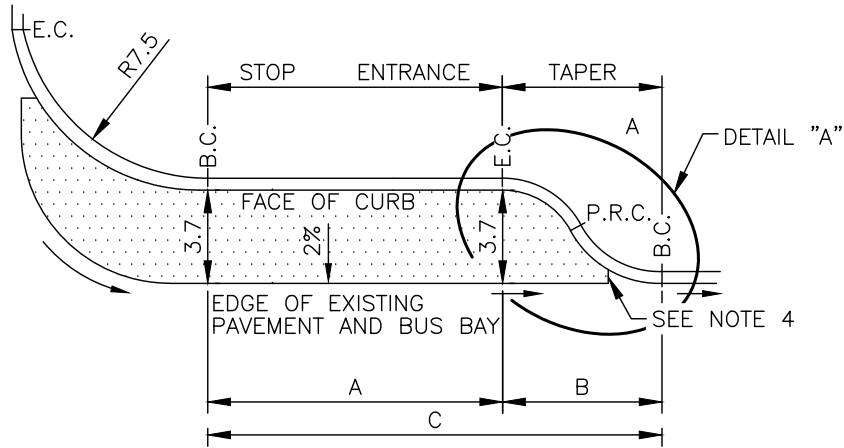
1. \* FOR ARTICULATED BUS ROUTES INCREASE TO 14.5 m.
2. THE 2.5 m LANDING PAD MAY INCLUDE PORTION OF SIDEWALK.

**HALIFAX**

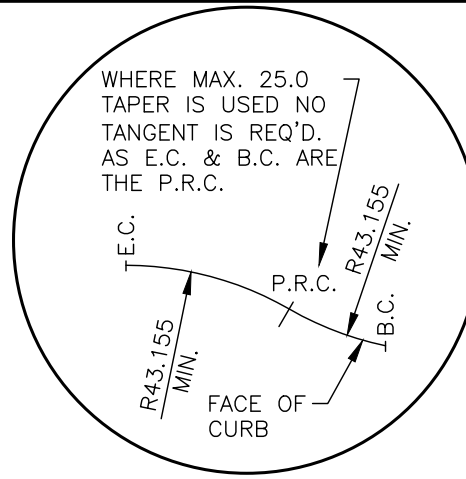
STANDARD DETAIL

**CONCRETE BUS STOP  
LANDING PAD**

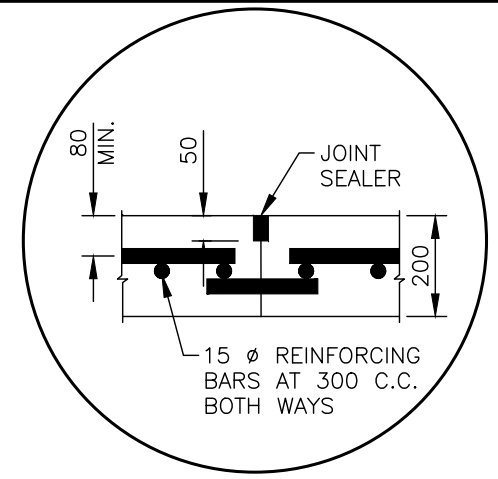
DATE: 2021	REFERENCE	APPROVED
SCALE: AS NOTED		FIG No.: HRM 56



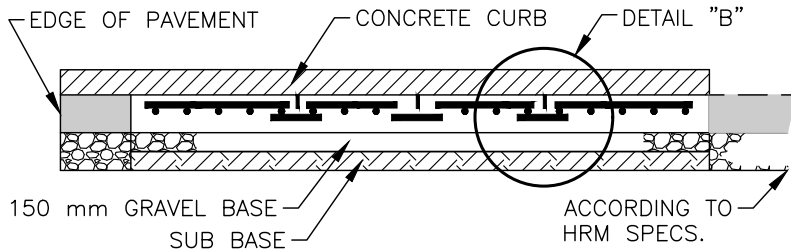
**PLAN**



**DETAIL "A"**

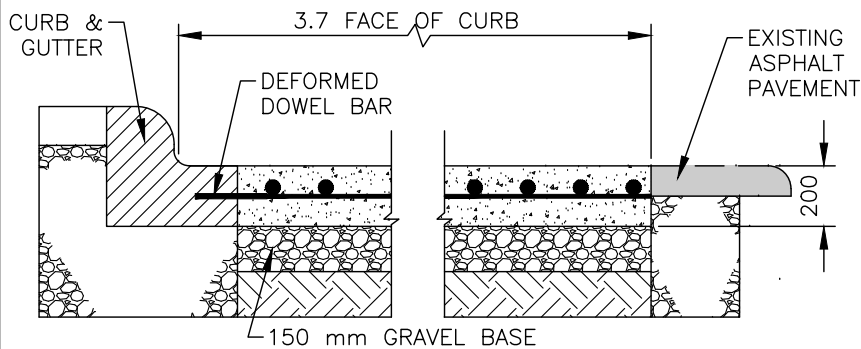


**DETAIL "B"**  
(CONTRACTION JOINT)



**LONGITUDINAL SECTION**

	SINGLE BUS BAY (MINIMUM DIMENSION)	DOUBLE BUS BAY (MINIMUM DIMENSION)
A	16	34
B	25	25
C	41	59



**TRANSVERSE SECTION**

**NOTES:**

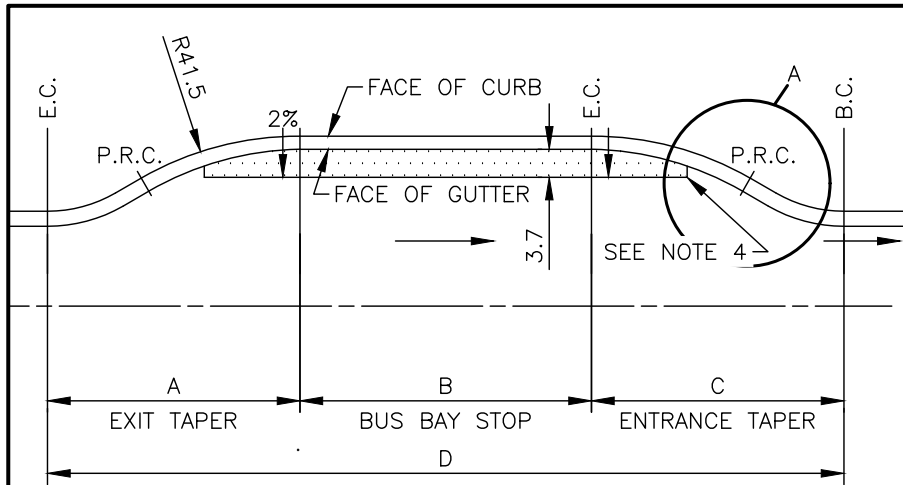
- 15M BARS AT 300 mm C.C. BOTH WAYS.
- CONTROL JOINTS TO BE AT A DEPTH OF 1/4 OF PAD THICKNESS & SEALED ACCORDING TO HRM SPECS.
- CONTROL JOINT EVERY 4.0 m MAXIMUM.
- MINIMUM WIDTH OF CONCRETE BASE IS 0.6 m.

**HALIFAX**

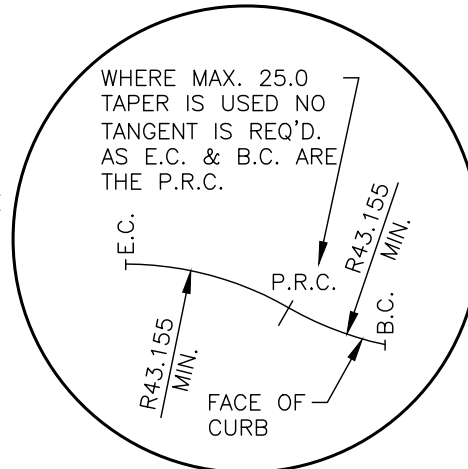
STANDARD DETAIL

CONCRETE BUS BAY  
PAD – END BLOCK

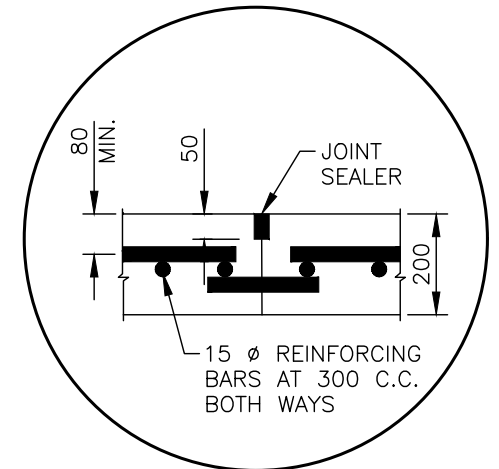
DATE:	2021	REFERENCE	APPROVED
SCALE:	NTS		FIG No.: HRM 57



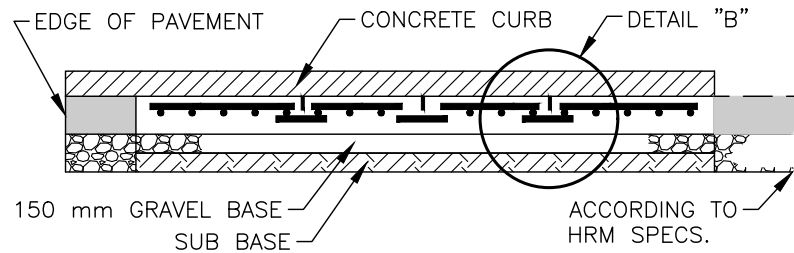
**PLAN**



**DETAIL "A"**

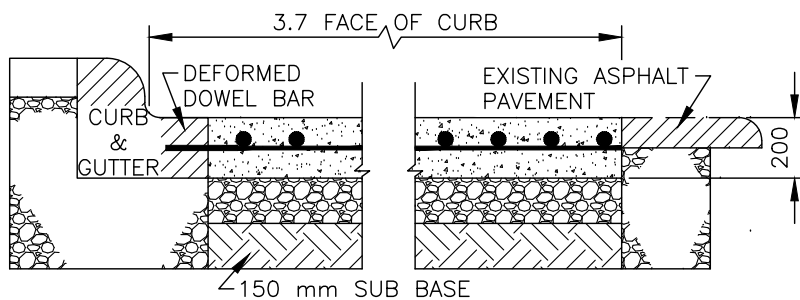


**DETAIL "B"**  
(CONTRACTION JOINT)



**LONGITUDINAL SECTION**

	SINGLE BUS BAY MINIMUM DIMENSION	DOUBLE BUS BAY MINIMUM DIMENSION
A	25	25
B	16	32
C	25	25
D	66	82



**TRANSVERSE SECTION**

**NOTES:**

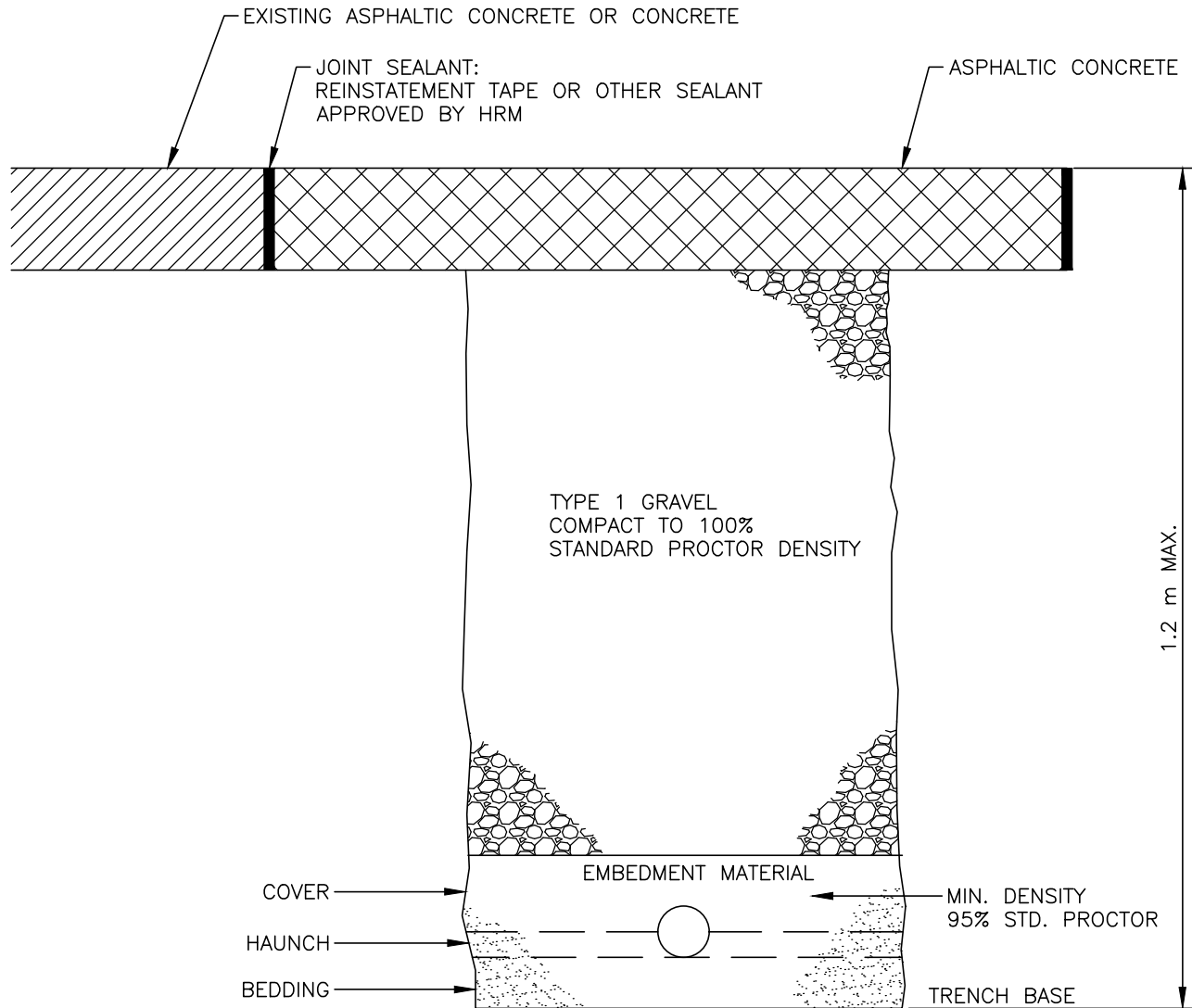
- 15M BARS AT 300 mm C.C. BOTH WAYS.
- CONTROL JOINTS TO BE AT A DEPTH OF 1/4 OF PAD THICKNESS & SEALED ACCORDING TO HRM SPECS.
- CONTROL JOINT EVERY 4.0 m MAXIMUM.
- MINIMUM WIDTH OF CONCRETE BASE IS 0.6 m.

**HALIFAX**

STANDARD DETAIL

CONCRETE BUS BAY  
PAD - MID BLOCK

DATE:	2021	REFERENCE	APPROVED
SCALE:	NTS		FIG No.: HRM 58



**NOTE:**

1. REFER TO THE TRENCH REINSTATEMENT SPECIFICATIONS FOR SPECIFIC REQUIREMENTS.

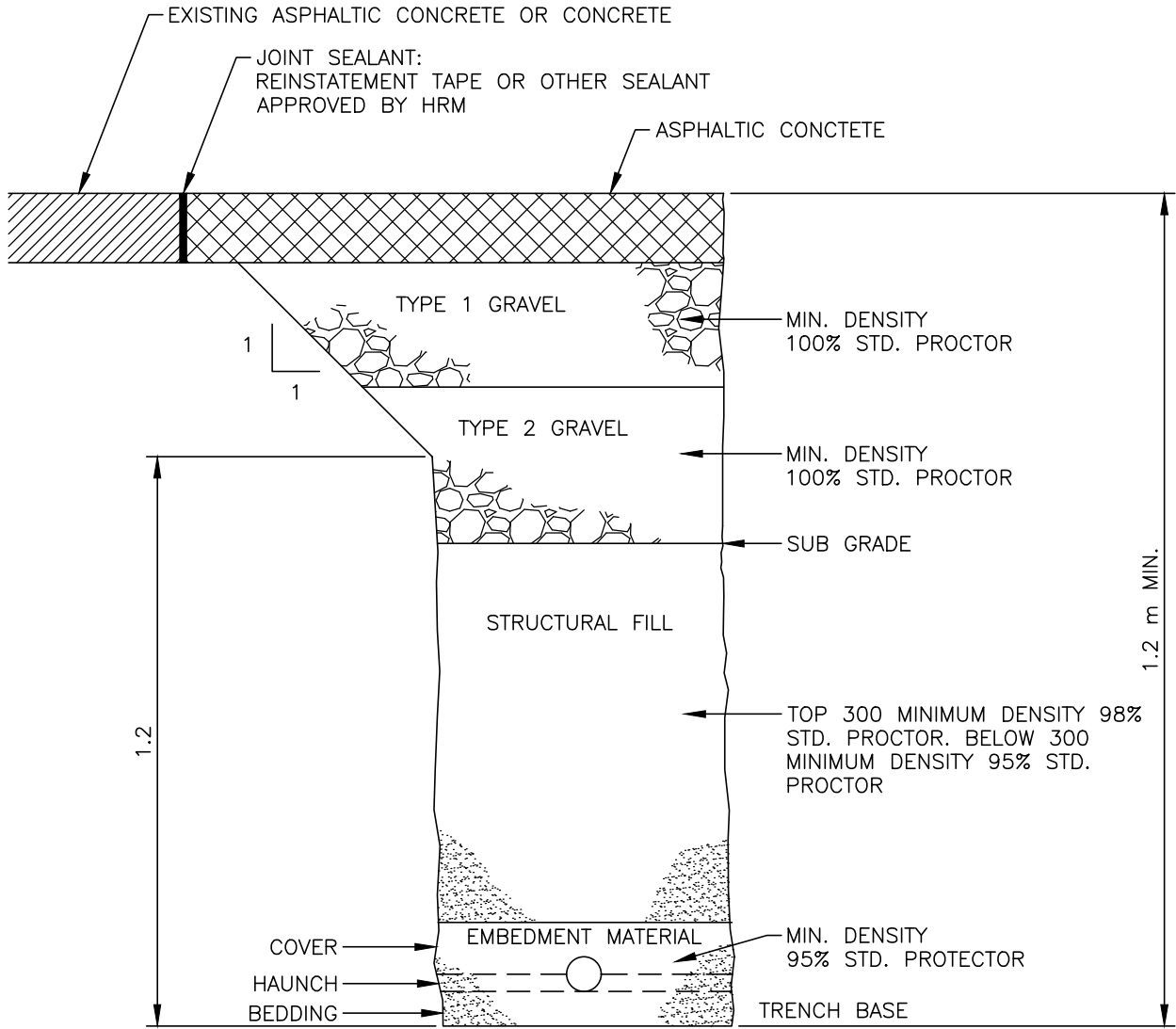
# HALIFAX

STANDARD DETAIL

**SHALLOW TRENCH  
REINSTATEMENT**

DATE:	2021	REFERENCE	APPROVED
SCALE:	NTS		FIG No.: <b>HRM 59</b>





**NOTE:**

- REFER TO THE TRENCH REINSTATEMENT SPECIFICATIONS FOR SPECIFIC REQUIREMENTS.

**HALIFAX**

STANDARD DETAIL

**DEEP TRENCH  
REINSTATEMENT**

DATE:	2021	REFERENCE	APPROVED
SCALE:	NTS		FIG No.: <b>HRM 60</b>

## TRENCH BACKFILL AND REINSTATEMENT – TESTING REQUIREMENTS

TEST REQUIRED	COMPACTION REQUIRED	MINIMUM TEST FREQUENCY	
		TRENCH LESS THAN 1.5m WIDE	TRENCH GREATER THAN 1.5m WIDE
COMPACTION OF BEDDING, HAUNCH AND COVER MATERIALS (ASTM D698) *SEE NOTE 3	95% MINIMUM AT 3% ± OF OPTIMUM MOISTURE. (SEE NOTES)	1 PER 25 m AT THE CENTRELINE OF THE TRENCH (AND EACH BENCH OR SECTION OF TRENCH LESS THAN 25 m IN LENGTH) FOR EACH 600 VERTICAL DEPTH OF BACKFILL MATERIAL A MINIMUM OF 3 TESTS PER TRENCH SHALL BE PERFORMED.	3 PER 25 m (AND EACH BENCH OR SECTION OF TRENCH LESS THAN 25 m IN LENGTH) FOR EACH 600 VERTICAL DEPTH OF BACKFILL MATERIAL 1 TEST SHALL BE TAKEN AT THE CENTRELINE OF THE TRENCH (SET BACK AT LEAST 300 mm FROM THE EDGE OF THE TRENCH). A MINIMUM OF 3 TESTS PER TRENCH SHALL BE PERFORMED.
COMPACTION OF STRUCTURAL FILL TO SUBGRADE ELEVATION (ASTM D698) *SEE NOTE 3	TOP 300 98% COMPACTION MINIMUM AT 3% ± OF OPTIMUM MOISTURE. (SEE NOTES)		
	BELOW 300 95% COMPACTION MINIMUM AT 3% ± OF OPTIMUM MOISTURE. (SEE NOTES)		
COMPACTION OF TYPE 1 & TYPE 2 BASE & SUB-BASE MATERIALS (ASTM D698)	100% COMPACTION MINIMUM AT 3% ± OF OPTIMUM MOISTURE (SEE NOTES)	FOR EACH MATERIAL, 1 PER 25 m AT THE CENTRELINE OF THE TRENCH (AND EACH BRANCH OR SECTION OF THE TRENCH LESS THAN 25 m IN LENGTH) FOR EACH 300 VERTICAL DEPTH OF BACKFILL MATERIAL. A MINIMUM OF 3 TESTS PER TRENCH SHALL BE PERFORMED.	FOR EACH MATERIAL, 3 PER 25 m (AND EACH BRANCH OR SECTION OF TRENCH LESS THAN 25 m IN LENGTH) FOR EACH 300 VERTICAL IN DEPTH OF BACKFILL MATERIAL. 1 TESTS SHALL BE TAKEN AT THE CENTRELINE OF THE TRENCH AND 1 AT EACH EDGE OF THE TRENCH (SET BACK AT LEAST 300 mm FROM THE EDGE OF THE TRENCH). A MINIMUM OF 3 TESTS PER TRENCH SHALL BE PERFORMED.
COMPACTION OF HOT MIX ASPHALT PAVEMENT (ASTM D3549 & 2726)	95% OF MAXIMUM THEORETICAL DENSITY OF COMPARATIVE MARSHALL LABORATORY SAMPLE.	ONE TEST FOR EACH 75 m <sup>2</sup> OF PAVEMENT SURFACE. A MINIMUM OF 1 TEST PER TRENCH.	ONE TEST FOR EACH 75 m <sup>2</sup> OF PAVEMENT SURFACE. A MINIMUM OF 1 TEST PER TRENCH.

**NOTES:**

1. THE TRENCH WIDTH FOR DETERMINATION OF THE TEST SHALL BE THE WIDTH OF THE TRENCH AT THE LEVEL OF THE TEST BEING PERFORMED.
2. IF MINIMUM MOISTURE DENSITY REQUIREMENTS ARE NOT MET BY THESE TESTS, THE CONTRACTOR SHALL RECOMPACT THE TRENCH AS NEEDED TO ACHIEVE THE SPECIFIED COMPACTION. SUCH RECOMPACTION SHALL EXTEND ON BOTH SIDES OF THE FAILED TEST SECTION A DISTANCE EQUAL TO 1/2 THE DISTANCE FROM WHERE THE LAST TEST WAS TAKEN OR 50 m, WHICHEVER IS LEAST. AN ALTERNATIVE PROCEDURE WOULD BE TO MORE CLEARLY DEFINE THE LIMITS OF THE FAILED AREA TO ADDITIONAL TESTS.
3. TESTING FOR BEDDING, HAUNCH AND STRUCTURAL FILL ARE NOT ONLY REQUIRED WHEN THE TOTAL LENGTH OF TRENCH EXCEEDS 100 m, OR WHEN REQUESTED BY THE HRM INSPECTOR.

# HALIFAX

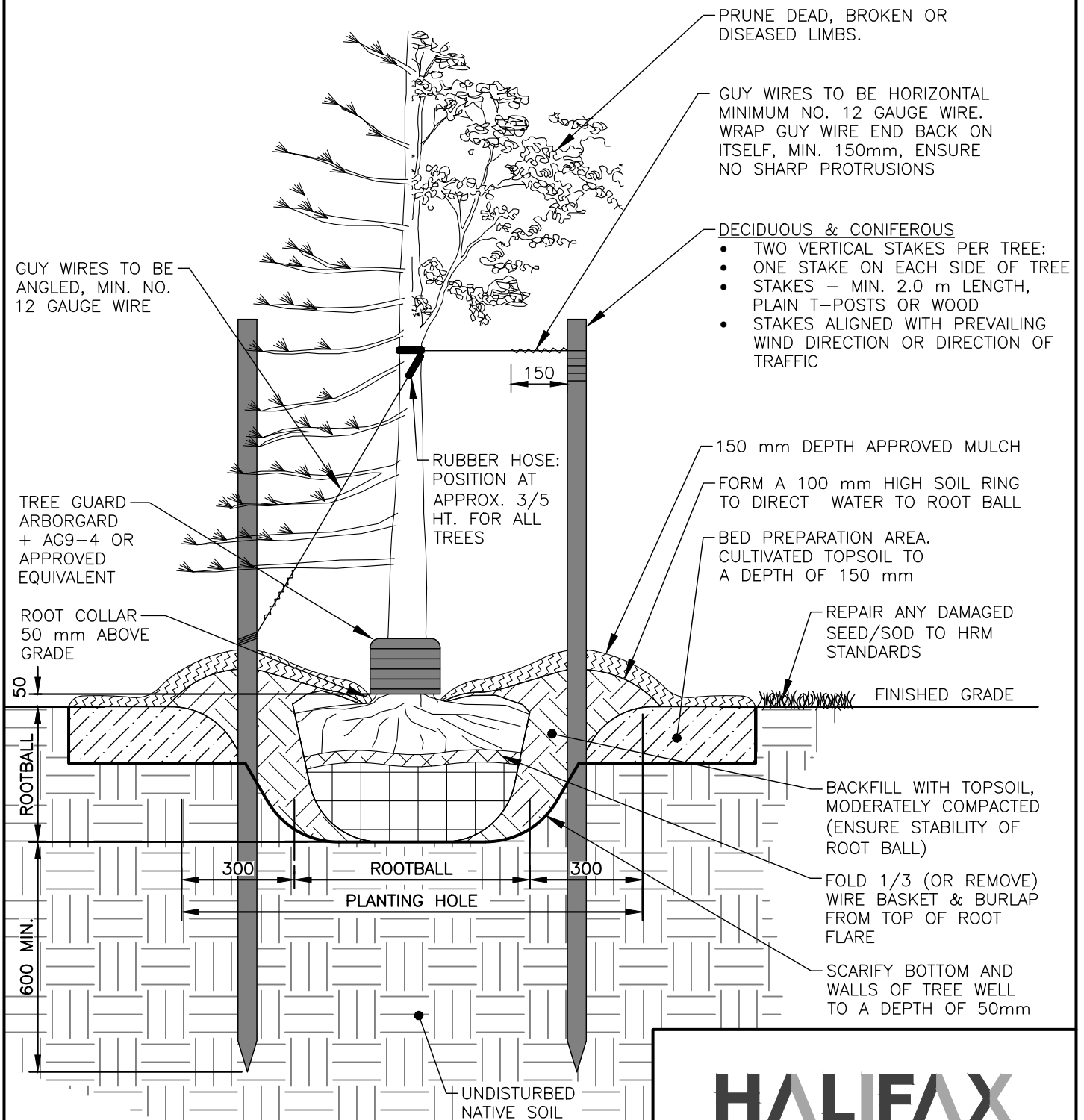
**STANDARD DETAIL**

**TRENCH BACKFILL &  
REINSTATEMENT-TESTING**

DATE:	2021	REFERENCE	APPROVED
SCALE:	NTS		FIG No.: <b>HRM 61</b>

**CONIFEROUS**  
1.8–2 m HEIGHT

**DECIDUOUS**  
60 mm CALIPER



**NOTES:**

1. SOAK THE ROOTBALL AND BACKFILL AREA WITH 40 LITRES OF WATER AFTER PLANTING
2. CUT AND REMOVE ALL WIRE, ROPE, BURLAP AND TWINE FROM THE TOP 1/3 OF THE ROOTBALL
3. PRUNE AT PLANTING TO CAREFULLY REMOVE DEAD, BROKEN AND DAMAGED BRANCHES
4. ROOT BALL MIN. SIZE AS PER CNLA STANDARDS FOR NURSERY STOCK.
5. DIMENSIONS ARE IN MILLIMETRES UNLESS OTHERWISE NOTED.

**HALIFAX**

**STANDARD DETAIL**  
**TREE PLANTING**  
**IN PARKS/OPEN SPACE**

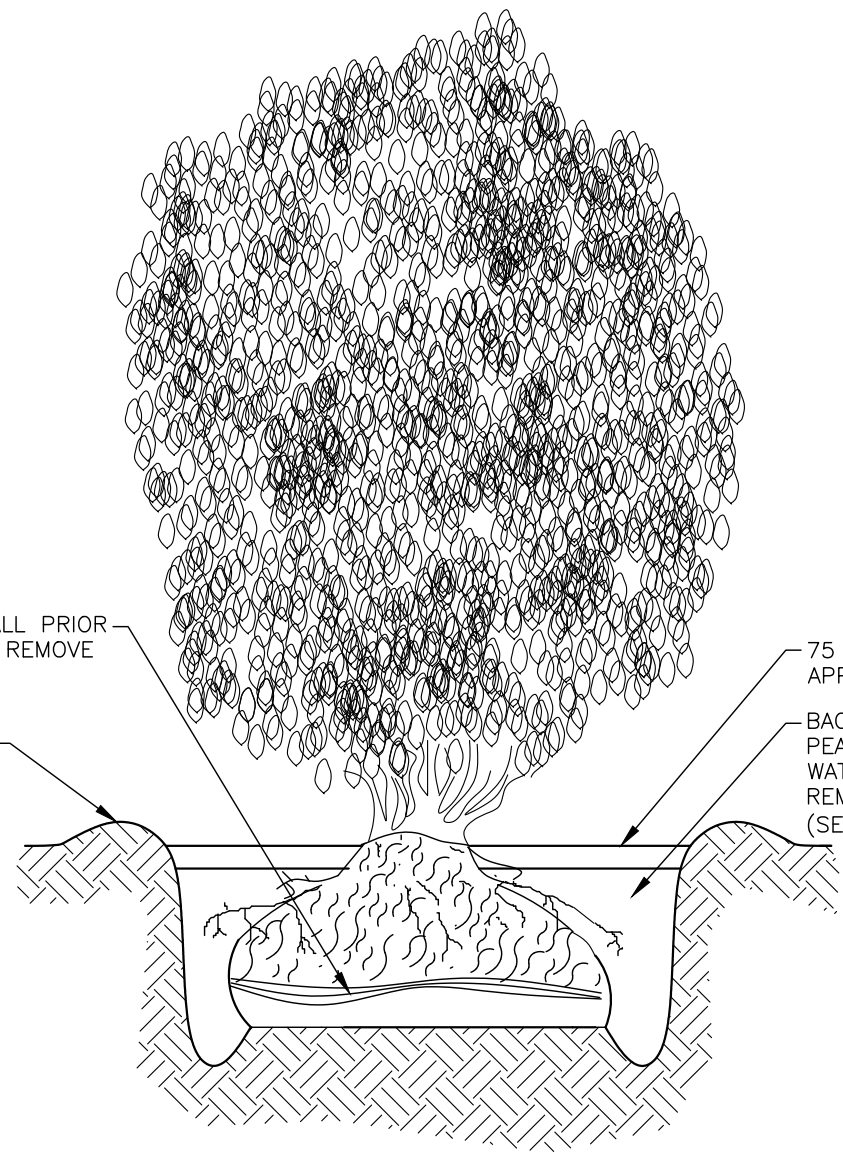
DATE:	2021	REFERENCE	APPROVED
SCALE:	1:15	FIG No.:	HRM 66

PRESOAK ROOT BALL PRIOR TO PLANTING AND REMOVE 2/3 OF BURLAP

FORM SAUCER TO CAPTURE WATER

75 LAYER OF APPROVED MULCH

BACKFILL WITH TOPSOIL & PEAT MOSS PLANTING MIX. WATER AND TAMP TO REMOVE AIR POCKETS. (SEE NOTE #1)



NOTE:

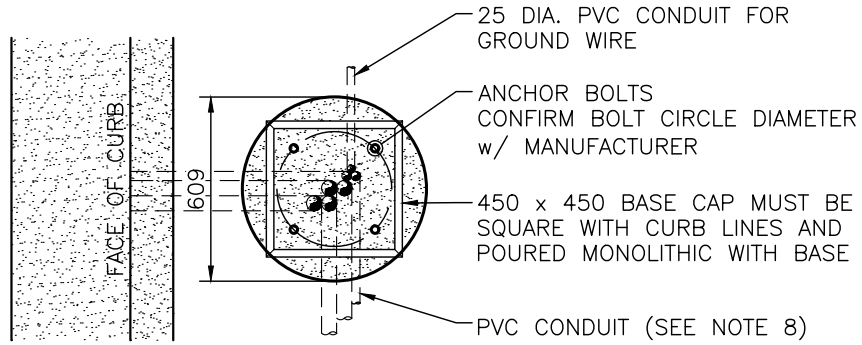
1. PLANTING MIX SHALL BE 3 PARTS FERTILE TOPSOIL TO 1 PART PEAT MOSS.

# HALIFAX

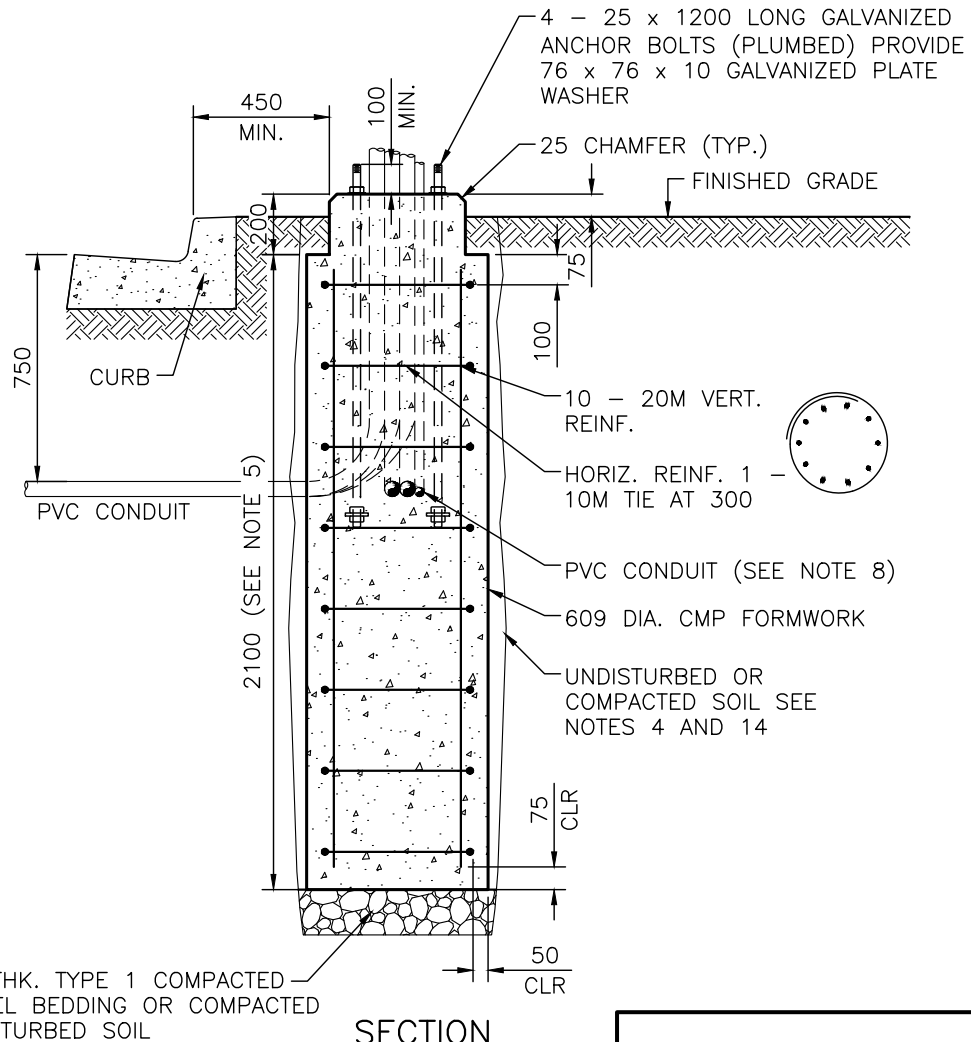
STANDARD DETAIL

SHRUB PLANTING

DATE:	2021	REFERENCE	APPROVED
SCALE:	NTS		FIG No.: <b>HRM 67</b>



**PLAN**



**SECTION**

**NOTES:**

1. SEE HRM 68N3, SELECTION GUIDE, FOR PERMITTED POLES AND TRAFFIC SIGNAL EQUIPMENT.
2. FOR NOTES REFER TO HRM 68N1.
3. DIMENSIONS ARE IN MILLIMETRES.

<h1>HALIFAX</h1>		
<b>STANDARD DETAIL</b>		
<b>TRAFFIC SIGNAL BASE FOR CONFIGURATION A</b>		
DATE:	REFERENCE	APPROVED
2021		
SCALE:		FIG No.:
1:25		HRM 68

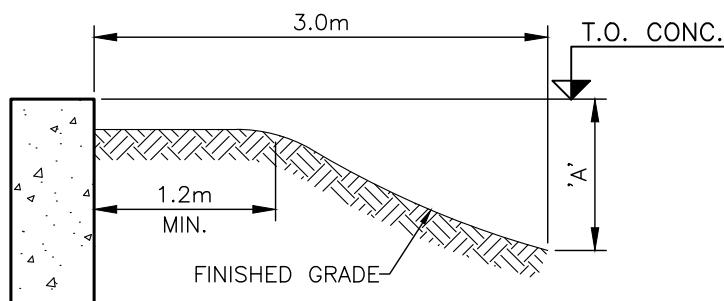
NOTES FOR SHAFT FOUNDATIONS ONLY:

1. ALL DIMENSIONS IN MILLIMETRES UNLESS OTHERWISE SHOWN.
2. CONCRETE 28 DAY STRENGTH TO BE 35 MPa, CLASS OF EXPOSURE 'C1', AIR CONTENT 5 – 8%.
3. ENGINEER TO CONFIRM SOIL PARAMETERS BEFORE PROCEEDING WITH WORK.
4. DESIGN IS FOR DRY SOIL CONDITIONS (NO GROUND WATER TABLE) WITH A MINIMUM  $\gamma_{\text{SOIL}} = 18 \text{ kN/m}^3$ ,  $K_p = 3.5$ ,  $\phi = 34^\circ$ .
5. WHERE SOUND BEDROCK IS ENCOUNTERED, FOUNDATION CONSTRUCTION MAY BE MODIFIED TO USE ROCK ANCHORS DOWELED INTO ROCK. REFER TO DRAWING No. 74B.1 AND 74B.2.
6. ANCHORS TO BE MINIMUM GRADE A307, PLATE WASHERS MINIMUM GRADE 300W.
7. CONTRACTOR TO CONFIRM ANCHOR BOLT DIAMETER, LENGTH AND BOLT CIRCLE PRIOR TO PROCEEDING WITH WORK.
8. PROPOSED PVC CONDUIT SIZE AND CONFIGURATION INDICATED ON DRAWINGS. CONDUITS ARE ASSUMED TO BE "BUNCHED" AND IN CENTRE OF PEDESTAL. FOR PEDESTAL WITH NOMINAL DIAMETER OF D-NOM, DIAMETER OF "BUNCHED" CONDUIT AT TOP OF CONCRETE SHALL BE D-B MAXIMUM. IF "BUNCHED" DIAMETER AT TOP OF CONCRETE IS GREATER THAN D-B, USE D-ADJ DIA. PEDESTAL.

D-NOM	D-B	D-ADJ
609	150	762
762	250	914
914	300	1067

9. CONCRETE MUST BE PLACED IN A SINGLE POUR.
10. EMBEDMENT DEPTH OF THE FOUNDATION WAS DERIVED FROM THE ONTARIO MINISTRY OF TRANSPORTATION ENGINEERING STANDARDS BRANCH – GUIDELINES FOR THE DESIGN OF HIGH MAST POLE FOUNDATIONS, 4TH Ed. 2004.
11. TORSIONAL RESISTANCE OF THE FOUNDATION WAS COMPLETED BASED ON BROM'S TORSION LOADING ANALYSIS OF SHORT SINGLE SHAFT FOUNDATIONS.
12. RESIDUAL FRICTIONAL COEFFICIENT ( $\mu$ ) BETWEEN THE CIRCUMFERENCE OF THE FOUNDATION AND SOIL IS TO BE 0.3.
13. WHERE FINISHED GRADE IS LOWER NEAR POLE BASE, HEIGHT OF FOUNDATION TO BE INCREASED AS FOLLOWS:

- 'A' UP TO 0.3m, NO INCREASE.
- 'A' UP TO 0.6m, INCREASE HEIGHT BY 0.2m.
- 'A' UP TO 1.0m, INCREASE HEIGHT BY 0.4m.



14. ENSURE FULLY COMPACTED SOIL AROUND FOUNDATION.

<b>HALIFAX</b>		
STANDARD DETAIL		
STANDARD NOTES SHAFT FOUNDATIONS		
DATE:	2021	REFERENCE
SCALE:	NTS	APPROVED
		FIG No.: <b>HRM 68N1</b>

NOTES FOR SPREAD FOUNDATIONS ONLY:

1. ALL DIMENSIONS IN MILLIMETRES UNLESS OTHERWISE SHOWN.
2. CONCRETE 28 DAY STRENGTH TO BE 35 MPa, CLASS OF EXPOSURE 'C1', AIR CONTENT 5 – 8%.
3. ENGINEER TO CONFIRM SOIL PARAMETERS BEFORE PROCEEDING WITH WORK.
4. DESIGN IS FOR DRY SOIL CONDITIONS (NO GROUND WATER TABLE) WITH A MINIMUM  $\gamma_{\text{SOIL}} = 18 \text{ kN/m}^3$ ,  $K_p = 3.5$ ,  $\phi = 34^\circ$ .
5. WHERE SOUND BEDROCK IS ENCOUNTERED, FOUNDATION CONSTRUCTION MAY BE MODIFIED TO USE ROCK ANCHORS DOWELED INTO ROCK. REFER TO DRAWING No. 74B.1 AND 74B.2.
6. ANCHORS TO BE MINIMUM GRADE A307, PLATE WASHERS MINIMUM GRADE 300W.
7. CONTRACTOR TO CONFIRM ANCHOR BOLT DIAMETER, LENGTH AND BOLT CIRCLE PRIOR TO PROCEEDING WITH WORK.
8. PROPOSED PVC CONDUIT SIZE AND CONFIGURATION INDICATED ON DRAWINGS. CONDUITS ARE ASSUMED TO BE "BUNCHED" AND IN CENTRE OF PEDESTAL. FOR PEDESTAL WITH NOMINAL DIAMETER OF D-NOM, DIAMETER OF "BUNCHED" CONDUIT AT TOP OF CONCRETE SHALL BE D-B MAXIMUM. IF "BUNCHED" DIAMETER AT TOP OF CONCRETE IS GREATER THAN D-B, USE D-ADJ DIA. PEDESTAL.

D-NOM	D-B	D-ADJ
609	150	762
762	250	914
914	300	1067

9. FOOTINGS SHALL BEAR ON UNDISTURBED SOIL, STRUCTURAL FILL OR BEDROCK WITH A MINIMUM SERVICEABILITY LIMIT STATES (SLS) BEARING CAPACITY OF 150kPa AND A MINIMUM ULTIMATE LIMIT STATES (ULS) BEARING CAPACITY OF 250kPa.
10. TORSIONAL RESISTANCE ANALYSIS WAS COMPLETED CONSIDERING PASSIVE SOIL PRESSURE AT THE VERTICAL FACE OF THE FOOTINGS AND A FRICTION ( $\mu$ ) BETWEEN THE UNDERSIDE OF THE FOOTING AND SOIL OF 0.4.
11. FINISHED GRADE ELEVATIONS SHALL NOT VARY MORE THAN 150mm OVER A DISTANCE EQUAL TO TWICE THE EMBEDMENT DEPTH.
12. AFTER CONSTRUCTION, CUT OFF TOP OF CMP FORMWORK TO 150mm BELOW FINISHED GRADE.

**HALIFAX**

STANDARD DETAIL

STANDARD NOTES  
SPREAD FOOTINGS

DATE:	2021	REFERENCE	APPROVED
SCALE:	NTS		FIG No.: <b>HRM 68N2</b>

**TRAFFIC SIGNAL POLE BASE DESIGN SELECTION GUIDE FOR TYPE OF POLE BASE  
MAXIMUM DESIGN CRITERIA USED FOR DIFFERENT TYPES OF POLE BASES**

CONFIGURATION	POLE TYPE			TRAFFIC SIGNAL EQUIPMENT				PEDESTRIAN HEADS	STREET LIGHTING	SIGNAGE AREA (m <sup>2</sup> )	POLE BASE DESIGN TYPE	STANDARD HFV. DWG. NO.
	MATERIAL	BASE DIA. (mm)	TOTAL HEIGHT (m)	MAST ARMS			SIGNAL HEADS (PER POLE)					
				NO.	LENGTH (m)	ORIENTATION						
A	ALUM.	203	5.2	0	N.A.	N.A.	2	2	1@0.4	0	1	68
B	ALUM.	203	5.8	1	4.6	N.A.	2	2	NONE	0.7	2	69
C	ALUM.	203	5.8	2	4.6, TOTAL	180°	2	2	NONE	0.7	2	69
D	ALUM.	203	5.8	2	3.1 EACH	90°	2	2	NONE	0.7	2	69
E	ALUM.	254	8.2	0	N.A.	N.A.	0	0	2@1.85	0	2	69
F	ALUM.	254	6.7	1	6.1	N.A.	2	2	NONE	0.7	3	70
G	ALUM.	254	6.7	2	6.1, TOTAL	180°	2	2	NONE	0.7	3	70
H	ALUM.	254	6.7	2	3.6 EACH	90°	2	2	NONE	0.7	3	70
I	ALUM.	254	6.7	1	7.6	N.A.	2	2	NONE	0.7	4	71
J	ALUM.	254	6.7	2	7.6, TOTAL	180°	2	2	NONE	0.7	4	71
K	ALUM.	254	6.7	2	4.6 EACH	90°	2	2	NONE	0.7	4	71
L	ALUM.	254	11.3	0	N.A.	N.A.	3	2	2@1.85	0	4	71
M	ALUM.	254	9.7	1	7.6	N.A.	2	2	1@1.8	0.7	4A	71A
N	STEEL	254	6.1	1	12.2	N.A.	4	2	NONE	0.7	5	72
O	STEEL	254	6.1	2	12.2, TOTAL	180°	5	2	NONE	0.7	5	72
P	STEEL	254	6.1	2	7.6 EACH	90°	5	2	NONE	0.7	5	72
Q	STEEL	343	10.7	1	12.2	N.A.	4	2	2@3.6m	0.7	5A	72A
R	STEEL	343	10.7	2	12.2, TOTAL	180°	5	2	2@3.6m	0.7	5A	72A
S	STEEL	343	10.7	2	7.6 EACH	90°	5	2	2@3.6m	0.7	5A	72A
T	STEEL	343	6.1	1	18.3	N.A.	4	2	NONE	0.7	6	73
U	STEEL	343	6.1	2	18.3, TOTAL	180°	5	2	NONE	0.7	6	73
V	STEEL	343	6.1	2	10.7 EACH	90°	5	2	NONE	0.7	6	73
W	STEEL	343	10.7	1	18.3	N.A.	4	2	2@3.6m	0.7	6A	73A
X	STEEL	343	10.7	2	18.3, TOTAL	180°	5	2	2@3.6m	0.7	6A	73A
Y	STEEL	343	10.7	2	10.7 EACH	90°	5	2	2@3.6m	0.7	6A	73A
Z	STEEL	343	6.1	1	21.3	N.A.	4	2	NONE	0.7	7	74
AA	STEEL	343	6.1	2	21.3, TOTAL	180°	5	2	NONE	0.7	7	74
AB	STEEL	343	6.1	2	12.2 EACH	90°	5	2	NONE	0.7	7	74
AC	STEEL	343	10.7	1	21.3	N.A.	4	2	2@3.6m	0.7	7A	74A
AD	STEEL	343	10.7	2	21.3, TOTAL	180°	5	2	2@3.6m	0.7	7A	74A
AE	STEEL	343	10.7	2	12.2 EACH	90°	5	2	2@3.6m	0.7	7A	74A
AF	ALUM.	254	13.4	0	N.A.	N.A.	0	0	2@3.6m	0.7	8	74X

**NOTES**

- REFER TO HALIFAX STANDARD DRAWINGS 68 TO 74X FOR ADDITIONAL NOTES AND DESIGN CRITERIA.
- SEE STANDARD DRAWING NO. HRM 74B FOR REVISED POLE BASE FOUNDATION DESIGN WHICH MAY BE PERMITTED IN ROCK CONDITIONS.
- TRAFFIC SIGNAL POLE DESIGN CRITERIA MAY DIFFER FROM THAT AS SHOWN ON THIS TABLE. SHOULD THIS OCCUR, DESIGN ENGINEER SHALL BE CONSULTED FOR INTERPRETATION OF TABLE AND SELECTION OF POLE BASE TYPE, OR ADDITIONAL DESIGN IF REQUIRED.

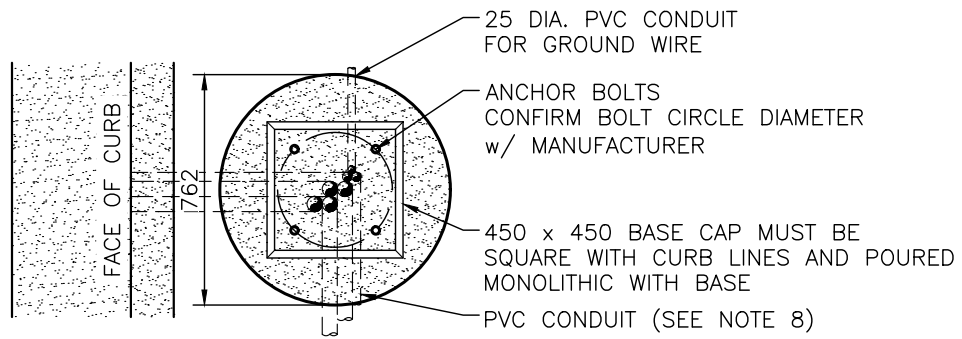
**HALIFAX**

**STANDARD DETAIL**

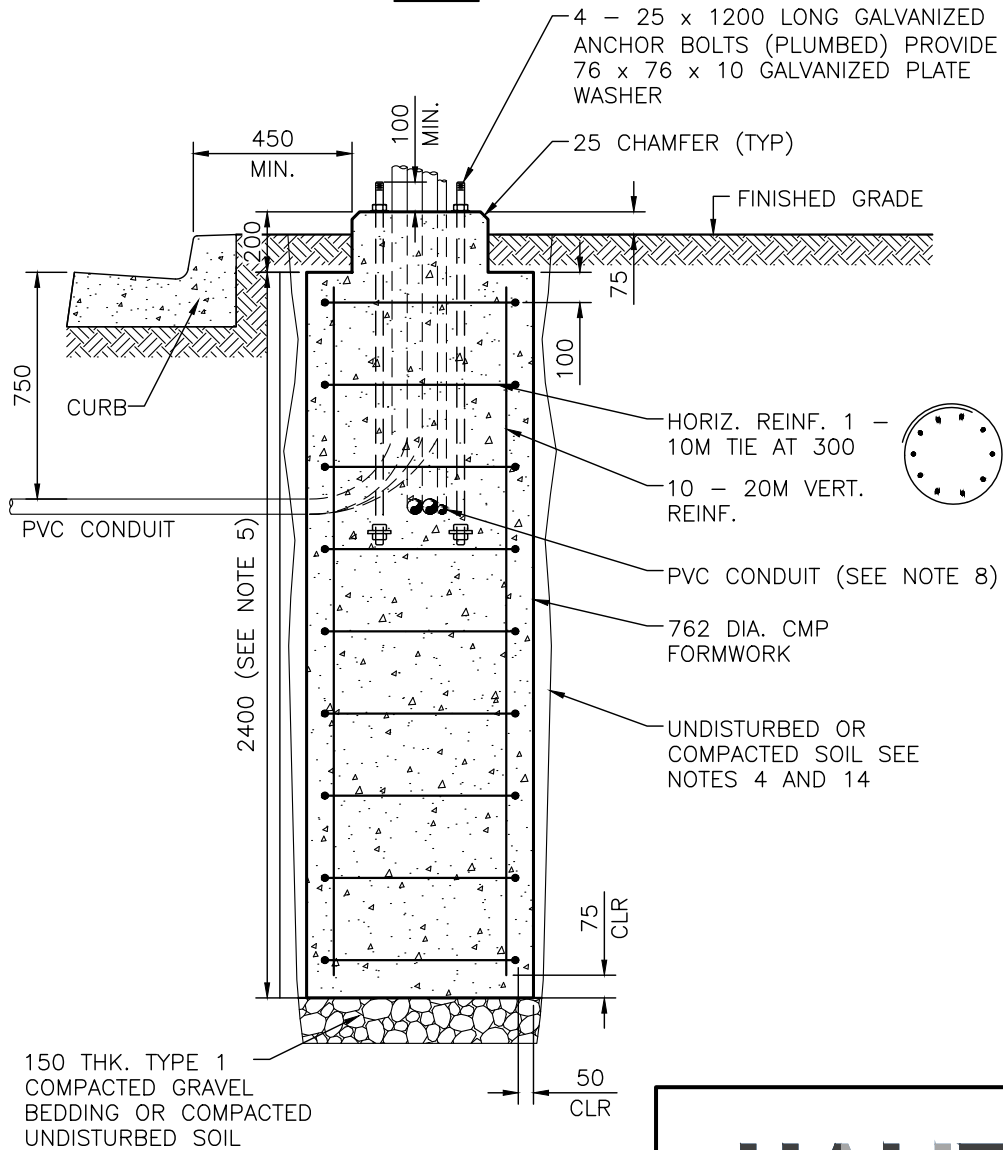
**POLE BASE  
SELECTION GUIDE**

DATE:	2021	REFERENCE	APPROVED
SCALE:	NTS		FIG No.: <b>HRM 68N3</b>





**PLAN**

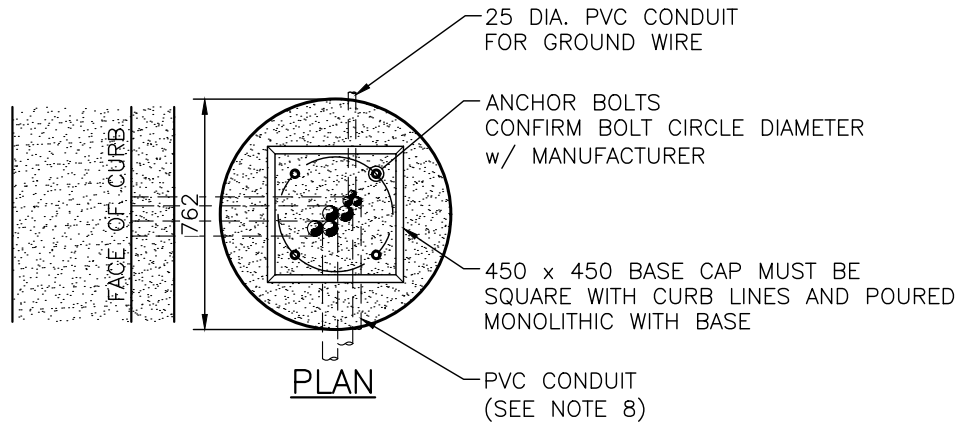


**SECTION**

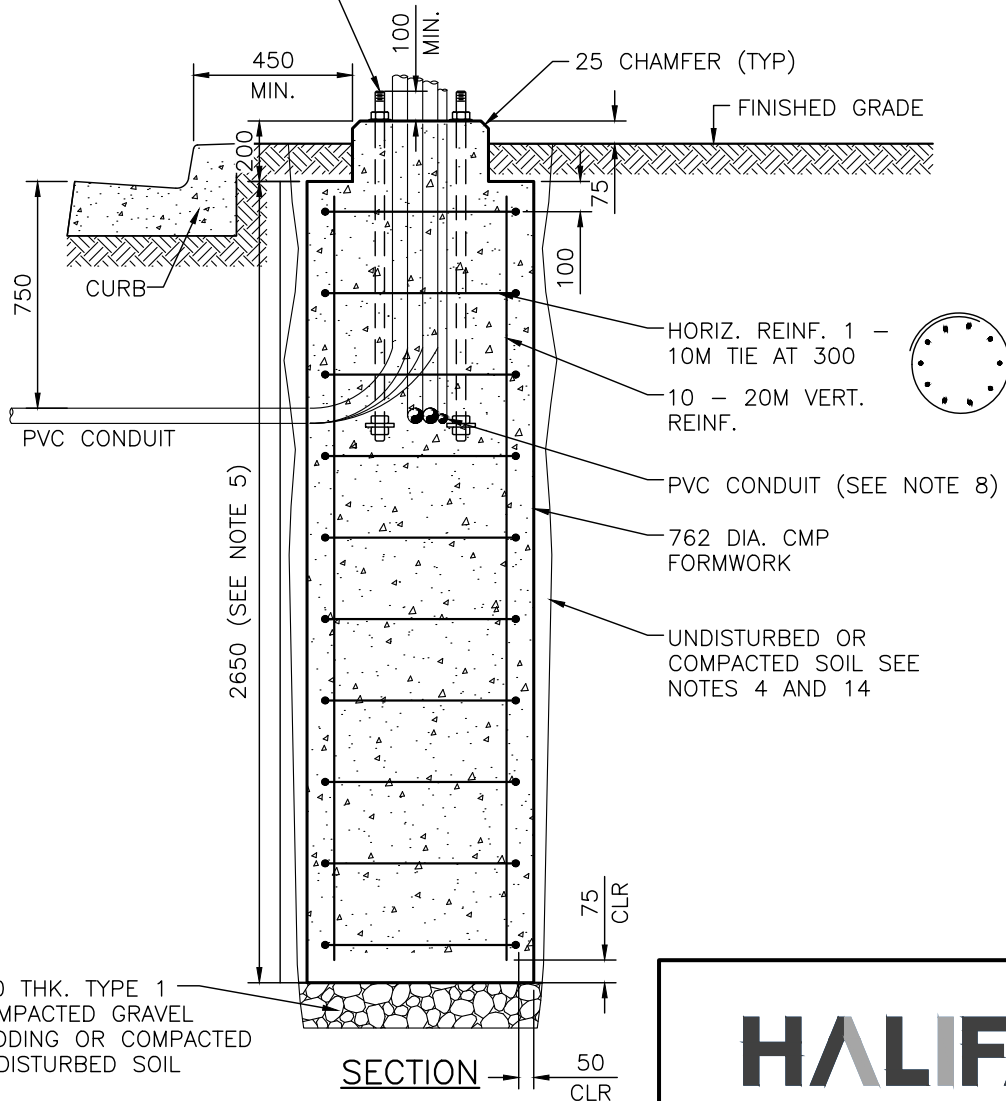
**NOTES:**

1. SEE HRM 68N3, SELECTION GUIDE, FOR PERMITTED POLES AND TRAFFIC SIGNAL EQUIPMENT.
2. FOR NOTES REFER TO HRM 68N1.
3. DIMENSIONS ARE IN MILLIMETRES.

<h1>HALIFAX</h1>		
<b>STANDARD DETAIL</b>		
<b>TRAFFIC SIGNAL BASE FOR CONFIGURATIONS B, C, D AND E</b>		
DATE:	REFERENCE	APPROVED
2021		
SCALE:		FIG No.:
1:25		HRM 69



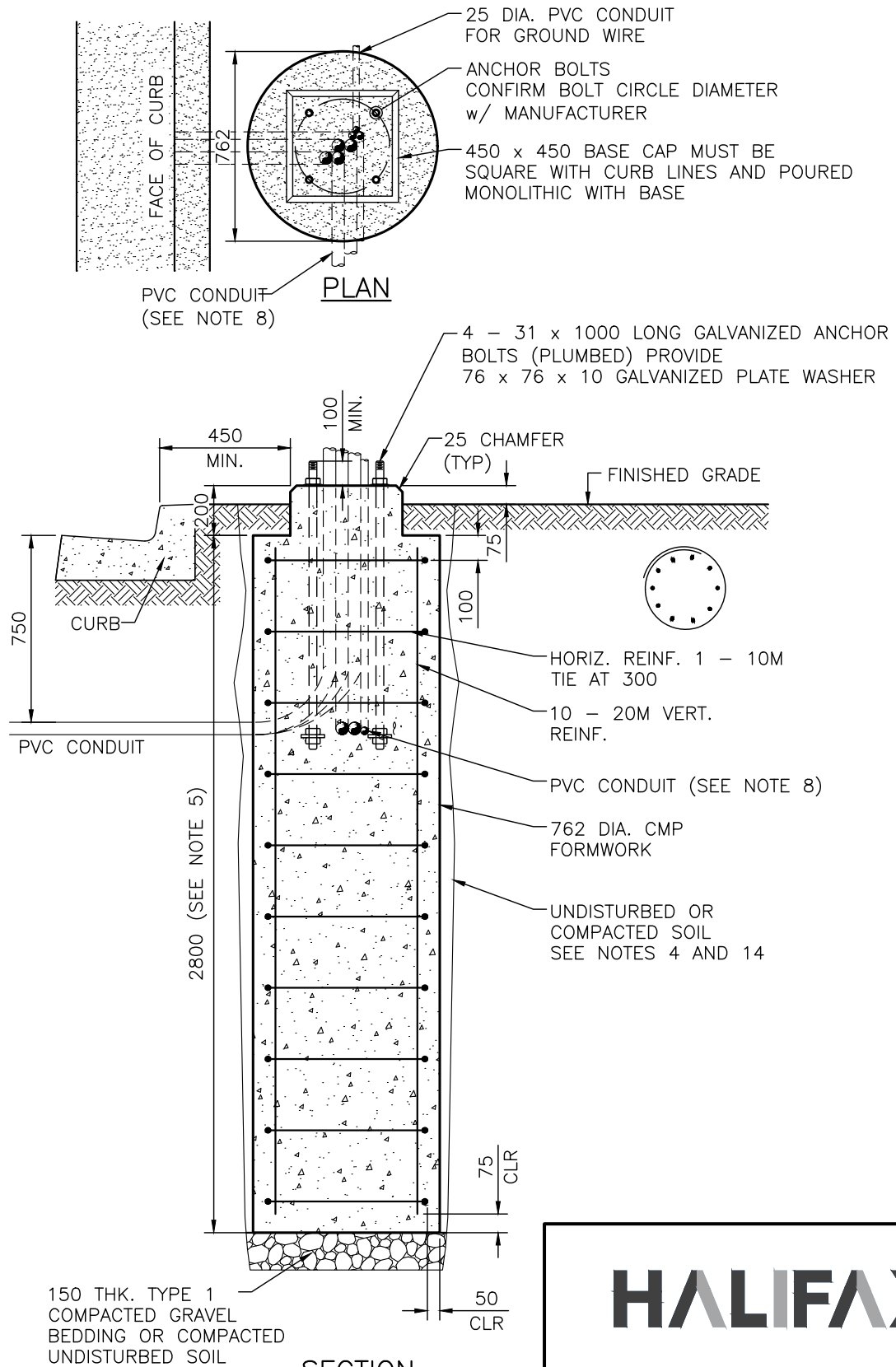
4 - 31 x 1000 LONG GALVANIZED ANCHOR BOLTS (PLUMBED) PROVIDE 76 x 76 x 10 GALVANIZED PLATE WASHER



**NOTES:**

1. SEE HRM 68N3, SELECTION GUIDE, FOR PERMITTED POLES AND TRAFFIC SIGNAL EQUIPMENT.
2. FOR NOTES REFER TO HRM 68N1.
3. DIMENSIONS ARE IN MILLIMETRES.

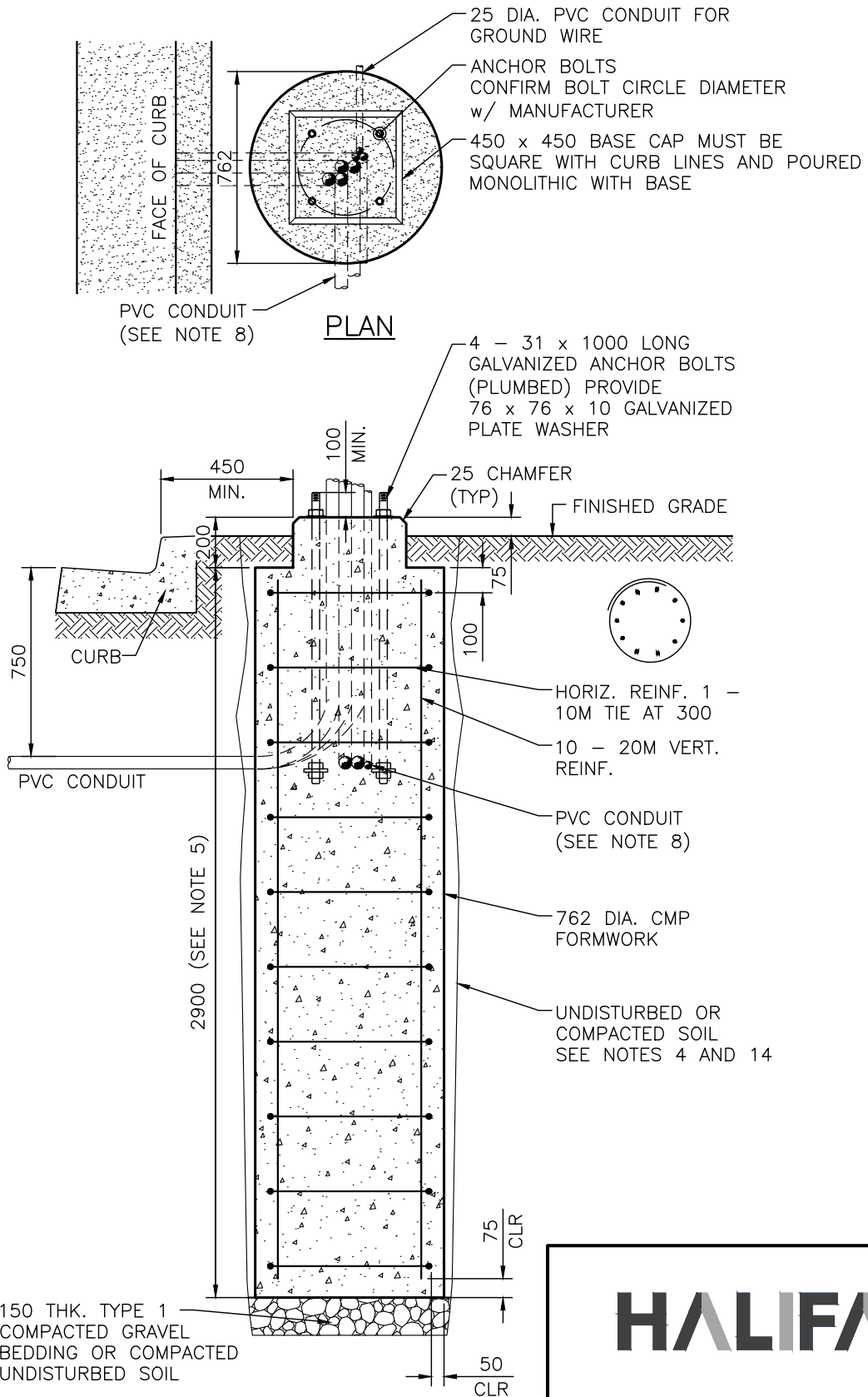
HALIFAX		
STANDARD DETAIL		
TRAFFIC SIGNAL BASE FOR CONFIGURATIONS F, G AND H		
DATE:	REFERENCE	APPROVED
2021		
SCALE:		FIG No.:
1:25		HRM 70



**NOTES:**

1. SEE HRM 68N3, SELECTION GUIDE, FOR PERMITTED POLES AND TRAFFIC SIGNAL EQUIPMENT.
2. FOR NOTES REFER TO HRM 68N1.
3. DIMENSIONS ARE IN MILLIMETRES.

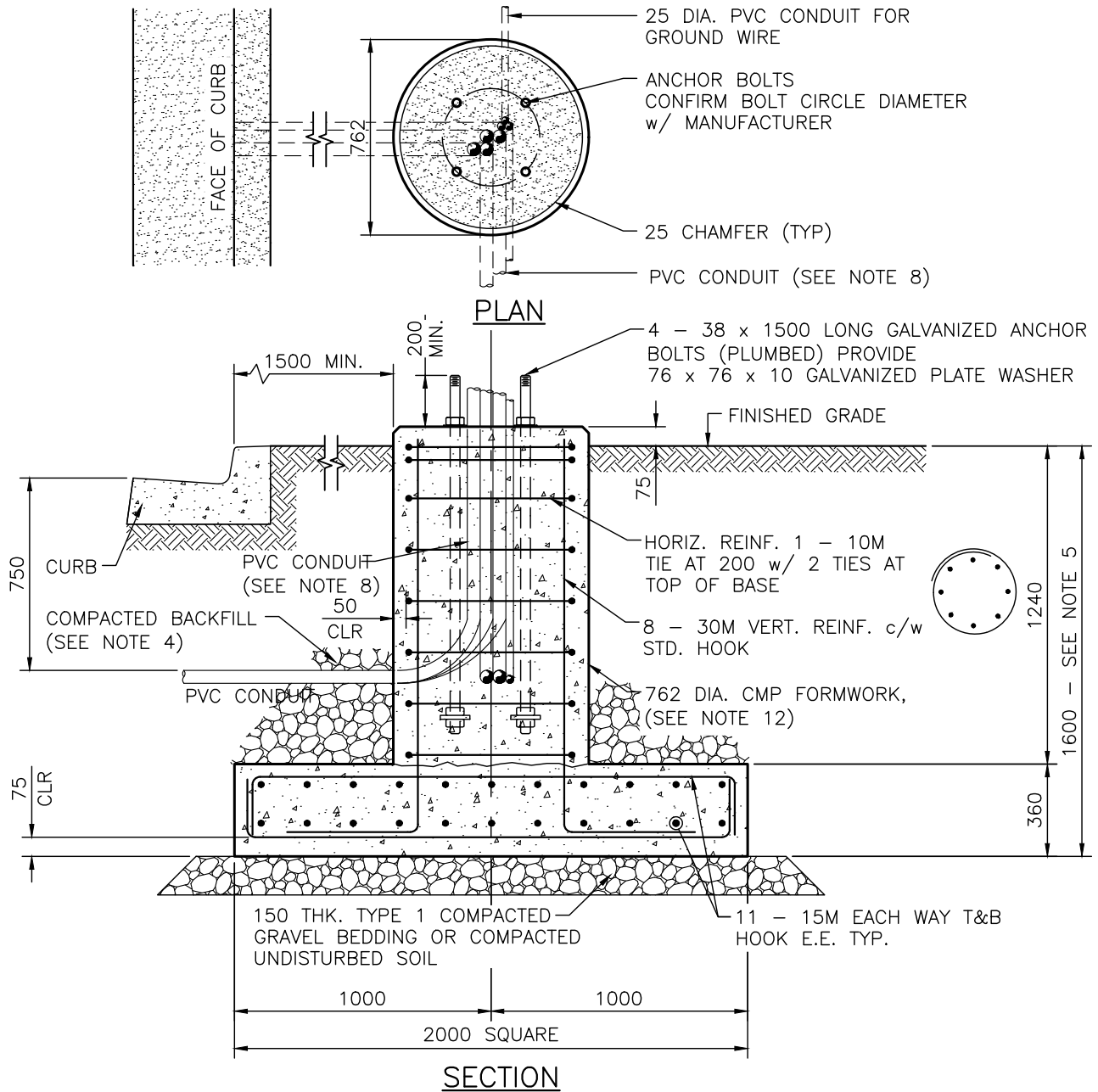
HALIFAX		
STANDARD DETAIL		
TRAFFIC SIGNAL BASE FOR CONFIGURATION I, J, K AND L		
DATE:	REFERENCE	APPROVED
2021		
SCALE:		FIG No.:
1:25		HRM 71



**NOTES:**

1. SEE HRM 68N3, SELECTION GUIDE, FOR PERMITTED POLES AND TRAFFIC SIGNAL EQUIPMENT.
2. FOR NOTES REFER TO HRM 68N1.
3. DIMENSIONS ARE IN MILLIMETRES.

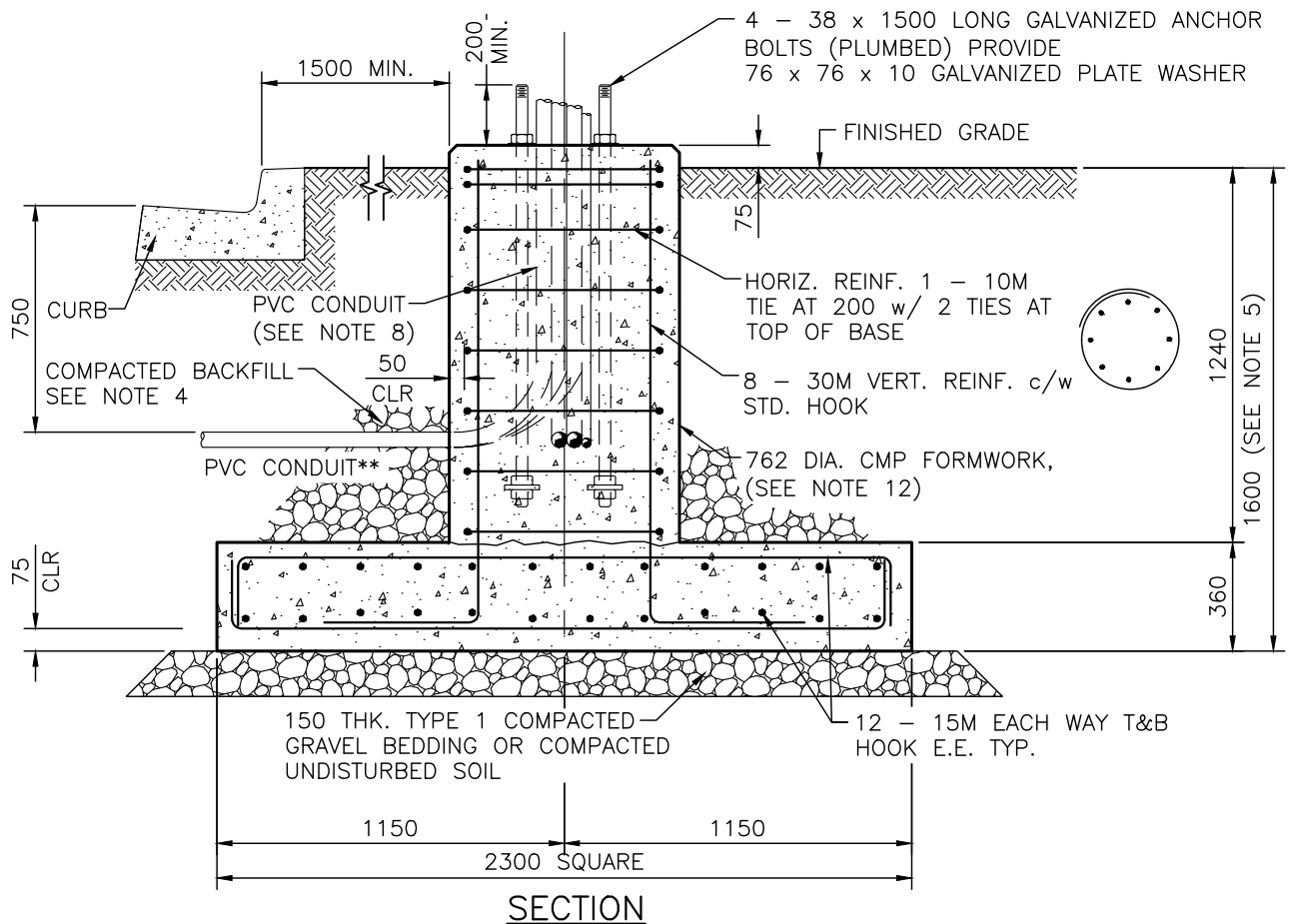
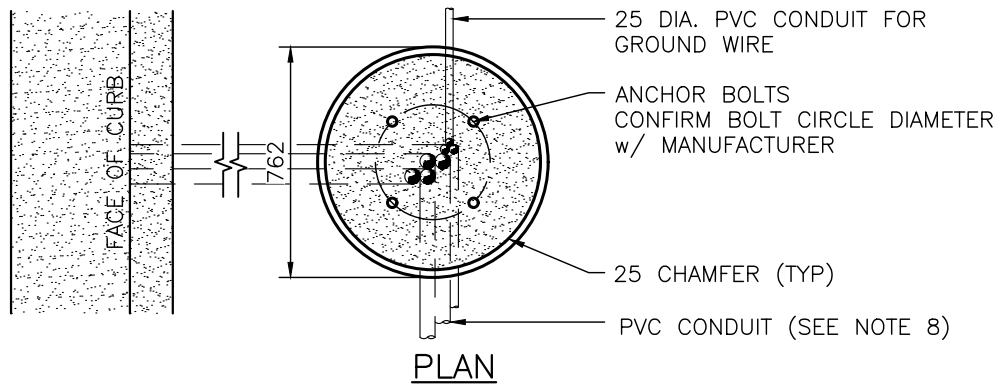
<h1>HALIFAX</h1>		
<b>STANDARD DETAIL</b>		
<b>TRAFFIC SIGNAL BASE FOR CONFIGURATION M</b>		
DATE:	REFERENCE	APPROVED
2021		
SCALE:		FIG No.:
1:25		HRM 71A



**NOTES:**

1. SEE HRM 68N3, SELECTION GUIDE, FOR PERMITTED POLES AND TRAFFIC SIGNAL EQUIPMENT.
2. FOR NOTES REFER TO HRM 68N2.
3. DIMENSIONS ARE IN MILLIMETRES.

<h1>HALIFAX</h1>		
<b>STANDARD DETAIL</b>		
<b>TRAFFIC SIGNAL BASE FOR CONFIGURATION N, O AND P</b>		
DATE:	2021	REFERENCE
SCALE:	1:25	APPROVED
		FIG No.: <b>HRM 72</b>



**NOTES:**

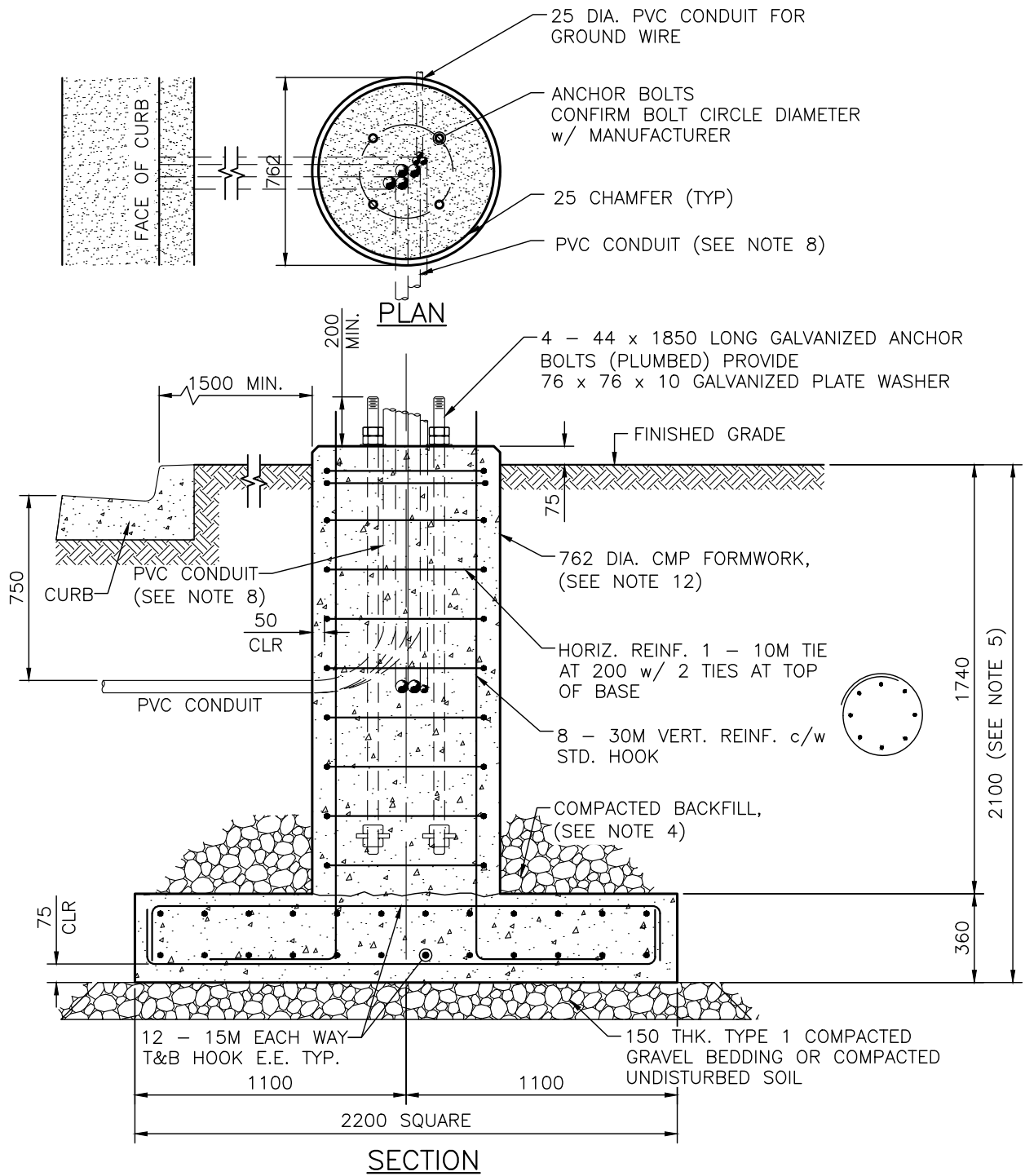
- SEE HRM 68N3, SELECTION GUIDE, FOR PERMITTED POLES AND TRAFFIC SIGNAL EQUIPMENT.
- FOR NOTES REFER TO HRM 68N2.
- DIMENSIONS ARE IN MILLIMETRES.

**HALIFAX**

**STANDARD DETAIL**

**TRAFFIC SIGNAL BASE FOR CONFIGURATION Q, R AND S**

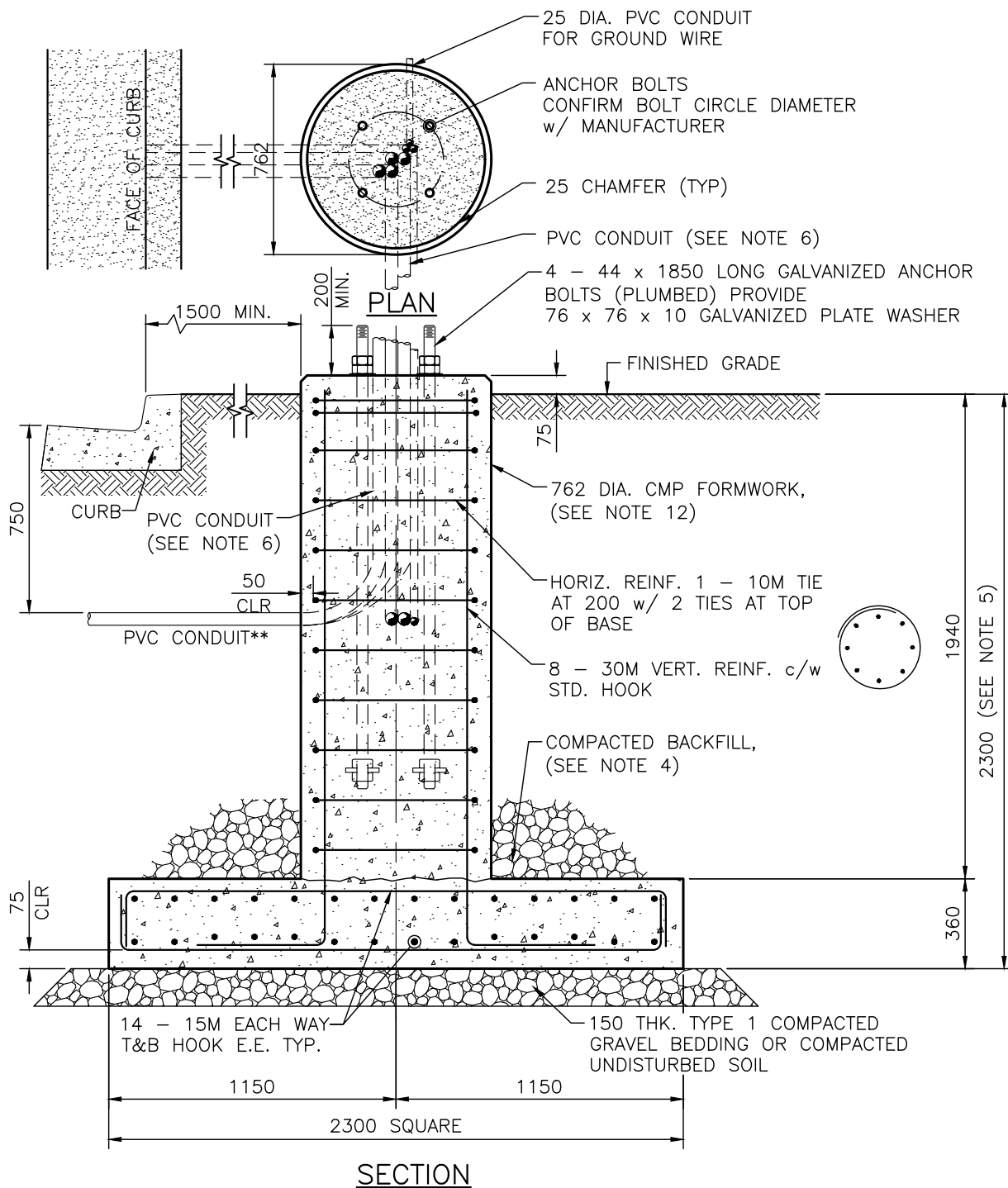
DATE:	2021	REFERENCE	APPROVED
SCALE:	1:25		FIG No.: <b>HRM 72A</b>



**NOTES:**

1. SEE HRM 68N3, SELECTION GUIDE, FOR PERMITTED POLES AND TRAFFIC SIGNAL EQUIPMENT.
2. FOR NOTES REFER TO HRM 68N2.
3. DIMENSIONS ARE IN MILLIMETRES.

<h1>HALIFAX</h1>		
<b>STANDARD DETAIL</b>		
<b>TRAFFIC SIGNAL BASE FOR CONFIGURATION T, U AND V</b>		
DATE:	2021	REFERENCE
SCALE:	1:25	APPROVED
		FIG No.: <b>HRM 73</b>

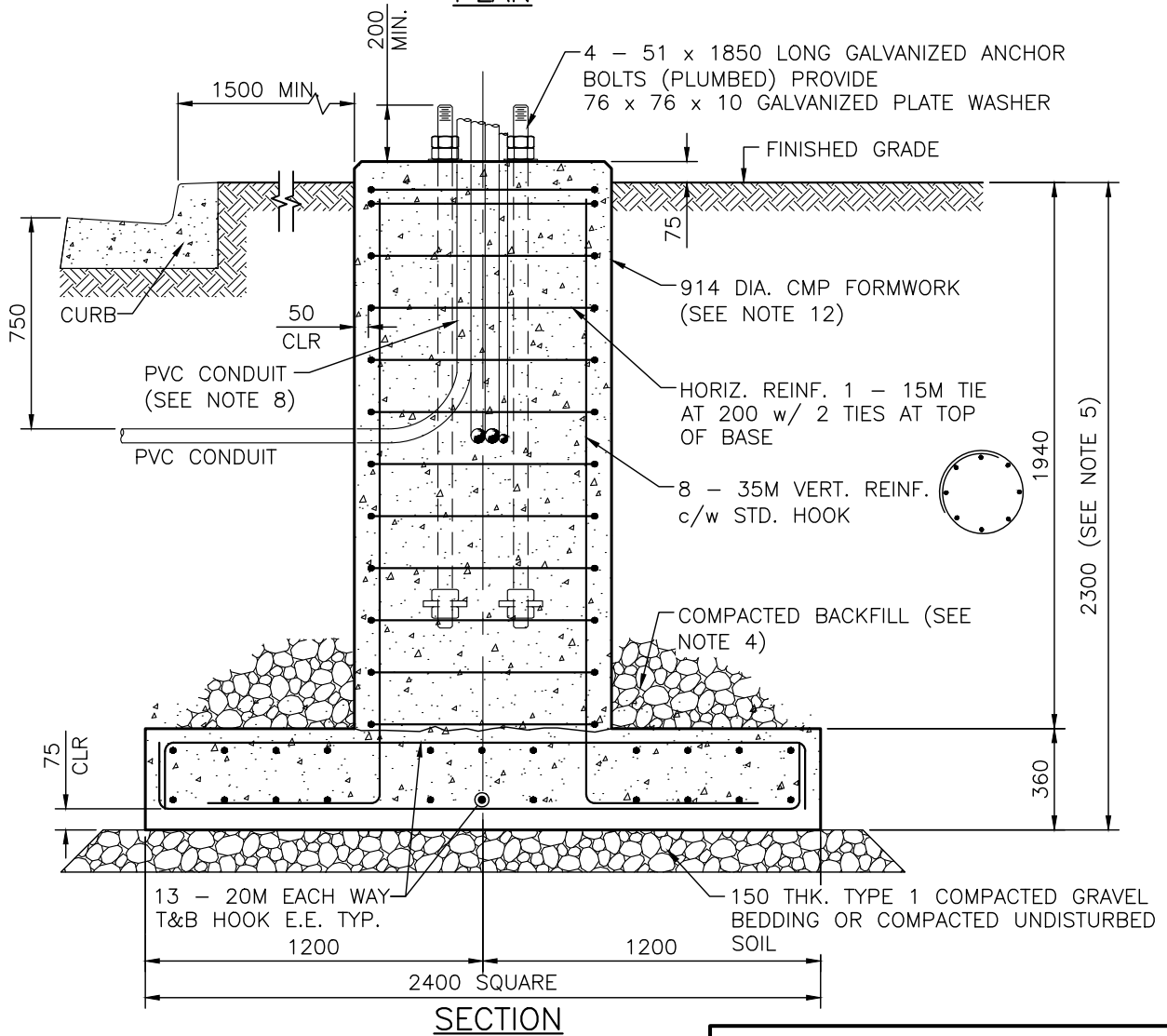
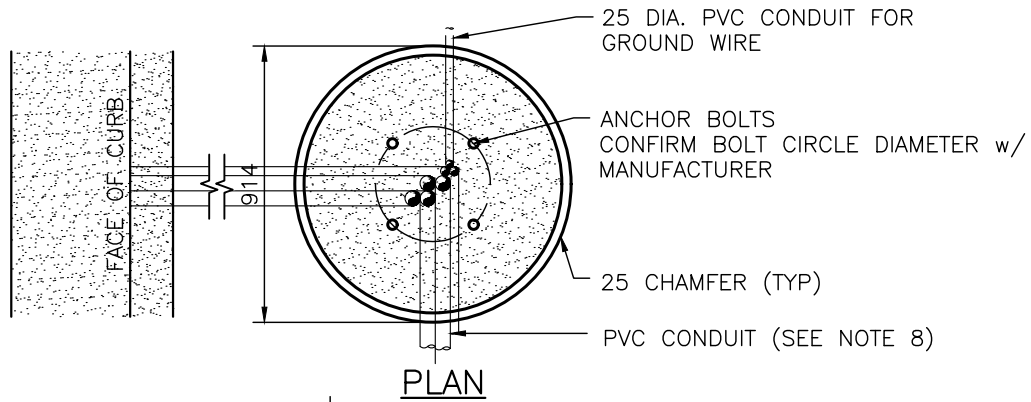


**NOTES:**

- SEE HRM 68N3, SELECTION GUIDE, FOR PERMITTED POLES AND TRAFFIC SIGNAL EQUIPMENT.
- FOR NOTES REFER TO HRM 68N2.
- DIMENSIONS ARE IN MILLIMETRES.

<h1>HALIFAX</h1>		
<b>STANDARD DETAIL</b>		
<b>TRAFFIC SIGNAL BASE FOR CONFIGURATION W, X AND Y</b>		
DATE:	2021	REFERENCE
SCALE:	1:25	APPROVED
		FIG No.: <b>HRM 73A</b>





**NOTES:**

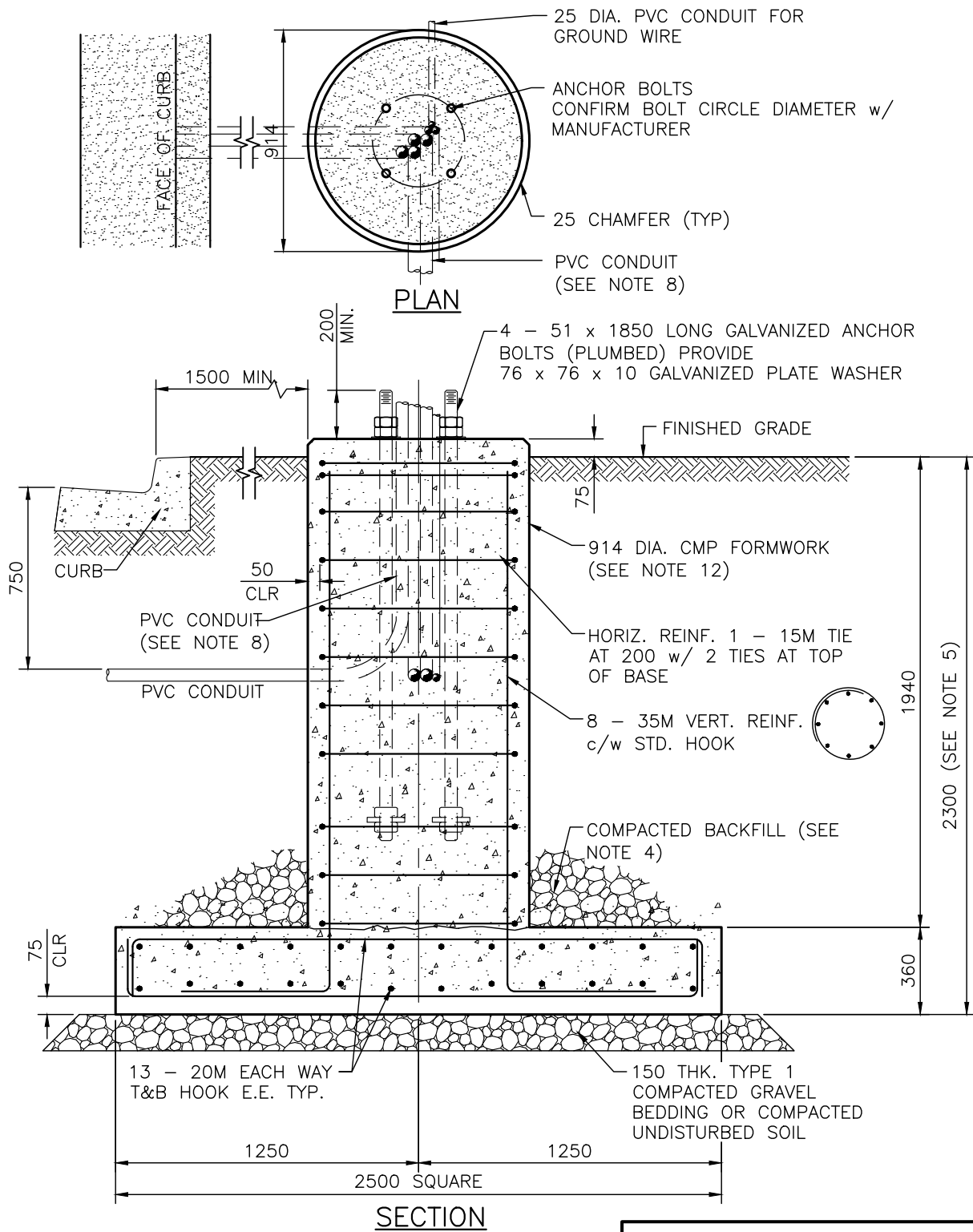
1. SEE HRM 68N3, SELECTION GUIDE, FOR PERMITTED POLES AND TRAFFIC SIGNAL EQUIPMENT.
2. FOR NOTES REFER TO HRM 68N2.
3. DIMENSIONS ARE IN MILLIMETRES.

**HALIFAX**

**STANDARD DETAIL**

**TRAFFIC SIGNAL BASE FOR CONFIGURATION Z, AA AND AB**

DATE:	2021	REFERENCE	APPROVED
SCALE:	1:25		FIG No.: <b>HRM 74</b>



**NOTES:**

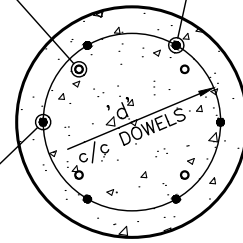
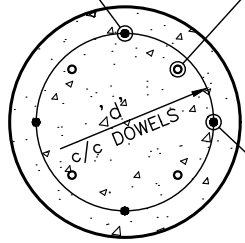
1. SEE HRM 68N3, SELECTION GUIDE, FOR PERMITTED POLES AND TRAFFIC SIGNAL EQUIPMENT.
2. FOR NOTES REFER TO HRM 68N2.
3. DIMENSIONS ARE IN MILLIMETRES.

HALIFAX		
STANDARD DETAIL		
TRAFFIC SIGNAL BASE FOR CONFIGURATION AC, AD AND AE		
DATE:	REFERENCE	APPROVED
2021		
SCALE:		FIG No.:
1:25		HRM 74A

DOWELS PLACED AT 90 DEG.

ANCHOR BOLTS (TYP.)

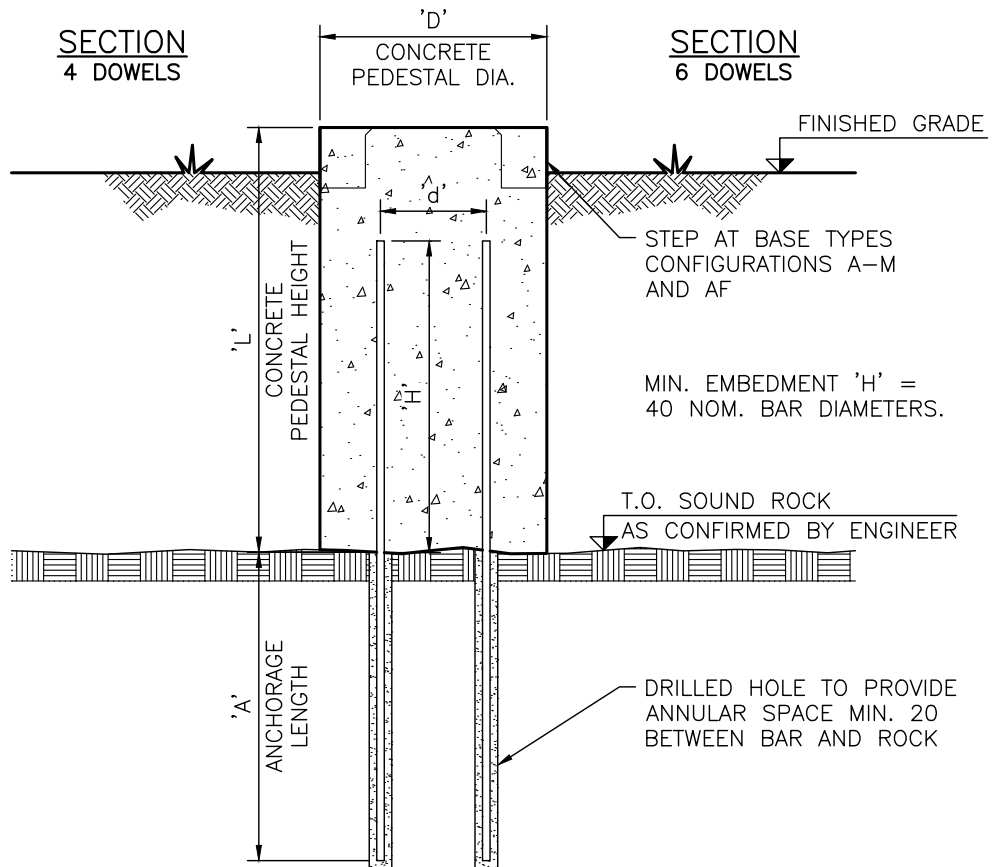
DOWELS PLACED AT 60 DEG.



DOWELS (TYP.) DESIGN BASED ON COVER TO DOWELS = 80

**SECTION**  
4 DOWELS

**SECTION**  
6 DOWELS



**NOTE:**

1. SEE HRM 74B.2 FOR ANCHORAGE DETAILS.
2. PEDESTAL REINFORCING NOT SHOWN FOR CLARITY.
3. ANCHOR BOLTS TO BE DESIGNED BY AND STAMPED BY AN ENGINEER LICENSED TO PRACTICE IN NS.

**HALIFAX**

**STANDARD DETAIL**

**FOUNDATION REVISIONS  
FOR DOWELING INTO ROCK**

DATE:	2021	REFERENCE	APPROVED
SCALE:	1:25		FIG No.: HRM 74B.1

ANCHORAGE SCHEDULE					
REF. DWG.	'L' MIN.	'D'	'd'	'A' MIN	DOWELS
68	1200	610	425	2500	4 – 25M
69	1200	760	575	2500	4 – 25M
70, 71, 71A	1300	760	570	3000	4 – 30M
72, 72A	1500	760	565	3500	4 – 35M
73, 73A	1800	760	565	3500	6 – 35M
74, 74A	1800	910	715	4000	6 – 35M
74X	1300	760	570	3000	4 – 30M

NOTES:

1. SOUND ROCK TO BE CONFIRMED BY ENGINEER.
2. MIN. LENGTH 'L' IS REQUIRED TO SUIT LENGTH OF ANCHOR BOLTS.
3. DRILLED HOLE IN ROCK TO BE CLEAN AND DRY BEFORE GROUTING. GROUT TO BE MASTERFLOW 816 CABLE GROUT OR APPROVED EQUAL, INSTALLED IN ACCORDANCE WITH MANUFACTURER'S DIRECTIONS.
4. THIS DRAWING TO BE USED IN CONJUNCTION WITH HRM 74B.1.
5. ANCHOR BOLTS TO BE DESIGNED BY AND STAMPED BY AN ENGINEER LICENSED TO PRACTICE IN NS.

**HALIFAX**

STANDARD DETAIL

**FOUNDATION REVISIONS  
FOR DOWELING INTO ROCK**

DATE:	2021	REFERENCE	APPROVED
SCALE:	NTS		FIG No.: <b>HRM 74B.2</b>

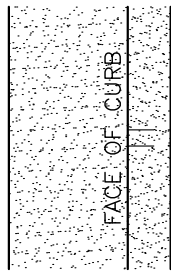
25 DIA. PVC CONDUIT\*\*  
FOR GROUND WIRE

ANCHOR BOLTS  
CONFIRM BOLT CIRCLE DIAMETER w/  
MANUFACTURER

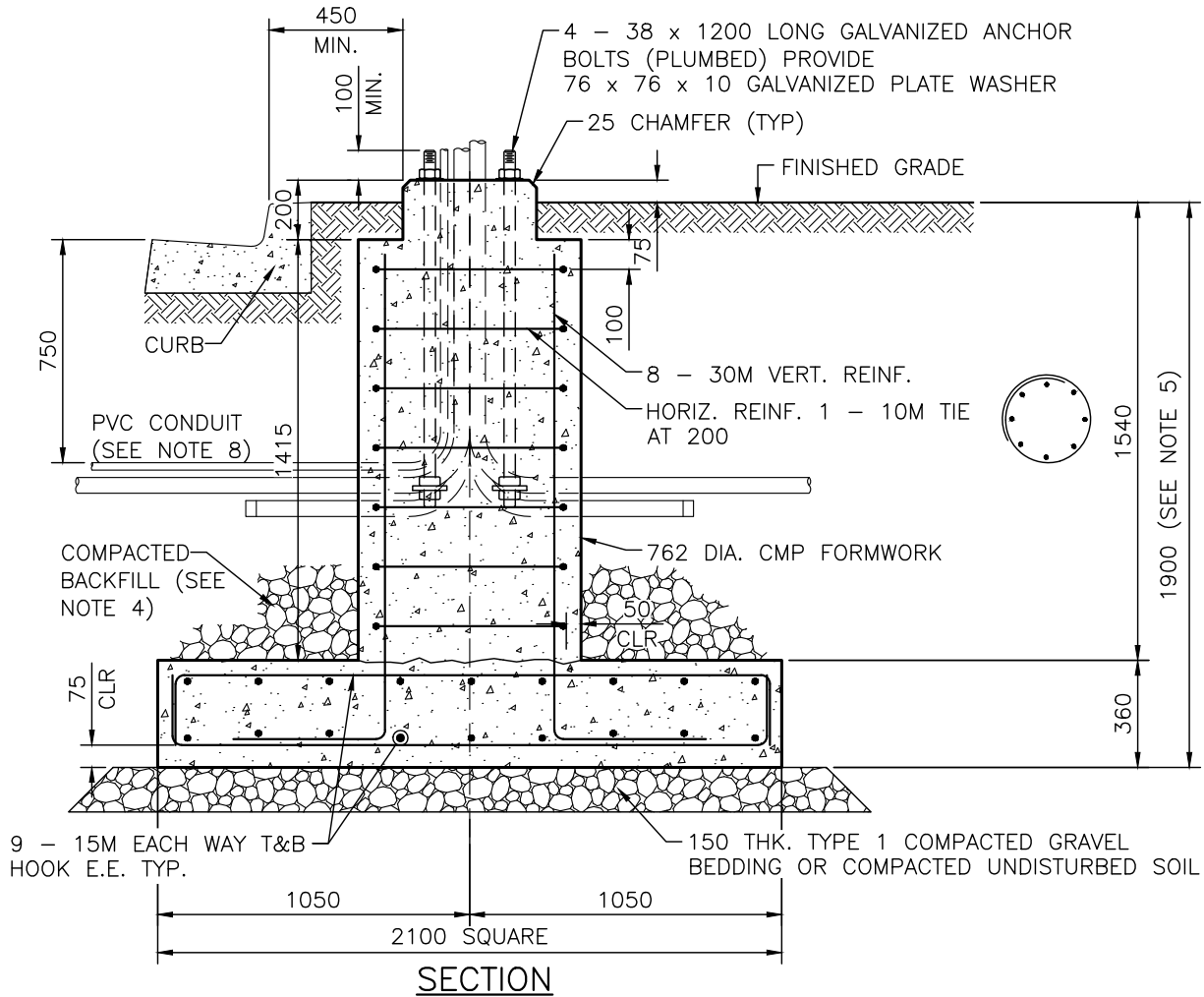
450 x 450 (OR 500 x 500) BASE  
CAP MUST BE SQUARE WITH CURB  
LINES AND POURED MONOLITHIC WITH  
BASE

53 DIA. PVC CONDUIT (SEE NOTE 8)

SPARE 53 DIA. PVC  
CONDUIT\*\* (CAPPED)



PLAN



SECTION

**NOTES:**

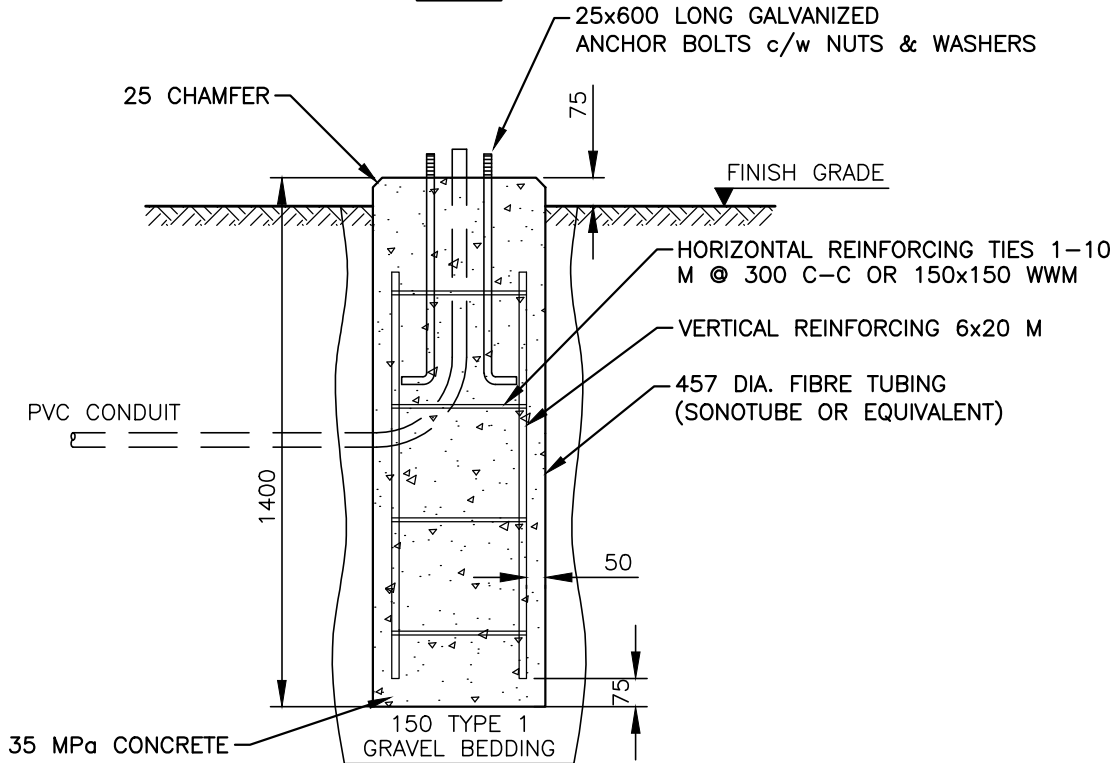
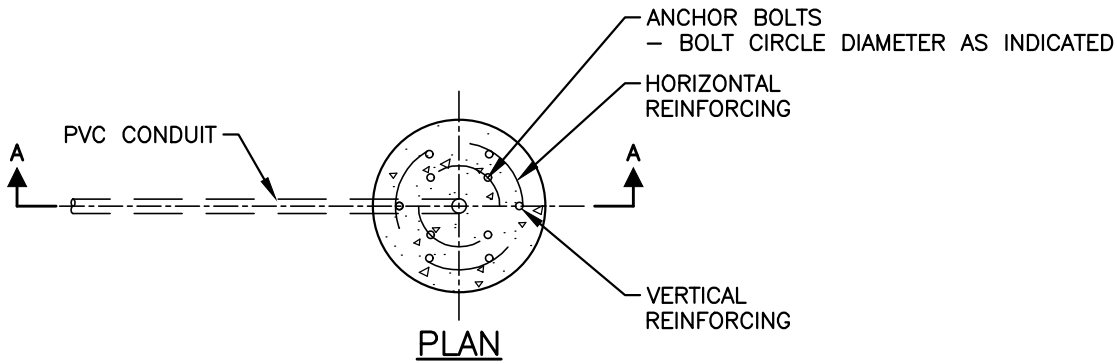
1. SEE HRM 68N3, SELECTION GUIDE, FOR PERMITTED POLES AND TRAFFIC SIGNAL EQUIPMENT.
2. FOR NOTES REFER TO HRM 68N2.
3. DIMENSIONS ARE IN MILLIMETRES.

**HALIFAX**

STANDARD DETAIL

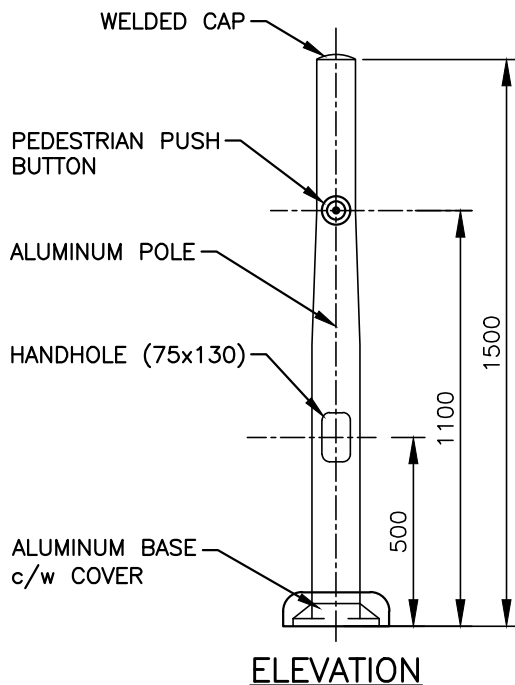
TRAFFIC SIGNAL BASE  
FOR CONFIGURATION AF

DATE:	2021	REFERENCE	APPROVED
SCALE:	1:25		FIG No.: <b>HRM 74X</b>



**NOTES:**

1. WHEN INSTALLED FOR ON STREET CYCLIST USE, PUSH BOTTOM HEIGHT TO BE 1100 mm FROM THE STREET SURFACE.
2. PROPOSED PVC CONDUIT SIZE AND CONFIGURATION INDICATED ON DRAWINGS.
3. ALL CONCRETE MUST BE PLACED IN A SINGLE POUR.
4. DIMENSIONS ARE IN MILLIMETRES.

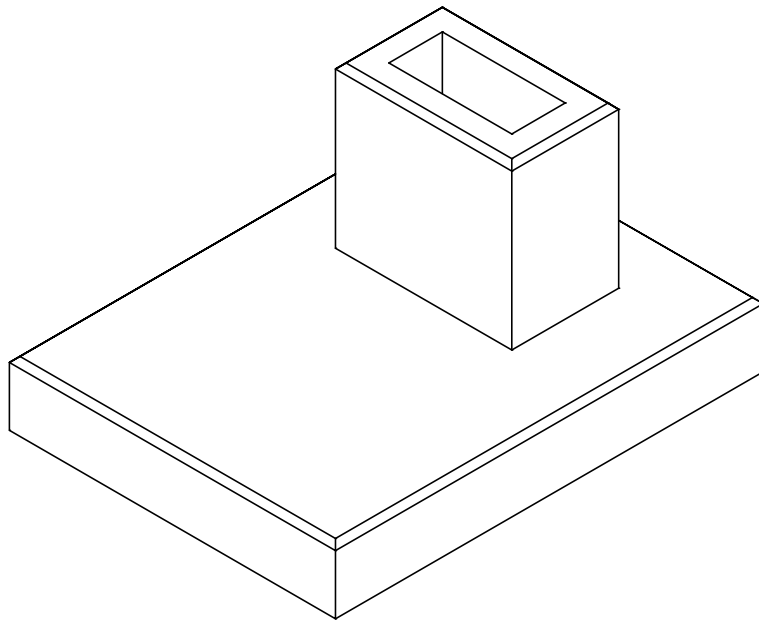


**HALIFAX**

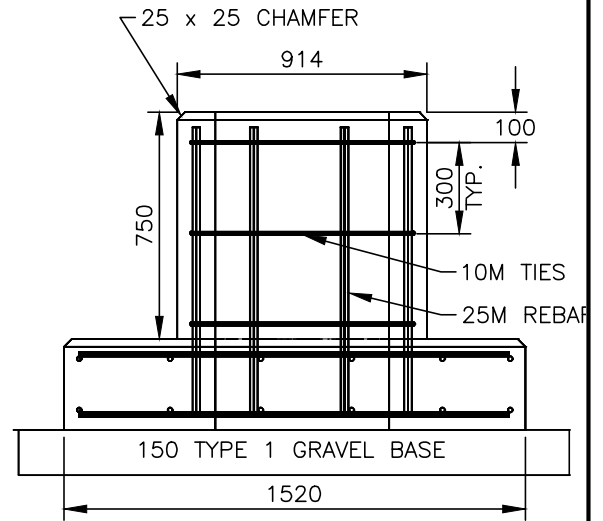
STANDARD DETAIL

**PEDESTRIAN & CYCLIST PUSH  
BUTTON POLE & BASE**

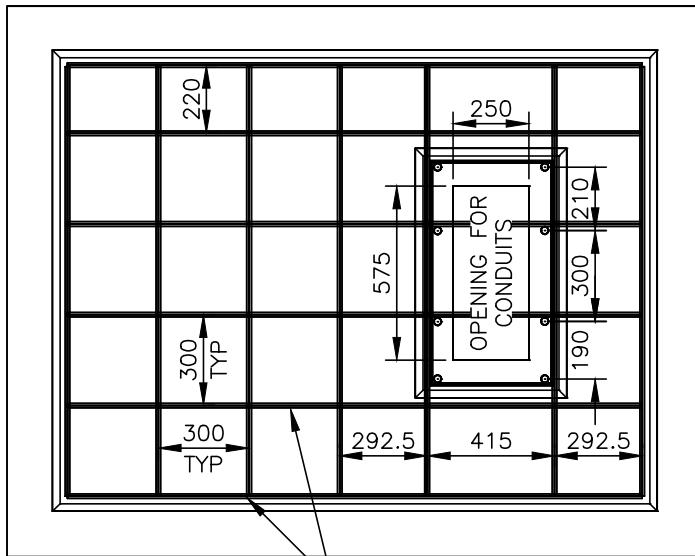
DATE:	2021	REFERENCE	APPROVED
SCALE:	1:20		FIG No.: <b>HRM 75</b>



ISOMETRIC VIEW



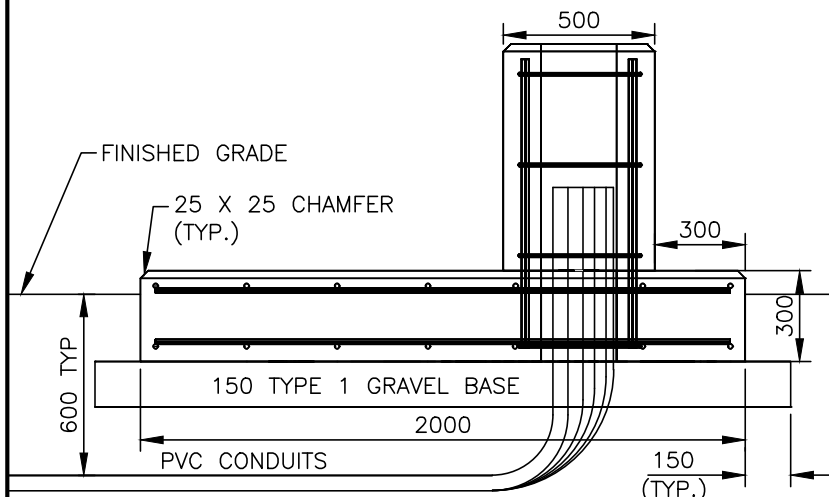
SIDE VIEW



TOP VIEW

NOTES:

1. ALL CONCRETE SHALL BE 35 MPa.
2. PROVIDE MIN. 50 COVER FOR ALL REBAR.
3. PROVIDE GROUNDING FOR CABINET.
4. IN ADDITION TO CONDUIT SPECIFIED ON DRAWINGS, PROVIDE 2-50 mm DIA. PVC CONDUIT AND STUB OUTSIDE OF BASE.
5. ALL CONDUIT AND FITTINGS SHALL BE TO CANADIAN ELECTRICAL CODE.
6. PROVIDE 20 mm x 100 mm STAINLESS STEEL THREADED RODS TO CONNECT CONTROLLER CABINET.
7. ALL DIMENSIONS IN MILLIMETRES.
8. TYPE 1 GRAVEL BASE SHALL EXTEND MIN. 150 mm BEYOND EDGE OF BASE PAD.



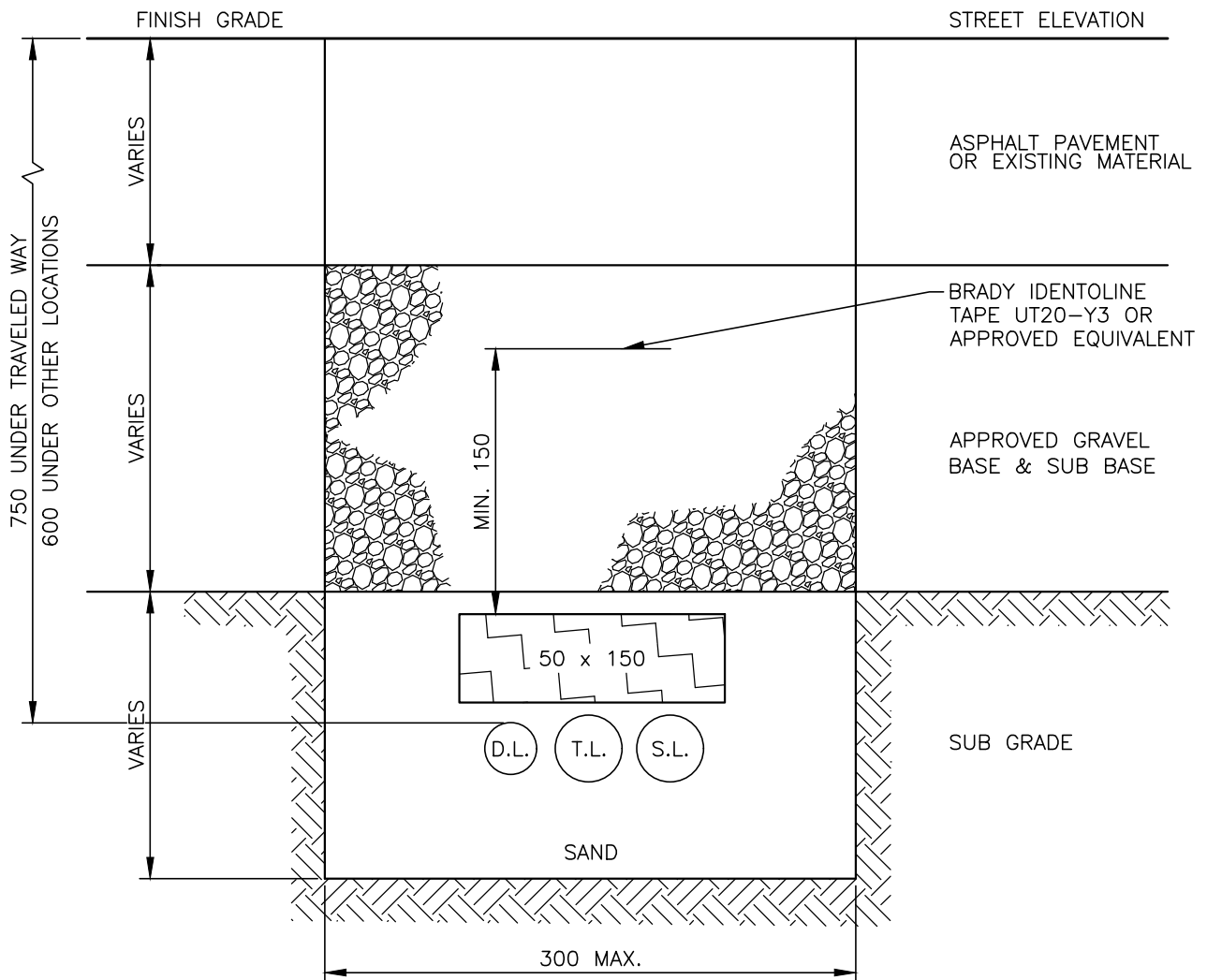
FRONT VIEW

**HALIFAX**

STANDARD DETAIL

**BASE MOUNTED TRAFFIC  
SIGNAL CONTROLLER CABINET**

DATE:	2021	REFERENCE	APPROVED
SCALE:	NTS		FIG No.: HRM 76



SIZE AND CONFIGURATION OF PVC CONDUIT INDICATED ON DRAWINGS

**NOTES:**

1. 50 mm x 150 mm WOOD PLANK TO BE PRESSURE TREATED WOOD.
2. "CAUTION BURIED ELECTRICAL LINE" TAPE TO BE PLACED OVER CONDUIT 150 mm TO 250 mm BELOW FINISHED GRADE.
3. SURROUND SAND WITH GEOTEXTILE SEPARATOR IN AREAS OF HIGH GROUNDWATER MOVEMENT (PERVIOUS SUB GRADE).

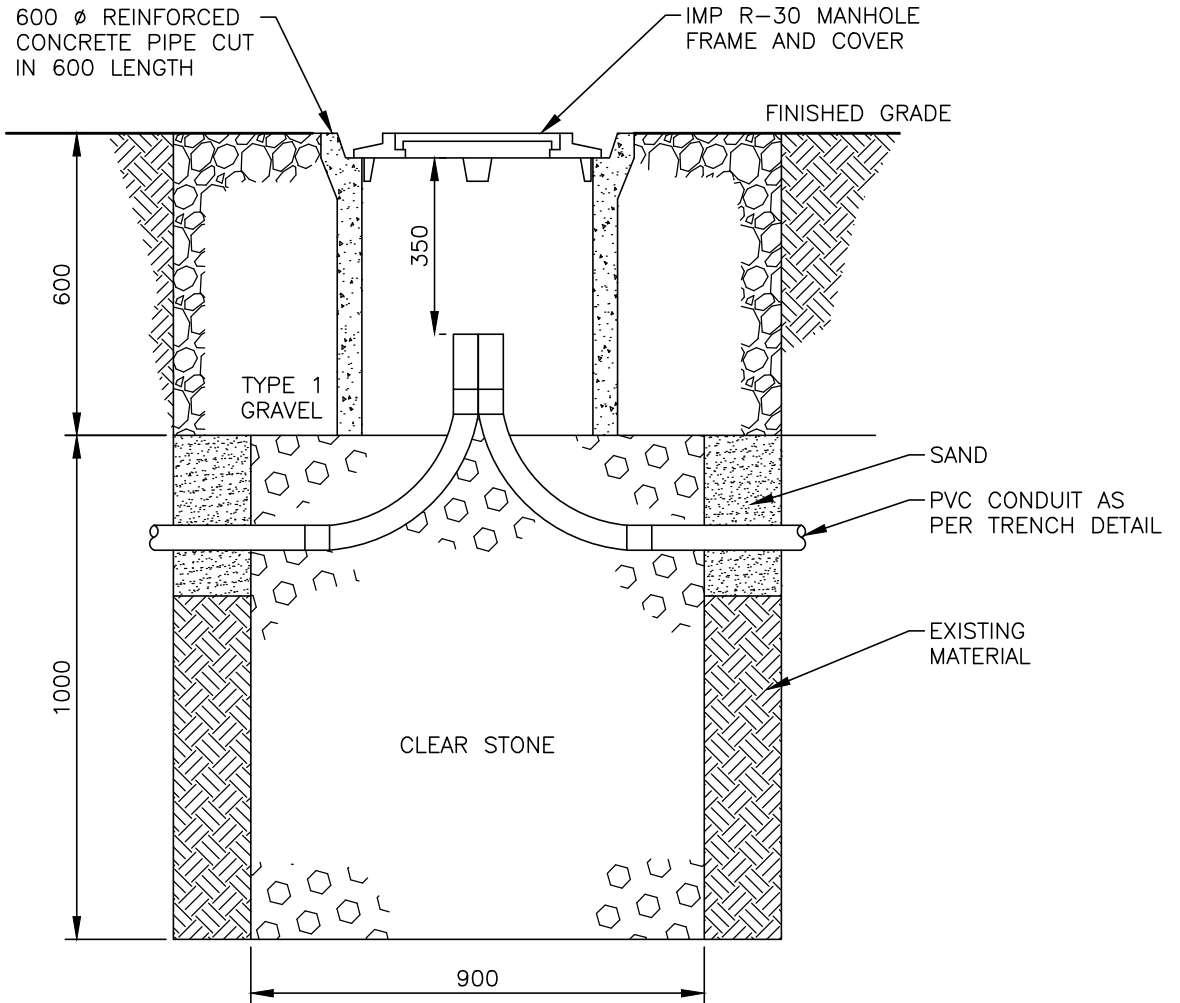
**HALIFAX**

STANDARD DETAIL

**UNDERGROUND CONDUIT**

DATE:	2021	REFERENCE	APPROVED
SCALE:	NTS		FIG No.: <b>HRM 78</b>



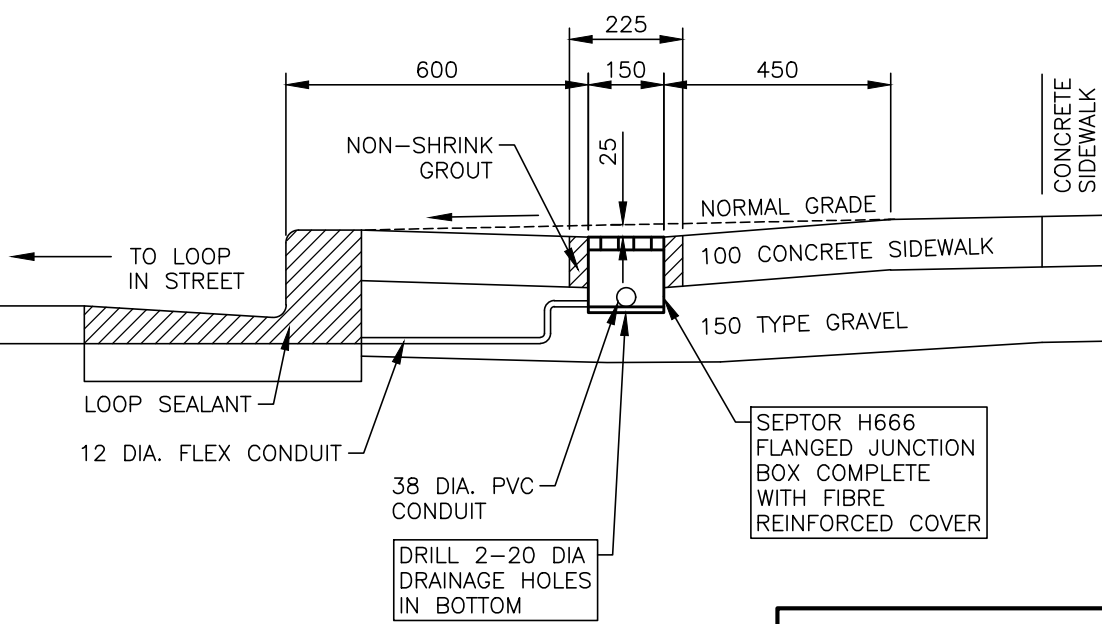
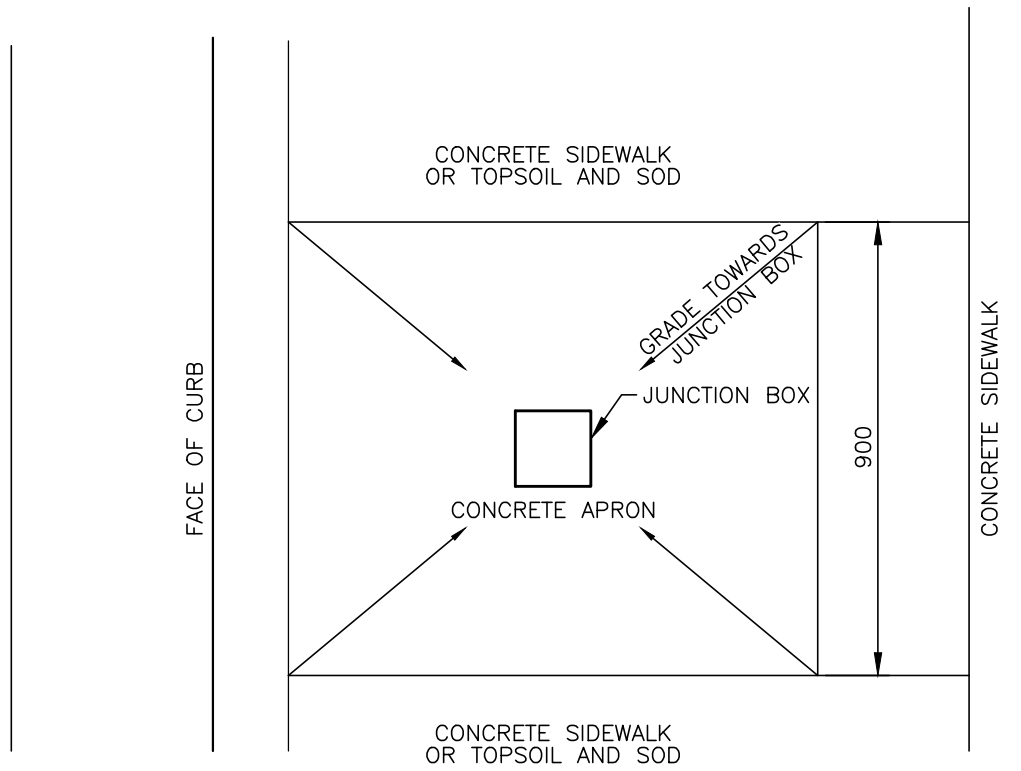


# HALIFAX

STANDARD DETAIL

PULL PIT

DATE:	2021	REFERENCE	APPROVED
SCALE:	1:15		FIG No.: HRM 79



**NOTES:**

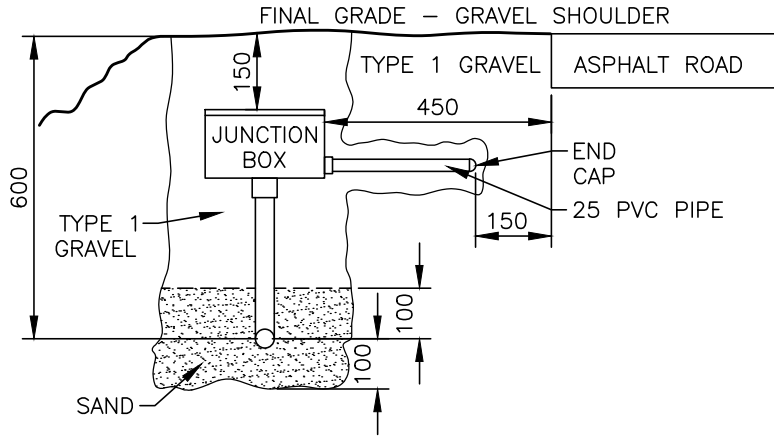
1. WHERE A TYPE A JUNCTION BOX – CONCRETE SIDEWALK IS TO BE INSTALLED NEXT TO A CURB WHERE THERE IS NO ADJACENT, A CONCRETE APRON IS NOT REQUIRED. THE JUNCTION BOX IS TO BE BURIED BENEATH THE TOPSOIL AND SOD.
2. ALL CONCRETE IS TO HAVE A MIN 35MP<sub>a</sub> STRENGTH.

# HALIFAX

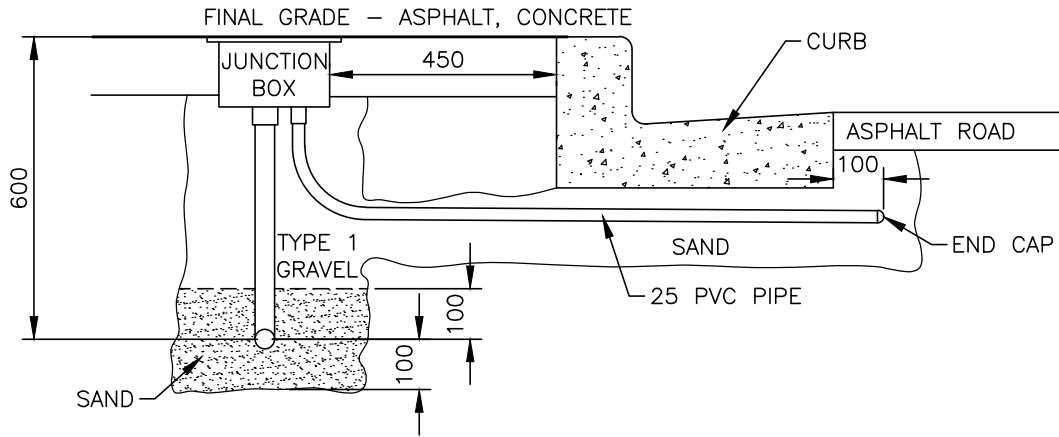
STANDARD DETAIL

## JUNCTION BOX TYPE "A"

DATE: 2021	REFERENCE	APPROVED
SCALE: NTS		FIG No.: <b>HRM 80</b>



**TYPE B**  
**JUNCTION BOX CROSS SECTION – NO CURB**  
**IPEX BRAND JB884 OR JB887 AS SPECIFIED**



**TYPE C**  
**JUNCTION BOX CROSS SECTION – SURFACE MOUNT**  
**IPEX BRAND H884 OR H887 AS SPECIFIED**

**NOTES:**

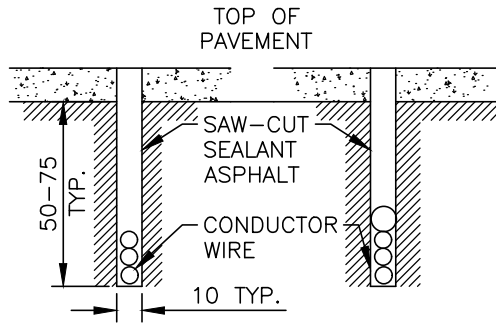
1. WHERE A JUNCTION BOX IS TO BE INSTALLED NEXT TO A CURB WHERE THERE IS NO ADJACENT SIDEWALK, A CONCRETE APRON IS NOT REQUIRED. THE JUNCTION BOX IS TO BE BURIED BENEATH THE TOPSOIL AND SOD.
2. ALL CONCRETE IS TO HAVE A MIN 35MPa STRENGTH.

**HALIFAX**

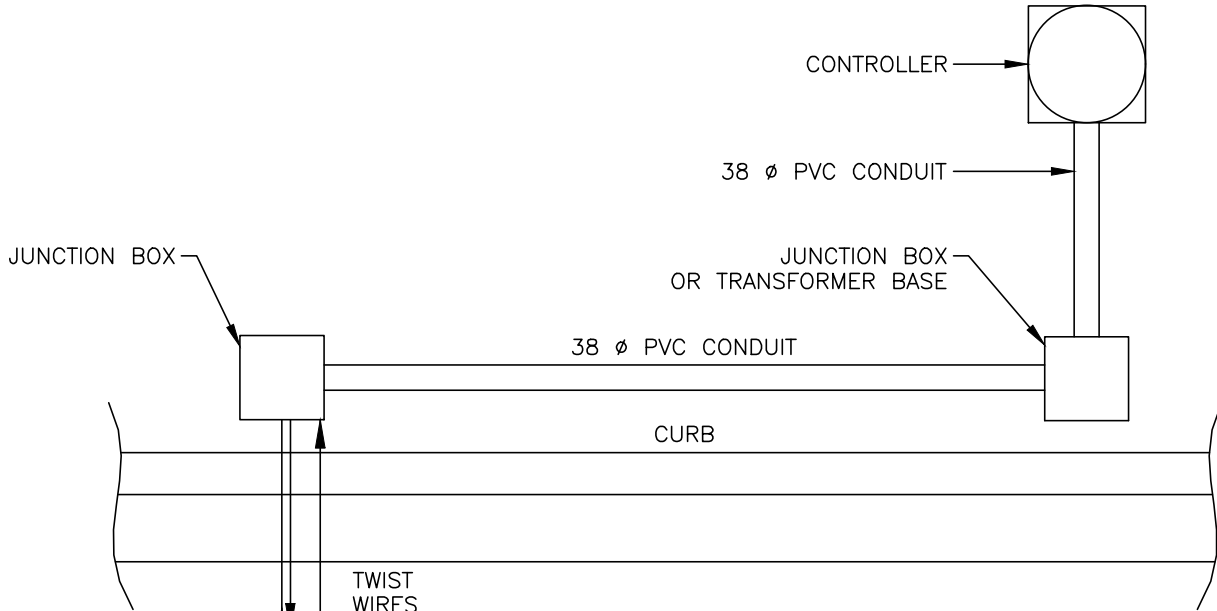
STANDARD DETAIL

**JUNCTION BOX**  
**TYPE "B" & "C"**

DATE:	2021	REFERENCE	APPROVED
SCALE:	NTS		FIG No.: HRM 81



**TYPICAL SAW-CUT  
CROSS SECTION**



**PLAN VIEW**

LOOP AREA (L X W) SQ. METRES	NO. OF TURNS
0.5 TO 1.0	6
1.0 TO 2.0	5
2.0 TO 5.5	4
5.5 TO 22.0	3
22.0 PLUS	2

**NOTES:**

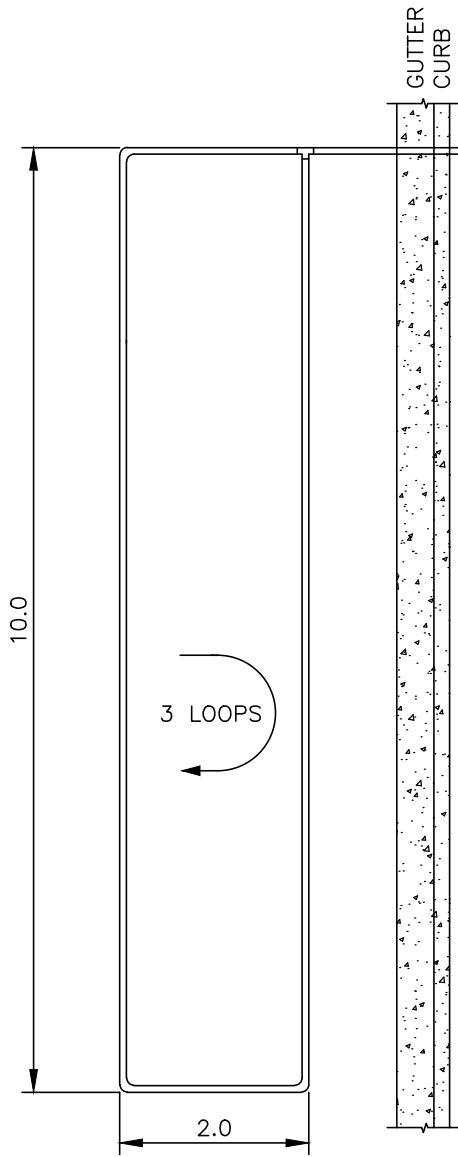
1. UNLESS OTHERWISE DIRECTED BY ENGINEER, LAY LOOPS IN A CLOCKWISE DIRECTION.
2. DEPTH OF SAW CUT TO BE CONSTANT AND PROVIDE A MINIMUM OF 50 mm COVER OVER TOP OF WIRE.

**HALIFAX**

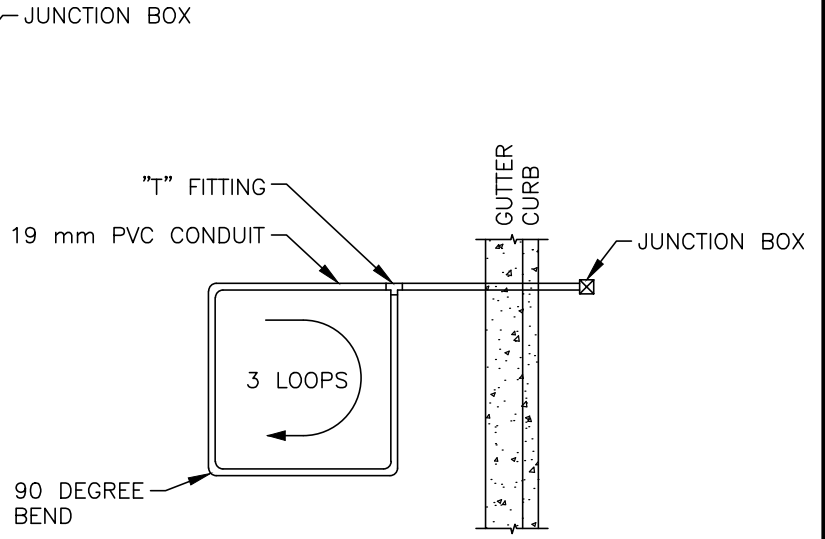
STANDARD DETAIL

**DETECTOR LOOP  
SAW CUT**

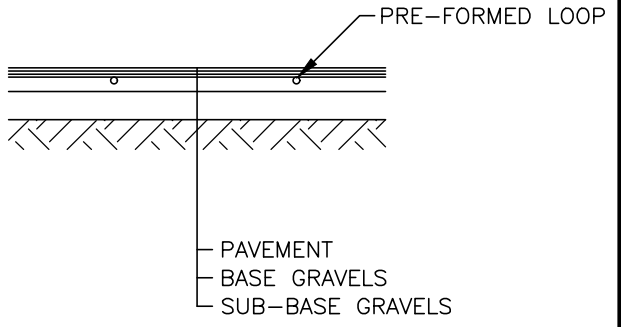
DATE:	2021	REFERENCE	APPROVED
SCALE:	NTS		FIG No.: <b>HRM 82</b>



TYPICAL 2 X 10 PRE-FORMED LOOP



TYPICAL PRE-FORMED LOOP



TYPICAL CROSS SECTION

NOTE:

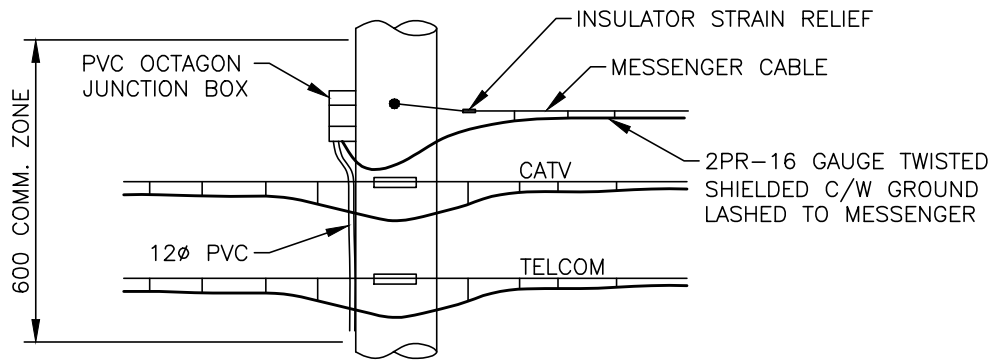
ALL PVC CONNECTIONS BETWEEN PREFORMED LOOP AND JUNCTION BOX ARE TO BE MADE PRIOR TO PAVING. ANY DAMAGE TO THE PVC OR LOOP WIRES PRIOR TO PAVING WILL BE CAUSE TO REJECT THE LOOP.

**HALIFAX**

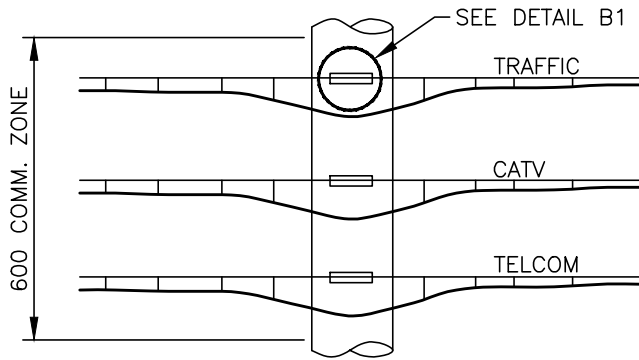
STANDARD DETAIL

**PREFORMED  
DETECTOR LOOP**

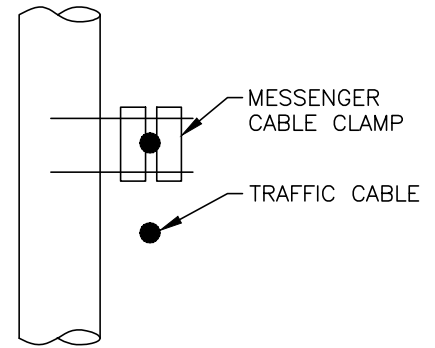
DATE:	2021	REFERENCE	APPROVED
SCALE:	NTS		FIG No.: <b>HRM 83</b>



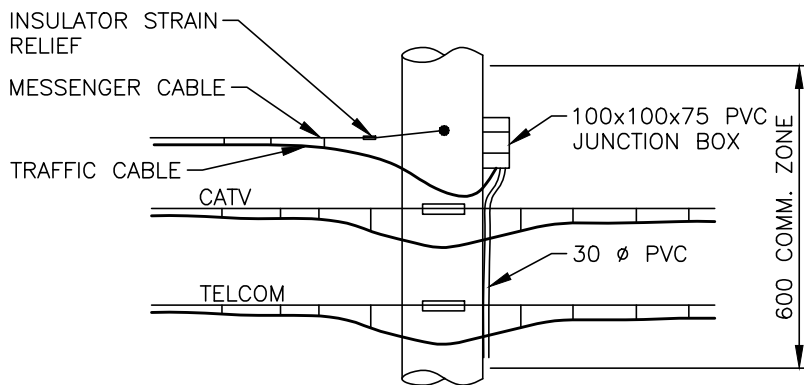
**DETAIL 'A'**  
 LOOP POLE



**DETAIL 'B'**  
 MID RUN SUPPORT



**DETAIL 'B1'**  
 SUPPORT BRACKET



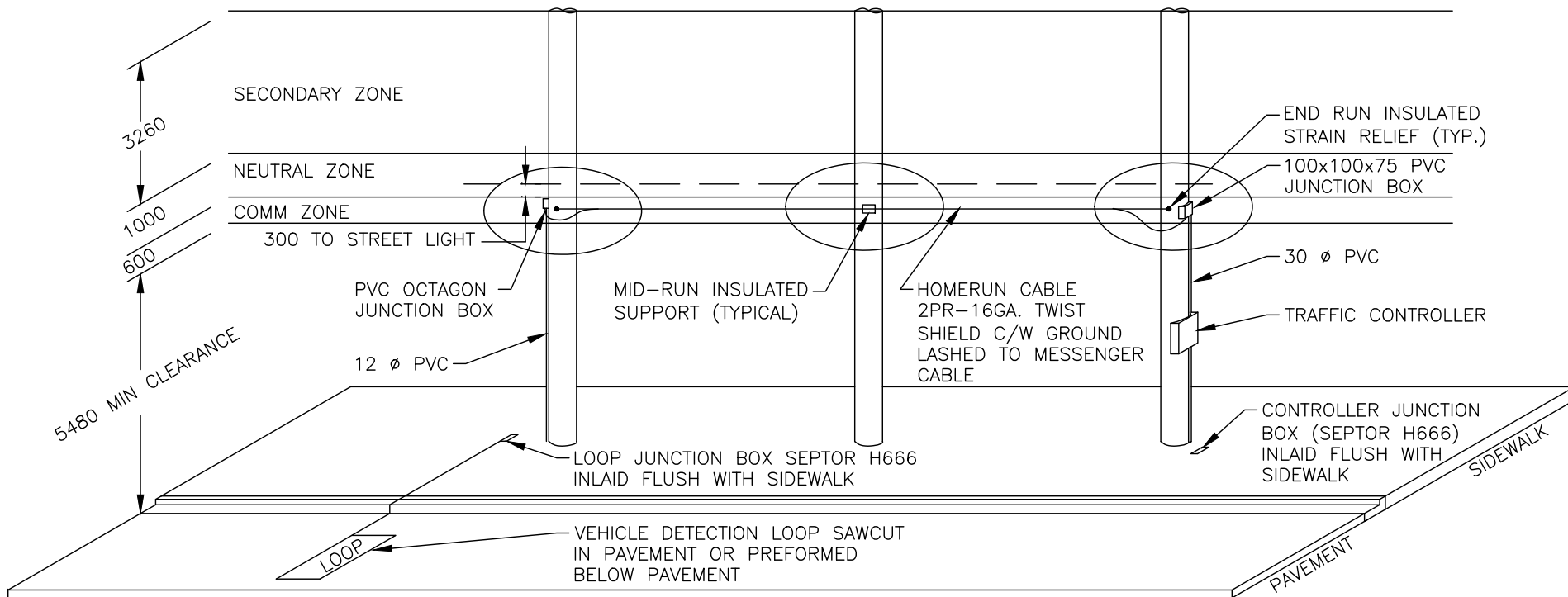
**DETAIL 'C'**  
 CONTROLLER POLE

**HALIFAX**

STANDARD DETAIL

**POLE MOUNT DETAILS FOR  
 DETECTOR LOOP INSTALLATION**

DATE:	2021	REFERENCE	APPROVED
SCALE:	NTS		FIG No.: HRM 84

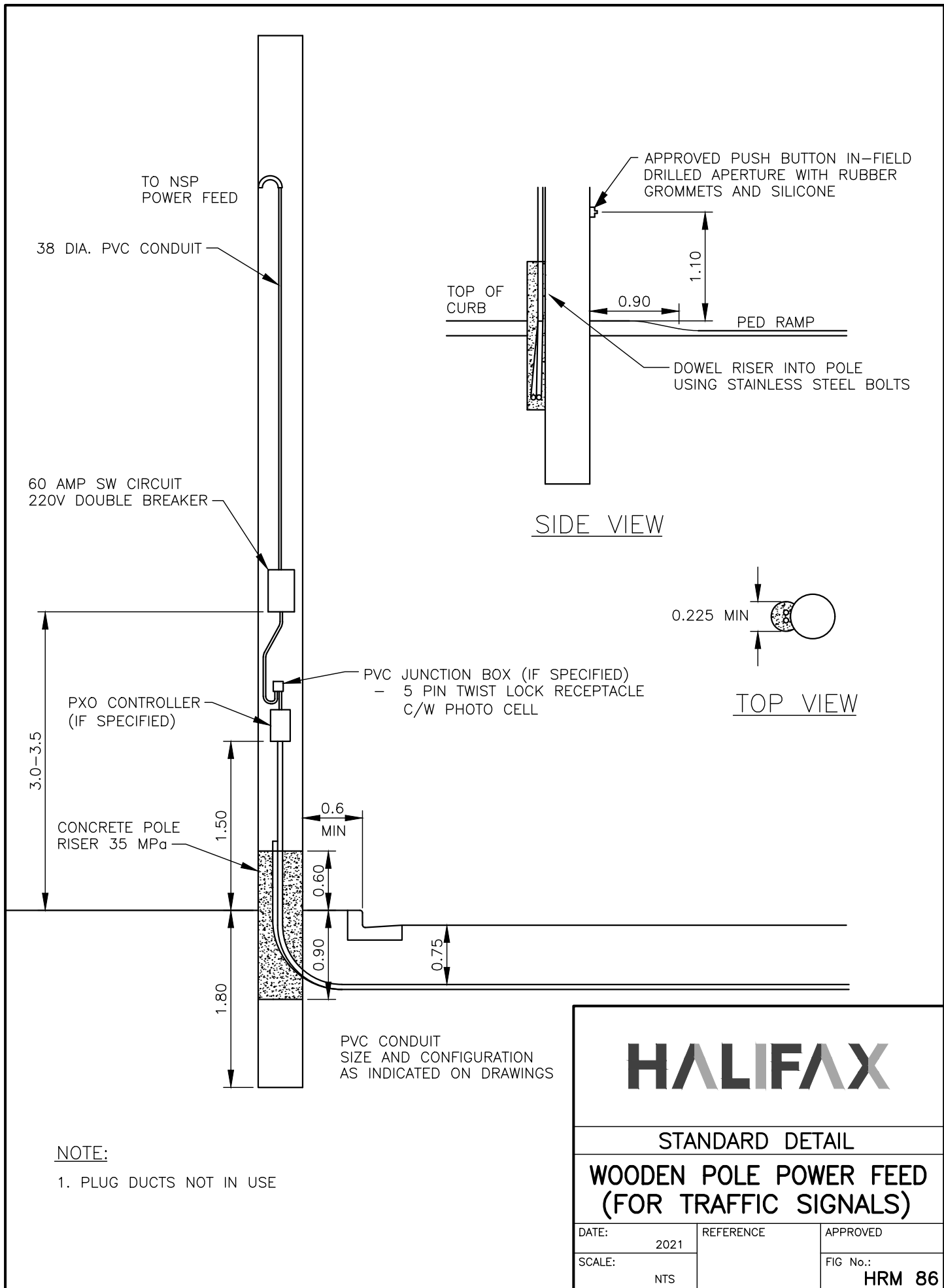


# HALIFAX

STANDARD DETAIL

POLE MOUNT  
HOME RUN

DATE:	2021	REFERENCE	APPROVED
SCALE:	NTS		FIG No.: <b>HRM 85</b>

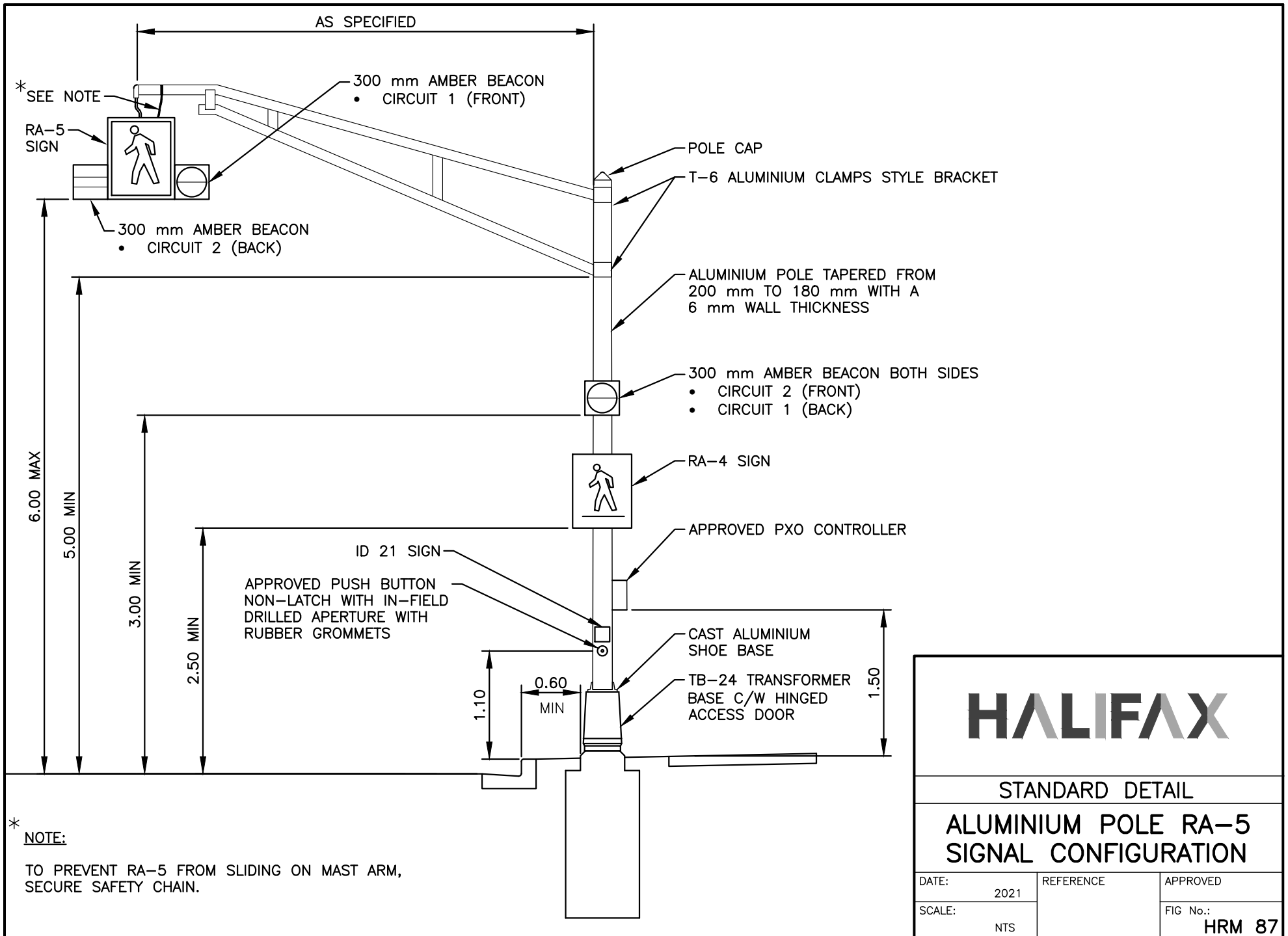


**NOTE:**

1. PLUG DUCTS NOT IN USE

<b>HALIFAX</b>		
<b>STANDARD DETAIL</b>		
<b>WOODEN POLE POWER FEED (FOR TRAFFIC SIGNALS)</b>		
DATE:	REFERENCE	APPROVED
2021		
SCALE:		FIG No.:
NTS		<b>HRM 86</b>



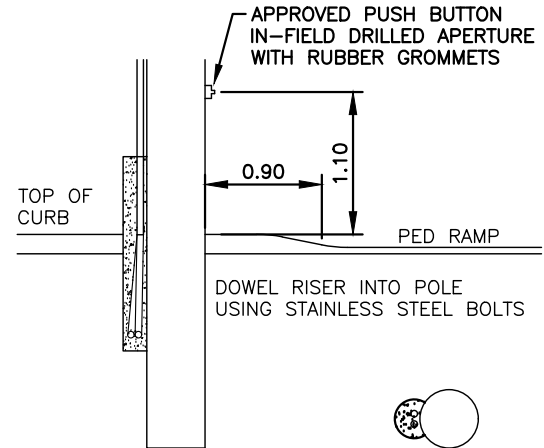
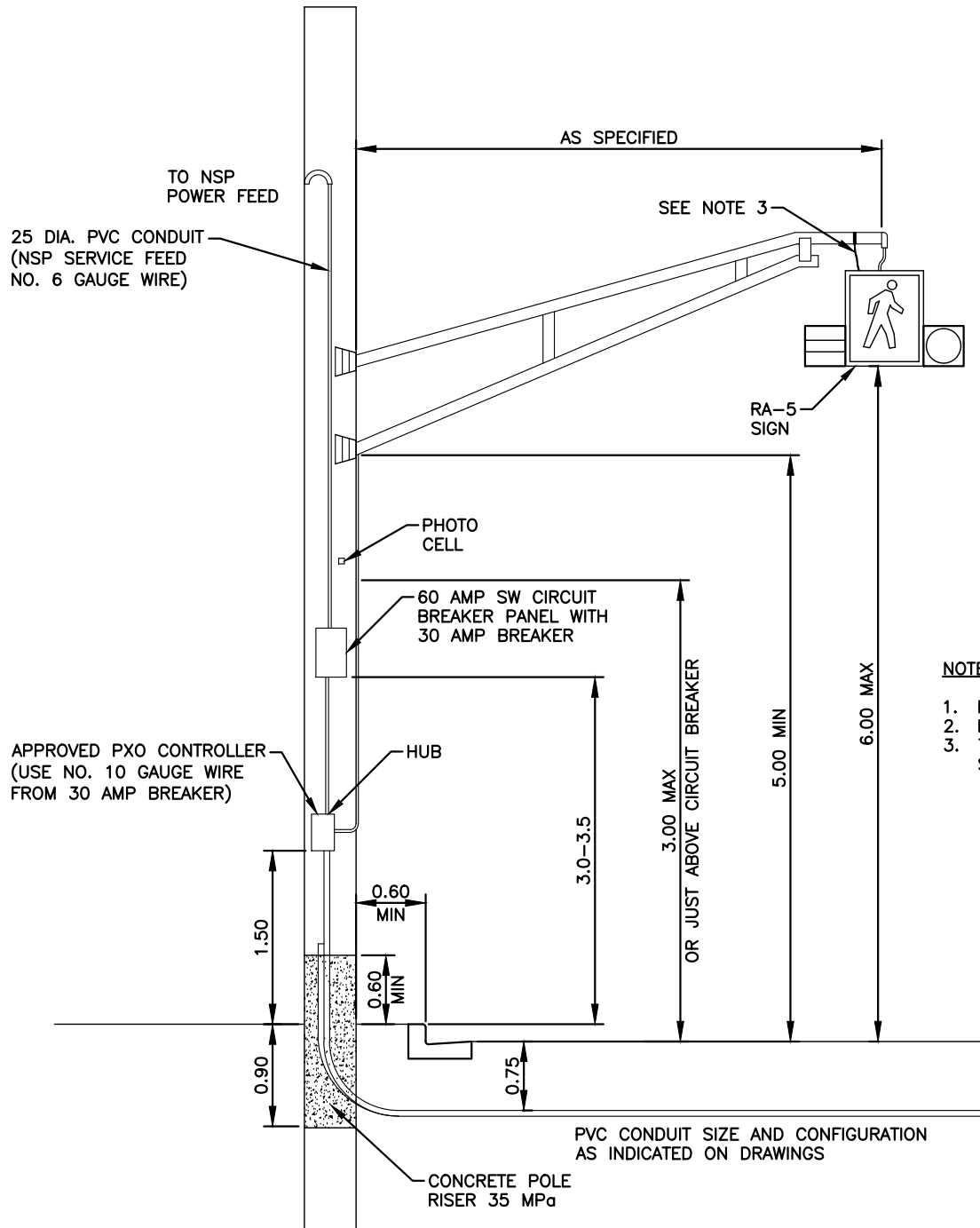


# HALIFAX

STANDARD DETAIL

## ALUMINIUM POLE RA-5 SIGNAL CONFIGURATION

DATE:	2021	REFERENCE	APPROVED
SCALE:	NTS	FIG No.:	HRM 87



SIDE VIEW TOP VIEW

**NOTES:**

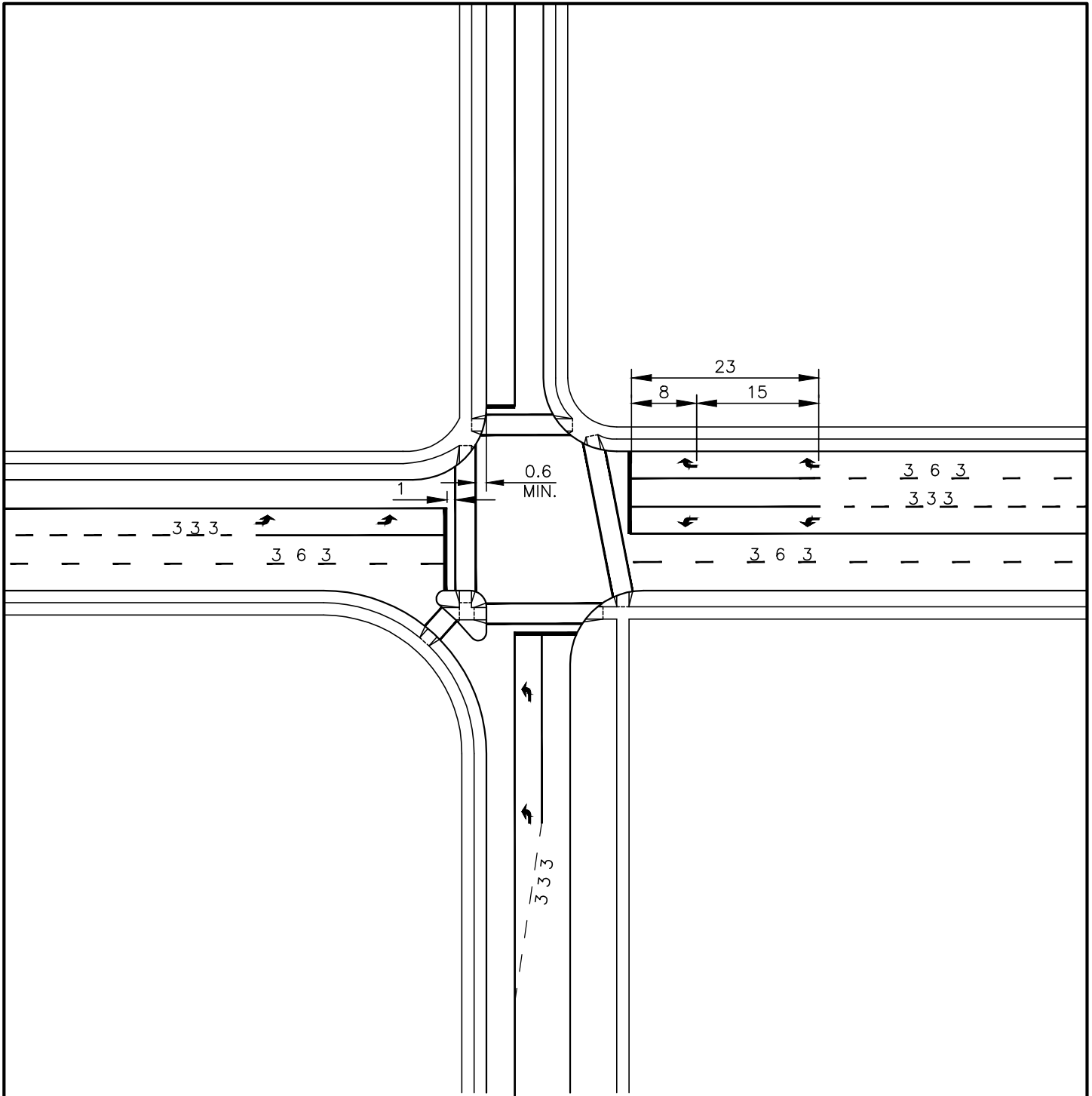
1. PLUG DUCTS NOT IN USE
2. INSTALL MUTCD ID21 SIGN JUST ABOVE PUSH BUTTON
3. TO PREVENT RA-5 FROM SLIDING ON MAST ARM, SECURE SAFETY CHAIN.

# HALIFAX

**STANDARD DETAIL**

**WOODEN POLE RA-5  
TRAFFIC SIGNAL WITH POWER  
FEED CONFIGURATION**

DATE:	2021	REFERENCE
SCALE:	NTS	APPROVED
		FIG No.:
		<b>HRM 88</b>



**NOTES:**

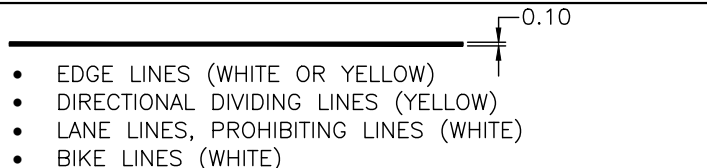
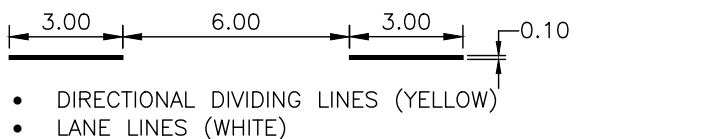
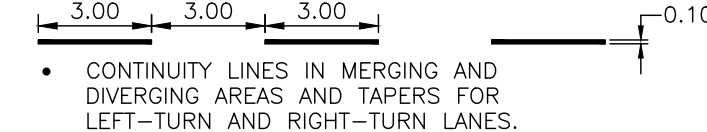
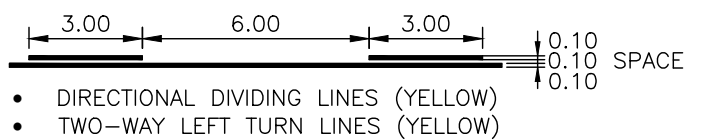

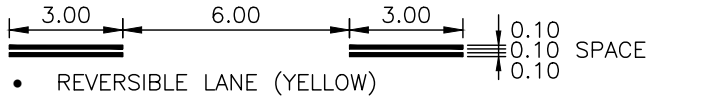

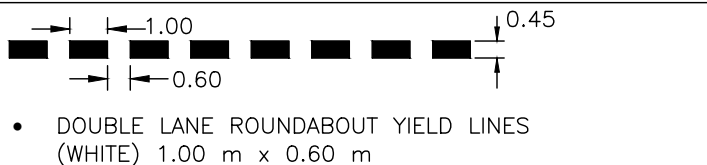
1. ALL PAVEMENT MARKINGS SHALL BE IN ACCORDANCE WITH HRM STANDARD DETAILS.
2. WHEN REQUIRED, THIRD AND SUBSEQUENT ARROWS TO BE SPACED AT 15.0 m INTERVALS.

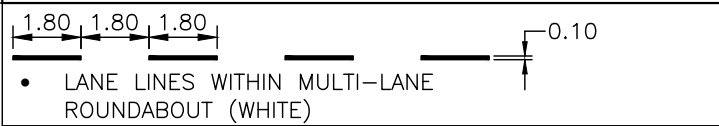
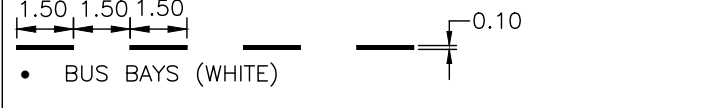
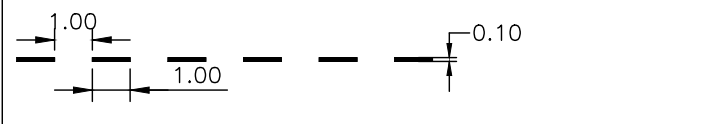
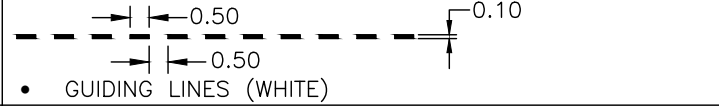
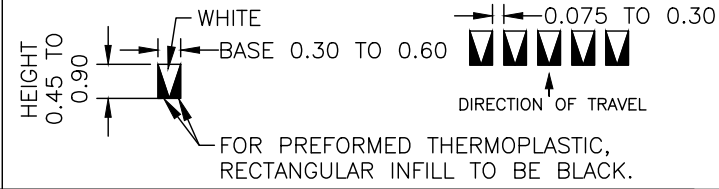

**HALIFAX**

STANDARD DETAIL

**STANDARD INTERSECTION  
PAVEMENT MARKING LAYOUT**

DATE:	2021	REFERENCE	APPROVED
SCALE:	NTS		FIG No.: <b>HRM 89</b>

NAME OF LINE	
SOLID	 <ul style="list-style-type: none"> <li>EDGE LINES (WHITE OR YELLOW)</li> <li>DIRECTIONAL DIVIDING LINES (YELLOW)</li> <li>LANE LINES, PROHIBITING LINES (WHITE)</li> <li>BIKE LINES (WHITE)</li> </ul>
3 m x 6 m BROKEN	 <ul style="list-style-type: none"> <li>DIRECTIONAL DIVIDING LINES (YELLOW)</li> <li>LANE LINES (WHITE)</li> </ul>
3 m x 3 m	 <ul style="list-style-type: none"> <li>CONTINUITY LINES IN MERGING AND DIVERGING AREAS AND TAPERS FOR LEFT-TURN AND RIGHT-TURN LANES.</li> </ul>
SIMULTANEOUS SOLID & BROKEN	 <ul style="list-style-type: none"> <li>DIRECTIONAL DIVIDING LINES (YELLOW)</li> <li>TWO-WAY LEFT TURN LINES (YELLOW)</li> </ul>
DOUBLE SOLID	 <ul style="list-style-type: none"> <li>DIRECTIONAL DIVIDING LINES (YELLOW)</li> </ul>
DOUBLE BROKEN 3 m x 6 m	 <ul style="list-style-type: none"> <li>REVERSIBLE LANE (YELLOW)</li> </ul>
YIELD	 <ul style="list-style-type: none"> <li>SINGLE LANE ROUNDABOUT YIELD LINES (WHITE) 0.60 m x 0.60 m</li> </ul>
	 <ul style="list-style-type: none"> <li>DOUBLE LANE ROUNDABOUT YIELD LINES (WHITE) 1.00 m x 0.60 m</li> </ul>

NAME OF LINE	
1.8 m x 1.8 m	 <ul style="list-style-type: none"> <li>LANE LINES WITHIN MULTI-LANE ROUNDABOUT (WHITE)</li> </ul>
1.5 m x 1.5 m	 <ul style="list-style-type: none"> <li>BUS BAYS (WHITE)</li> </ul>
DASHED 1.0 m x 1.0 m	
0.5 m x 0.5 m	 <ul style="list-style-type: none"> <li>GUIDING LINES (WHITE)</li> </ul>
ADVANCED YIELD TO PEDESTRIANS LINE	 <p>HEIGHT 0.45 TO 0.90</p> <p>WHITE</p> <p>BASE 0.30 TO 0.60</p> <p>0.075 TO 0.30</p> <p>DIRECTION OF TRAVEL</p> <p>FOR PREFORMED THERMOPLASTIC, RECTANGULAR INFILL TO BE BLACK.</p>
STOP BAR	 <ul style="list-style-type: none"> <li>INTERSECTION STOP BAR (WHITE)</li> </ul>

**NOTE:**

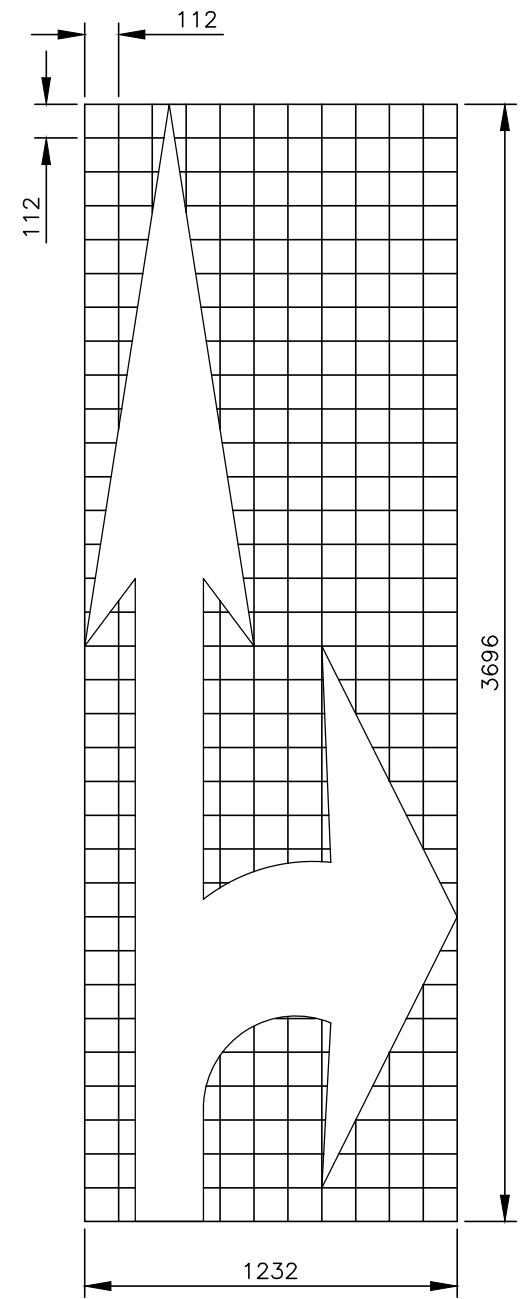
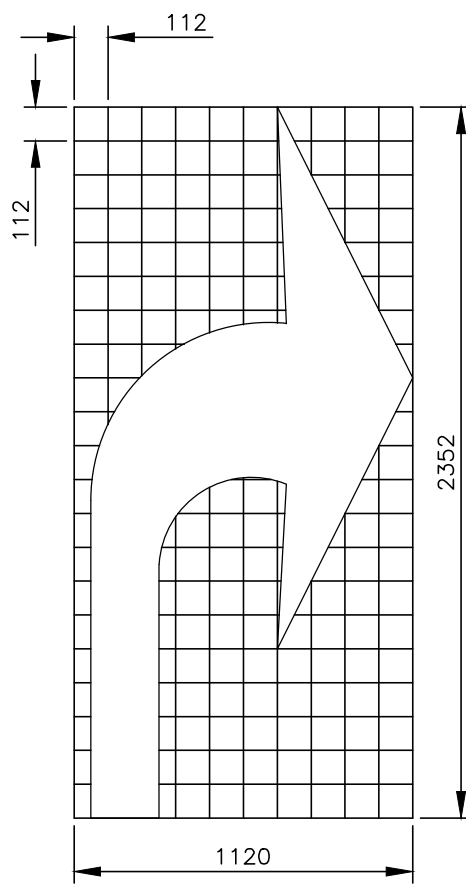
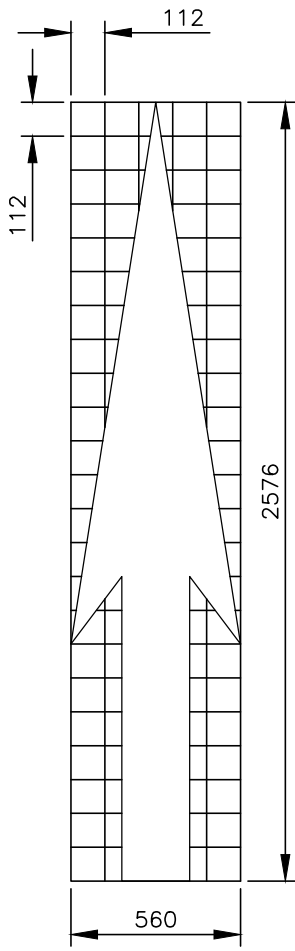
1. DIMENSIONS ARE IN METRES.

# HALIFAX

STANDARD DETAIL

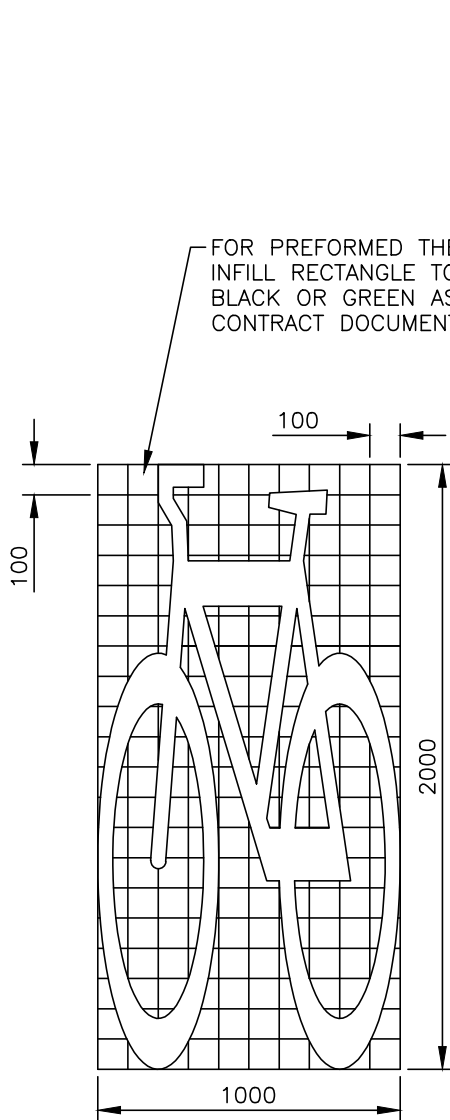
LONGITUDINAL & TRANSVERSE  
PAVEMENT MARKINGS

DATE:	2021	REFERENCE	APPROVED
SCALE:	NTS		FIG No.:
			HRM 90

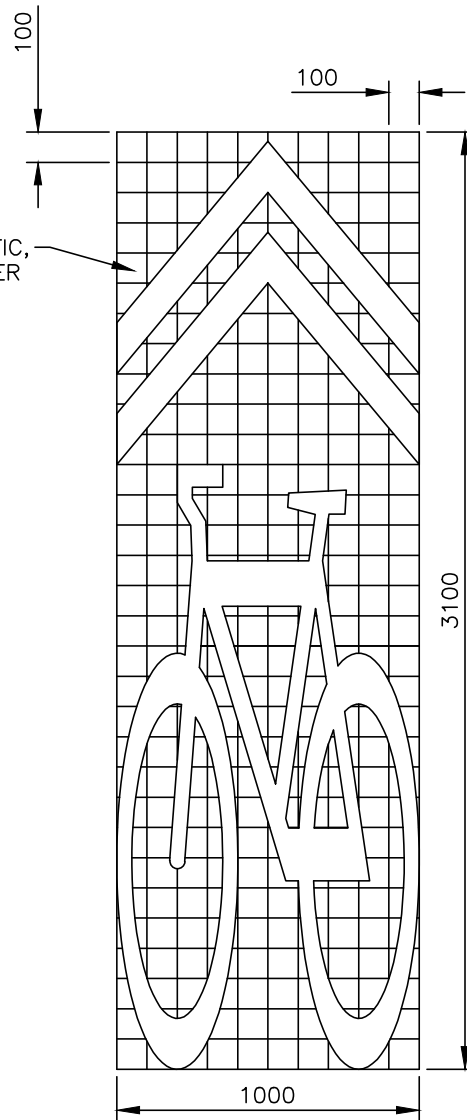


**NOTE:**  
 1. DIMENSIONS ARE IN MILLIMETRES.

<b>HALIFAX</b>		
STANDARD DETAIL		
PAVEMENT ARROWS		
DATE:	2021	REFERENCE
SCALE:	1:25	APPROVED
		FIG No.:
		<b>HRM 91</b>



**BICYCLE SYMBOL**



**SHARED USE LANE SYMBOL**

FOR PREFORMED THERMOPLASTIC,  
INFILL RECTANGLE TO BE EITHER  
BLACK OR GREEN AS PER  
CONTRACT DOCUMENTS.

**NOTE:**

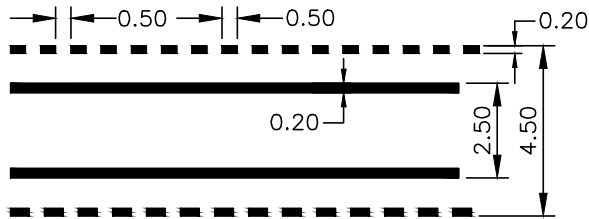
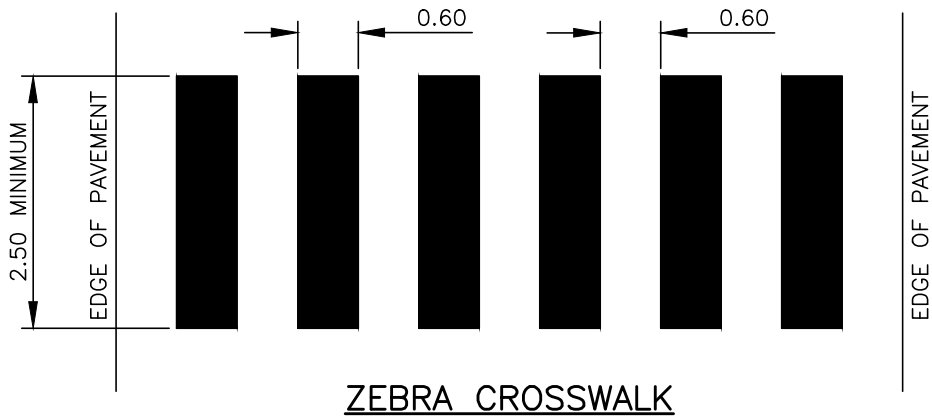
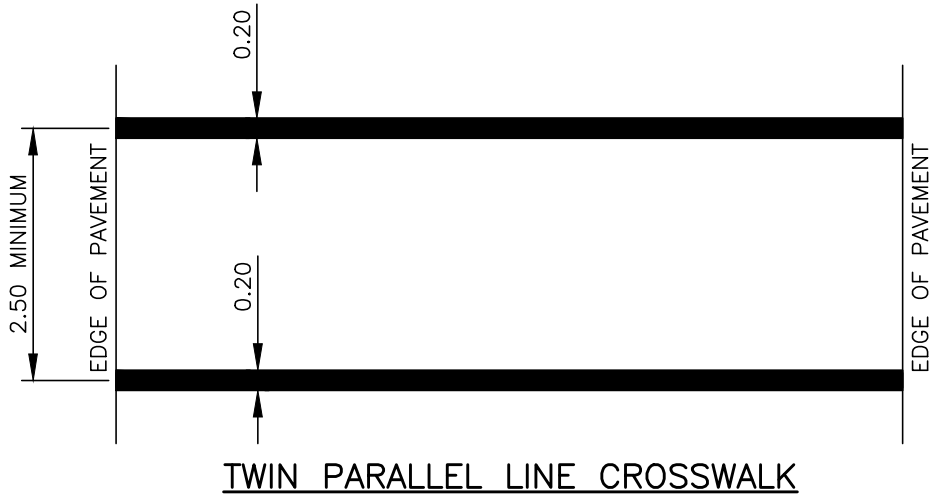
1. DIMENSIONS MAY BE SLIGHTLY ALTERED FOR THERMOPLASTIC IF APPROVED BY THE ENG.
2. DIMENSIONS ARE IN MILLIMETRES.

**HALIFAX**

STANDARD DETAIL

**BICYCLE SYMBOL &  
SHARED USE LANE SYMBOL**

DATE:	2021	REFERENCE	APPROVED
SCALE:	1:25		FIG No.: HRM 92

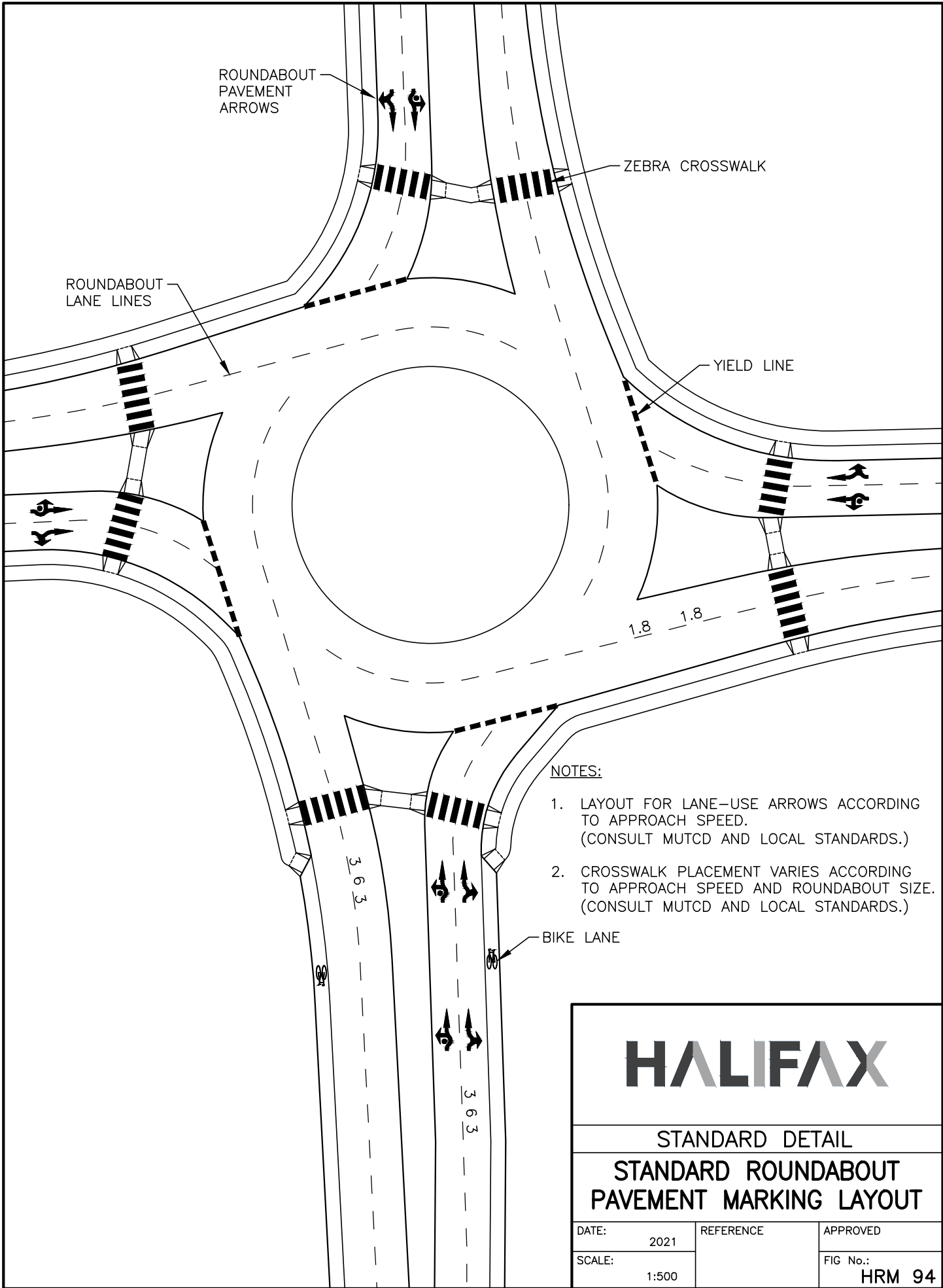


- 2.50 m WIDE CROSSWALK WITH 4.50 m WIDE TRAIL CROSSWALK

TRAIL CROSSING

NOTE:  
1. DIMENSIONS ARE IN METRES.

HALIFAX		
STANDARD DETAIL		
PEDESTRIAN & TRAIL CROSSING PAVEMENT MARKINGS		
DATE:	REFERENCE	APPROVED
2021		
SCALE:		FIG No.:
NTS		HRM 93

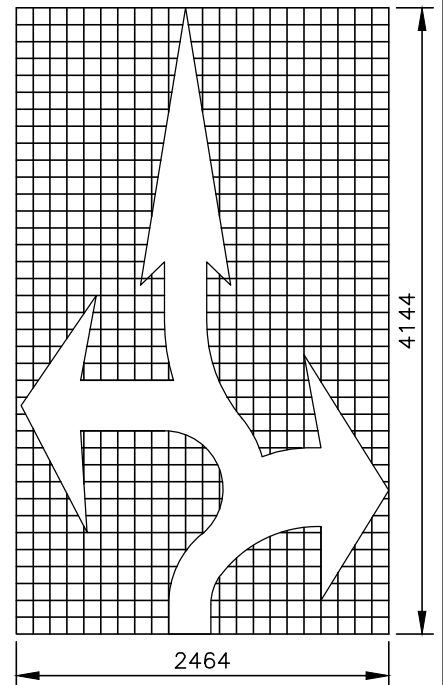
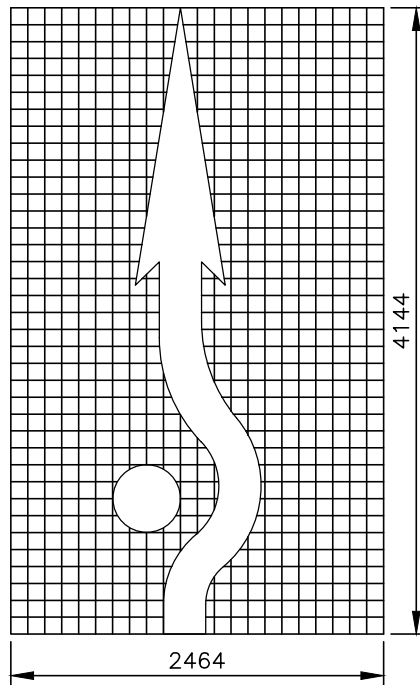
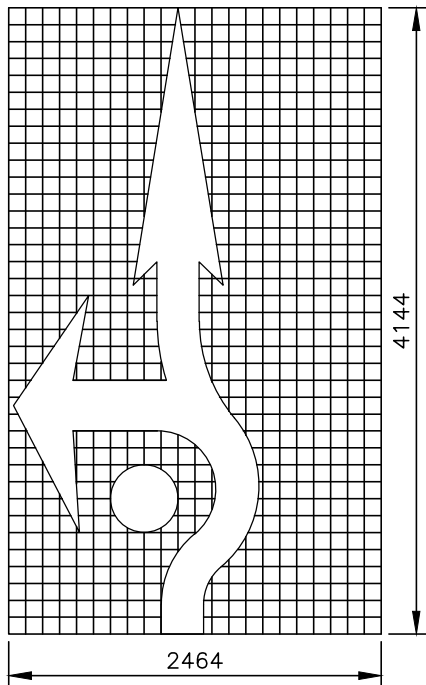
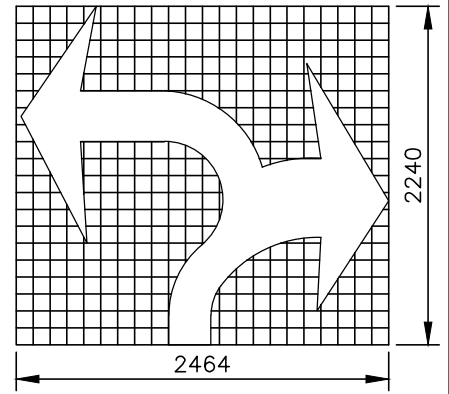
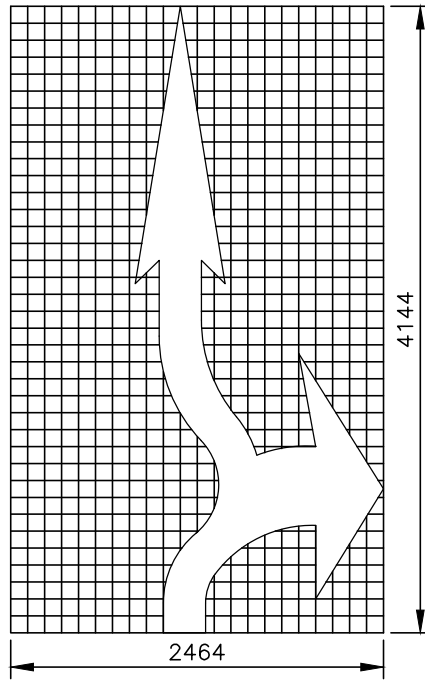
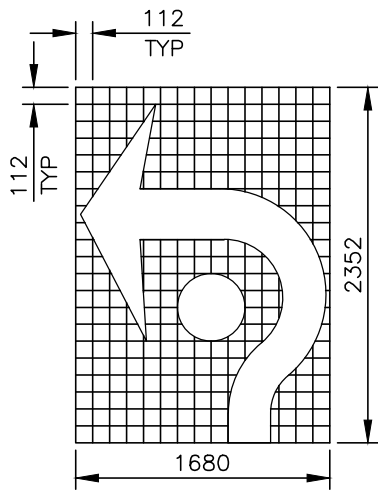


**NOTES:**

1. LAYOUT FOR LANE-USE ARROWS ACCORDING TO APPROACH SPEED. (CONSULT MUTCD AND LOCAL STANDARDS.)
2. CROSSWALK PLACEMENT VARIES ACCORDING TO APPROACH SPEED AND ROUNDABOUT SIZE. (CONSULT MUTCD AND LOCAL STANDARDS.)

<b>HALIFAX</b>		
STANDARD DETAIL		
<b>STANDARD ROUNDABOUT PAVEMENT MARKING LAYOUT</b>		
DATE:	2021	REFERENCE
SCALE:	1:500	APPROVED
		FIG No.:
		<b>HRM 94</b>





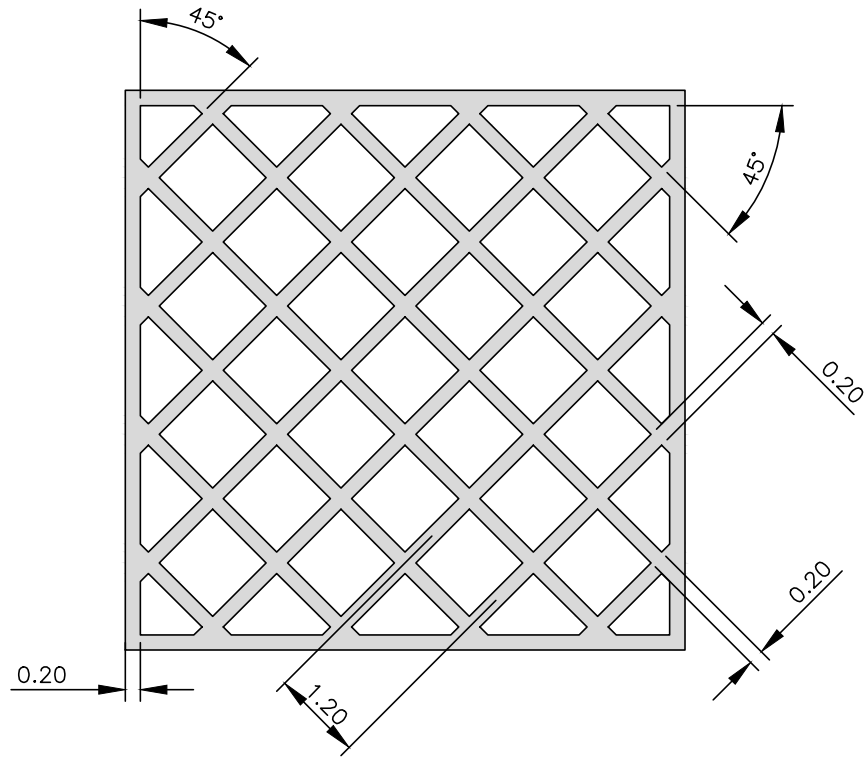
**NOTES:**  
 1. DIMENSIONS ARE IN MILLIMETRES.

# HALIFAX

STANDARD DETAIL

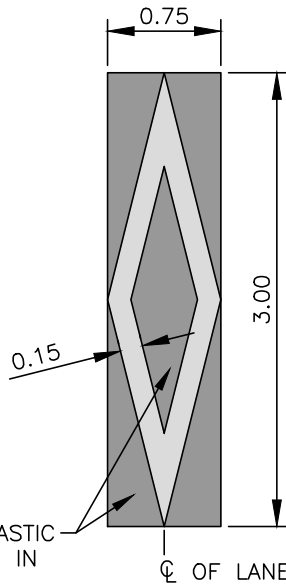
ROUNDBOUT  
 PAVEMENT ARROWS

DATE:	2021	REFERENCE	APPROVED
SCALE:	1:50		FIG No.: HRM 95



**INTERSECTION BOX**

SCALE: 1:100



IF THERMOPLASTIC  
THESE AREAS IN  
BLACK

C OF LANE

**RESERVED LANE**

SCALE: 1:50

NOTE:

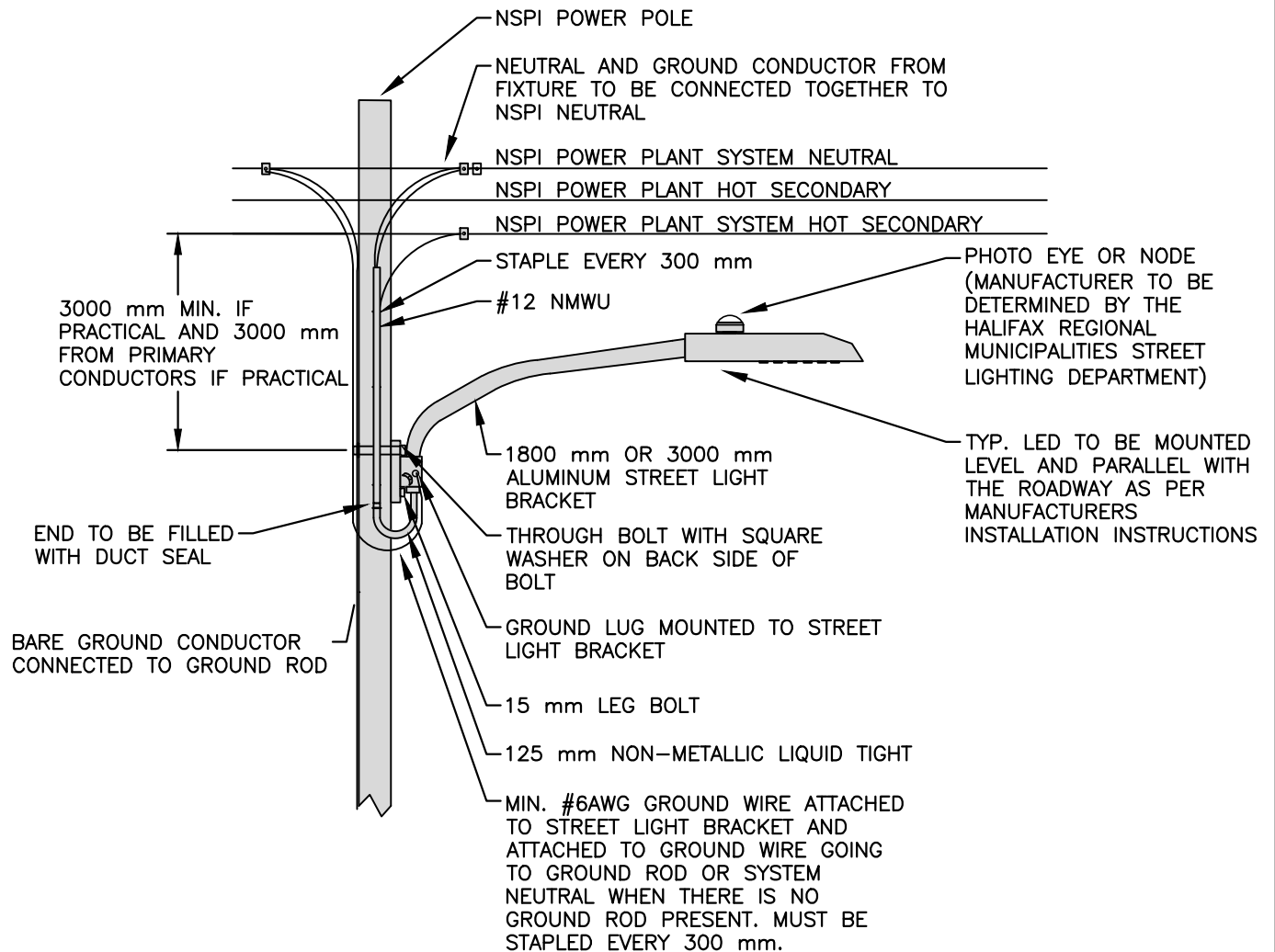
1. DIMENSIONS ARE IN METRES.

**HALIFAX**

STANDARD DETAIL

**SPECIAL  
PAVEMENT MARKINGS**

DATE:	2021	REFERENCE	APPROVED
SCALE:	AS NOTED	FIG No.:	HRM 96



**NOTES:**

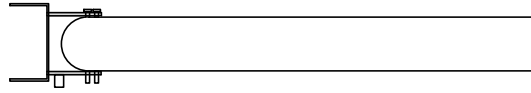
1. ALL WORK MUST BE IN COMPLIANCE WITH THE LATEST EDITION OF THE CANADIAN ELECTRICAL CODE.
2. ANY WORK DONE IN OR AROUND PRIMARY CONDUCTORS MUST BE PERFORMED BY A QUALIFIED PERSON AS PER HRM AND NSPI.
3. ANY FIXTURE BEING REPAIRED OR REPLACED MUST BE CONNECTED TO THE LINE IT IS TAKEN FROM.
4. ALL CONNECTIONS TO POWER NSPI POWER PLANT ARE TO BE MADE WITH TYCO KZ EP 4/0 PIERCING CONNECTORS.

**HALIFAX**

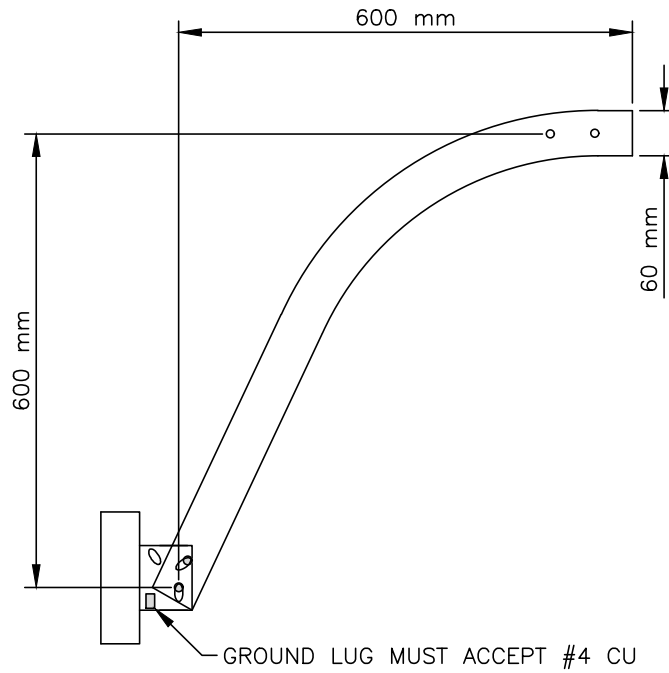
STANDARD DETAIL

**TYPICAL COBRAHEAD-LED  
ON A DAVIT ARM**

DATE:	2021	REFERENCE	APPROVED
SCALE:	NTS		FIG No.: <b>HRM 97</b>

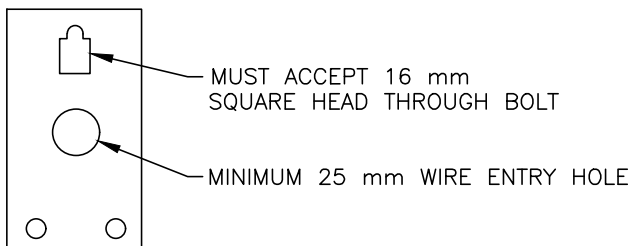


TOP VIEW



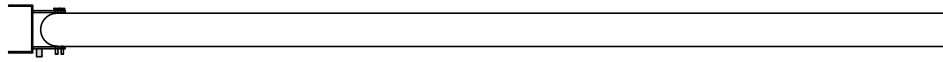
SIDE VIEW

MANUFACTURER: LUMINEX  
CAT #: P-197

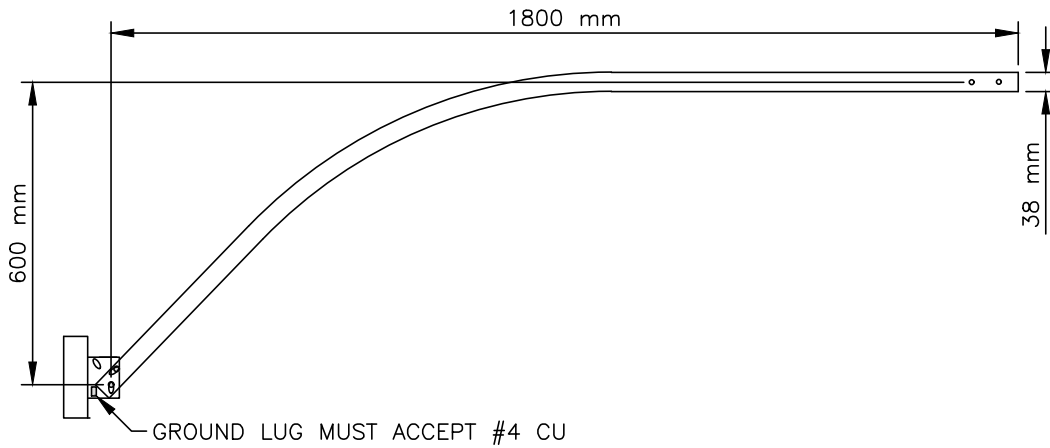


BRACKET

<b>HALIFAX</b>		
STANDARD DETAIL		
<b>DAVIT ARM – 600 mm</b>		
DATE:	2021	REFERENCE
SCALE:	NTS	APPROVED
		FIG No.: <b>HRM 98</b>

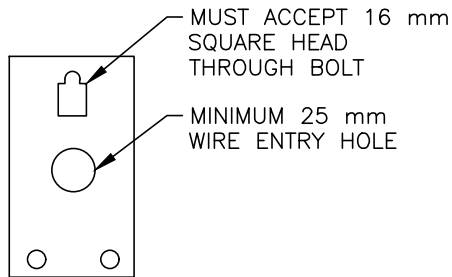


TOP VIEW



SIDE VIEW

MANUFACTURER: ALL-STRUCT  
CAT # WPB 72X24



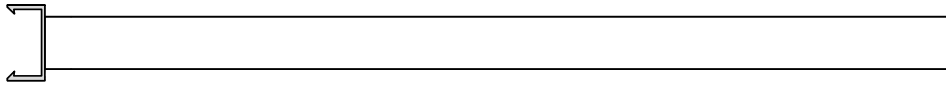
BRACKET

**HALIFAX**

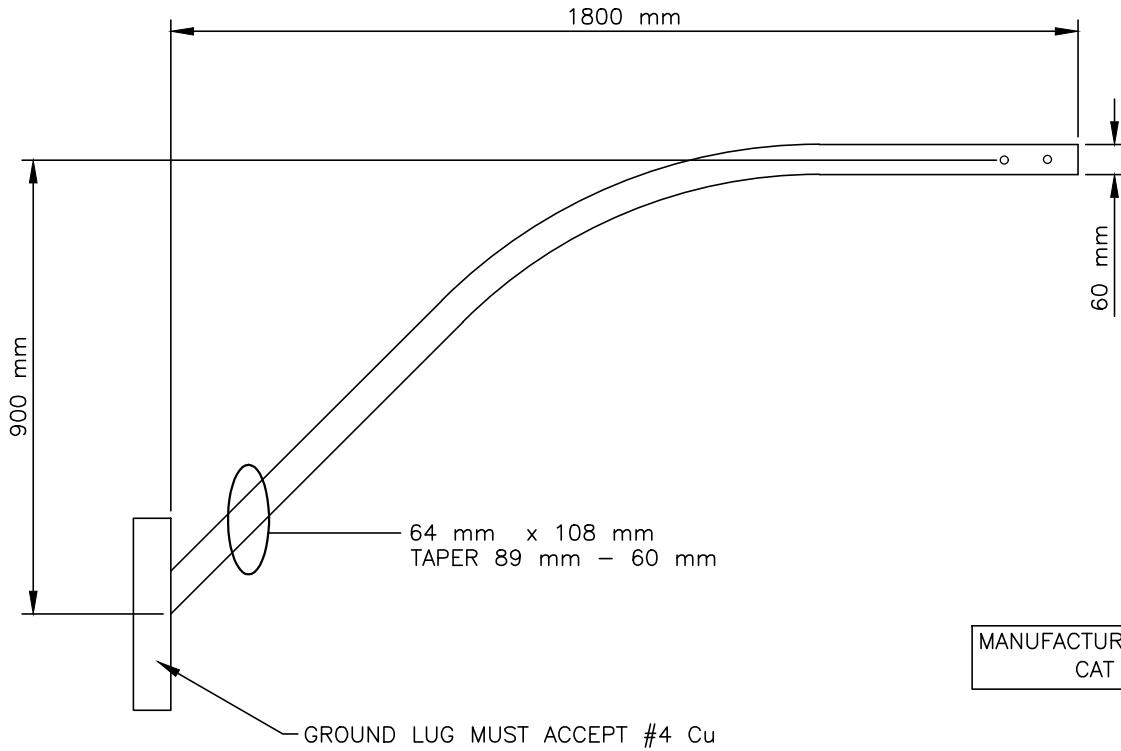
STANDARD DETAIL

**DAVIT ARM – 1800 mm**

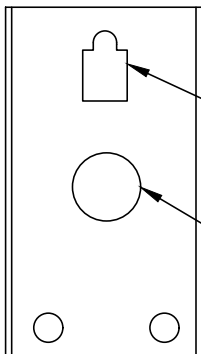
DATE:	2021	REFERENCE	APPROVED
SCALE:	NTS		FIG No.: <b>HRM 99</b>



TOP VIEW



SIDE VIEW



BRACKET

MUST ACCEPT 16 mm  
SQUARE HEAD THROUGH  
BOLT

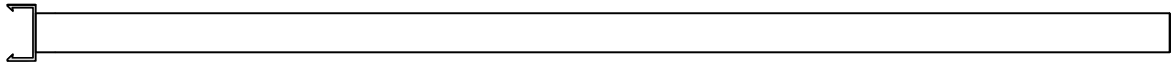
MINIMUM 25 mm  
WIRE ENTRY HOLE

# HALIFAX

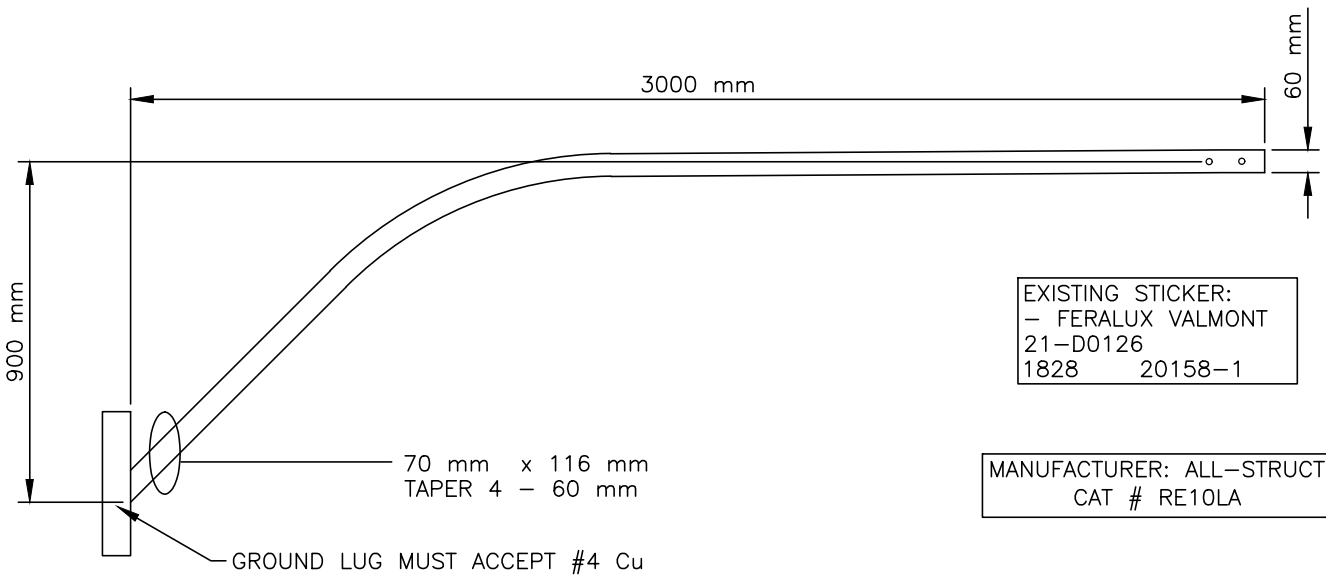
STANDARD DETAIL

**ELLIPTICAL  
DAVIT ARM - 1800 mm**

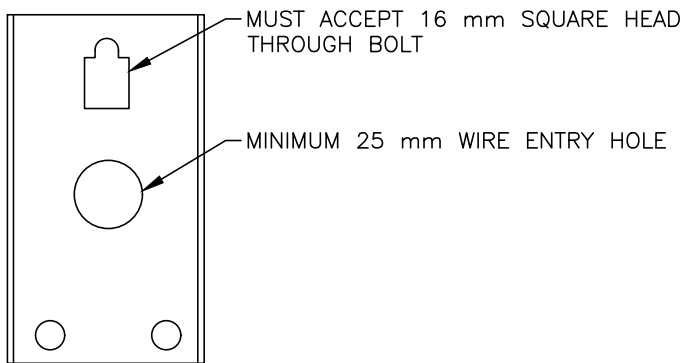
DATE:	2021	REFERENCE	APPROVED
SCALE:	NTS		FIG No.: HRM 100



TOP VIEW



SIDE VIEW



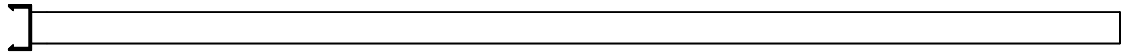
BRACKET

**HALIFAX**

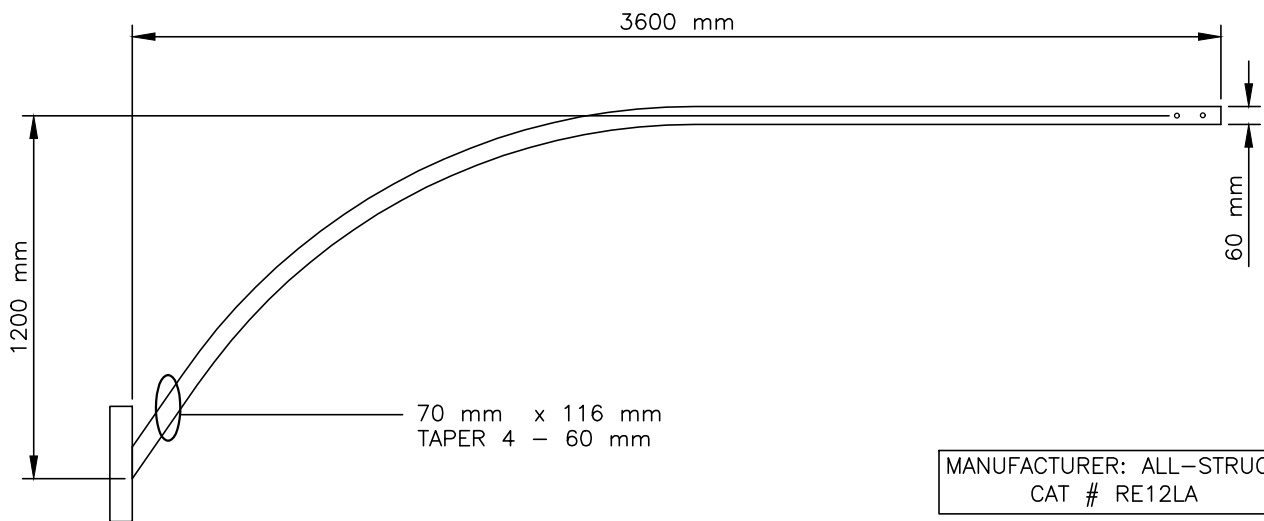
STANDARD DETAIL

ELLIPTICAL  
DAVIT ARM - 3000 mm

DATE:	2021	REFERENCE	APPROVED
SCALE:	NTS		FIG No.: HRM 101

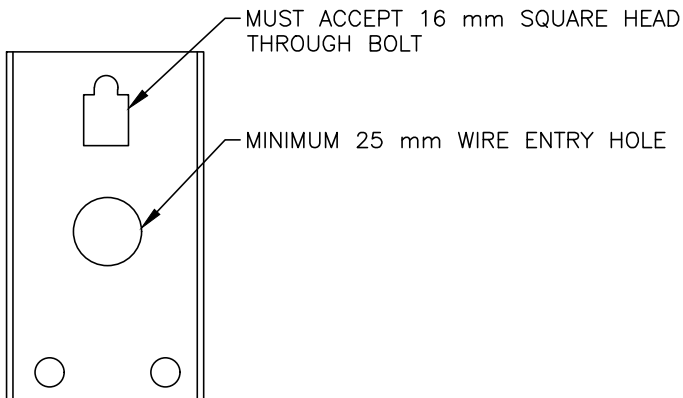


TOP VIEW



MANUFACTURER: ALL-STRUCT  
CAT # RE12LA

SIDE VIEW



BRACKET

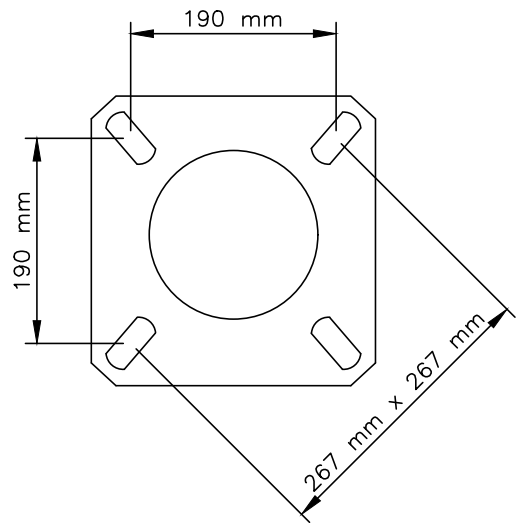
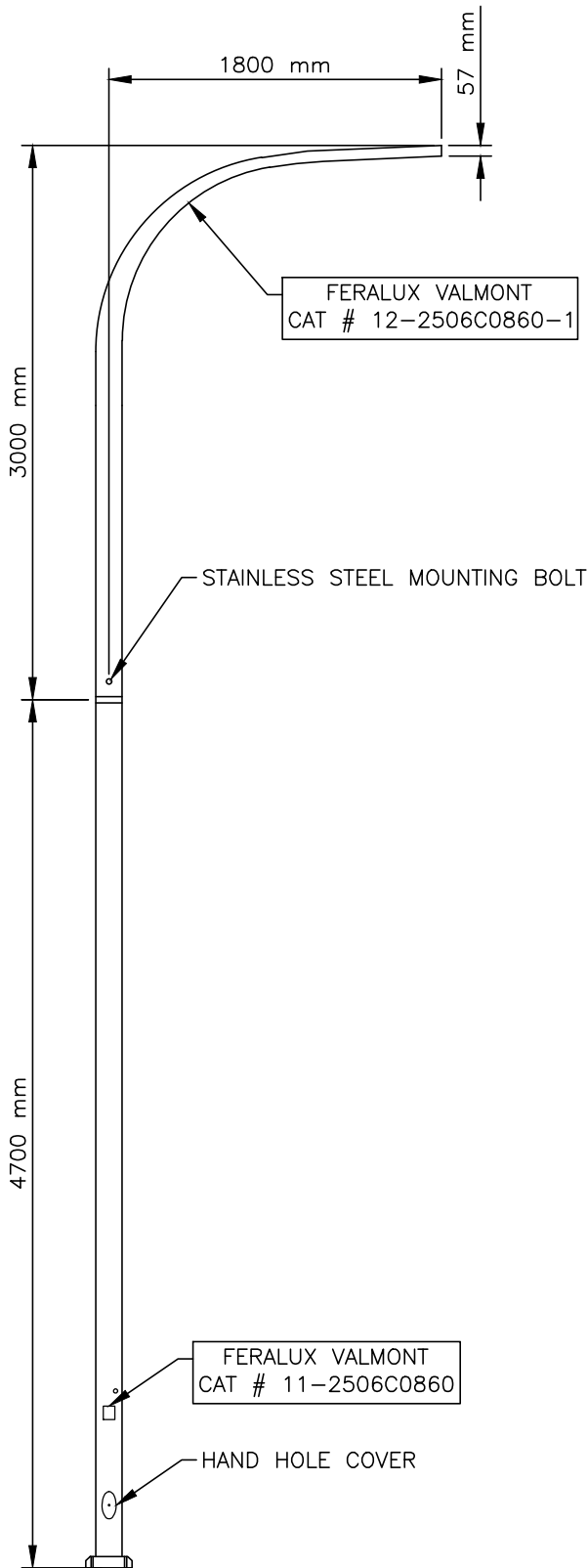
**HALIFAX**

STANDARD DETAIL

**ELLIPTICAL  
DAVIT ARM - 3600 mm**

DATE:	2021	REFERENCE	APPROVED
SCALE:	NTS		FIG No.: HRM 102





**BOLT PATTERN**  
BOTTOM VIEW

**NOTES:**

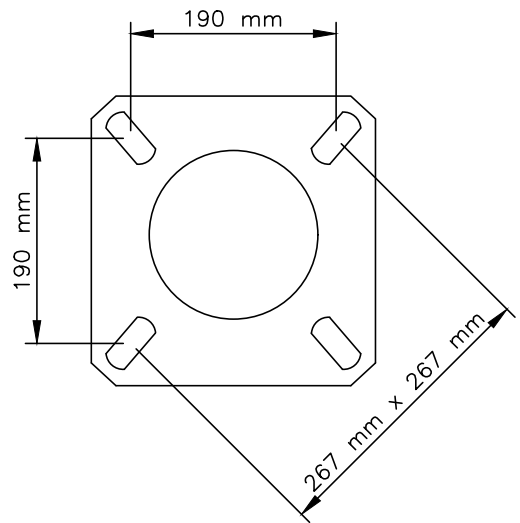
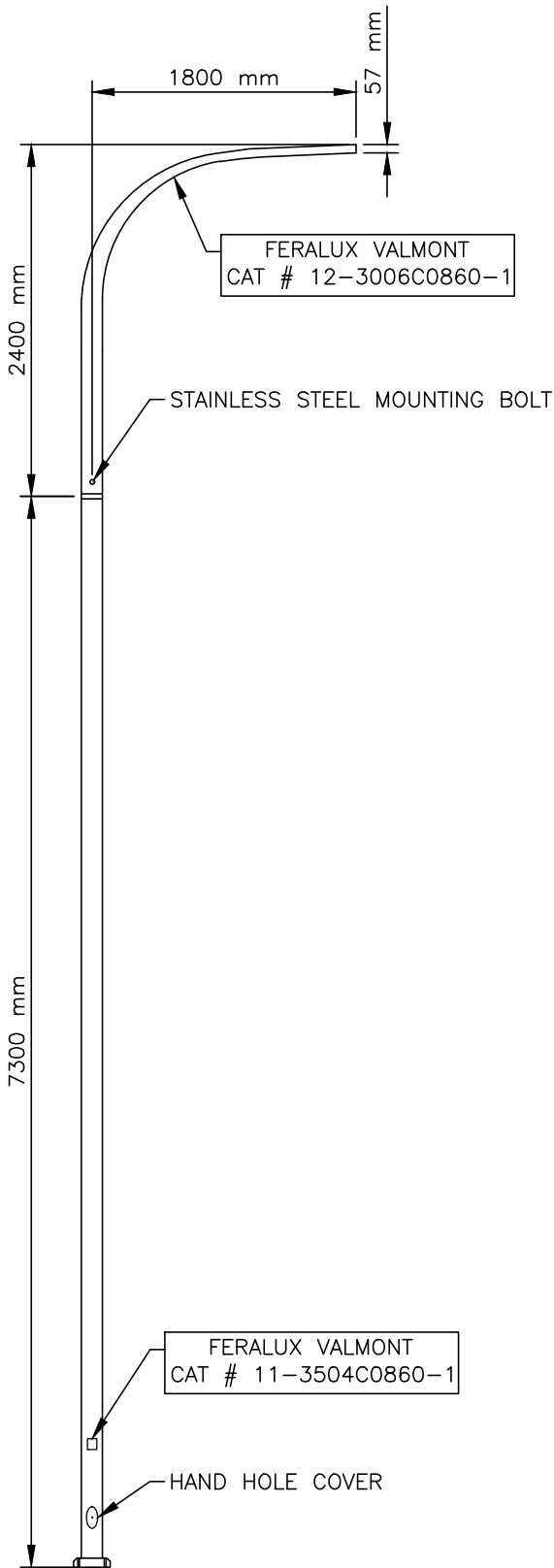
1. WALL THICKNESS 0.188 mm
2. MUST HAVE A HAND HOLE COVER
3. MUST HAVE TWO STAINLESS STEEL MOUNTING BOLTS FOR DAVIT TO POLE CONNECTION.

**HALIFAX**

STANDARD DETAIL

**ALUMINIUM  
LIGHTING STANDARD-7.7 m**

DATE:	2021	REFERENCE	APPROVED
SCALE:	NTS		FIG No.: HRM 103



**BOLT PATTERN**  
BOTTOM VIEW

**NOTES:**

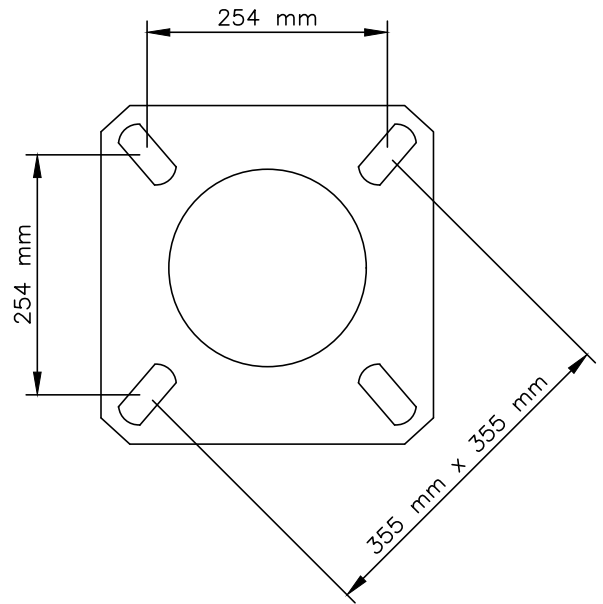
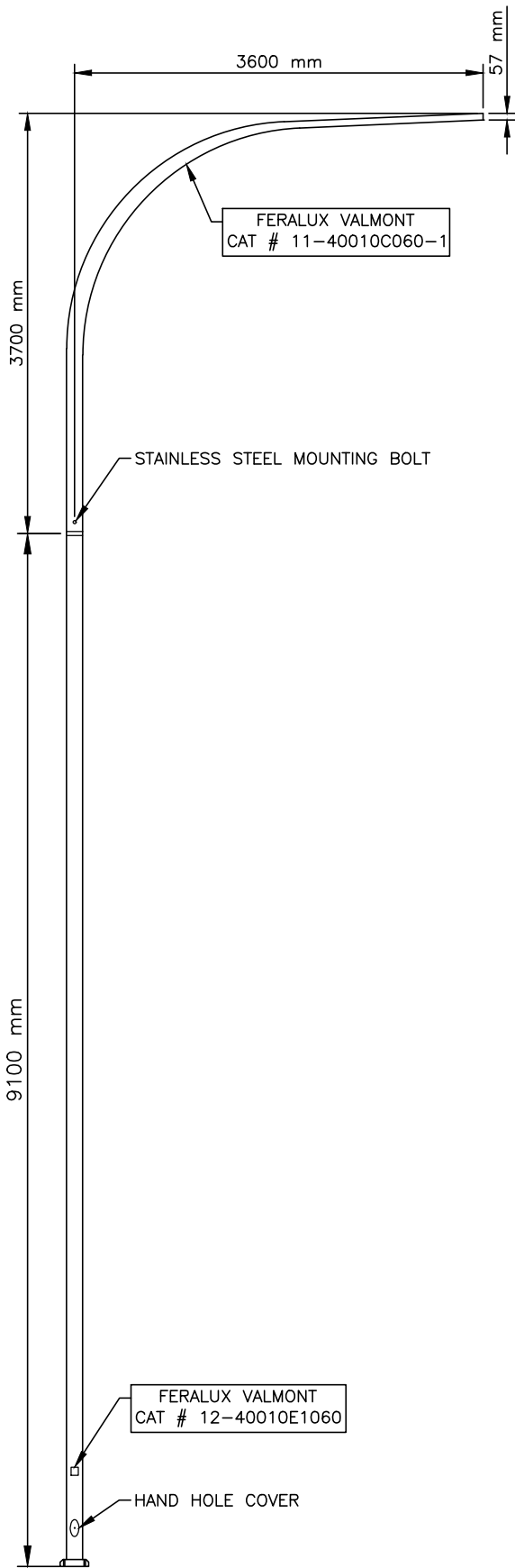
1. WALL THICKNESS 0.188 mm
2. MUST HAVE A HAND HOLE COVER
3. MUST HAVE TWO STAINLESS STEEL MOUNTING BOLTS FOR DAVIT TO POLE CONNECTION.

**HALIFAX**

STANDARD DETAIL

**ALUMINIUM  
LIGHTING STANDARD-9.7 m**

DATE:	2021	REFERENCE	APPROVED
SCALE:	NTS		FIG No.: HRM 104



**BOLT PATTERN**  
BOTTOM VIEW

**NOTES:**

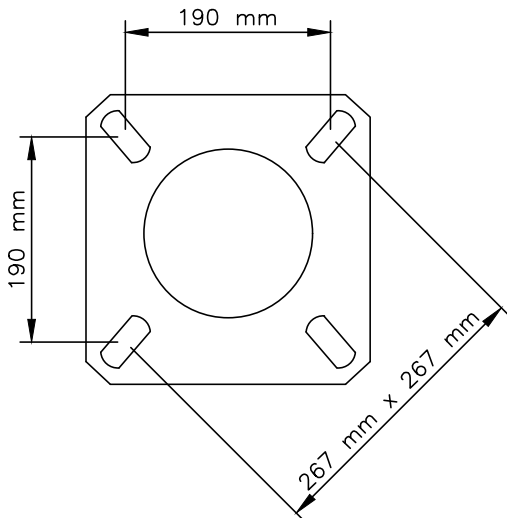
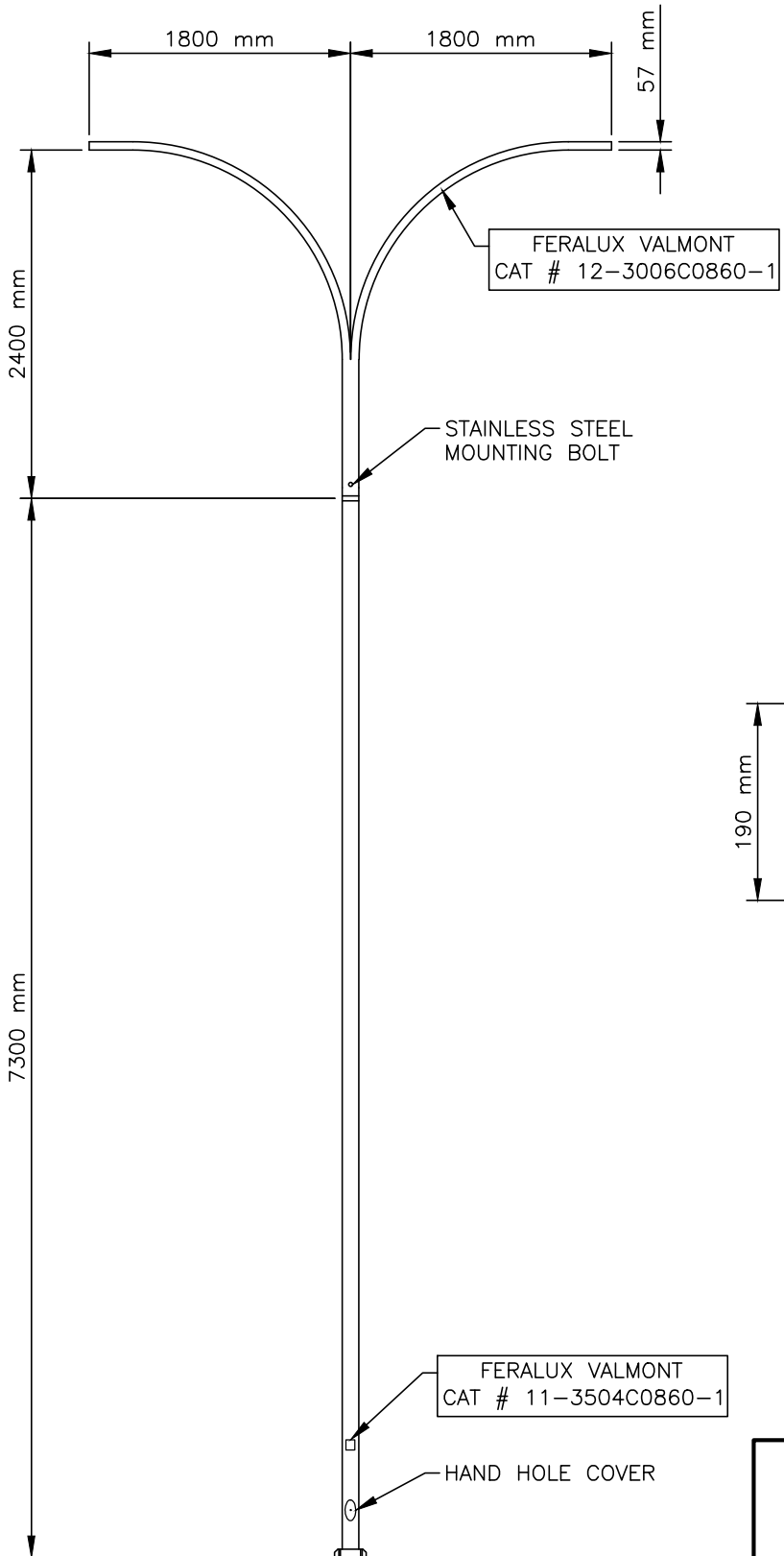
1. WALL THICKNESS 0.188 mm
2. MUST HAVE A HAND HOLE COVER
3. MUST HAVE TWO STAINLESS STEEL MOUNTING BOLTS FOR DAVIT TO POLE CONNECTION.

**HALIFAX**

STANDARD DETAIL

**ALUMINIUM LIGHTING  
STANDARD-12.2 m**

DATE:	2021	REFERENCE	APPROVED
SCALE:	NTS		FIG No.: HRM 105

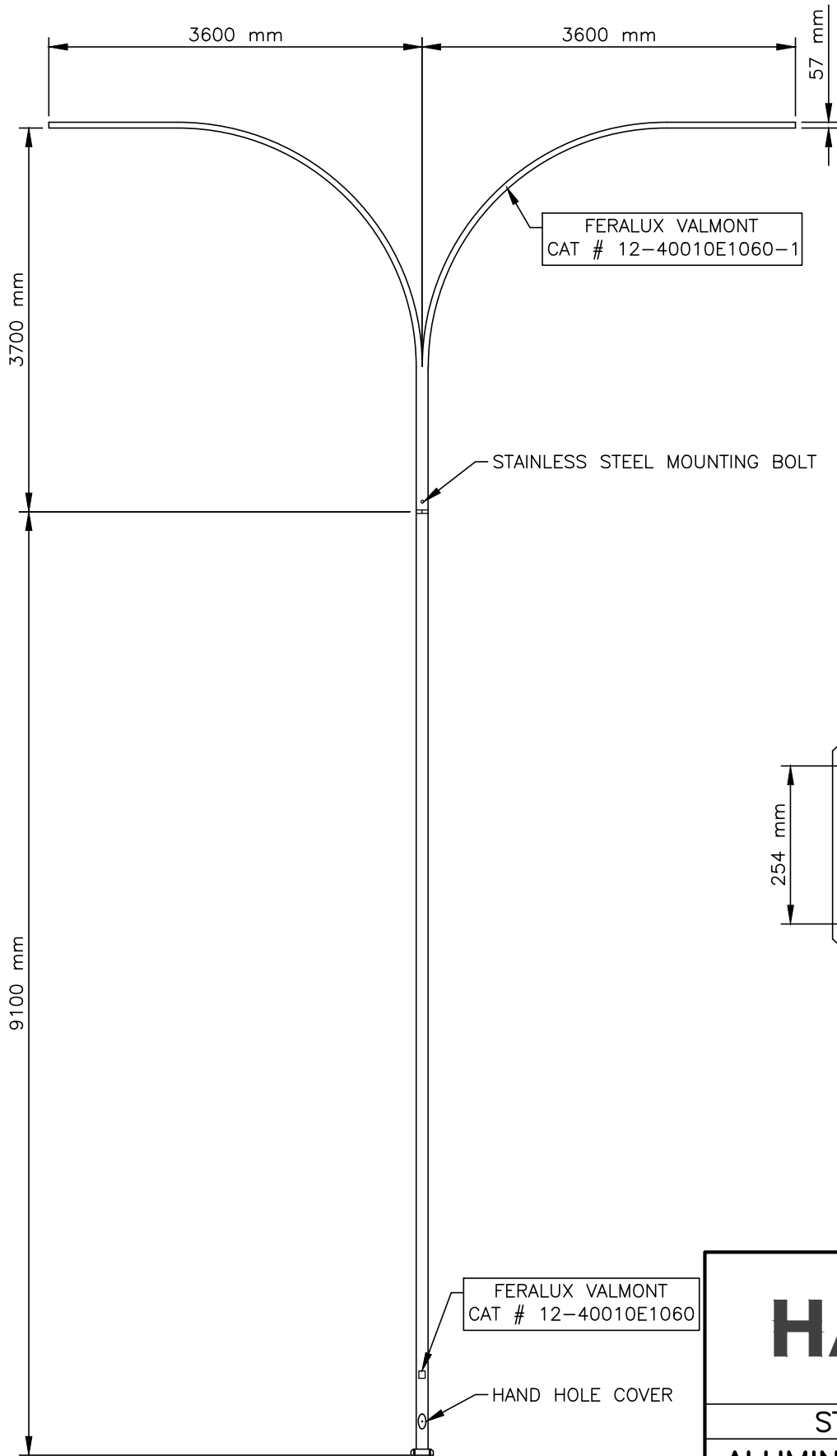


**BOLT PATTERN**  
BOTTOM VIEW

**TYPICAL DOUBLE DAVIT  
ALUMINIUM LIGHTING STANDARD**

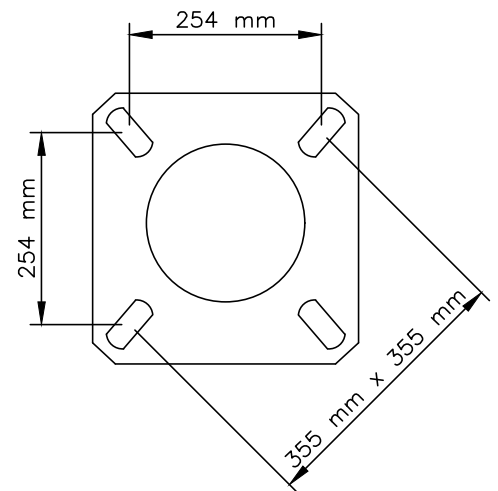
- NOTES:**
1. WALL THICKNESS 0.188 mm
  2. MUST HAVE A HAND HOLE COVER
  3. MUST HAVE TWO STAINLESS STEEL MOUNTING BOLTS FOR DAVIT TO POLE CONNECTION.

<h1>HALIFAX</h1>		
<b>STANDARD DETAIL</b>		
<b>ALUMINIUM DOUBLE DAVIT LIGHTING STANDARD- 9.7m</b>		
DATE:	REFERENCE	APPROVED
2021		
SCALE:		FIG No.:
NTS		HRM 106



**NOTES:**

1. WALL THICKNESS 0.188 mm
2. MUST HAVE A HAND HOLE COVER
3. MUST HAVE TWO STAINLESS STEEL MOUNTING BOLTS FOR DAVIT TO POLE CONNECTION.



**BOLT PATTERN**  
BOTTOM VIEW

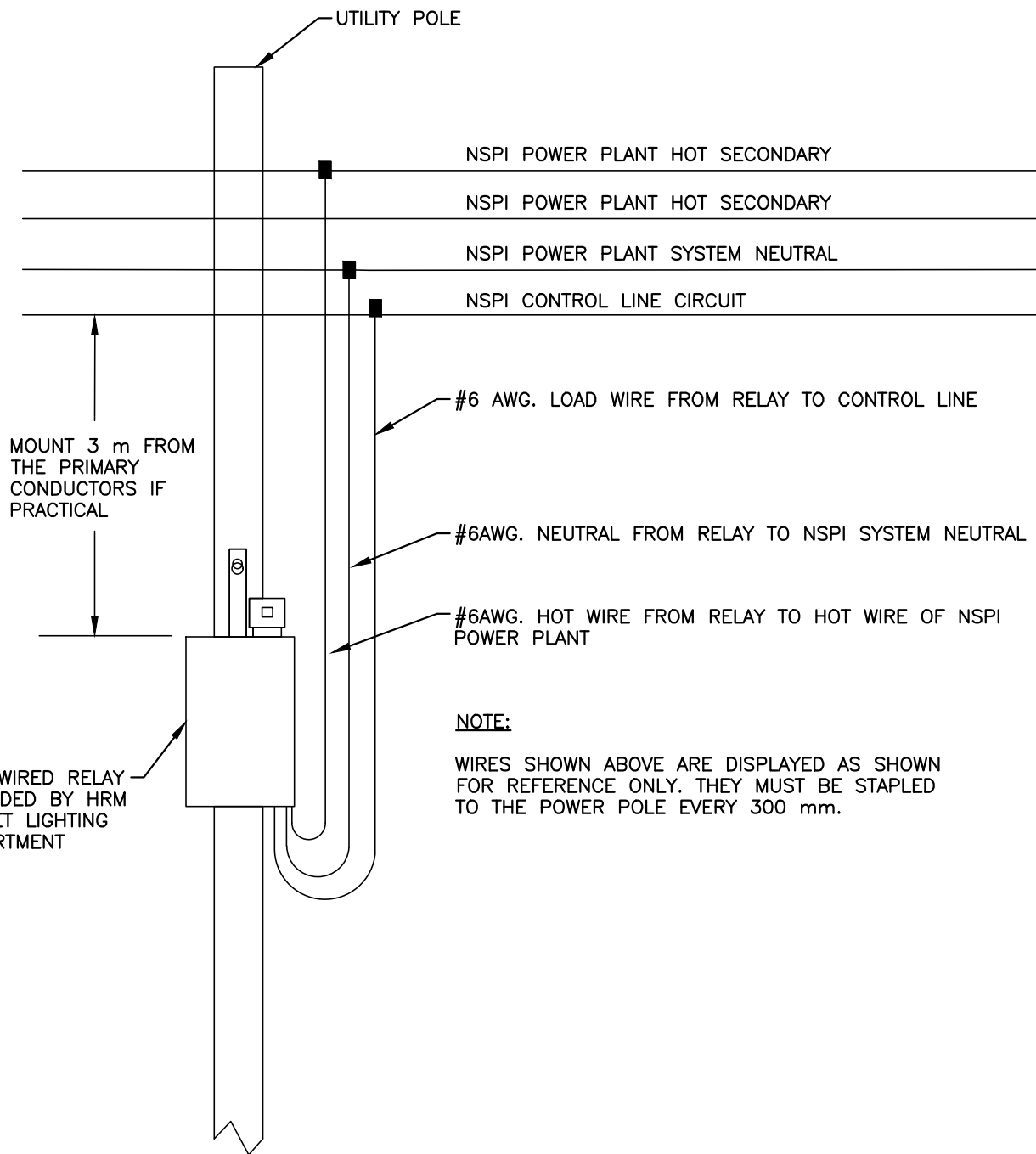
**TYPICAL DOUBLE DAVIT**  
**ALUMINIUM LIGHTING STANDARD**

**HALIFAX**

STANDARD DETAIL

**ALUMINIUM DOUBLE DAVIT**  
**LIGHTING STANDARD-12.2m**

DATE:	2021	REFERENCE	APPROVED
SCALE:	NTS		FIG No.: HRM 107



**NOTES:**

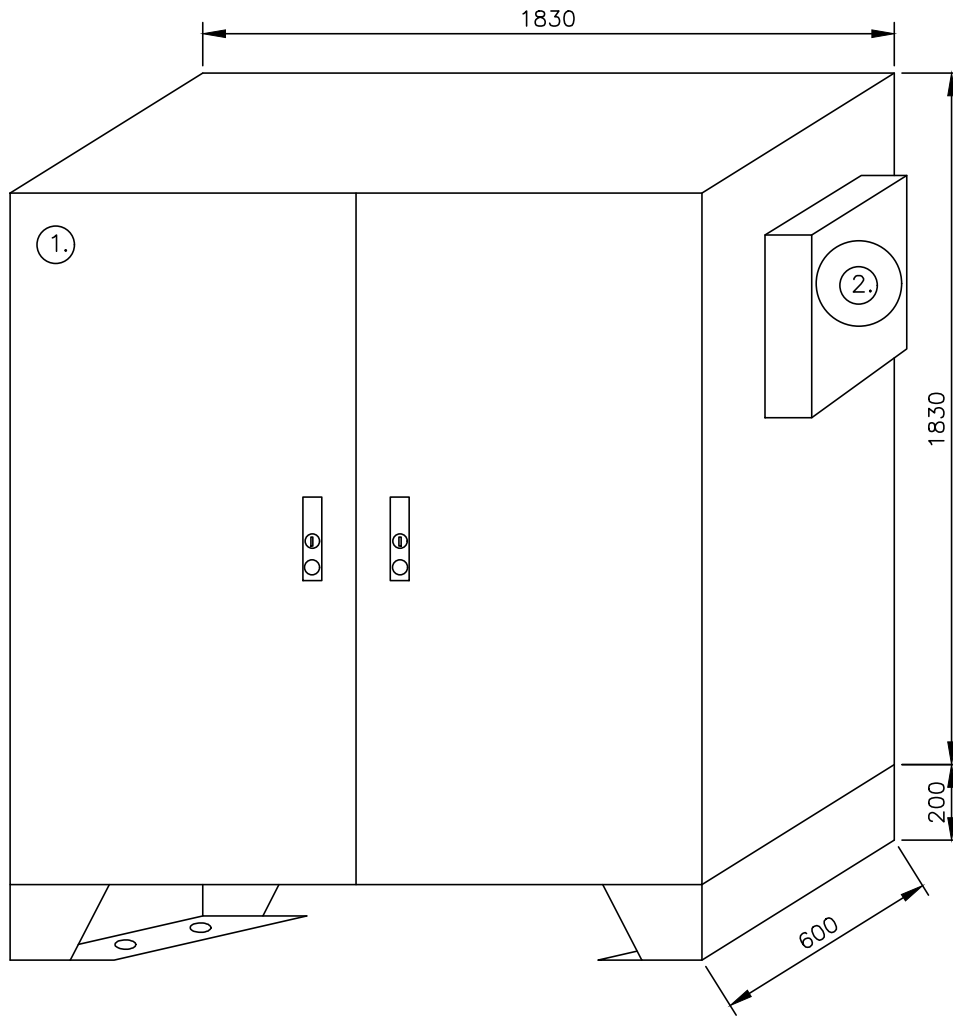
1. ALL WORK MUST BE IN COMPLIANCE WITH THE LATEST EDITION OF THE CANADIAN ELECTRICAL CODE.
2. ANY WORK DONE IN OR AROUND PRIMARY CONDUCTORS MUST BE PERFORMED BY A QUALIFIED PERSON.
3. WHEN MOUNTING THE RELAY POSITION THE PHOTOEYE AWAY FROM THE NEAREST LIGHT FIXTURE.
4. ALL CONNECTIONS TO POWER NSPI POWER PLANT ARE TO BE MADE WITH TYCO KZ EP 4/0 PIERCING

**HALIFAX**

STANDARD DETAIL

RELAY INSTALLATION

DATE:	2021	REFERENCE	APPROVED
SCALE:	NTS		FIG No.: <b>HRM 108</b>



PART NUMBERING AND DESCRIPTIONS:

1. BEL PART NUMBER #HDM727224FSS-M 1830x1830 C/W 200mm AND BACKPLATE.
2. STREET LIGHTING POWER METER BASE PART#PL17-TCV-IN.

NOTES:

1. ALL WIRING MUST BE DONE IN ACCORDANCE WITH THE LATEST EDITION OF THE CANADIAN ELECTRICAL CODE.
2. CABINET MUST BE CSA APPROVED.
3. CABINET DOORS MUST HAVE BARS TO HOLD DOORS OPEN.
4. CABINET DOORS MUST BE LOCKABLE AND BE ABLE TO ACCEPT A PADLOCK.
5. CABINET MUST HAVE A REMOVABLE CENTRE POST FOR THE DOORS.
6. ALL MOUNTING SCREWS MUST BE STAINLESS.
7. CABINET MUST HAVE A DRAWING HOLDER AND ALL WIRING SCHEMATICS.
8. MANUFACTURER MUST PROVIDE REPLACEMENT FUSES, LIGHTBULB, AND A SPARE COIL. TO BE MOUNTED IN A PVC JUNCTION BOX IN A CONVENIENT LOCATION.
9. ALL COMPONENTS MUST BE LABELLED WITH LAMACOIDS IE; VOLTAGE, CURRENT, AND CIRCUIT.
10. ITEM #7 MUST BE LABELLED WITH LAMACOIDS TO INDICATE WHAT THE CIRCUIT IS FEEDING.
11. DIMENSIONS ARE IN MILLIMETRES.

**HALIFAX**

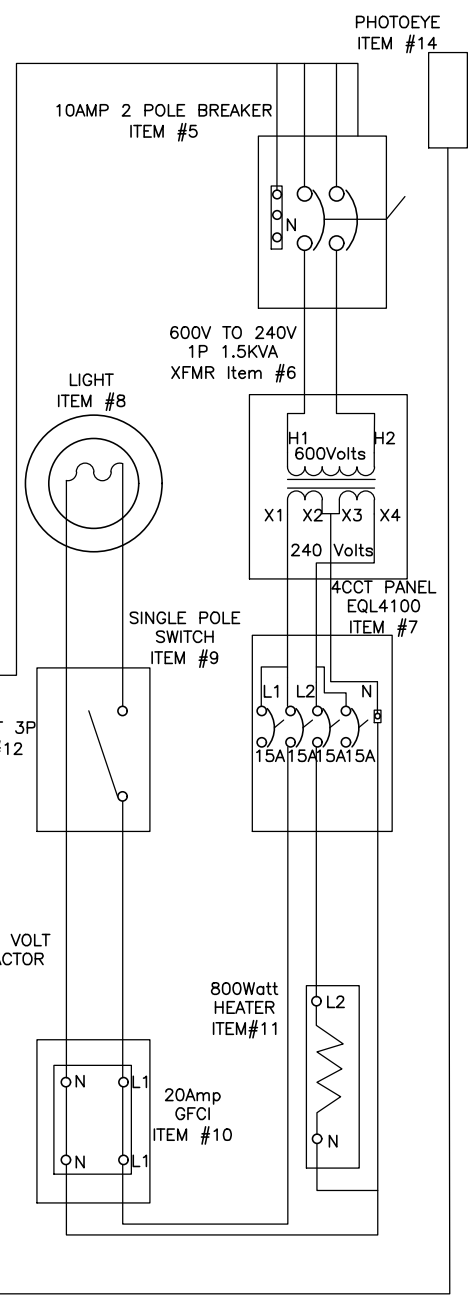
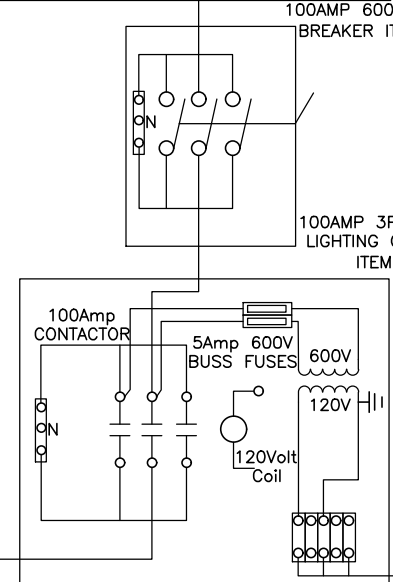
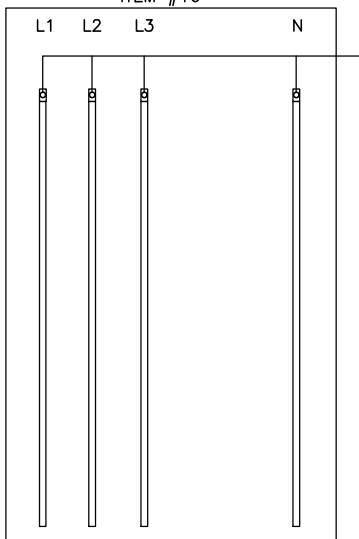
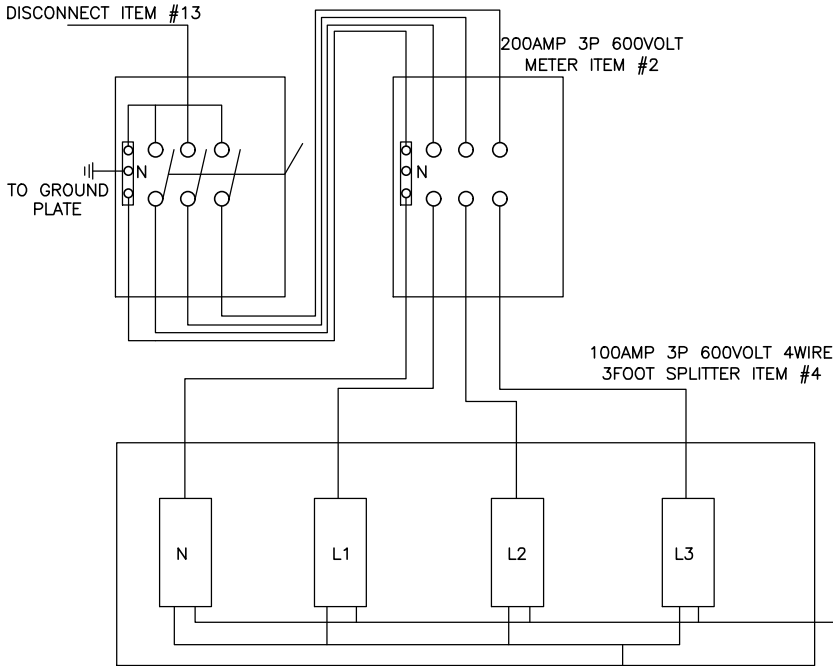
STANDARD DETAIL

**STREET LIGHT  
POWER ENCLOSURE**

DATE:	2021	REFERENCE	APPROVED
SCALE:	NTS		FIG No.: <b>HRM 109</b>

FROM NSPI POWER PLANT

100AMP 600 VOLT 3P NF  
DISCONNECT ITEM #13



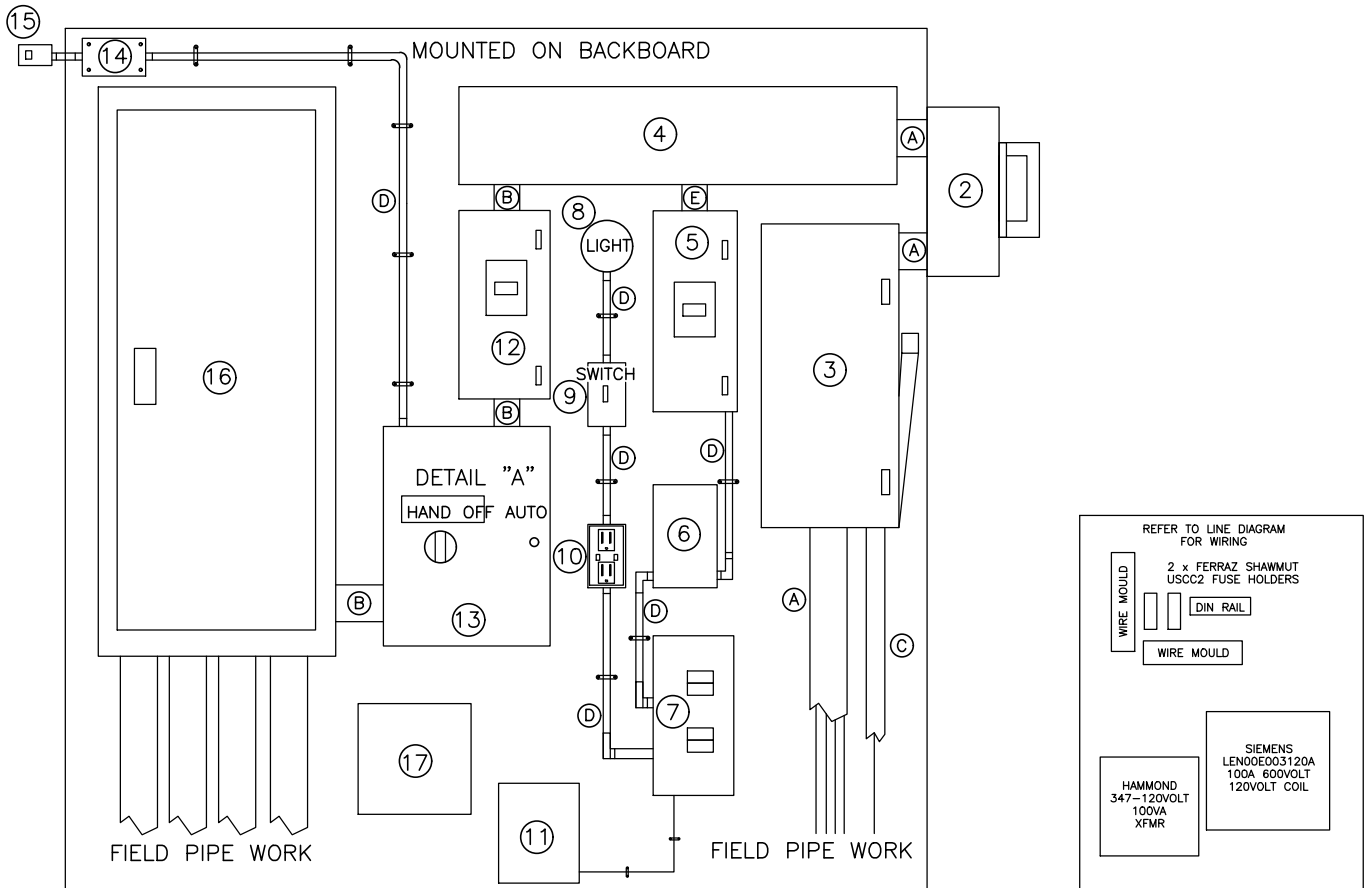
# HALIFAX

STANDARD DETAIL

## STREET LIGHT POWER ENCLOSURE DIAGRAM

DATE:	2021	REFERENCE	APPROVED
SCALE:	NTS		FIG No.: HRM 110





### DETAIL "A"

#### PART NUMBERING AND DESCRIPTIONS:

1. BEL PART NUMBER #HDM727224FSS-M 1830x1830 C/W 200 mm AND BACKPLATE.
2. STREET LIGHTING POWER METER BASE PART#PL17-TCV-IN.
3. 100AMP 3P 600VOLT NON-FUSEABLE SIEMENS ID363NF.
4. BEL 200AMP 3P 600VOLT SPLITTER PART#T3204.
5. 20AMP 2P 600VOLT BREAKER SIEMENS PART#ED63B020L C/W E2NIS ENCLOSURE.
6. 1.5KVA XFMR HAMMOND PART#Q1C5PEKF.
7. 4 X 15AMP 1P BREAKER SIEMENS PART#Q115 C/W EQL4100 ENCLOSURE.
8. RAB DEMVCS100CG LIGHT C/W DEMGD100CGS CAGE C/W CFL LIGHTBULB.
9. RAB DEVICE BOX IBCS100CN C/W WEATHERPROOF PVC COVER AND COMMERCIAL GRADE SINGLE POLE SWITCH LEVCS1152W.
10. RAB DEVICE BOX IBCS100CN C/W WEATHERPROOF PVC COVER AND 20AMP T SLOT GFCI LEV7899W.
11. 800WATT HEATER CALORITECH PART#PH80011.
12. 100AMP 3P 600VOLT BREAKER SIEMENS PART#ED63B100L C/W E2NIS ENCLOSURE.
13. 100AMP LEN CONTACTOR C/W HOA IN 406 mm x 406 mm x 203 mm ENCLOSURE(REFER TO DETAIL A).
14. RAB DEVICE BOX IBCS100CN C/W BLANK PVC WEATHERPROOF COVER SCEBRC1510.
15. INTERMATIC PHOTOCCELL PART#K4221C.
16. SIEMENS DISTRIBUTION PANEL PART#P1L42ML125CBS 3P 4 WIRE 600VOLT 42 CRT.
17. PVC JUNCTION BOX CAPABLE OF HOLDING EXTRA FUSES AND AN EXTRA COIL.

#### CONDUIT AND WIRE SIZING:

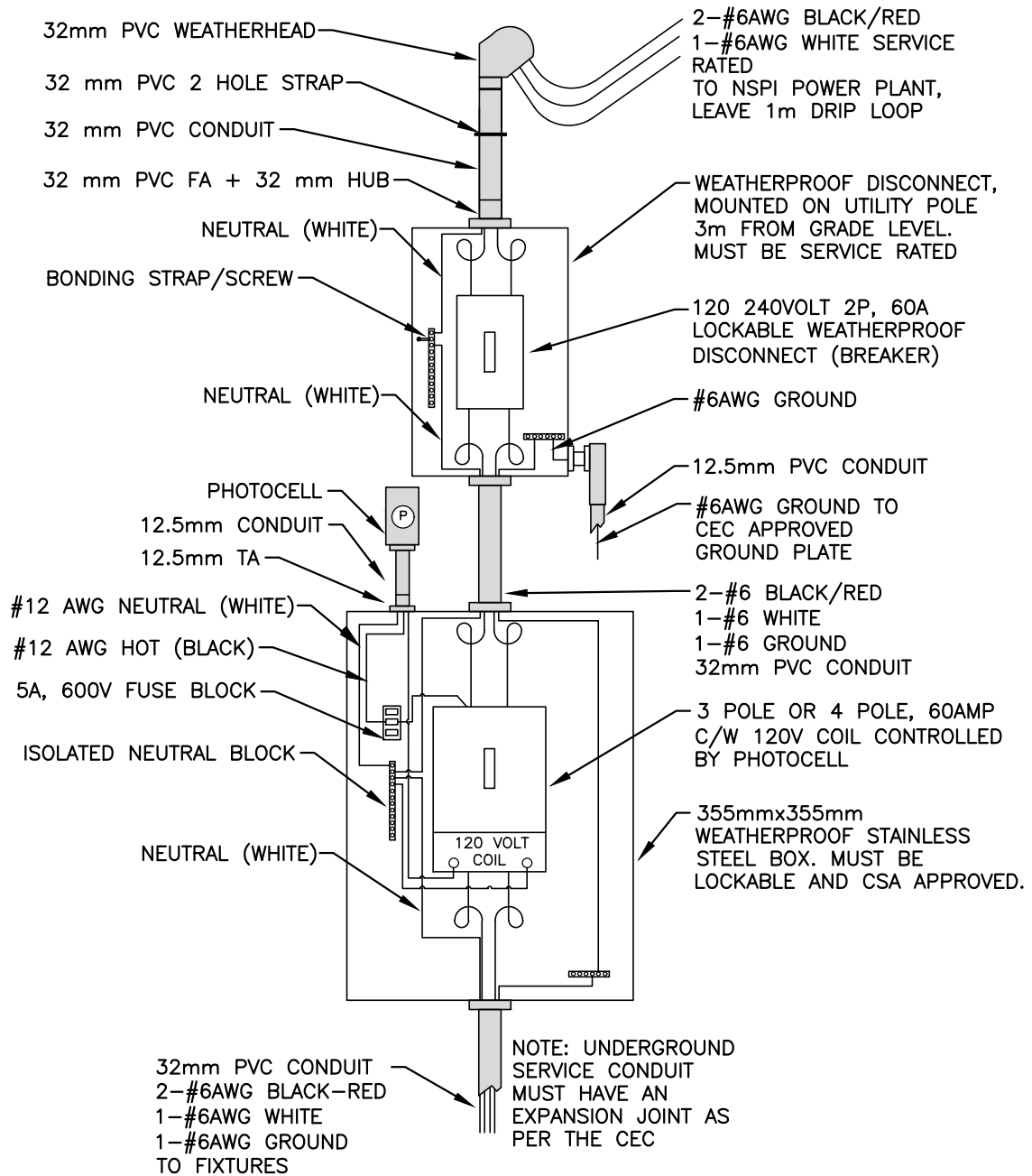
- A. 53 mm CONDUIT C/W 4 x #3 RWU90 & 1 x #8 GRN CONDUCTORS.
- B. 41 mm CONDUIT C/W 4 x #3 RWU90 & 1 x #8 GRN CONDUCTORS.
- C. 25 mm CONDUIT C/W 1 x #6 GRN.
- D. 12.5 mm NMFC OR 12.5 mm PVC C/W 2 x #12 RWU90 & #12 GRN.
- E. 25 mm CONDUIT C/W 2 x #10 RWU90 & #8 GRN.

# HALIFAX

STANDARD DETAIL

STREET LIGHT  
POWER ENCLOSURE LAYOUT

DATE:	2021	REFERENCE	APPROVED
SCALE:	NTS		FIG No.: HRM 111



## 120/240 VOLT SINGLE PHASE CURRENT RATED OVER 15 AMPS

### NOTES:

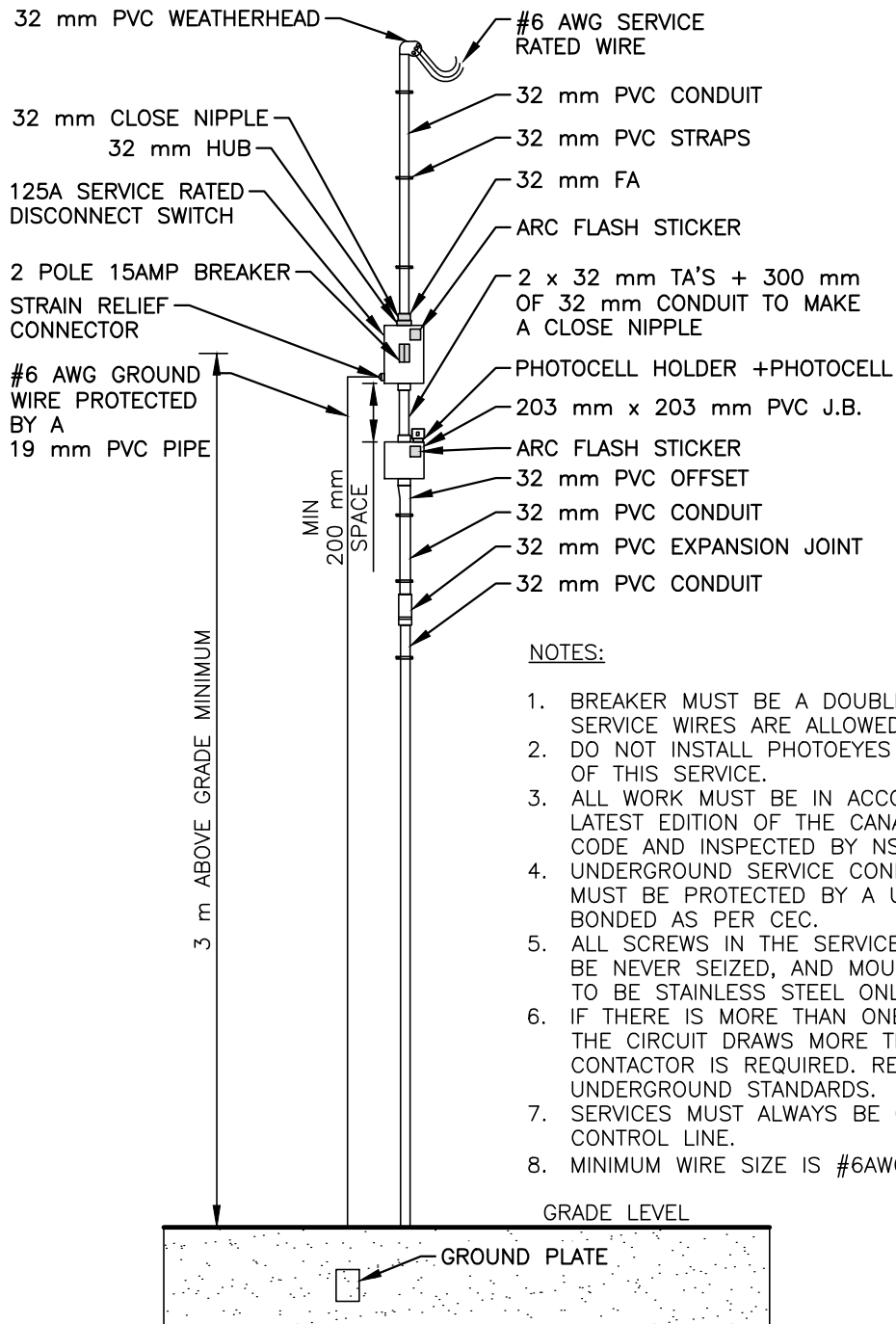
1. BREAKER MUST BE A DOUBLE POLE, NO SPARE SERVICE WIRES ARE ALLOWED.
2. CIRCUITS RATED AT MORE THAN 15 AMPS REQUIRE A CONTACTOR.
3. ALL WORK MUST BE IN ACCORDANCE WITH THE LATEST EDITION OF THE CANADIAN ELECTRICAL CODE AND INSPECTED BY NSPI.
4. UNDERGROUND SERVICE CONDUIT AND GROUND MUST BE PROTECTED BY A U-GUARD AND BONDED AS PER CEC.
5. ALL SCREWS IN THE SERVICE SWITCH ARE TO BE 5. NEVER SEIZED, AND MOUNTING SCREWS ARE TO BE STAINLESS STEEL ONLY.
6. ALL POLES FED OFF OF THIS CAP INSTALLED OR MUST BE CONNECTED DIRECTLY.
7. SERVICE MUST BE MOUNTED AT A MINIMUM OF THREE METERS.

# HALIFAX

STANDARD DETAIL

STREET LIGHTING  
U/G ELECTRICAL SERVICE

DATE:	2021	REFERENCE	APPROVED
SCALE:	NTS		FIG No.: HRM 112



NOTES:

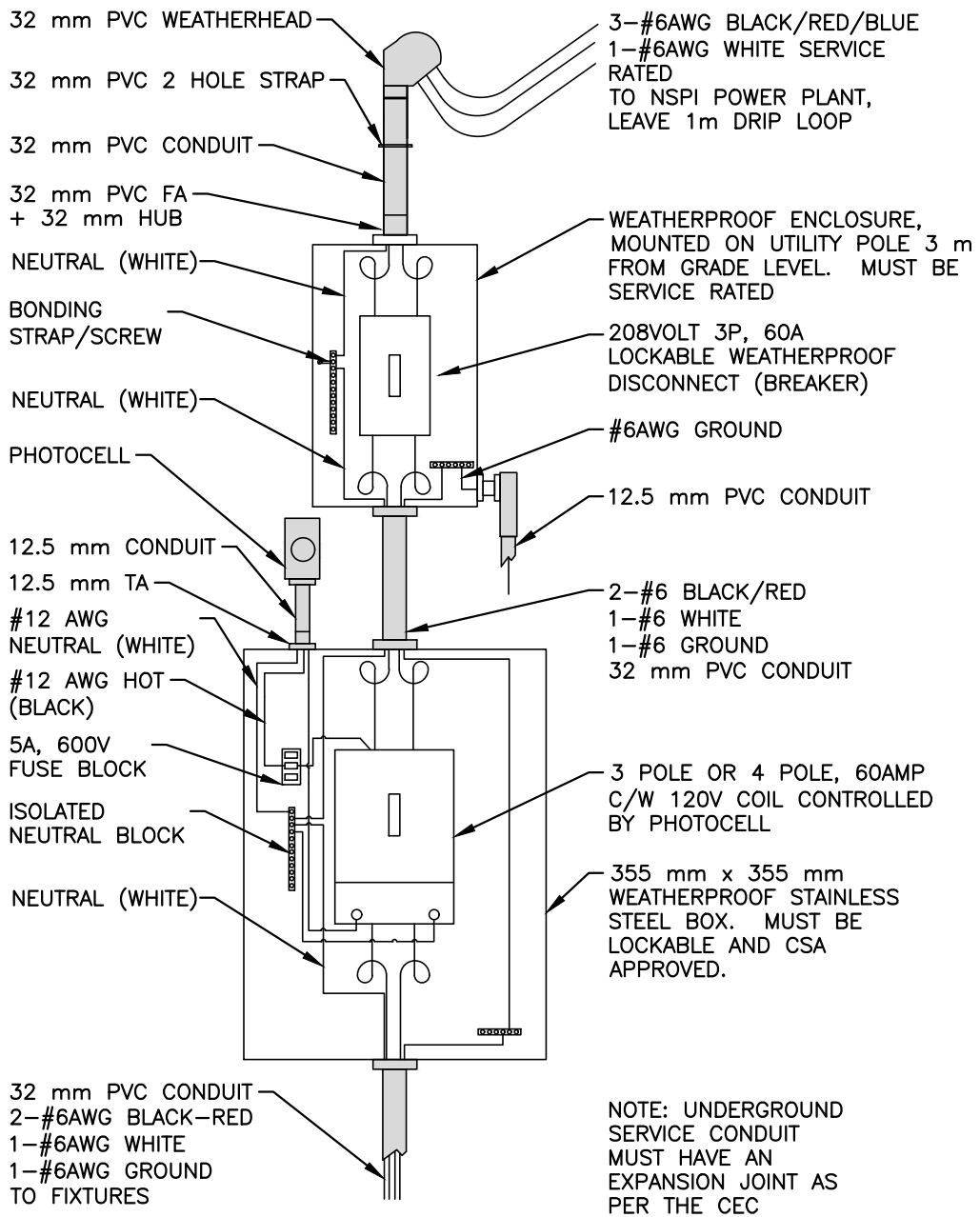
1. BREAKER MUST BE A DOUBLE POLE, NO SPARE SERVICE WIRES ARE ALLOWED.
2. DO NOT INSTALL PHOTOEYES IN POLES FED OFF OF THIS SERVICE.
3. ALL WORK MUST BE IN ACCORDANCE WITH THE LATEST EDITION OF THE CANADIAN ELECTRICAL CODE AND INSPECTED BY NSPI.
4. UNDERGROUND SERVICE CONDUIT AND GROUND MUST BE PROTECTED BY A U-GUARD AND BONDED AS PER CEC.
5. ALL SCREWS IN THE SERVICE SWITCH ARE TO BE NEVER SEIZED, AND MOUNTING SCREWS ARE TO BE STAINLESS STEEL ONLY.
6. IF THERE IS MORE THAN ONE CIRCUIT OR IF THE CIRCUIT DRAWS MORE THAN 15 AMPS A CONTACTOR IS REQUIRED. REFER TO UNDERGROUND STANDARDS.
7. SERVICES MUST ALWAYS BE CONNECTED TO THE CONTROL LINE.
8. MINIMUM WIRE SIZE IS #6AWG.

120 VOLT SINGLE PHASE CURRENT RATED UNDER 15 AMPS

**HALIFAX**

STANDARD DETAIL  
**STREET LIGHTING**  
**U/G ELECTRICAL SERVICE**

DATE:	2021	REFERENCE	APPROVED
SCALE:	NTS		FIG No.: <b>HRM 113</b>

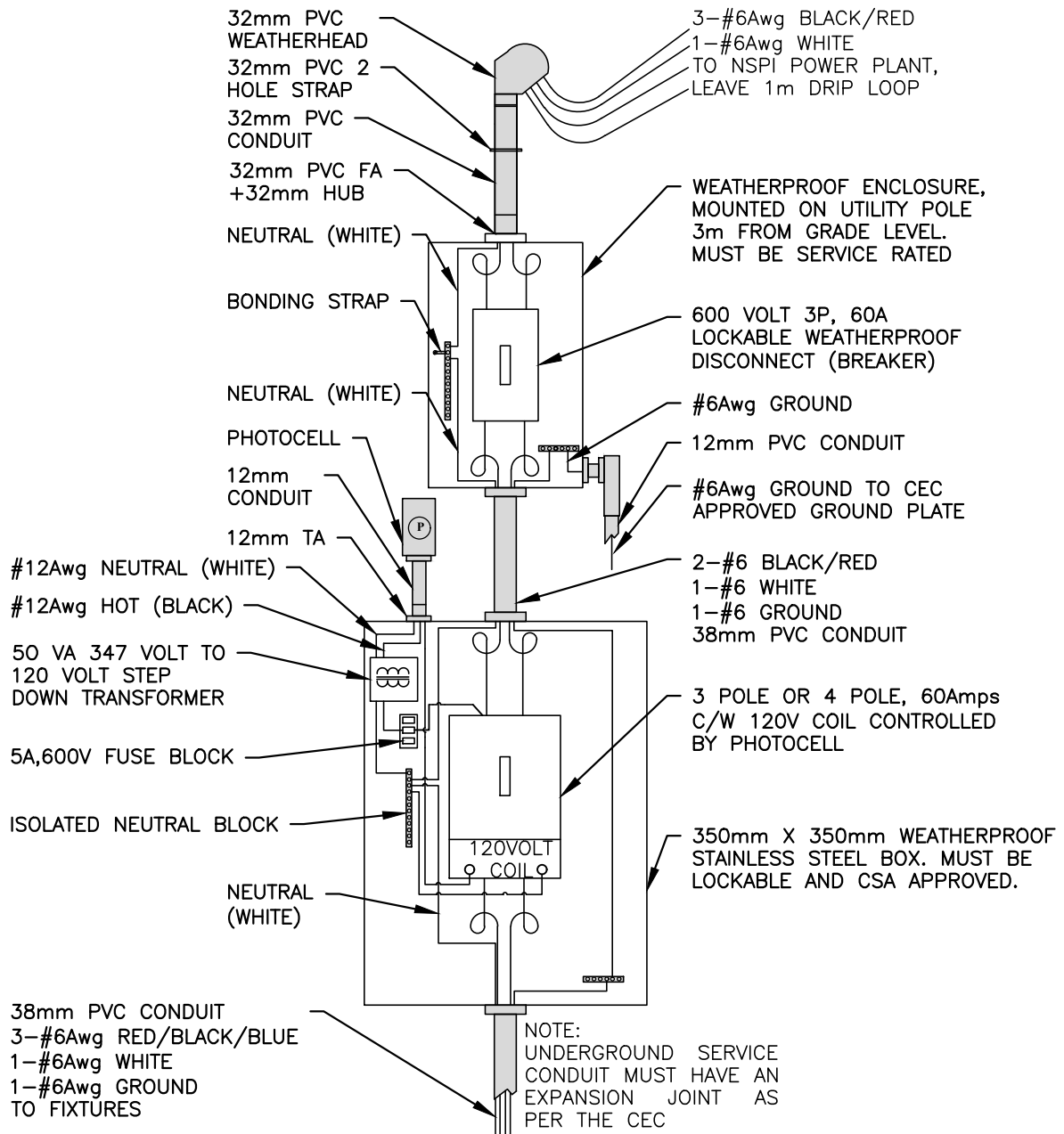


**208 VOLT THREE PHASE CURRENT RATED OVER 15 AMPS**

**NOTES:**

1. BREAKER MUST BE A DOUBLE POLE, NO SPARE SERVICE WIRES ARE ALLOWED.
2. CIRCUITS RATED AT MORE THAN 15 AMPS REQUIRE A CONTACTOR.
3. ALL WORK MUST BE IN ACCORDANCE WITH THE LATEST EDITION OF THE CANADIAN ELECTRICAL CODE AND INSPECTED BY NSPI.
4. UNDERGROUND SERVICE CONDUIT AND GROUND MUST BE PROTECTED BY A U-GUARD AND BONDED AS PER CEC.
5. ALL SCREWS IN THE SERVICE SWITCH ARE TO BE NEVER SEIZED, AND MOUNTING SCREWS ARE TO BE STAINLESS STEEL ONLY.
6. ALL POLES FED OFF OF THIS SERVICE MUST HAVE A SHORTING CAP INSTALLED OR MUST BE CONNECTED DIRECTLY.

<h1>HALIFAX</h1>		
<b>STANDARD DETAIL</b>		
<b>STREET LIGHTING</b>		
<b>U/G ELECTRICAL SERVICE</b>		
DATE:	REFERENCE	APPROVED
2021		
SCALE:		FIG No.:
NTS		<b>HRM 114</b>



NOTES:

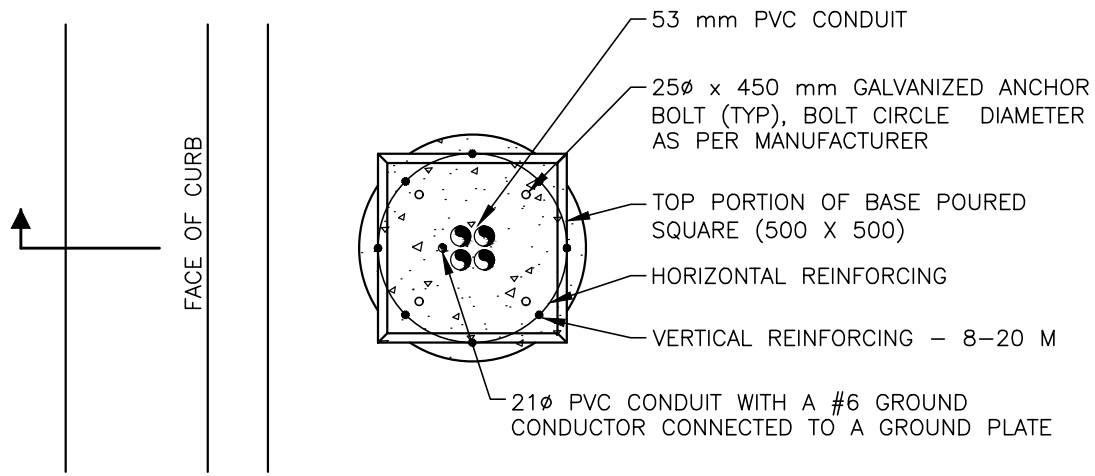
1. BREAKER MUST BE A DOUBLE POLE, NO SPARE SERVICE WIRES ARE ALLOWED.
2. CIRCUITS RATED AT MORE THAN 15Amps REQUIRE A CONTACTOR.
3. ALL WORK MUST BE IN COMPLIANCE WITH THE LATEST EDITION OF THE CANADIAN ELECTRICAL CODE AND INSPECTED BY NSPI.
4. UNDERGROUND SERVICE CONDUIT AND GROUND MUST BE PROTECTED BY A U-GUARD AND BONDED AS PER CEC.
5. ALL SCREWS IN THE SERVICE SWITCH ARE TO BE NEVER SEIZED, AND MOUNTING SCREWS ARE TO BE STAINLESS STEEL ONLY.
6. ALL POLES FED OFF THIS SERVICE MUST HAVE A SHORTING CAP INSTALLED OR MUST BE CONNECTED DIRECTLY.
7. SERVICE MUST BE MOUNTED AT MINIMUM OF THREE METERS.

# HALIFAX

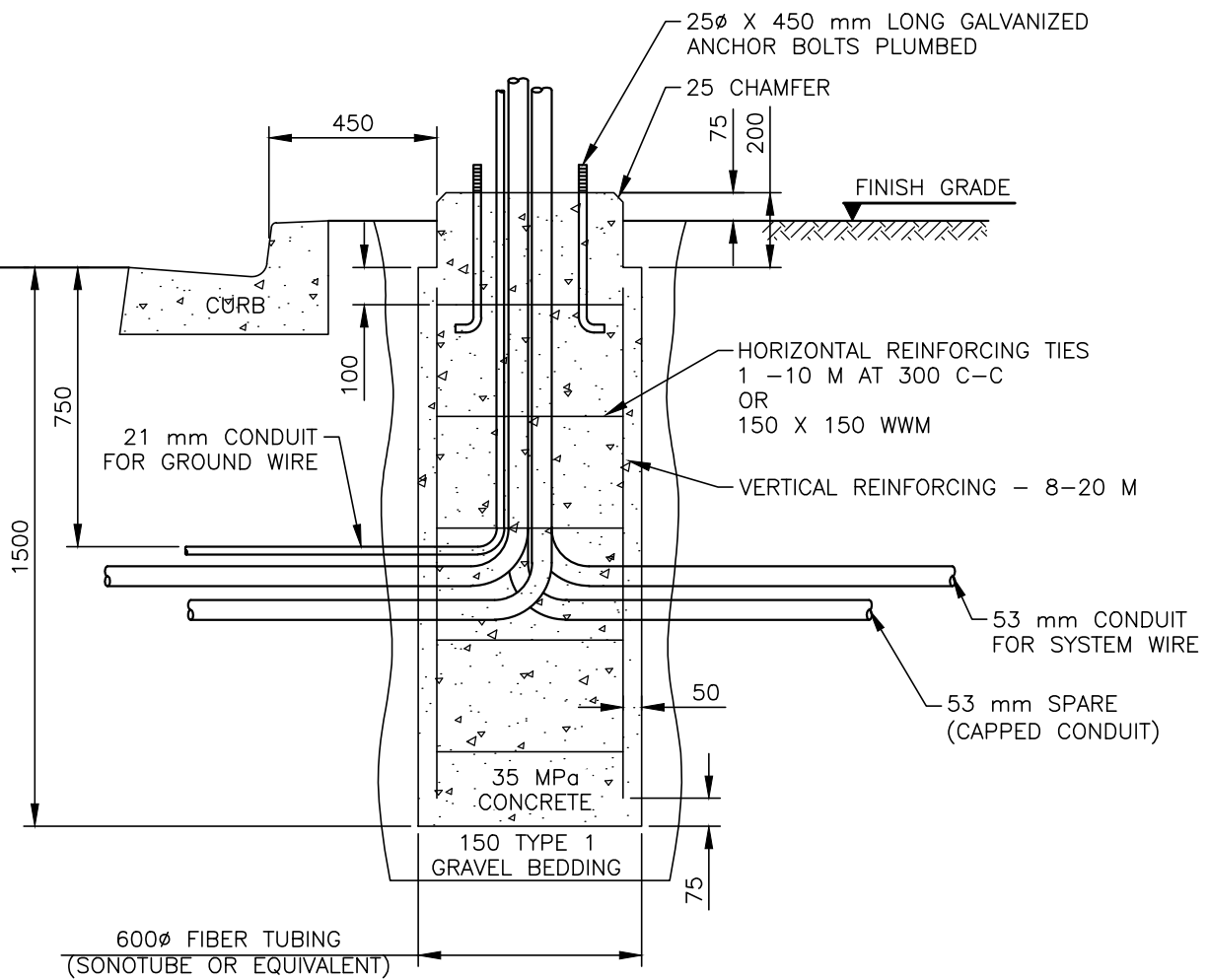
STANDARD DETAIL

**347 VOLT 3 PHASE U/G SERVICE OVER 15Amps**

DATE:	2021	REFERENCE	APPROVED
SCALE:	NTS		FIG No.: HRM 115



**PLAN**



**SECTION**

**NOTES:**

1. CONCRETE MUST BE PLACED IN A SINGLE POUR.
2. ALL DIMENSIONS IN MILLIMETRES.
3. ALL WORK MUST BE IN COMPLIANCE WITH THE LATEST EDITION OF THE CANADIAN ELECTRICAL CODE.
4. THE THREADS OF THE LEG BOLTS MUST BE LEVEL WITH THE TOP OF THE CONCRETE BASE.
5. EACH CONCRETE BASE MUST HAVE ITS OWN GROUND PLATE
6. CONTRACTOR TO PLACE CONDUIT TO ALLOW FOR A DIVIDER PLATE IN THE TRANSFORMED BASE/POLE.

# HALIFAX

STANDARD DETAIL

## ORNAMENTAL STREET LIGHT BASE

DATE:	REFERENCE	APPROVED
2021		
SCALE:		FIG No.:
1:20		HRM 116

HORIZONTAL REINFORCING  
 VERTICAL REINFORCING  
 53mm PVC CONDUIT

FACE OF CURB

BASE CAP MUST BE SQUARE WITH CURB LINES AND MUST BE 450mm X 450mm

21mm PVC CONDUIT WITH A #6 GROUND CONDUCTOR CONNECTED TO A GROUND PLATE

SPARE 53mm PVC CONDUIT WITH END CAP

25mm X 1000mm GALVANIZED ANCHOR BOLT (BOLT PATTERN TO BE DETERMINED BY HRM)

**PLAN**

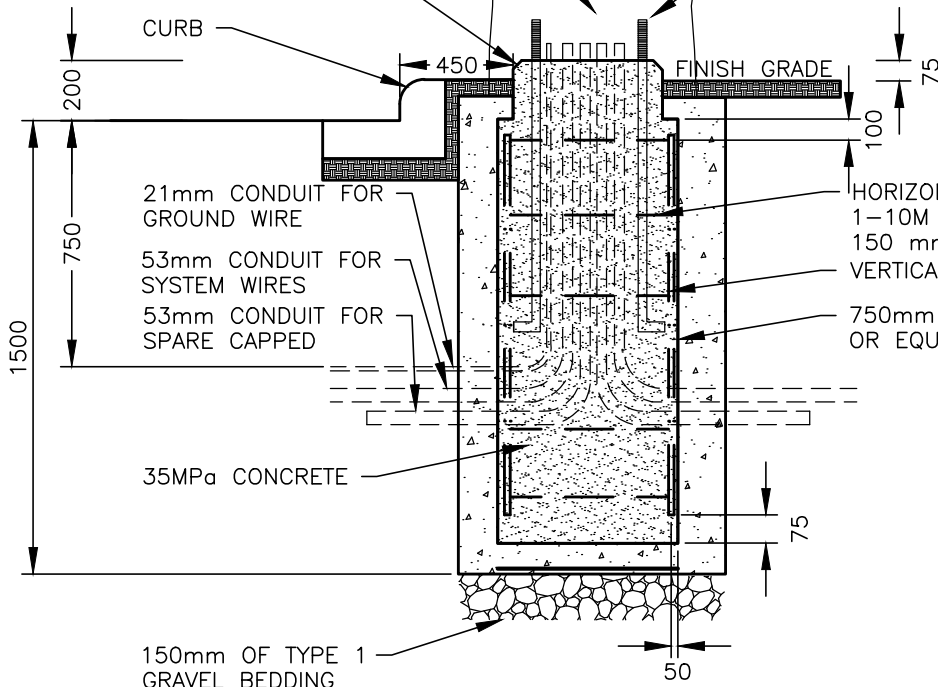
CONDUIT MAXIMUM HEIGHT 50mm

25mm CHAMFER

CURB

25mm X 1000mm LONG GALVANIZED ANCHOR BOLTS MAXIMUM HEIGHT 150mm

FINISH GRADE



35MPa CONCRETE

HORIZONTAL REINFORCING TIES 1-10M AT 300 C-C OR 150 mm x 150mm WWM  
 VERTICAL REINFORCING 8-20M  
 750mm DIAMETER FIBRE TUBING OR EQUIVALENT

150mm OF TYPE 1 GRAVEL BEDDING

**SECTION**

NOTES:

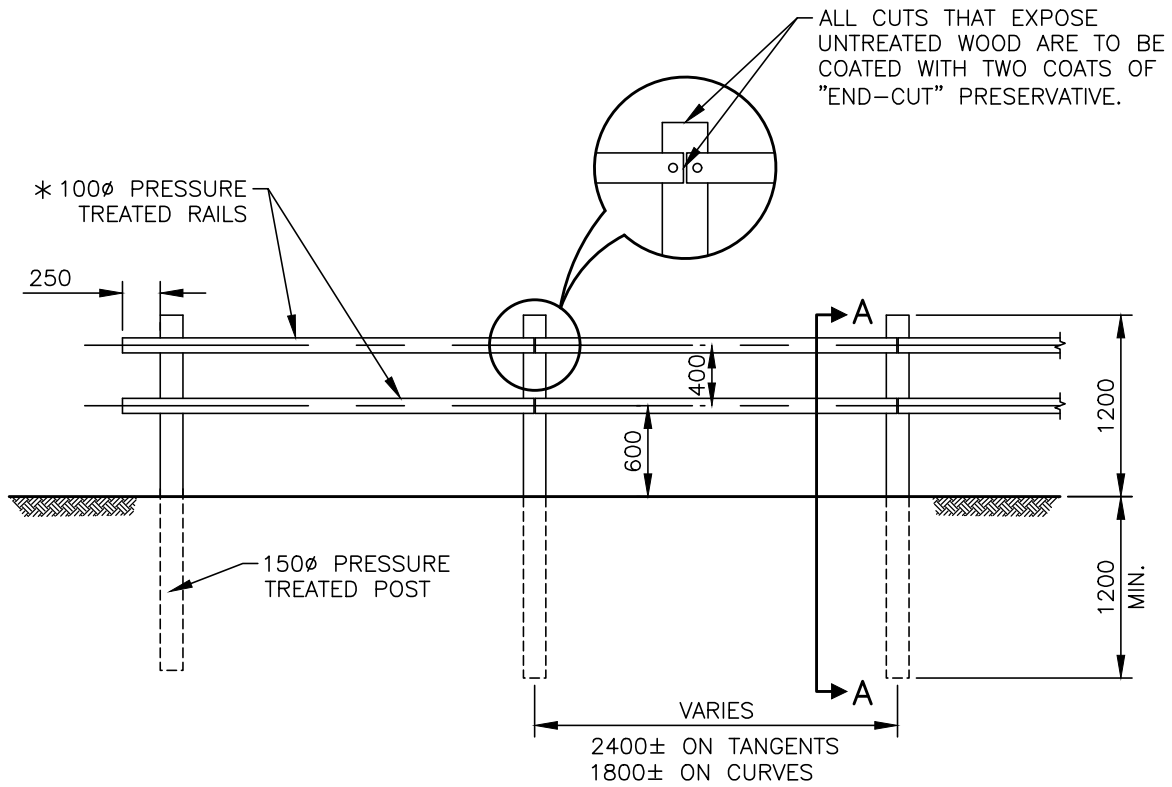
1. ALL WORK MUST BE IN COMPLIANCE WITH THE LATEST EDITION OF THE CANADIAN ELECTRICAL CODE.
2. ALL CONCRETE MUST BE POURED IN ONE POUR.
3. THE THREADS OF THE LEG BOLTS MUST BE LEVEL WITH TOP ON THE CONCRETE BASE.
4. EACH CONCRETE BASE MUST HAVE ITS OWN GROUND PLATE.

**HALIFAX**

STANDARD DETAIL

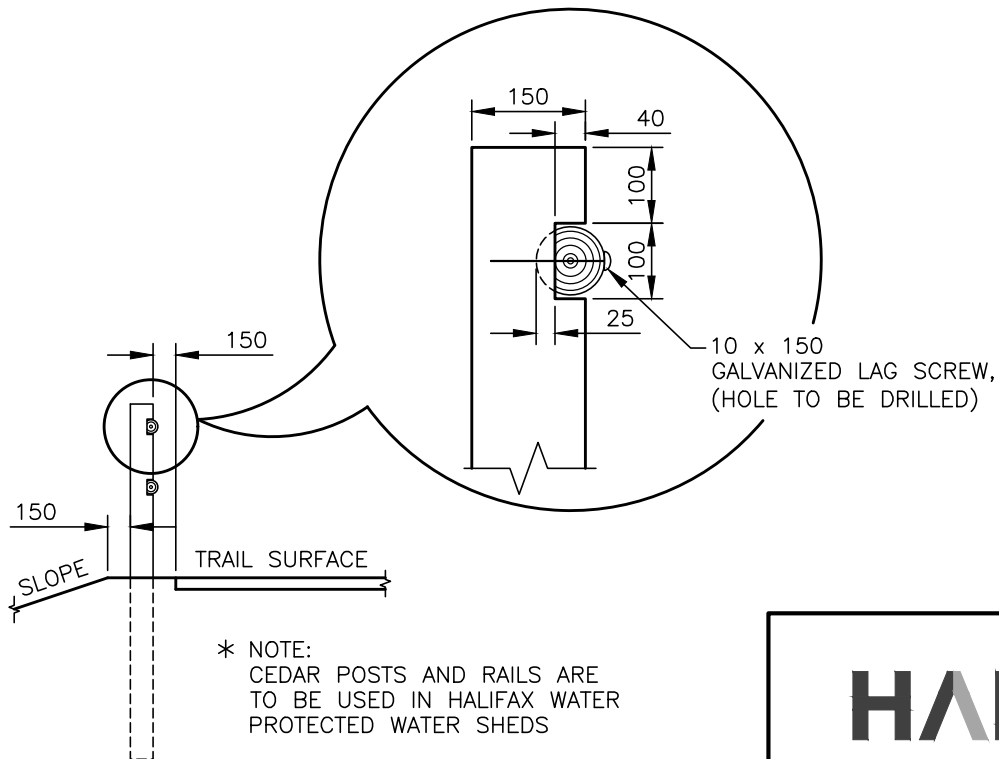
STANDARD ALUMINIUM STREET LIGHT BASE TYPE 2

DATE:	2021	REFERENCE	APPROVED
SCALE:	NTS		FIG No.: HRM 117



**ELEVATION**

SCALE: 1:50



**SECTION A-A**

SCALE 1:50

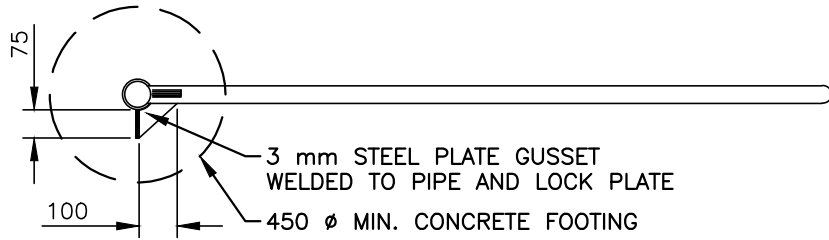
**HALIFAX**

STANDARD DETAIL

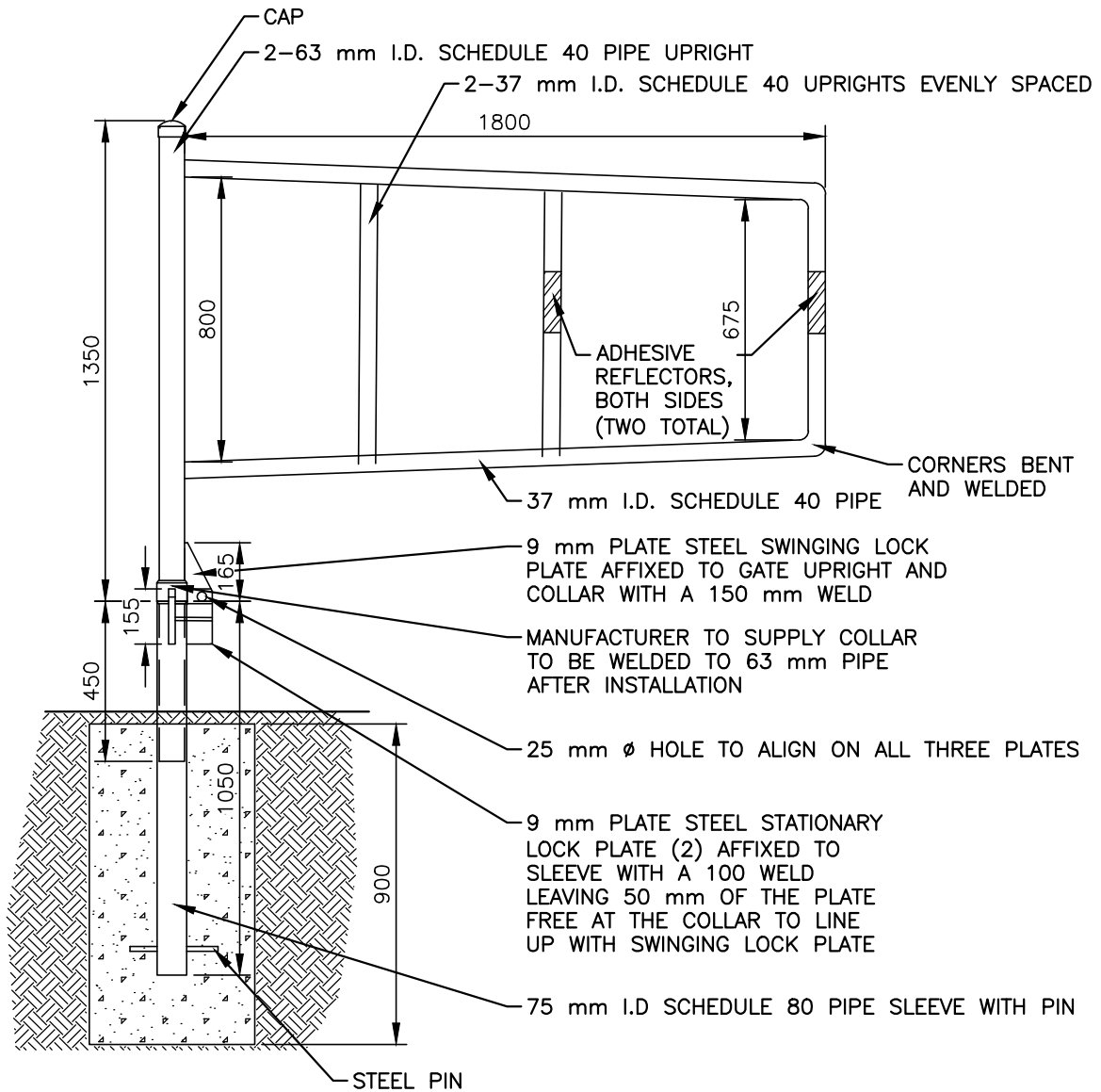
WOODEN FENCE

DATE:	2021	REFERENCE	APPROVED
SCALE:	1:50		FIG No.: <b>HRM 118</b>





PLAN



SECTION

NOTES:

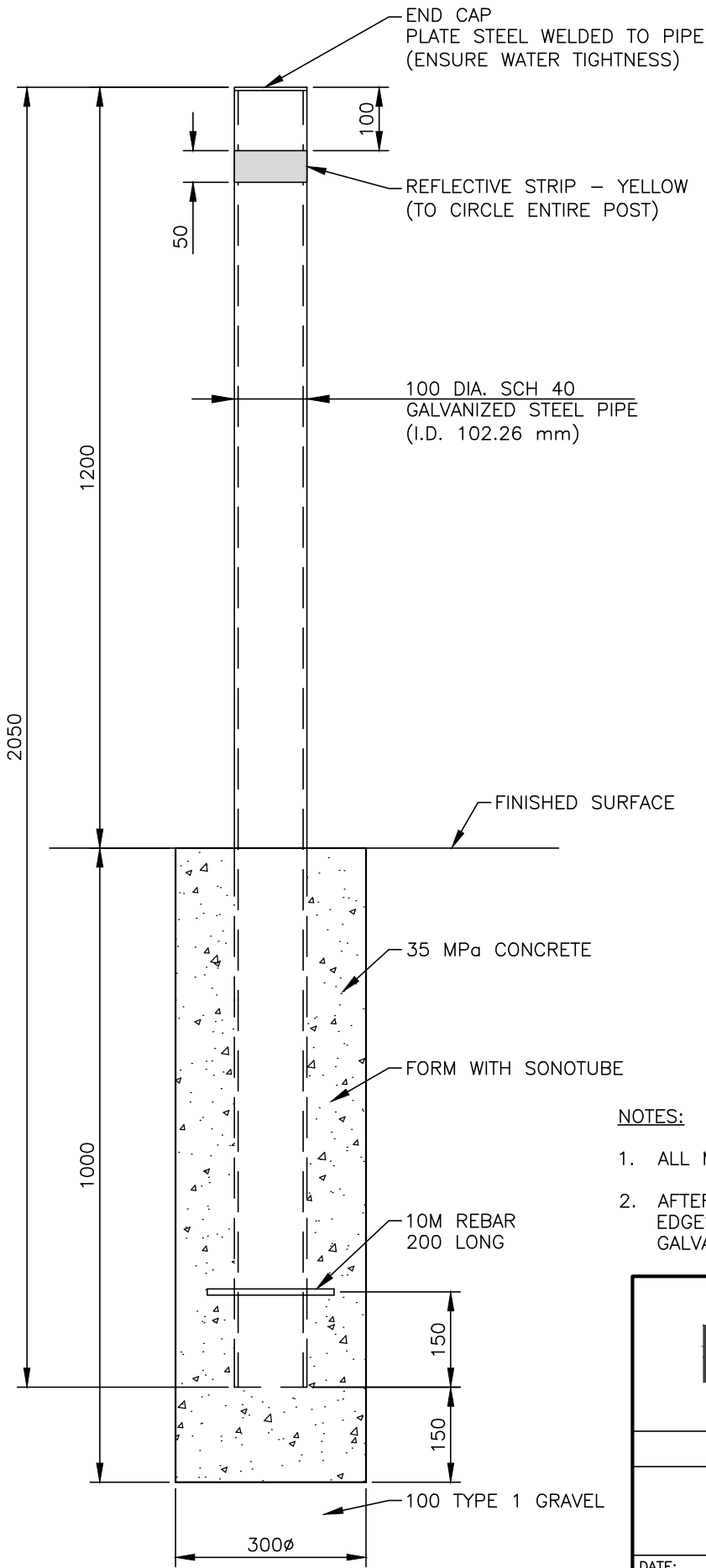
1. ALL PIPE TO BE GALVANIZED EXCEPT 75 mm GROUND SLEEVE (BLACK IRON)
2. ALL WORK TO BE DONE ACCORDING TO HRM SPECIFICATIONS
3. ALL METAL TO RECEIVE ONE COAT OF RUST INHIBITING PRIMER AND TWO COATS OF R&M PAINT E1245 CODE L (HOLLY GREEN) ENAMEL AUTOMOTIVE PAINT.

**HALIFAX**

STANDARD DETAIL

PEDESTRIAN GATE

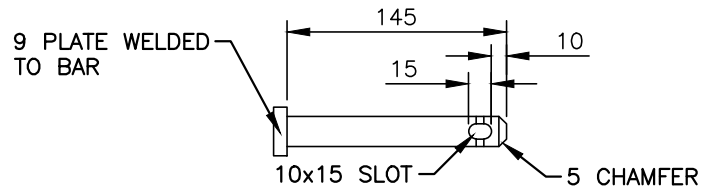
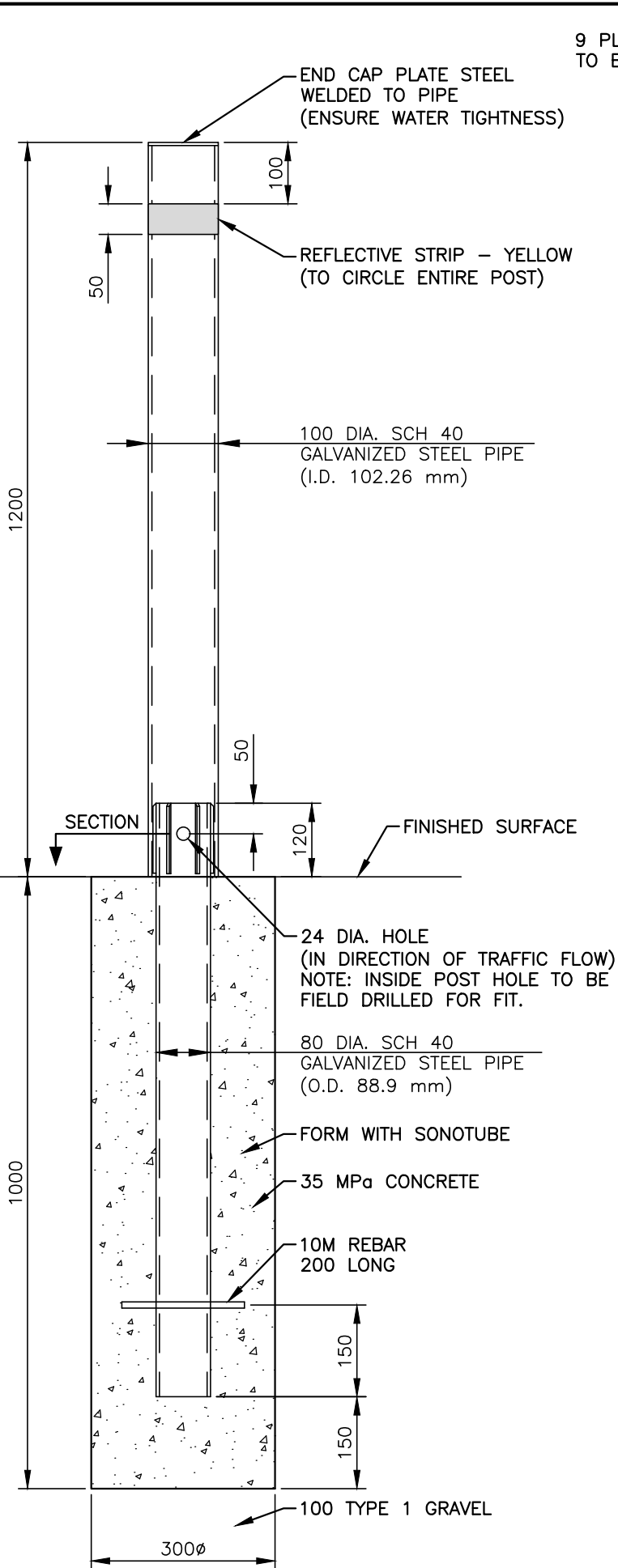
DATE:	2021	REFERENCE	APPROVED
SCALE:	NTS		FIG No.: <b>HRM 119</b>



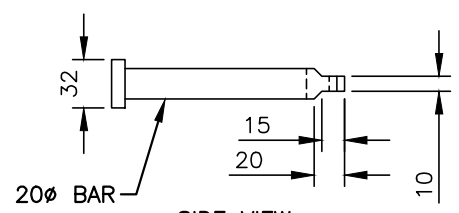
**NOTES:**

1. ALL METAL TO BE HOT DIPPED GALVANIZED.
2. AFTER INSTALLATION, ANY EXPOSED METAL EDGES SHALL BE PROTECTED WITH COLD GALVANIZING.

HALIFAX		
STANDARD DETAIL		
BOLLARD		
DATE:	REFERENCE	APPROVED
2021		
SCALE:		FIG No.:
NTS		HRM 120

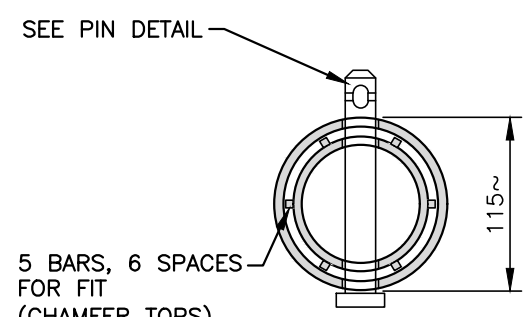


TOP VIEW



SIDE VIEW

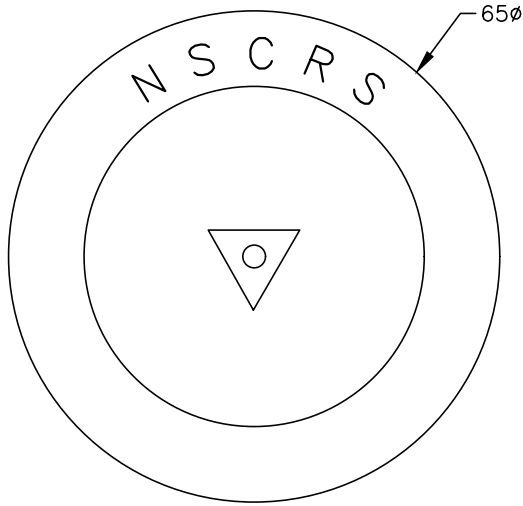
PIN DETAIL



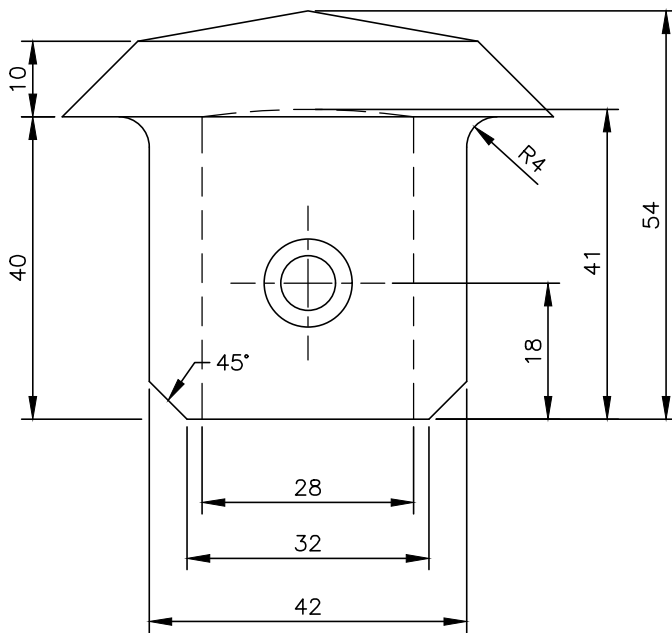
SECTION

- NOTES:
1. ALL METAL TO BE HOT DIPPED GALVANIZED.
  2. AFTER INSTALLATION, ANY EXPOSED METAL EDGES SHALL BE PROTECTED WITH COLD GALVANIZING.
  3. DIMENSIONS ARE IN MILLIMETRES.

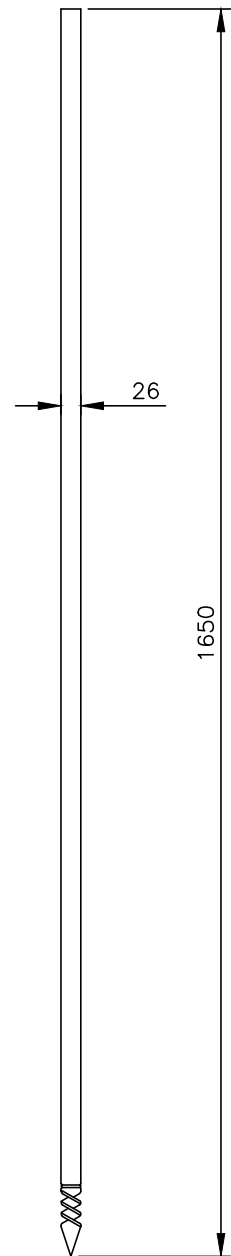
<b>HALIFAX</b>		
STANDARD DETAIL		
<b>BOLLARD - REMOVABLE</b>		
DATE:	2021	REFERENCE
SCALE:	NTS	APPROVED
		FIG No.:
		HRM 121



PLAN



SECTION



NOTE:

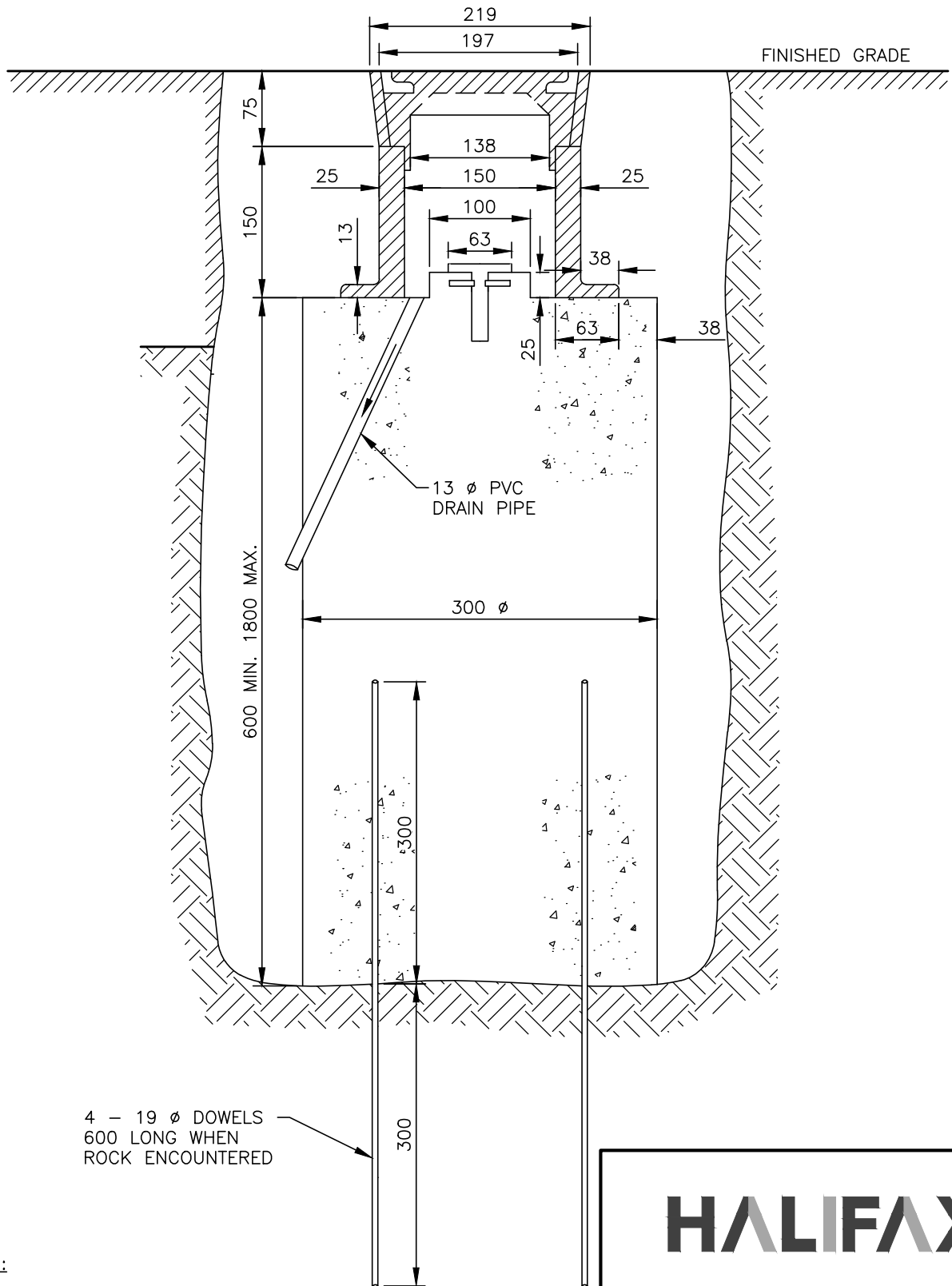
DIMENSIONS ARE IN MILLIMETRES.

**HALIFAX**

STANDARD DETAIL

**SURVEY MONUMENT**

DATE:	2021	REFERENCE	APPROVED
SCALE:	NTS		FIG No.: <b>HRM 122</b>



4 - 19 ø DOWELS  
600 LONG WHEN  
ROCK ENCOUNTERED

**NOTES:**

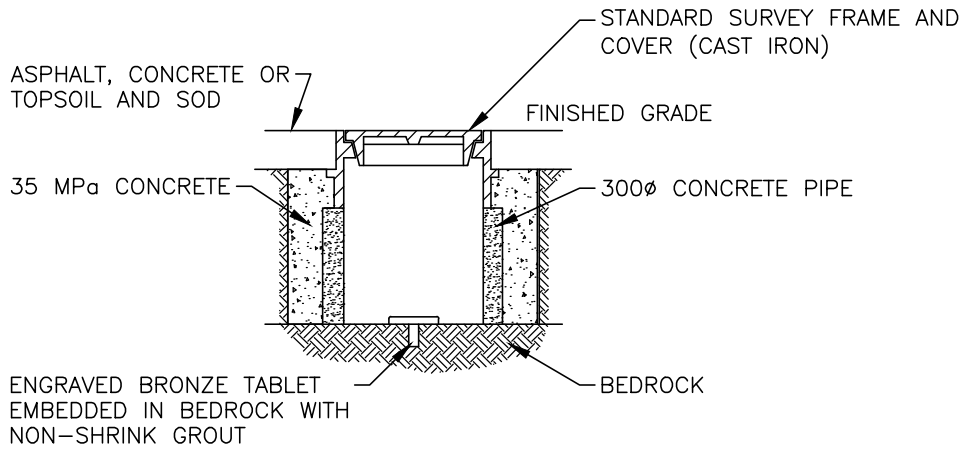
1. WHEN ROCK BASE IS ENCOUNTERED. ANCHORS OR DOWELING TO BE USED.
2. CAST IRON FRAME AND COVER TO BE SUPPLIED BY HRM.
3. DIMENSIONS ARE IN MILLIMETRES.

**HALIFAX**

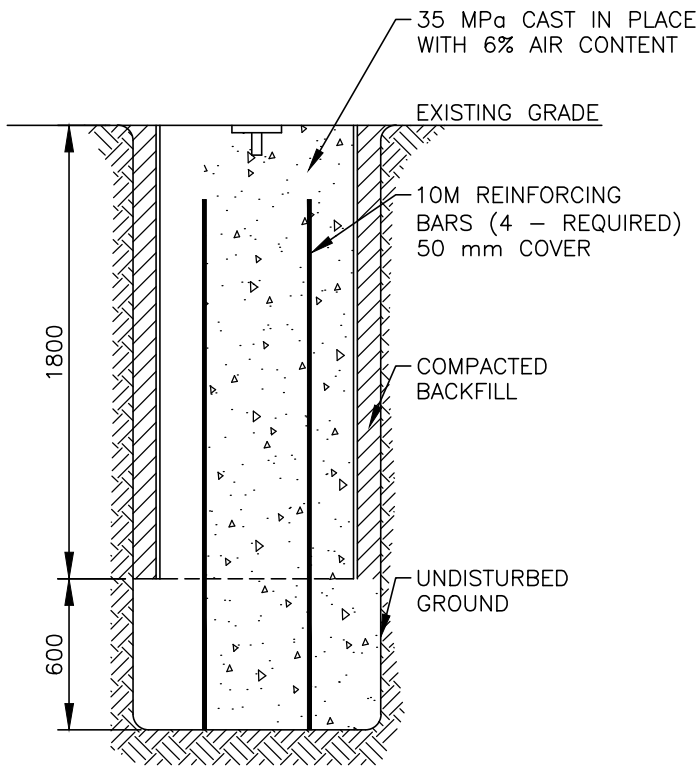
STANDARD DETAIL

**SURVEY MONUMENT  
TYPE I**

DATE:	2021	REFERENCE	APPROVED
SCALE:	NTS		FIG No.: <b>HRM 124</b>



**WHEN BEDROCK ENCOUNTERED BETWEEN 150 AND 450 BELOW SURFACE**



ENGRAVED BRONZE TABLET SUPPLIED AND INSTALLED BY HRM

250  $\phi$  SONOTUBE FORM OR EQUIVALENT

GROUT REBARS IN BEDROCK WITH 20 MPa MORTAR MIX

**WHEN BEDROCK ENCOUNTERED BETWEEN 450 AND 1800 BELOW SURFACE**

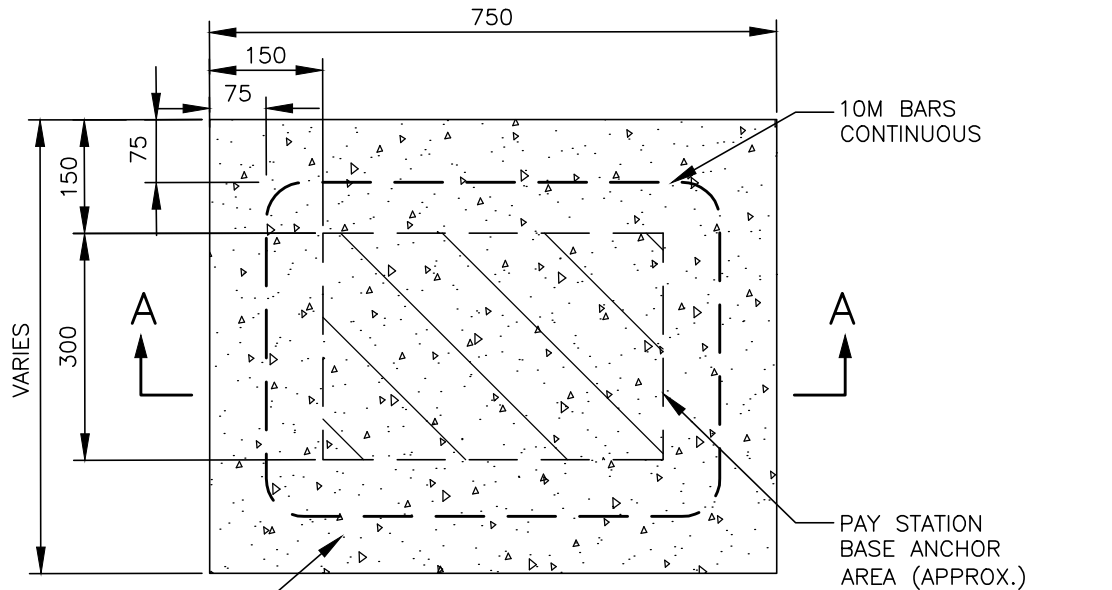
**WHEN BEDROCK IS NOT ENCOUNTERED 2400 + BELOW SURFACE**

**HALIFAX**

STANDARD DETAIL

**SURVEY MONUMENT TYPE II**

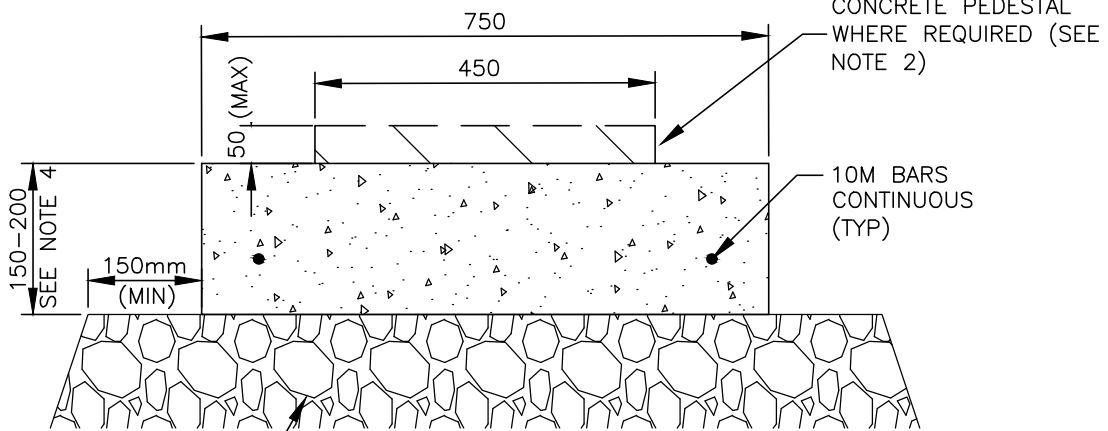
DATE:	2021	REFERENCE	APPROVED
SCALE:	NTS		FIG No.: <b>HRM 125</b>



BROOM FINISH  
TOP OF BASE

**PLAN**

N.T.S.



150mm TYPE 1  
GRAVEL BASE

**SECTION A-A**

N.T.S.

**NOTES :**

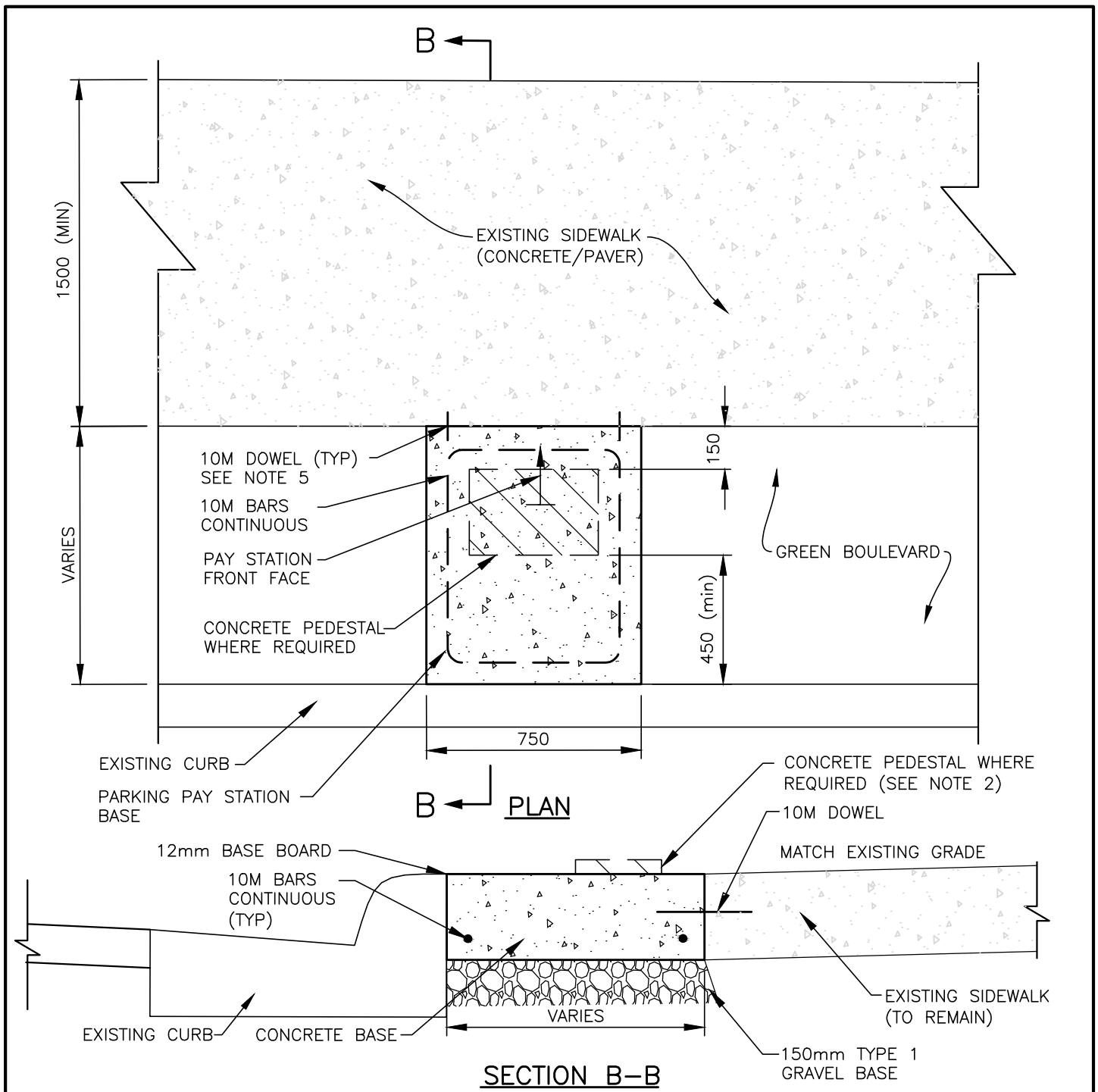
1. BASE TOP SHALL BE FLUSH WITH EXISTING SIDEWALK.
2. INSTALL LEVEL PEDESTAL WITH BASE WHERE EXISTING GRADE EXCEEDS 3.5%.
3. CONCRETE MUST BE PLACED IN A SINGLE POUR.
4. CONCRETE BASE TO BE 200mm UNDER PAY STATION BASE ANCHOR AREA. MIN 150mm OTHERWISE
5. DOWEL INTO EXISTING SIDEWALK WHERE PRESENT. MIN 2-10M DOWELS EACH SIDE. 150mm EMBEDMENT.
6. ENSURE EXISTING SIDEWALK IS NOT UNDERMINED BY WORK.
7. BROOM FINISH AND EDGE PERIMETER OF ALL EXPOSED CONCRETE SURFACES.

**HALIFAX**

STANDARD DETAIL

**PARKING PAY STATION BASE  
(TYPICAL)**

DATE:	2021	REFERENCE	APPROVED
SCALE:	AS NOTED	FIG No.:	HRM 126A



**NOTES:**

1. BASE TOP SHALL BE FLUSH WITH EXISTING SIDEWALK.
2. INSTALL LEVEL PEDESTAL WITH BASE WHERE EXISTING GRADE EXCEEDS 3.5%.
3. CONCRETE MUST BE PLACED IN A SINGLE POUR.
4. CONCRETE BASE TO BE 200mm UNDER PAY STATION BASE ANCHOR AREA. MIN 150mm OTHERWISE
5. DOWEL INTO EXISTING SIDEWALK WHERE PRESENT. MIN 2-10M DOWELS EACH SIDE. 150mm EMBEDMENT.
6. ENSURE EXISTING SIDEWALK IS NOT UNDERMINED BY WORK.
7. BROOM FINISH AND EDGE PERIMETER OF ALL EXPOSED CONCRETE SURFACES.

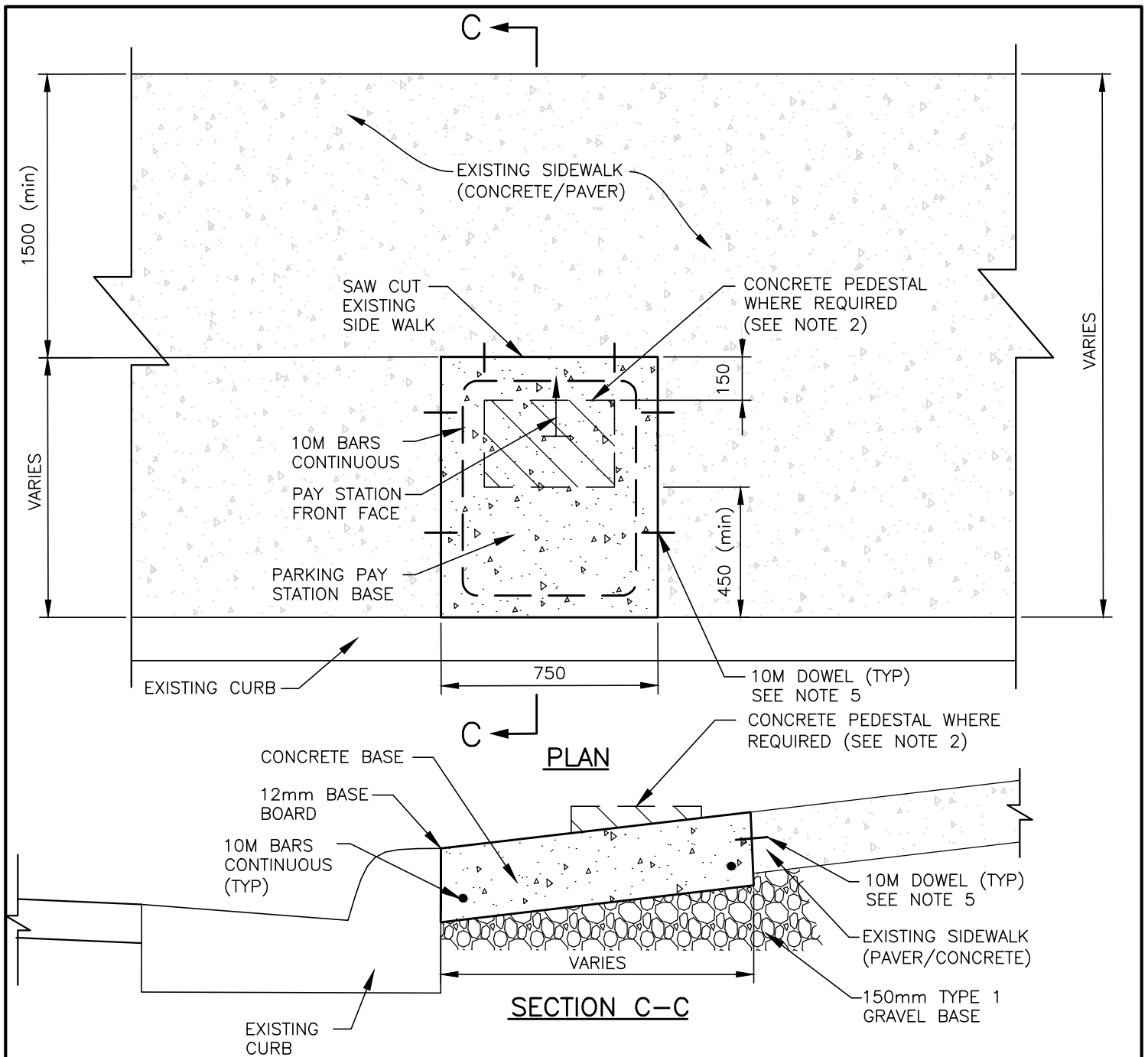
# HALIFAX

**STANDARD DETAIL**

**PARKING PAY STATION BASE  
ON EXISTING GREEN BOULEVARD**

DATE: 2021	REFERENCE	APPROVED
SCALE: AS NOTED		FIG No.: <b>HRM 126B</b>





**NOTES :**

1. BASE TOP SHALL BE FLUSH WITH EXISTING SIDEWALK.
2. INSTALL LEVEL PEDESTAL WITH BASE WHERE EXISTING GRADE EXCEEDS 3.5%.
3. CONCRETE MUST BE PLACED IN A SINGLE POUR.
4. CONCRETE BASE TO BE 200mm UNDER PAY STATION BASE ANCHOR AREA. MIN 150mm OTHERWISE
5. DOWEL INTO EXISTING SIDEWALK WHERE PRESENT. MIN 2-10M DOWELS EACH SIDE. 150mm EMBEDMENT.
6. ENSURE EXISTING SIDEWALK IS NOT UNDERMINED BY WORK.
7. BROOM FINISH AND EDGE PERIMETER OF ALL EXPOSED CONCRETE SURFACES.

HALIFAX		
STANDARD DETAIL		
PARKING PAY STATION BASE ON EXISTING SIDEWALK		
DATE:	REFERENCE	APPROVED
2021		
SCALE:		FIG No.:
AS NOTED		HRM 126C



# HALIFAX

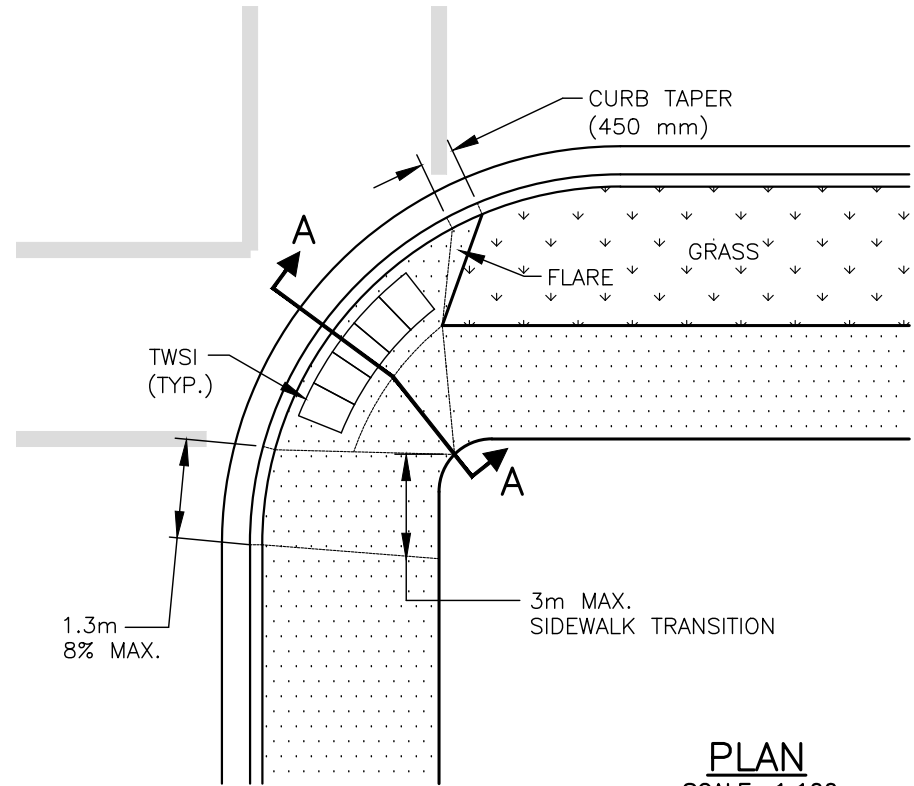
STANDARD DETAIL

CORE BOUNDARY

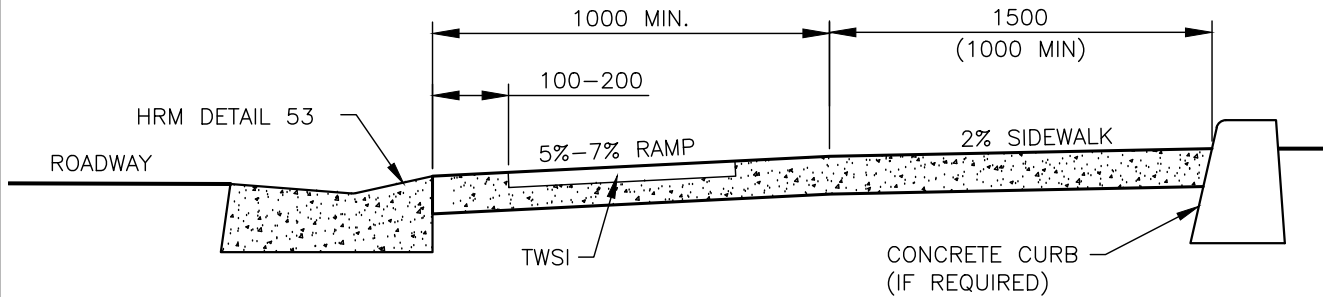
DATE:	2021	REFERENCE	APPROVED
SCALE:	1:250,000		FIG No.: <b>HRM 127</b>

NOTES:

1. NATURAL CAST IRON ATTENTION TWSI (TACTILE WALKING SURFACE INDICATOR) PLATES. TO CSA B651, AND AS INDICATED IN THE PROJECT DOCUMENTS.
2. MAXIMUM GAP BETWEEN PLATES AND START OF TAPER TO BE 100mm.
3. PLATES SHALL BE PLACED WITH THE TOP OF THE BASE PLATE (BOTTOM OF DOMES) LEVEL WITH CONCRETE SURFACE.
4. ALL PLATES TO BE 610mm LONG.
5. TO BE READ IN CONJUNCTION WITH HRM DETAIL 49 PEDESTRIAN RAMP ALIGNMENT.
6. SIZE AND SHAPE OF PLATES TO MANUFACTURER'S SPECIFICATION.



**PLAN**  
SCALE: 1:100



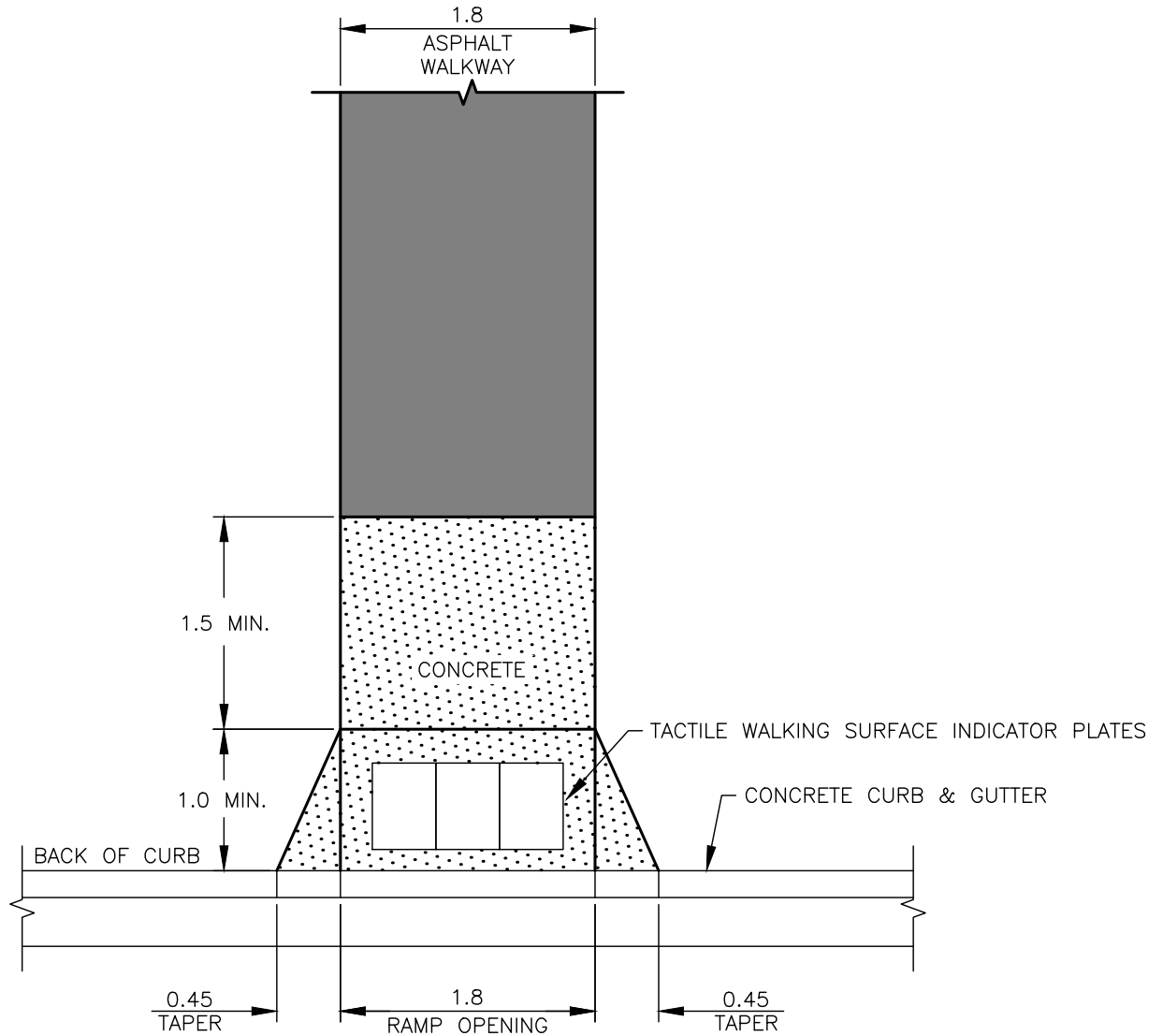
**CROSS SECTION A-A**  
SCALE 1:20

**HALIFAX**

STANDARD DETAIL

**TACTILE WALKING SURFACE  
INDICATOR RAMP PLACEMENT**

DATE: 2021	REFERENCE	APPROVED
SCALE: AS NOTED		FIG No.: <b>HRM 131</b>



**NOTES:**

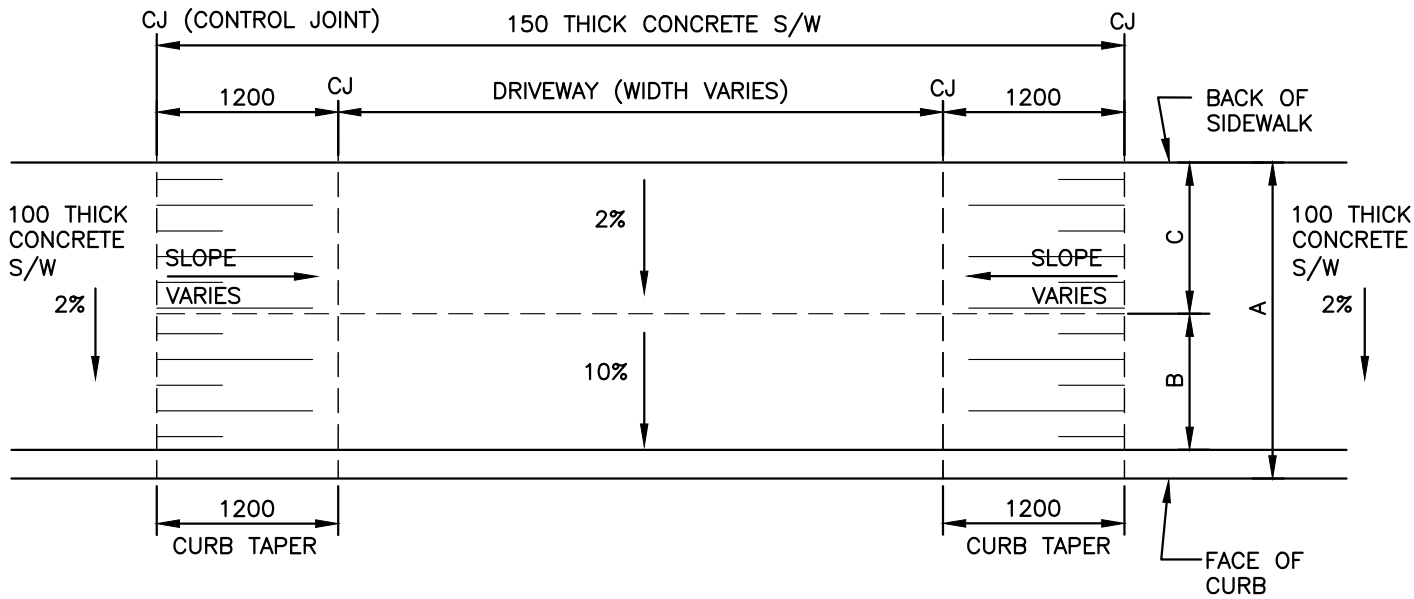
1. CONCRETE PEDESTRIAN RAMP TO HRM DETAIL 49.
2. CONCRETE CURB & GUTTER TO HRM DETAIL 53.
3. TACTILE WALKING SURFACE INDICATOR PLATES TO HRM DETAIL 131.
4. ASPHALT WALKWAY TO HRM DETAIL 40.

**HALIFAX**

STANDARD DETAIL

WALKWAY WITH  
PEDESTRIAN RAMP

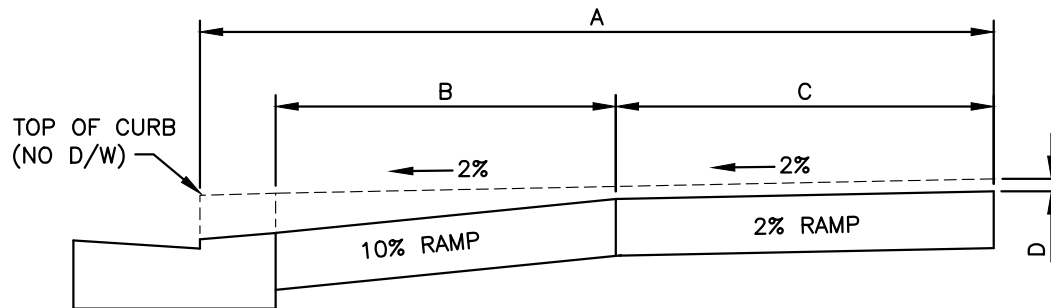
DATE:	2021	REFERENCE	APPROVED
SCALE:	1:50		FIG No.: HRM 132



A	B	C	D
1800	600	1000	57
1900	700	1000	49
2000	800	1000	41
2100	900	1000	33
2200	900	1100	33
2300	900	1200	33
2400	900	1300	33
2500	900	1400	33
2600	900	1500	33
2700	1000	1500	24
2800	1100	1500	16
2900	1200	1500	8
3000	1300	1500	0

NOTES:

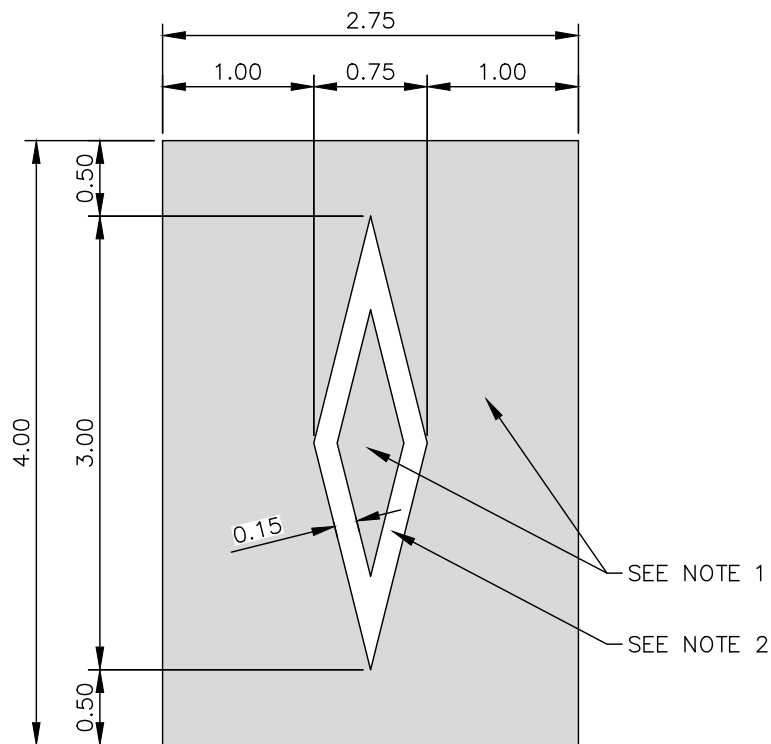
1. WHEN ADJACENT DRIVEWAYS ARE LESS THAN 2.4 METERS APART, DO NOT TAPER CURB AND SIDEWALK BETWEEN DRIVEWAYS.
2. AREA BEHIND DROPPED S/W MAY REQUIRE BUILD UP WITH PAVEMENT OR CURB TO PREVENT ENTRY OF STORM WATER DURING MAJOR STORM.



**HALIFAX**

STANDARD DETAIL  
CONCRETE SIDEWALK  
ADJACENT CURB

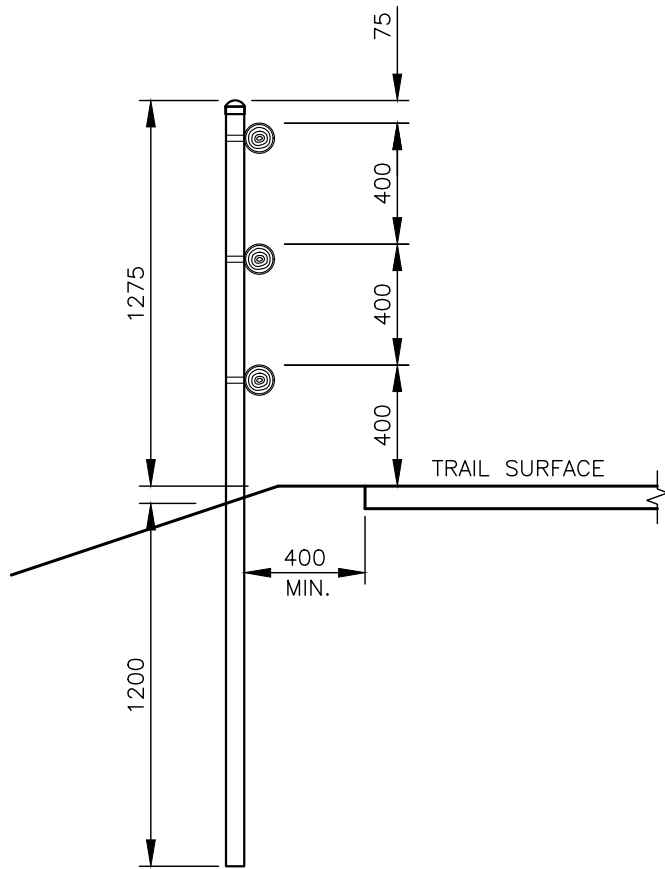
DATE:	2021	REFERENCE	APPROVED
SCALE:	AS NOTED		FIG No.: <b>HRM 133</b>



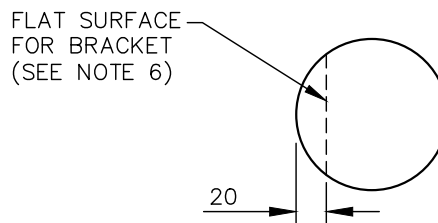
**NOTE:**

1. PERMANENT PAVEMENT MARKING FOR IN-LAY SHALL BE RED.
2. PERMANENT PAVEMENT MARKING FOR RESERVED LANE SYMBOL SHALL BE WHITE.
3. DIMENSIONS ARE IN METRES.

<h1>HALIFAX</h1>		
<b>STANDARD DETAIL</b>		
<b>RED IN-LAY RESERVED LANE</b>		
DATE:	REFERENCE	APPROVED
2021		
SCALE:		FIG. NO.
1:50		<b>HRM 134</b>



FENCE SECTION



WOODEN RAIL SECTION AT POST

NOTES:

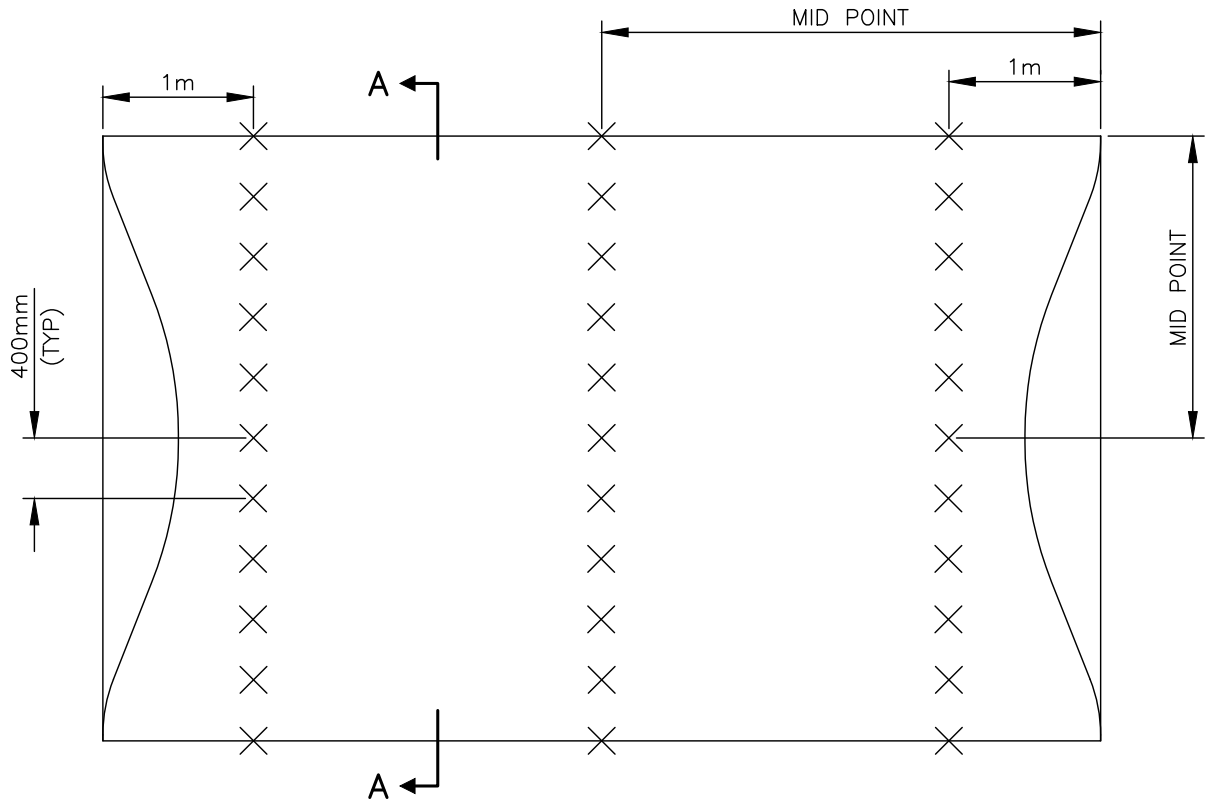
1. POSTS 60 mm O.D. HOT DIPPED GALVANIZED COLD ROLLED STEEL (ASTM A53 GRADE A, SCHEDULE 40), ZINC-COATED AT MINIMUM 550 G/SM.
2. UNLESS OTHERWISE APPROVED BY ENGINEER, DRILL POST HOLES WITH 125 mm MAXIMUM DIAMETER BIT. STABILIZE GROUND AROUND POSTS WITH CEMENT GROUT AND MECHANICAL COMPACTOR.
3. THERE SHALL BE NO EXPOSED (NON-GALVANIZED) STEEL, EXCEPT THE TOP OF THE POSTS (PRIOR TO PLACEMENT OF CAPS).
4. POST SPACING OF 2.4 m EXCEPT LESS ON TIGHT TURNS TO MAINTAIN TRAIL WIDTH.
5. GALVANIZED STEEL CAPS TO BE SET SECURELY OVER TOP OF POSTS (WELDING NOT PERMITTED).
6. RAILS 95-115 mm DIAMETER SMOOTH UNTREATED HEMLOCK WOOD (NO CHECKS, SPLITS OR WIND SHAKES). OUTSIDE EDGES OF ABUTTING ENDS OF RAILS SHALL BE FLUSH (WITHIN 5 mm). PROVIDE FLAT SURFACE FOR FASTENERS 20 mm FROM BACK OF RAILS WHICH CAN BE THE FULL LENGTH OF THE RAILS.
7. ENDS OF RAILS SHALL LINE UP WITH CENTRE OF POSTS EXCEPT AT END POSTS WHERE THE RAILS SHALL EXTEND 100 mm PAST THE CENTRE OF POSTS.
8. PRE-DRILL WOODEN RAILS FOR OZCO JAWS 60 mm GALVANIZED STEEL BRACKETS (OZCO ITEM #51824, 24 PACK)
9. BEND FLANGES OF BRACKETS TO ANGLE REQUIRED WHEN FENCE IN ON A HORIZONTAL CURVE.
10. MATERIALS AND CONSTRUCTION SHALL BE IN ACCORDANCE WITH THE LATEST REVISIONS OF THE NOVA SCOTIA BUILDING CODE REGULATIONS AND THE NATIONAL BUILDING CODE OF CANADA.
11. DIMENSIONS ARE IN MILLIMETRES.

**HALIFAX**

STANDARD DETAIL

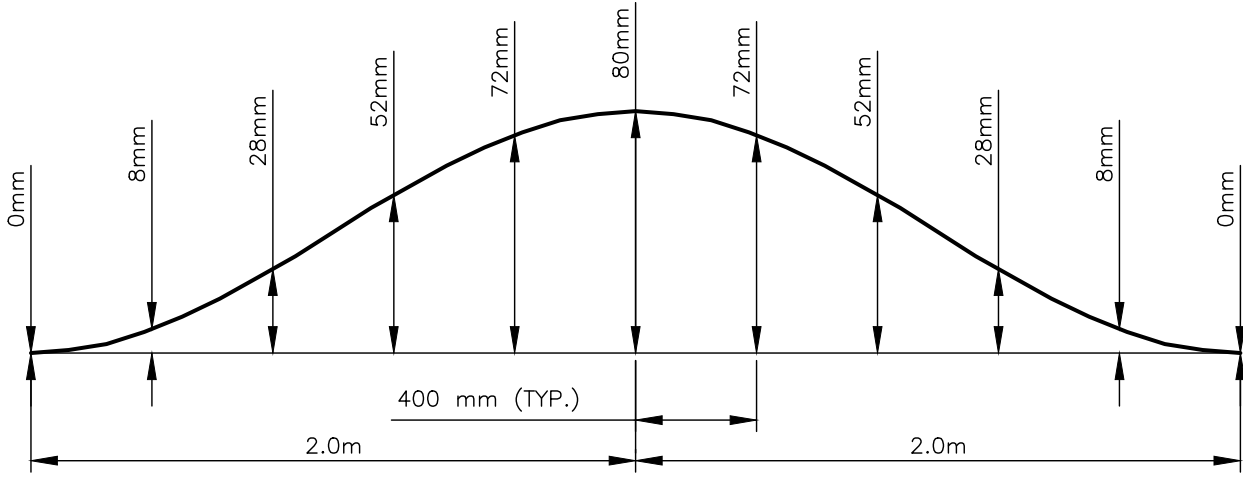
**FENCE DETAIL (ROUND WOODEN RAILS & STEEL POSTS)**

DATE:	2021	REFERENCE	APPROVED
SCALE:	NTS		FIG. NO. HRM 135



**SPEED HUMP**

SCALE: 1:50



**SECTION A-A**

SCALE: Horz. 1:25  
Vert. 1:2.5

- NOTES:  
1. 33 SURVEY SHOTS REQUIRED

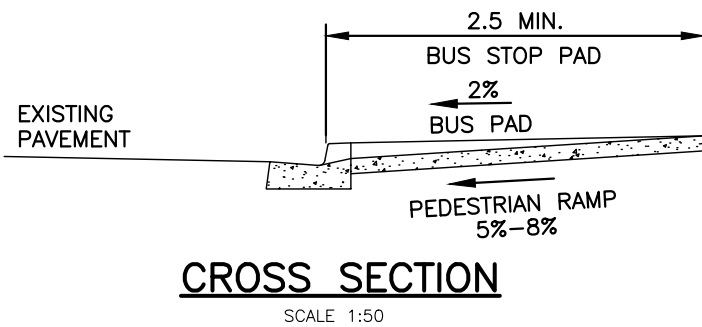
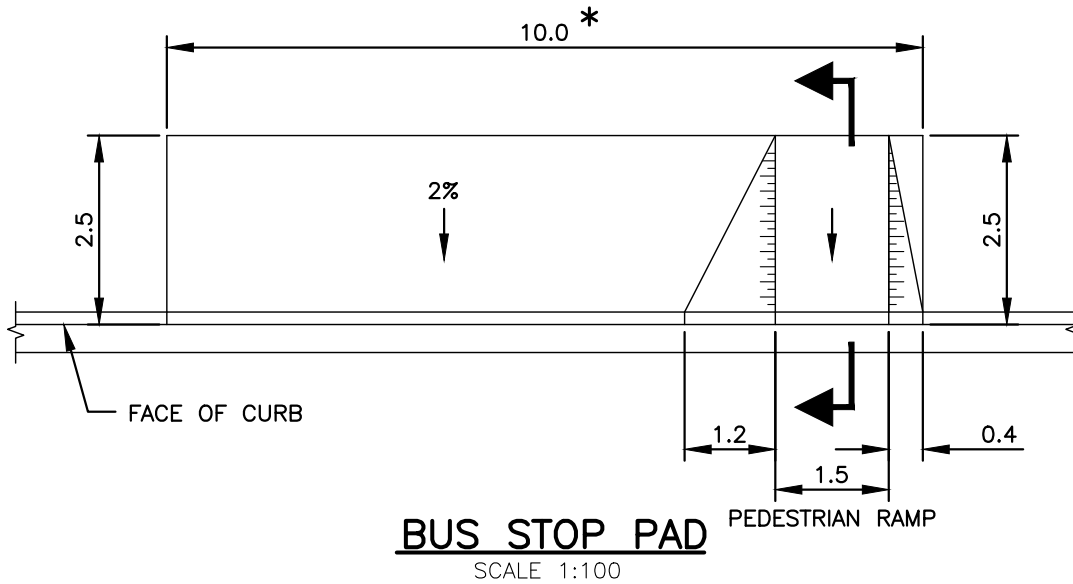
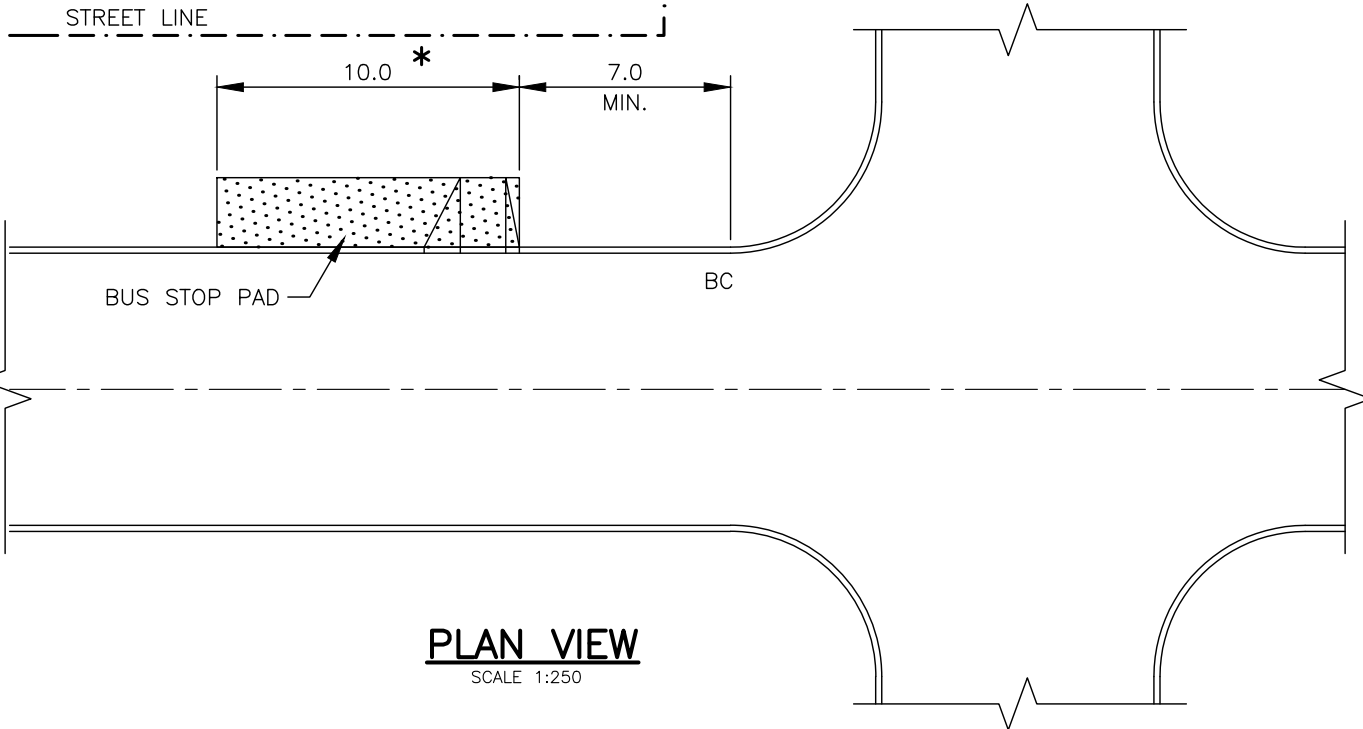
**HALIFAX**

STANDARD DETAIL

**SPEED HUMP  
SURVEY VERIFICATION**

DATE: 2021	REFERENCE	APPROVED
SCALE: AS NOTED		FIG No.: HRM 136





**NOTES:**

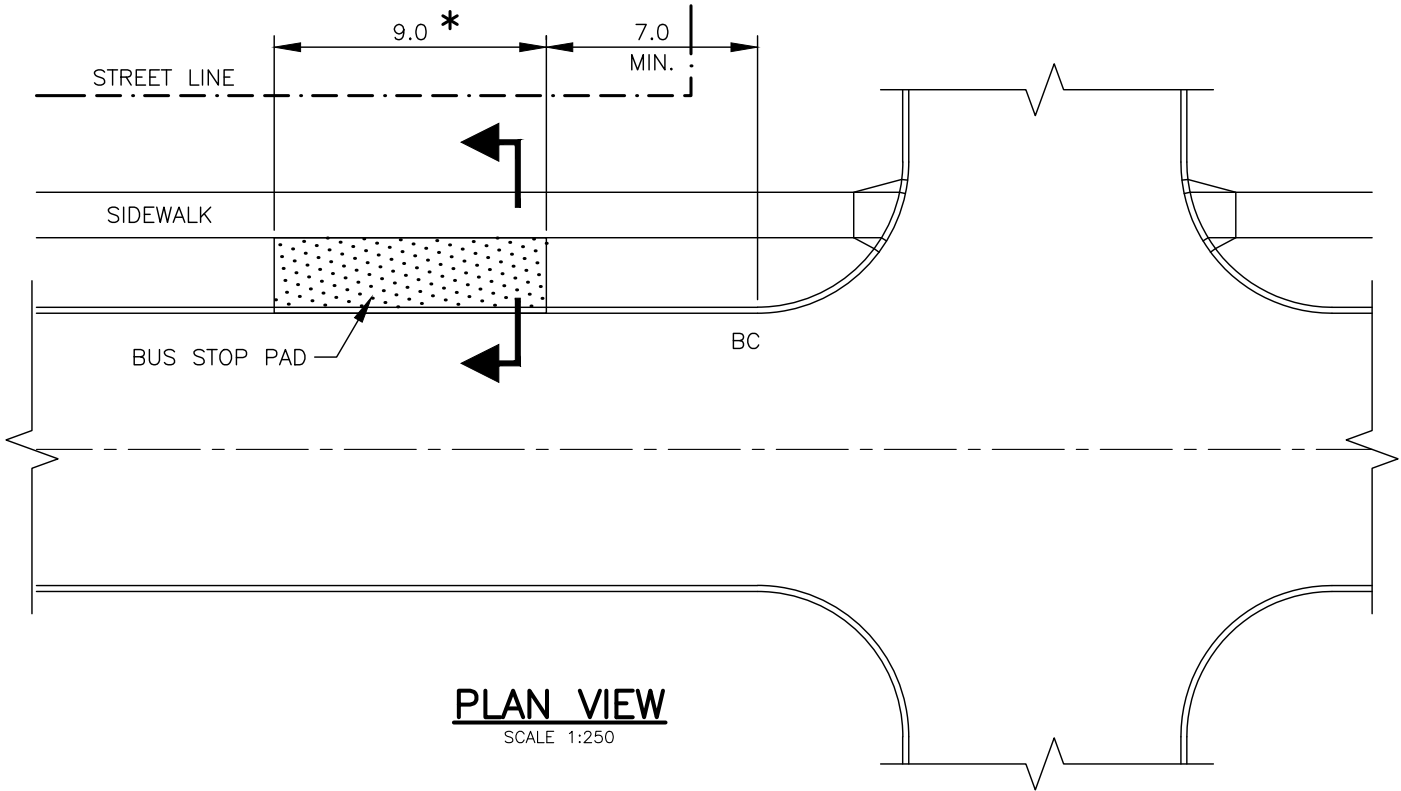
- \* 1. FOR LOW VOLUME BUS ROUTES  
-DECREASE PAD LENGTH TO 5.0 m.
- \* 2. FOR ARTICULATED BUS ROUTES  
-INCREASE PAD LENGTH TO 15.5 m.

**HALIFAX**

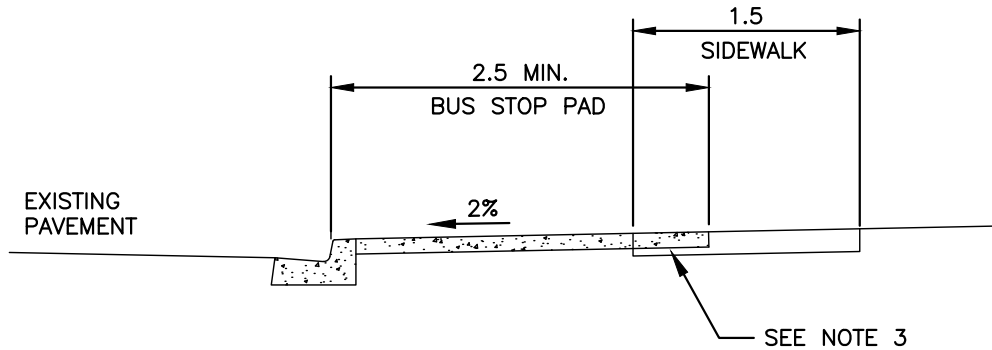
**STANDARD DETAIL**

**CONCRETE BUS STOP LANDING PAD (WITHOUT SIDEWALK)**

DATE: 2021	REFERENCE	APPROVED
SCALE: AS NOTED		FIG No.: <b>HRM 137</b>



**PLAN VIEW**  
SCALE 1:250



**CROSS SECTION**  
SCALE 1:50

**NOTES:**

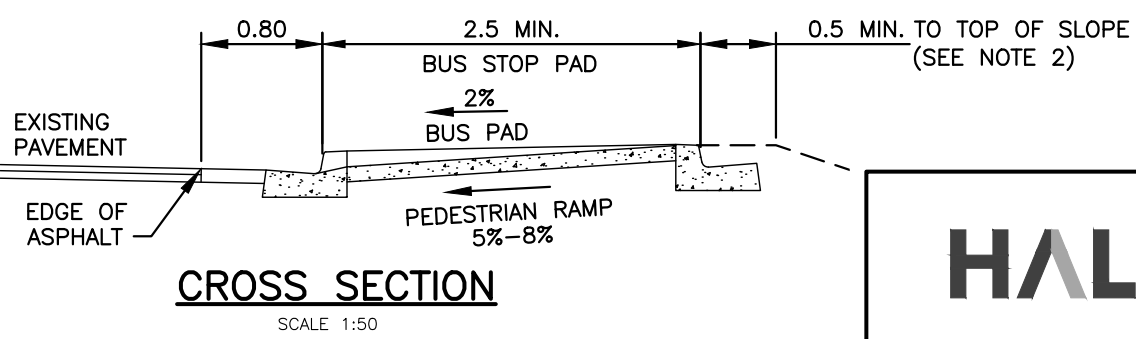
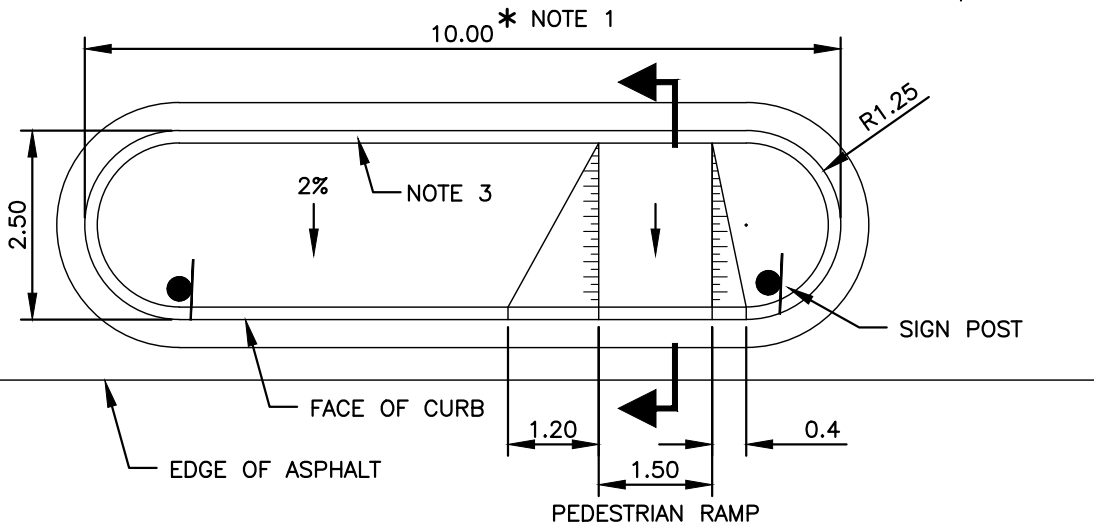
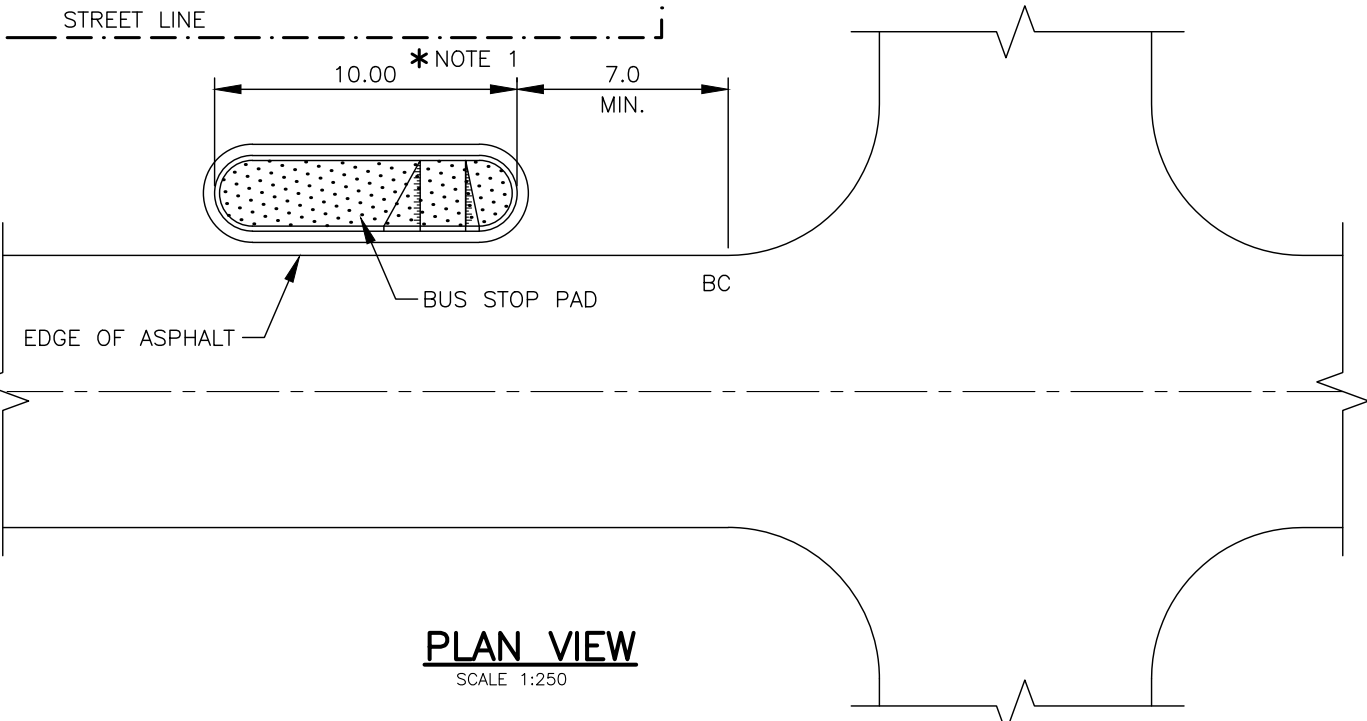
- \* 1. FOR LOW VOLUME BUS ROUTES  
-DECREASE PAD LENGTH TO 4.0 m.
- \* 2. FOR ARTICULATED BUS ROUTES  
-INCREASE PAD LENGTH TO 14.5 m.
- 3. THE 2.5 m WIDE BUS STOP LANDING PAD  
MAY INCLUDE A PORTION OF THE  
SIDEWALK.

**HALIFAX**

**STANDARD DETAIL**

**CONCRETE BUS STOP  
LANDING PAD (WITH SIDEWALK)**

DATE: 2021	REFERENCE	APPROVED
SCALE: AS NOTED		FIG No.: <b>HRM 138</b>



**NOTES:**

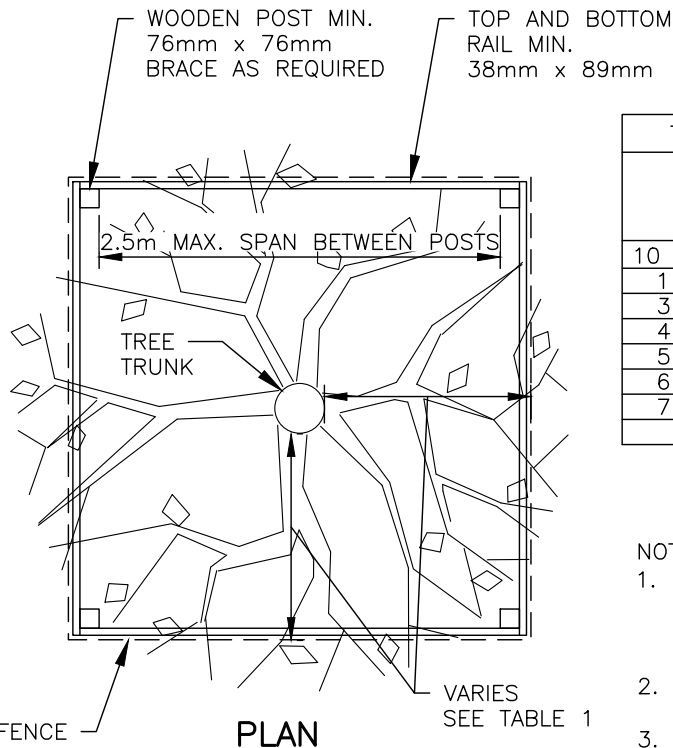
- \* 1. FOR LOW VOLUME BUS ROUTES  
- DECREASE PAD LENGTH TO 5.0 m MINIMUM.
- 2. BACK SIDE CURB MAY BE REMOVED IN AREAS WITH DITCHES.

**HALIFAX**

STANDARD DETAIL

**CONCRETE BUS STOP  
LANDING PAD (WITHOUT CURB)**

DATE: 2021	REFERENCE	APPROVED
SCALE: AS NOTED		FIG No.: <b>HRM 139</b>



**PLAN**

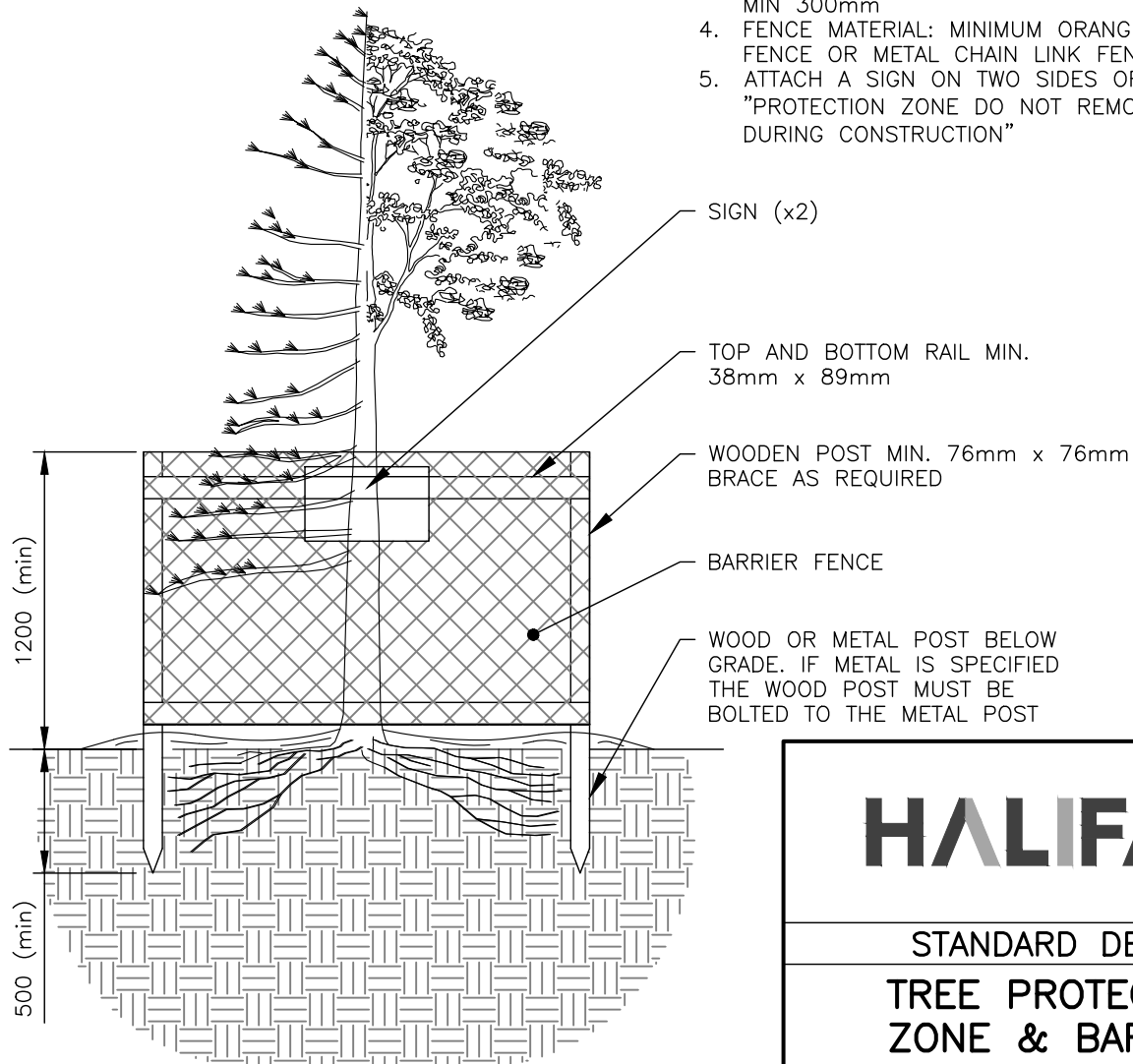
**TABLE 1**

TREE PROTECTION ZONE CALCULATION TABLE

TRUNK DIAMETER (DBH)	MINIMUM PROTECTION DISTANCE REQUIRED (MEASURE FROM THE OUTSIDE EDGE OF TREE TRUNK)
10 CM & UNDER	1.2 METERS
11 – 30 CM	2.0 METERS
31 – 40 CM	3.4 METERS
41 – 50 CM	4.6 METERS
51 – 60 CM	6.0 METERS
61 – 70 CM	7.0 METERS
71 – 80 CM	8.0 METERS
>80 CM	9.0 METERS

**NOTES:**

1. WOOD POST: (MIN. 76mm WIDTH) INSTALLED TO A DEPTH OF 500mm. TOP AND BOTTOM RAIL: (MIN. 38 x 89mm CONSTRUCTION, MAX. SPAN 2.5m), CROSS BRACING AS REQUIRED.
2. NO GROUND DISTURBANCE WITHIN 1.2 METER OF THE TREE TRUNK (I.E. POST INSTALLATION)
3. POSTS SET BACK FROM SIDEWALK AND CURB: MIN 300mm
4. FENCE MATERIAL: MINIMUM ORANGE BARRIER FENCE OR METAL CHAIN LINK FENCE
5. ATTACH A SIGN ON TWO SIDES OF THE TREE "PROTECTION ZONE DO NOT REMOVE FENCE DURING CONSTRUCTION"



**PROFILE**

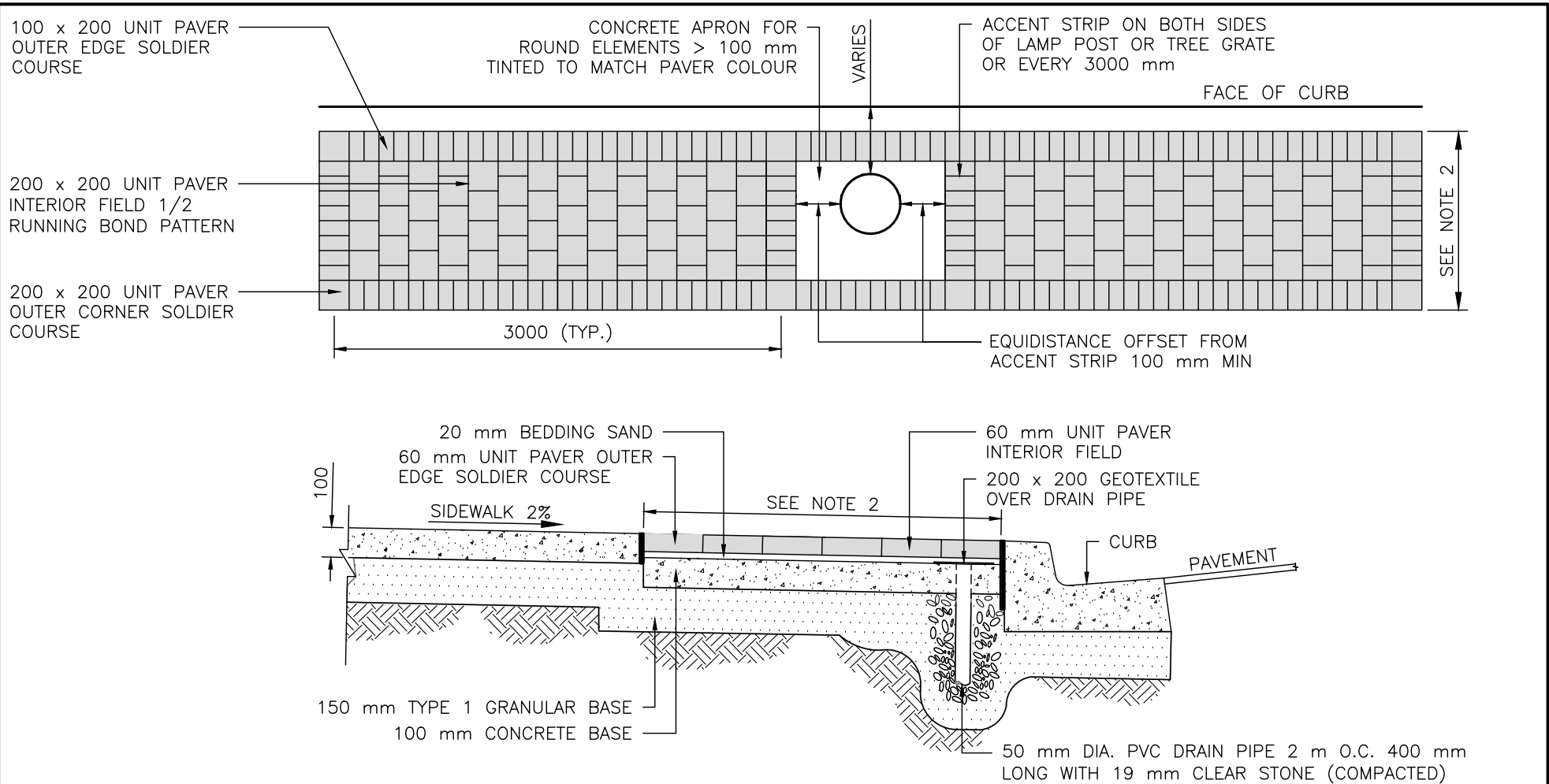
# HALIFAX

---

**STANDARD DETAIL**

**TREE PROTECTION ZONE & BARRIER**

DATE:	REFERENCE	APPROVED
2021		
SCALE:		FIG No.:
NTS		HRM 140



**NOTES:**

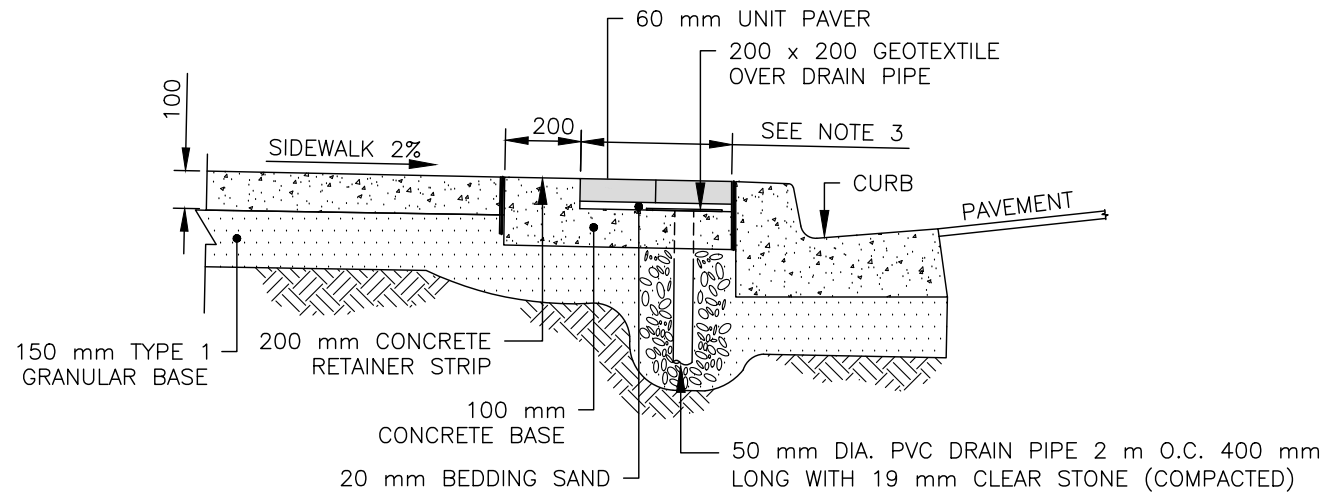
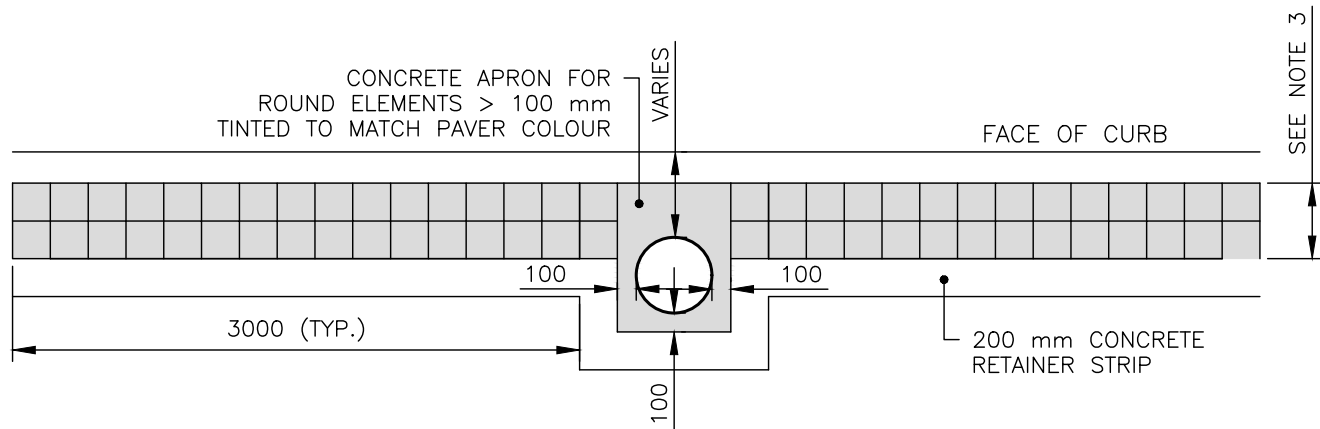
1. INSTALL DECORATIVE PAVING EDGE IN LIEU OF GRASS BOULEVARD WHERE SHOWN ON MAP 301, OR AS DIRECTED BY ENGINEER
2. PAVER EDGE SHALL NOT REDUCE THE CLEAR SIDEWALK WIDTH TO LESS THAN 2.1m AND SHALL CONSIST OF AN EVEN MULTIPLE OF UNIT PAVERS TO A MAXIMUM OF 1.2 m WIDE.
3. OMIT PAVER EDGE IF SIDEWALK IS LESS THAN 2.8 m WIDE, UNLESS OTHERWISE DIRECTED BY ENGINEER
4. PAVER COLOUR DEFINED ON MAP 301 OR AS DIRECTED BY ENGINEER.
5. TERMINATE UNIT PAVER EDGE TREATMENT AT START OF CORNER RADIUS AND BEFORE DRIVEWAY RAMP
6. ALL PAVERS TO BE PRECAST CONCRETE 60mm THICK.
7. SET PAVERS 2-3 mm ABOVE SURROUNDING CONCRETE SURFACES TO ACCOMMODATE FUTURE SETTLEMENT
8. STREET FURNITURE LOCATIONS MUST BE APPROVED BY ENGINEER (E.G. BICYCLE RACKS, BENCHES, WASTE RECEPTACLES, ETC.), AND BOLTED TO CONCRETE BELOW PAVERS.
9. FILL VOID BETWEEN PAVERS WITH POLYMERIC SAND.
10. CONCRETE APRON REQUIRED FOR ROUND ELEMENTS >100mm DIAMETER (E.G. UTILITY POLES, LIGHT POLES, MANHOLE COVERS, VALVE COVERS, ETC) TINTED TO MATCH INTERIOR FIELD PAVER COLOUR
11. FOR ROUND ELEMENTS < 100MM DIAMETER OMIT CONCRETE APRON.

# HALIFAX

STANDARD DETAIL

## DECORATIVE PAVING EDGE

DATE:	2021	REFERENCE	APPROVED
SCALE:	NTS		FIG No.:
			<b>HRM 141</b>



**NOTES:**

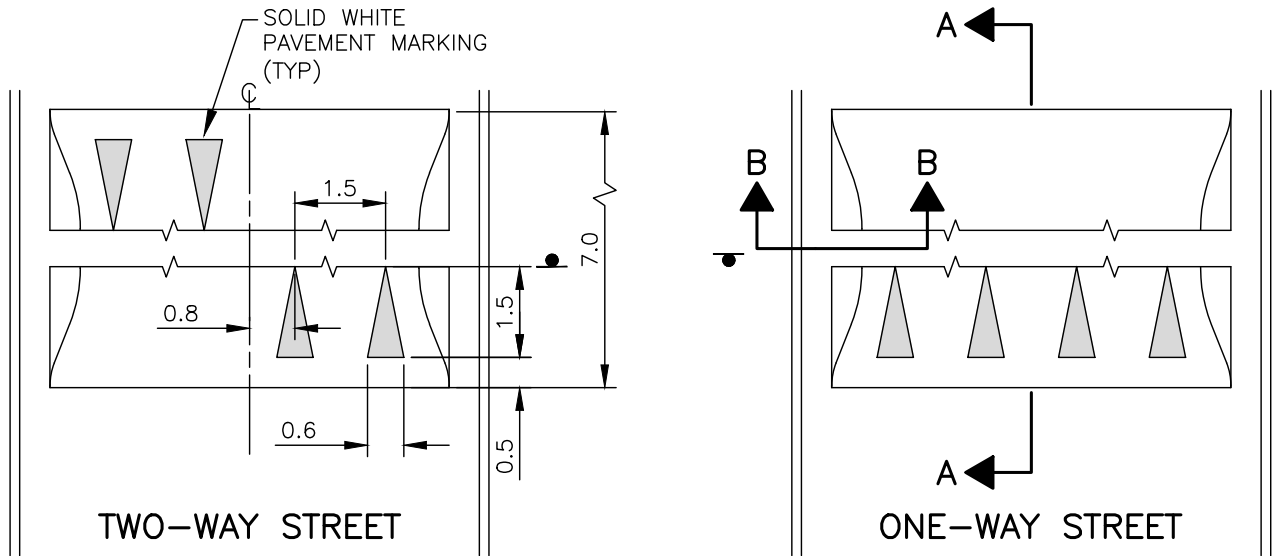
1. INSTALL DECORATIVE PAVING EDGE IN LIEU OF GRASS BOULEVARD WHERE SHOWN ON MAP 301, OR WHEN DIRECTED BY ENGINEER
2. OMIT PAVER EDGE IF CLEAR WIDTH OF REMAINING SIDEWALK IS LESS THAN 2.1m, UNLESS OTHERWISE DIRECTED BY ENGINEER
3. PAVER EDGE SHALL CONSIST OF 2 COMPLETE ROWS OF BRICKS IN A STACK BOND PATTERN. NO CUT PAVERS.
4. PAVER COLOUR DEFINED ON MAP 301 OR AS DIRECTED BY ENGINEER
5. TERMINATE UNIT PAVER EDGE TREATMENT AT START OF CORNER RADIUS AND BEFORE DRIVEWAY RAMP
6. ALL PAVERS TO BE PRECAST CONCRETE 60mm THICK
7. SET PAVERS 2-3 mm ABOVE SURROUNDING CONCRETE SURFACES TO ACCOMMODATE FUTURE SETTLEMENT
8. STREET FURNITURE LOCATIONS MUST BE APPROVED BY ENGINEER (E.G. BICYCLE RACKS, BENCHES, WASTE RECEPTACLES, ETC.), AND BOLTED TO CONCRETE RETAINER STRIP OR TO CONCRETE BELOW PAVERS
9. FILL VOID BETWEEN PAVERS WITH POLYMERIC SAND
10. CONCRETE APRON REQUIRED FOR ROUND ELEMENTS >100mm DIAMETER (E.G. UTILITY POLES, LIGHT POLES, MANHOLE COVERS, VALVE COVERS, ETC) TINTED TO MATCH INTERIOR FIELD PAVER COLOUR
11. OFFSET CONCRETE APRON MINIMUM 100mm
12. FOR ROUND ELEMENTS < 100 mm DIAMETER OMIT CONCRETE APRON

**HALIFAX**

STANDARD DETAIL

**NARROW DECORATIVE  
PAVING EDGE**

DATE: 2021	REFERENCE	APPROVED
SCALE: NTS		FIG No.: <b>HRM 142</b>

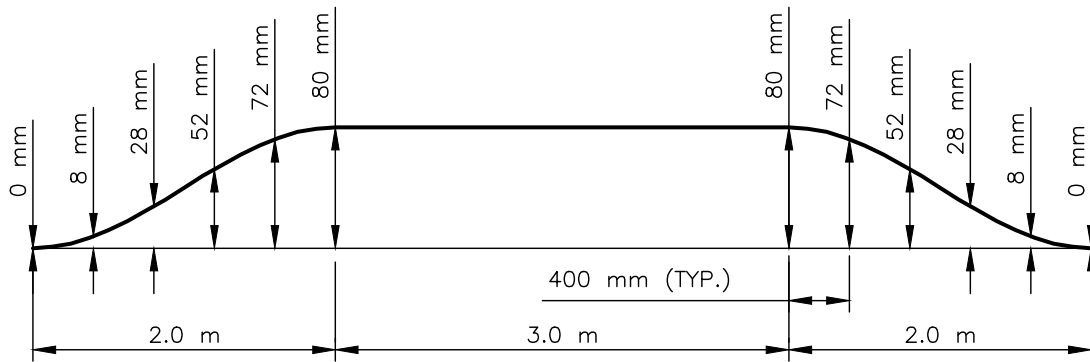


**SPEED TABLE**

SCALE: 1:125

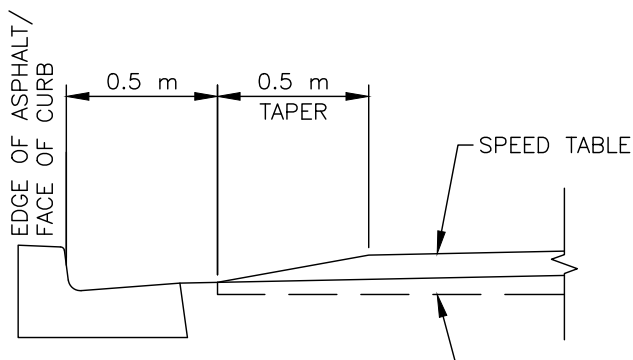
**NOTES:**

1. TOLERANCE FOR CONSTRUCTION IS +/- 10 mm RELATIVE TO THE CURVE.
2. THE EXISTING ASPHALT SURFACE TO BE MILLED TO A DEPTH OF 40 mm WHEN RETROFITTING.



**SECTION A-A**

SCALE: Horz. 1:50  
Vert. 1:5



**SECTION B-B**

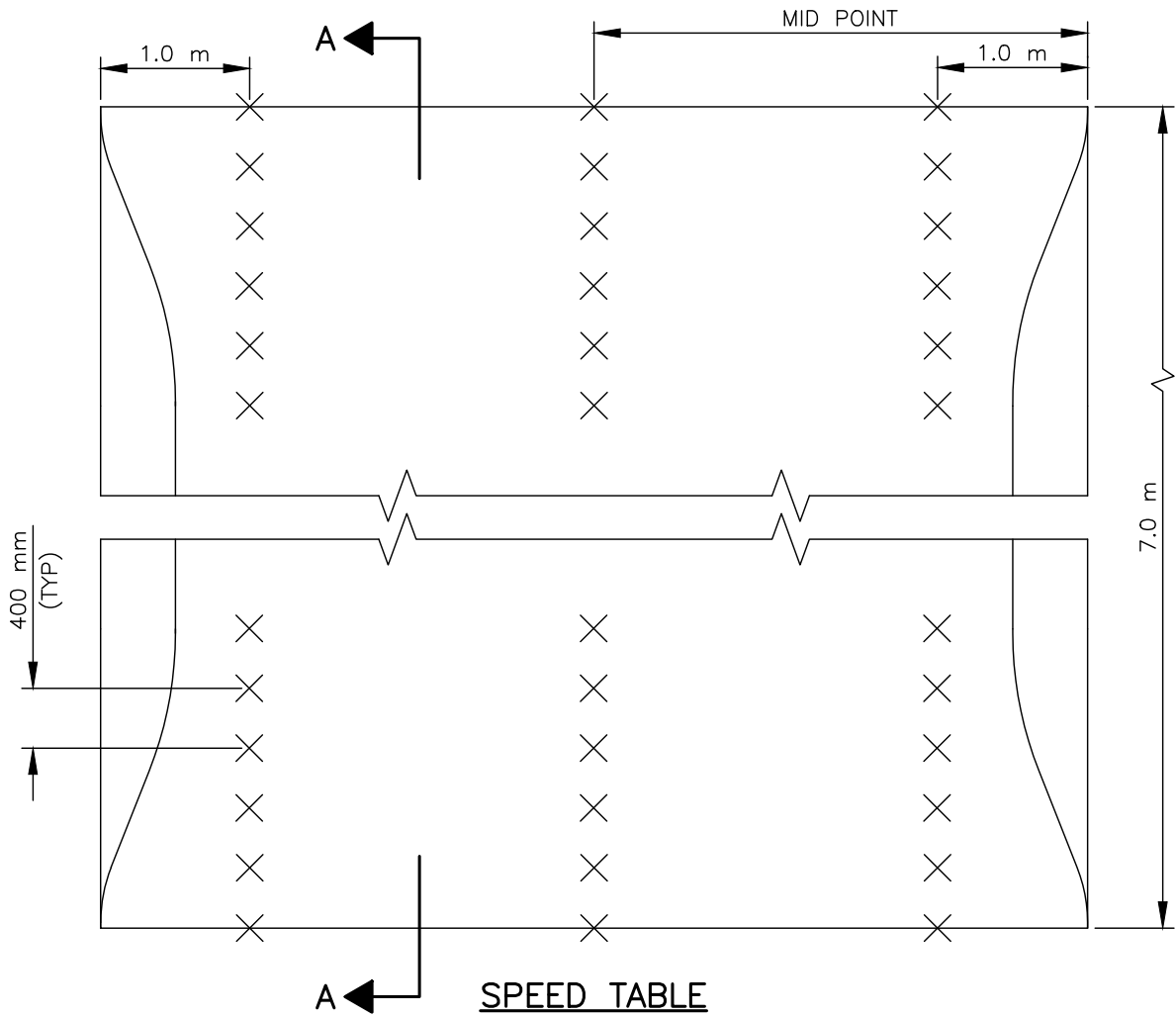
SCALE: 1:25

**HALIFAX**

STANDARD DETAIL

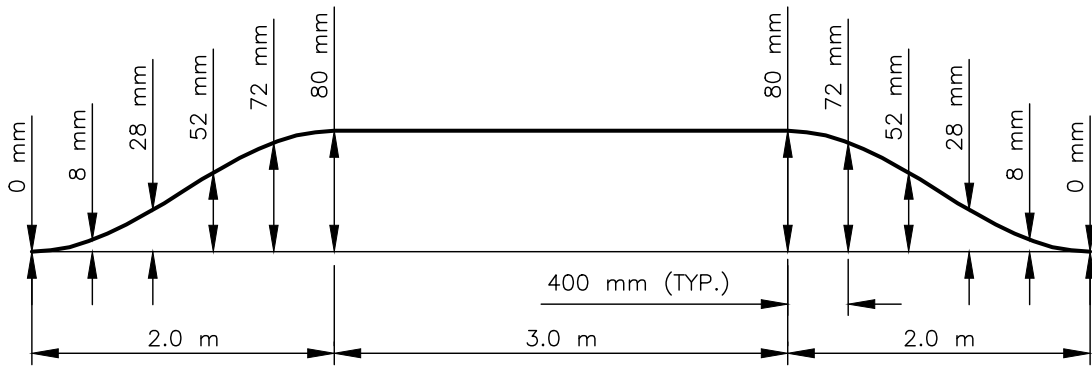
**SPEED TABLE DETAIL**

DATE: 2021	REFERENCE	APPROVED
SCALE: AS NOTED		FIG No.: HRM 143



**SPEED TABLE**

SCALE: 1:50



**SECTION A-A**

SCALE: Horz. 1:50  
Vert. 1:5

**NOTE:**

- 36 SURVEY SHOTS REQUIRED

**HALIFAX**

STANDARD DETAIL

**SPEED TABLE  
SURVEY VERIFICATION**

DATE: 2021

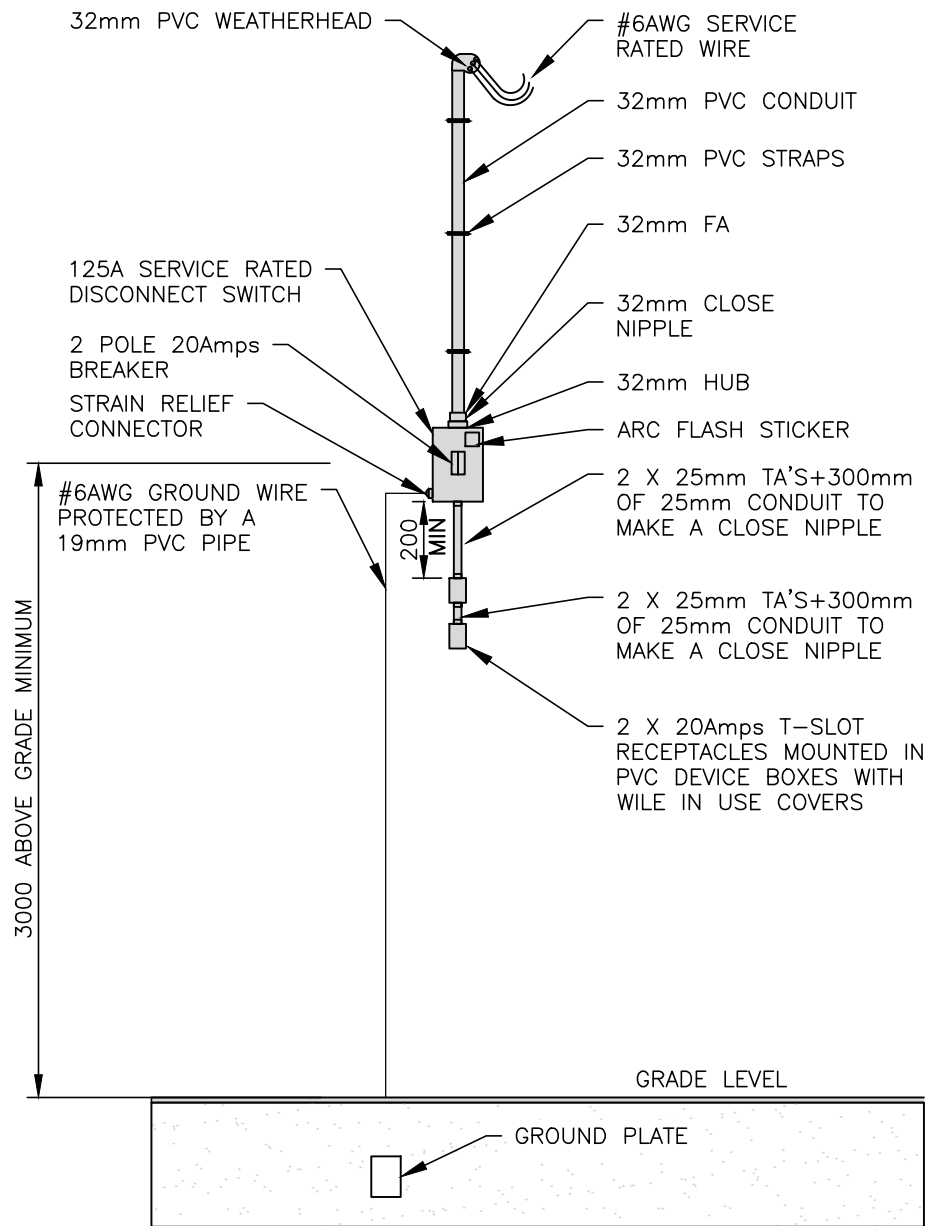
REFERENCE

APPROVED

SCALE:  
AS NOTED

FIG No.:  
**HRM 144**





NOTES:

1. BREAKER MUST BE A DOUBLE POLE, NO SPARE SERVICE WIRES ARE ALLOWED.
2. DO NOT INSTALL PHOTOEYES IN POLES FED OFF OF THIS SERVICE.
3. ALL WORK MUST BE IN COMPLIANCE WITH THE LATEST EDITION OF THE CANADIAN ELECTRICAL CODE AND INSPECTED BY NSPI.
4. UNDERGROUND SERVICE CONDUIT AND GROUND MUST BE PROTECTED BY A U-GUARD AND BONDED AS PER CEC.
5. ALL SCREWS IN THE SERVICE SWITCH ARE TO BE NEVER SEIZED, AND MOUNTING SCREWS ARE TO BE STAINLESS STEEL ONLY.
6. IF THERE IS MORE THAN ONE CIRCUIT OR IF THE CIRCUIT DRAWS MORE THAN 15Amps A CONTACTOR IS REQUIRED. REFER TO UNDERGROUND STANDARDS.
7. SERVICE MUST ALWAYS BE CONNECTED TO THE SECONDARIES NEVER THE CONTROL LINE.
8. MINIMUM WIRE SIZE IS #6AWG.

HALIFAX		
STANDARD DETAIL		
240 VOLT UNDER 20Amps SERVICE WITH GFCI		
DATE:	REFERENCE	APPROVED
2021		
SCALE:		FIG No.:
NTS		HRM 145

SQUARE D ENCLOSED BREAKER AND ACCESSORIES OR EQUIVALENT HDL26040  
 2 POLE BREAKER C/W NEMA STYLE OPERATING MECHANISM 9421LS8 SHAFT AND 9421LJ7 MECHANISM  
 40A 240V  
 SN100FA 100A NEUTRAL KIT  
 FA 100 RB EEMAC 3R ENCLOSURE  
 B125 32mm HUB  
 PKOGTA2 GROUND LUGS

BULLET HUB THOMAS AND BETTS 373

HOLE TO BE ALIGNED WITH HOLE IN DISCONNECT

ENCLOSED BREAKER

GROUND LUG

15Amp BREAKER (BUS SHELTER)

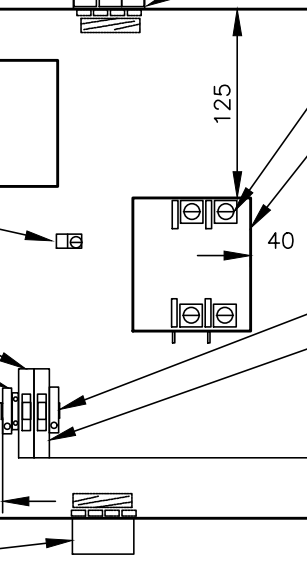
#12 TERMINALS  
 TERMINAL BLOCKS  
 -8WA10111DH  
 END STOPS  
 -8WA1808

END STOPS

SPACER

PHOTO CELL  
 LB 201

32 mm TERMINAL ADAPTER PVC



**DETAIL-A**

CONTACTOR

FURNAS 42CF25AF (LITECO)  
 CONTACTOR-2 POLE 40A

RELAY ENCLOSURE NEMA 4X RATED- SHALL BE PART No.SM141007 C/W POLICE TYPE LOCK, AS SUPPLIED BY APX ENCLOSURES, OR EQUIVALENT.

MOUNTING RAIL

6Amp BREAKER USED FOR PHOTO CELL BYPASS BREAKER-5SY61088 (LITECO)

ONCE BUILT, RELAYS CAN BE APPROVED BY CALLING QPS FIELD EVALUATION SERVICES

(902) 860-1619

(902) 452-5942

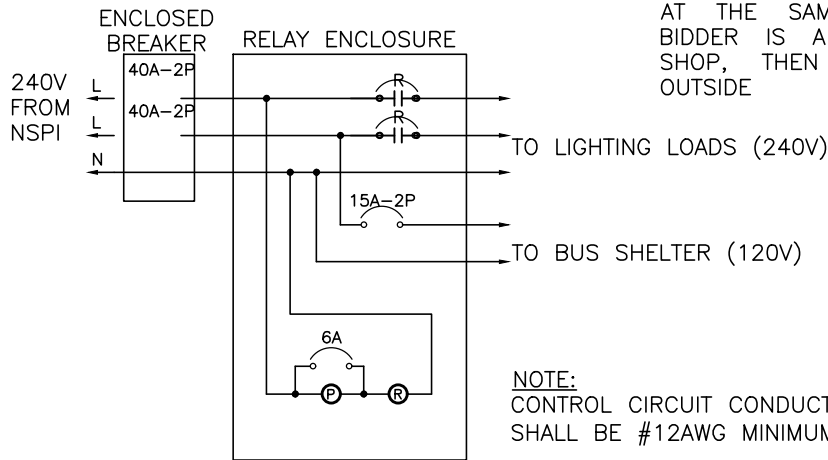
OR

CSA INTERNATIONAL

(506) 388-3600

(506) 856-0058

ALL RELAYS SHOULD BE TESTED AT THE SAME TIME. IF LOW BIDDER IS A CERTIFIED PANEL SHOP, THEN APPROVAL FROM OUTSIDE



**NOTE:**  
 CONTROL CIRCUIT CONDUCTORS SHALL BE #12AWG MINIMUM

**SERVICE SCHEMATIC**

**NOTES:**

1. BREAKER MUST BE A DOUBLE POLE, NO SPARE SERVICE WIRES ARE ALLOWED.
2. CIRCUITS RATED AT MORE THAN 15Amps REQUIRE A CONTACTOR.
3. ALL WORK MUST BE IN COMPLIANCE WITH THE LATEST EDITION OF THE CANADIAN ELECTRICAL CODE AND INSPECTED BY NSPI.
4. UNDERGROUND SERVICE CONDUIT AND GROUND MUST BE PROTECTED BY A U-GUARD AND BONDED AS PER CEC.
5. ALL SCREWS IN THE SERVICE SWITCH ARE TO BE NEVER SEIZED, AND MOUNTING SCREWS ARE TO BE STAINLESS STEEL ONLY.

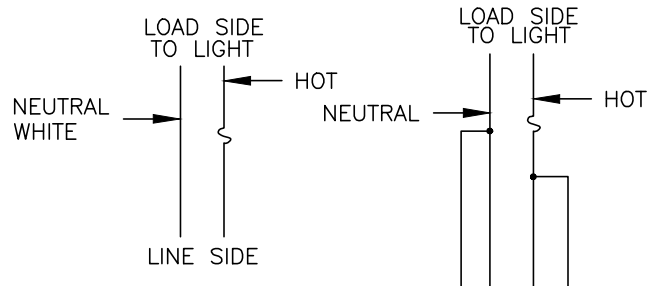
**HALIFAX**

STANDARD DETAIL

**SERVICE CONTACTOR AND SCHEMATIC**

DATE: 2021	REFERENCE	APPROVED
SCALE: NTS		FIG No.: <b>HRM 146</b>

WIRE #12/2 NMWU  
AWG 600mm IN  
LENGTH PAST END OF  
POLE, TAPED TO TOP  
OF POLE SO AS NOT  
TO COME LOOSE AND  
FALL BACK DOWN.



THIS DIAGRAM TO BE USED  
IF CIRCUIT CONTINUES TO  
ANOTHER POLE

T&B AMERACE CAT#65U BREAK-AWAY FUSE  
KIT USE 5Amp TIME DELAY BUSS FUSE

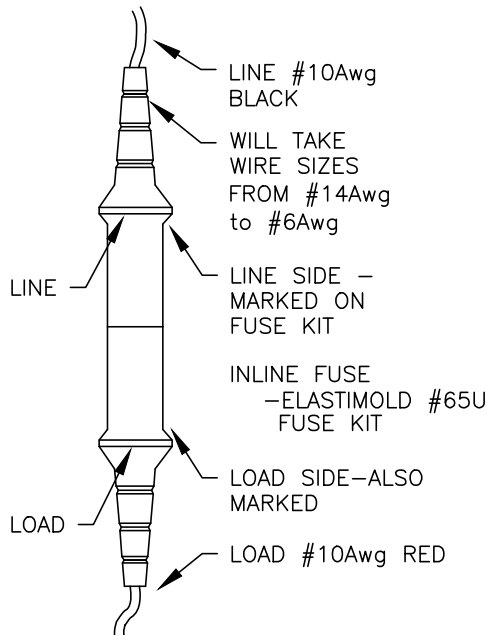
FUSE KIT ON LINE SIDE  
PIGTAIL TO FUSE IF CIRCUIT  
CONTINUES

NEUTRALS SHALL BE  
JOINED USING MARRETTS  
OR ILSCO PBTS4-4 AND  
COVER WITH VINYL TAPE

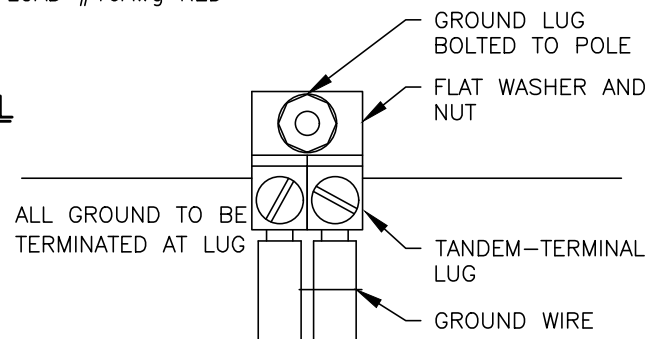
GROUND WIRE SHALL BE  
TIGHTENED IN TERMINAL  
LUG WHICH IN TURN IS  
FASTENED TO GROUND BAR  
IN POLE. SEE GROUND  
CONNECTION DETAIL ON  
THIS DRAWING

WIRES COMING DOWN POLE  
AND UP FROM CONDUIT  
SHOULD BE 1m IN LENGTH  
WHEN PULLED THROUGH  
ACCESS HOLE

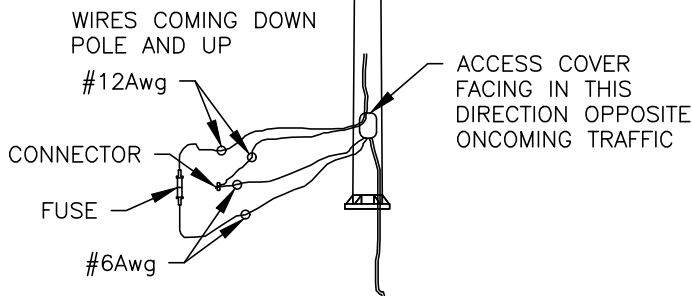
PIGTAILS SHALL BE MADE WITH  
SPLIT BOLTS, COVERED WITH  
RUBBER COMPOUND TAPE (3m  
130C) & VINYL TAPE (3m 88)  
OR EQUIVALENT



**FUSE DETAIL**



**GROUND CONNECTION DETAIL**



**NOTES:**

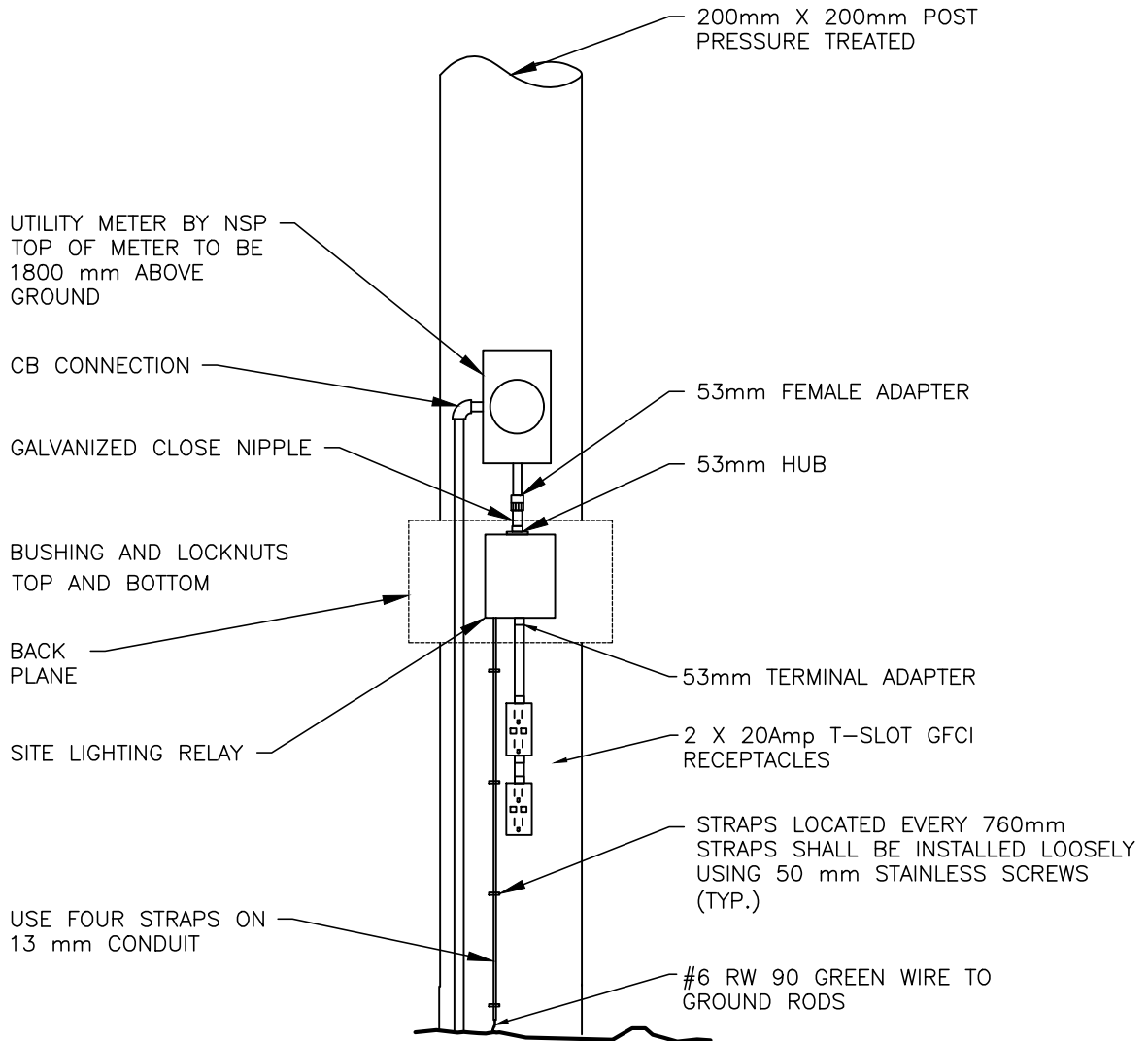
1. BREAKER MUST BE A DOUBLE POLE, NO SPARE SERVICE WIRES ARE ALLOWED.
2. CIRCUITS RATED AT MORE THAN 15Amps REQUIRE A CONTACTOR.
3. ALL WORK MUST BE IN COMPLIANCE WITH THE LATEST EDITION OF THE CANADIAN ELECTRICAL CODE AND INSPECTED BY NSPI.
4. UNDERGROUND SERVICE CONDUIT AND GROUND MUST BE PROTECTED BY A U-GUARD AND BONDED AS PER CEC.
5. ALL SCREWS IN THE SERVICE SWITCH ARE TO BE NEVER SEIZED, AND MOUNTING SCREWS ARE TO BE STAINLESS STEEL ONLY.

**HALIFAX**

STANDARD DETAIL

POLE ELECTRICAL  
DETAILS

DATE:	2021	REFERENCE	APPROVED
SCALE:	NTS		FIG No.: <b>HRM 147</b>



NOTES:

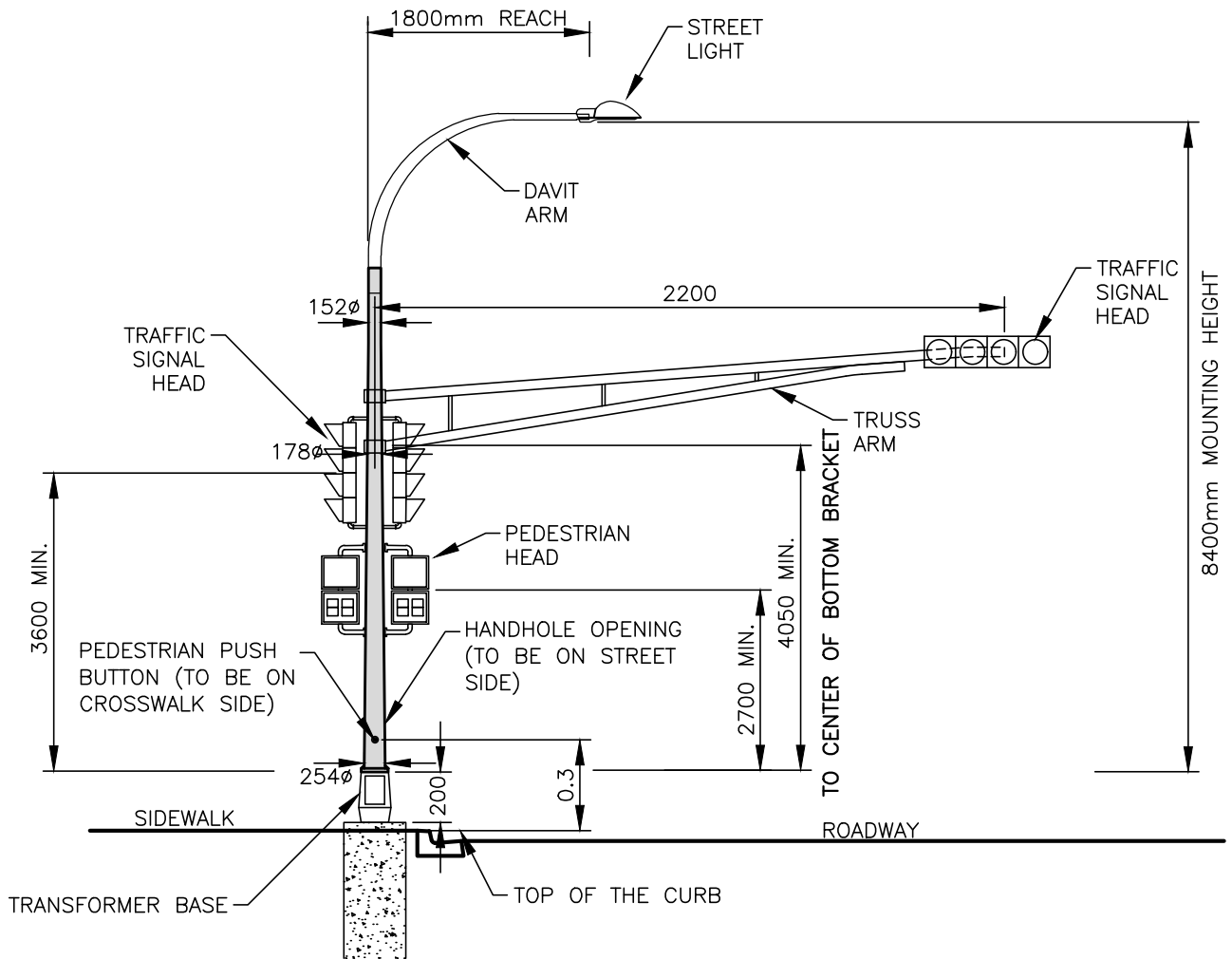
1. BREAKER MUST BE A DOUBLE POLE, NO SPARE SERVICE WIRES ARE ALLOWED.
2. CIRCUITS RATED AT MORE THAN 15Amps REQUIRE A CONTACTOR.
3. ALL WORK MUST BE IN COMPLIANCE WITH THE LATEST EDITION OF THE CANADIAN ELECTRICAL CODE AND INSPECTED BY NSPI.
4. UNDERGROUND SERVICE CONDUIT AND GROUND MUST BE PROTECTED BY A U-GUARD AND BONDED AS PER CEC.
5. ALL SCREWS IN THE SERVICE SWITCH ARE TO BE NEVER SEIZED, AND MOUNTING SCREWS ARE TO BE STAINLESS STEEL ONLY.

# HALIFAX

STANDARD DETAIL

**120 240 VOLT STUB POLE  
SERVICE WITH GFCI's**

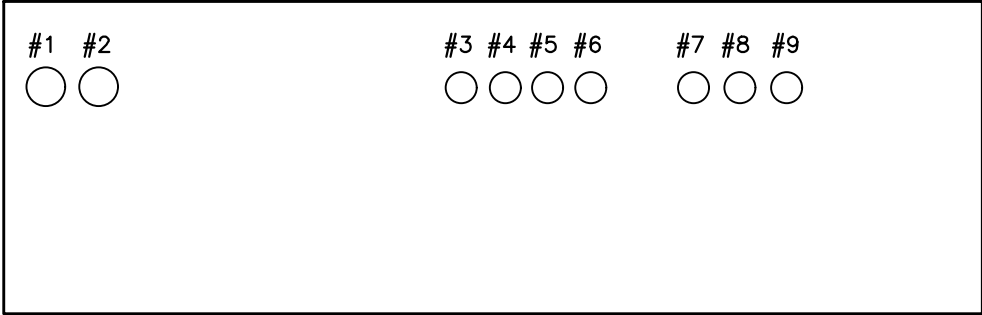
DATE:	2021	REFERENCE	APPROVED
SCALE:	NTS		FIG No.: <b>HRM 148</b>



**NOTES:**

1. BUTTONS TO BE WITHIN ARMS REACH FROM THE PLACE WHERE PEDESTRIANS WAIT TO CROSS.
2. DIMENSIONS IN MILLIMETRES.

HALIFAX		
STANDARD DETAIL		
TRAFFIC SIGNAL STREETLIGHT COMBINATION POLE		
DATE:	REFERENCE	APPROVED
2021		
SCALE:		FIG No.:
NTS		HRM 149

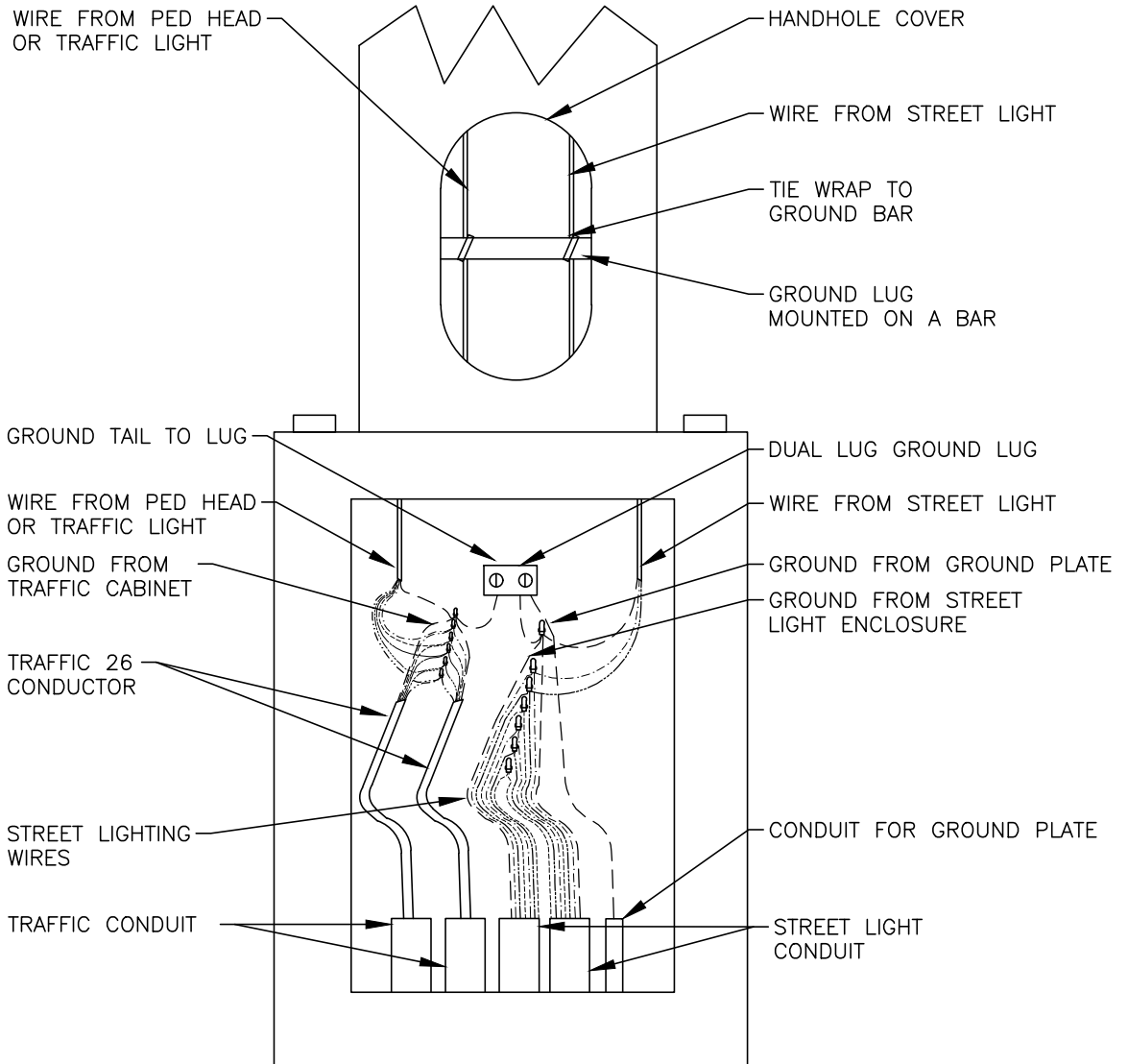


- CONDUIT LAYOUT DESCRIPTION:
- #1 - NSP SERVICE (50mm PVC)
  - #2 - SPARE STUBBED UNDERGROUND (50mm PVC)
  - #3 - BASE #1 (32mm PVC)
  - #4 - BASE #2 (32mm PVC)
  - #5 - TRAFFIC CONTROLLER (32mm PVC)
  - #6 - PARK LIGHTING POLE #4 (32mm PVC)
  - #7 - SPARE STUBBED UNDERGROUND (32mm PVC)
  - #8 - SPARE STUBBED UNDERGROUND (32mm PVC)
  - #9 - SPARE STUBBED UNDERGROUND (32mm PVC)

<b>HALIFAX</b>		
STANDARD DETAIL		
<b>POWER ENCLOSURE CONCRETE PAD TOP VIEW</b>		
DATE:	REFERENCE	APPROVED
2021		
SCALE:		FIG No.:
NTS		HRM 150

LEGEND

- GREEN
- RED
- BLACK
- BLUE
- YELLOW
- ORANGE
- PINK

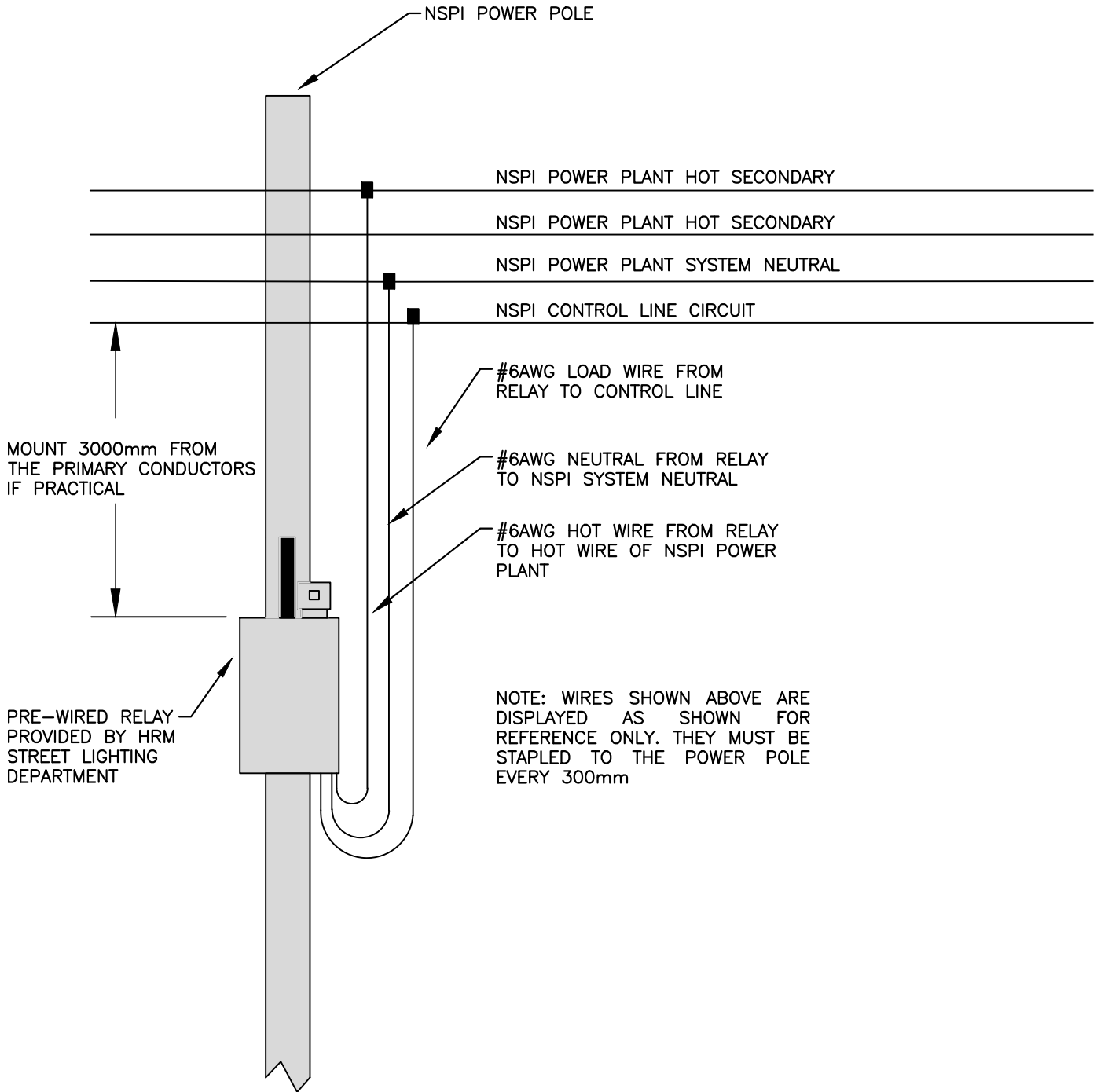


**HALIFAX**

STANDARD DETAIL

**TRANSFORMER BASE  
GROUNDING—MODEL**

DATE:	2021	REFERENCE	APPROVED
SCALE:	NTS		FIG No.: <b>HRM 151</b>

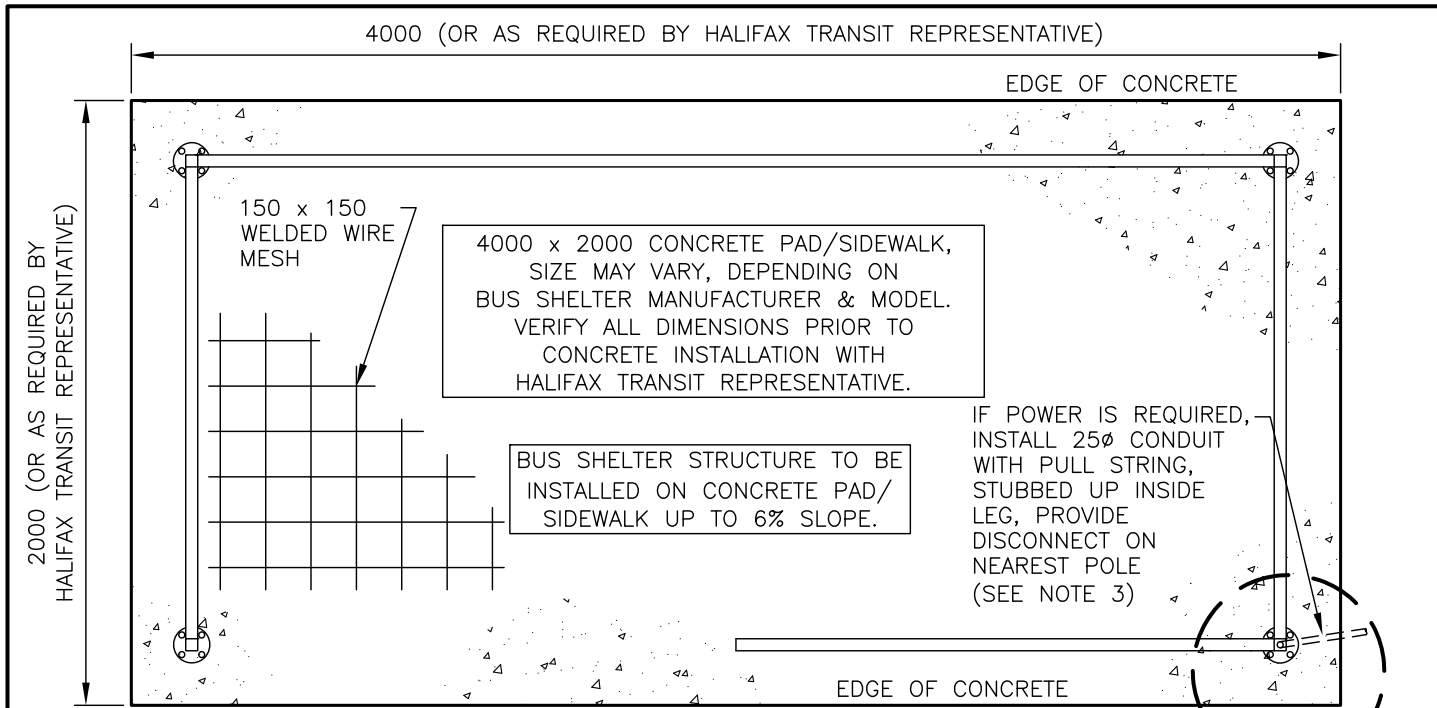


NOTES:

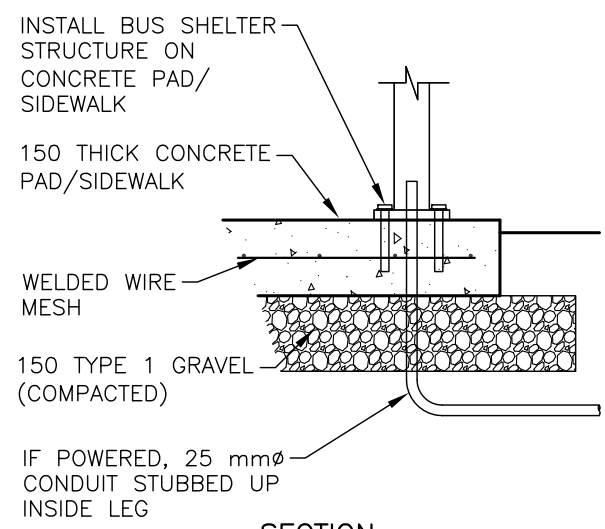
1. ALL WORK MUST BE IN COMPLIANCE WITH THE LATEST EDITION OF THE CANADIAN ELECTRICAL CODE.
2. ANY WORK DONE IN OR AROUND PRIMARY CONDUCTORS MUST BE PERFORMED BY A QUALIFIED PERSON AS PER HRM AND NSPI.
3. WHEN MOUNTING THE RELAY POSITION THE PHOTOEYE AWAY FROM THE NEAREST LIGHT FIXTURE.
4. ALL CONNECTIONS TO POWER NSPI POWER PLANT ARE TO BE MADE WITH TYCO KZ EP 4/0 PIERCING CONNECTORS.

<h1>HALIFAX</h1>		
<b>STANDARD DETAIL</b>		
<b>TYPICAL RELAY INSTALLATION</b>		
DATE:	REFERENCE	APPROVED
2021		
SCALE:		FIG No.:
NTS		HRM 152

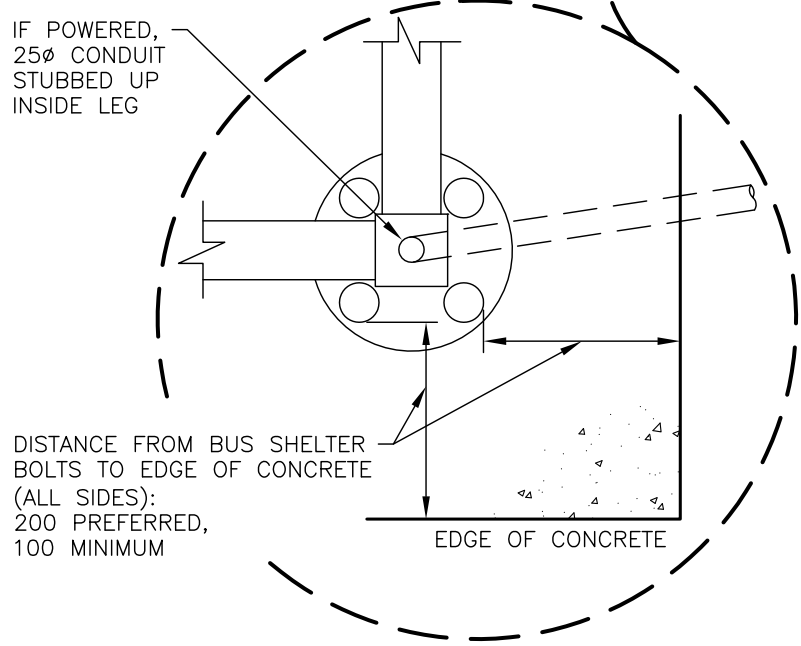




**PLAN VIEW**



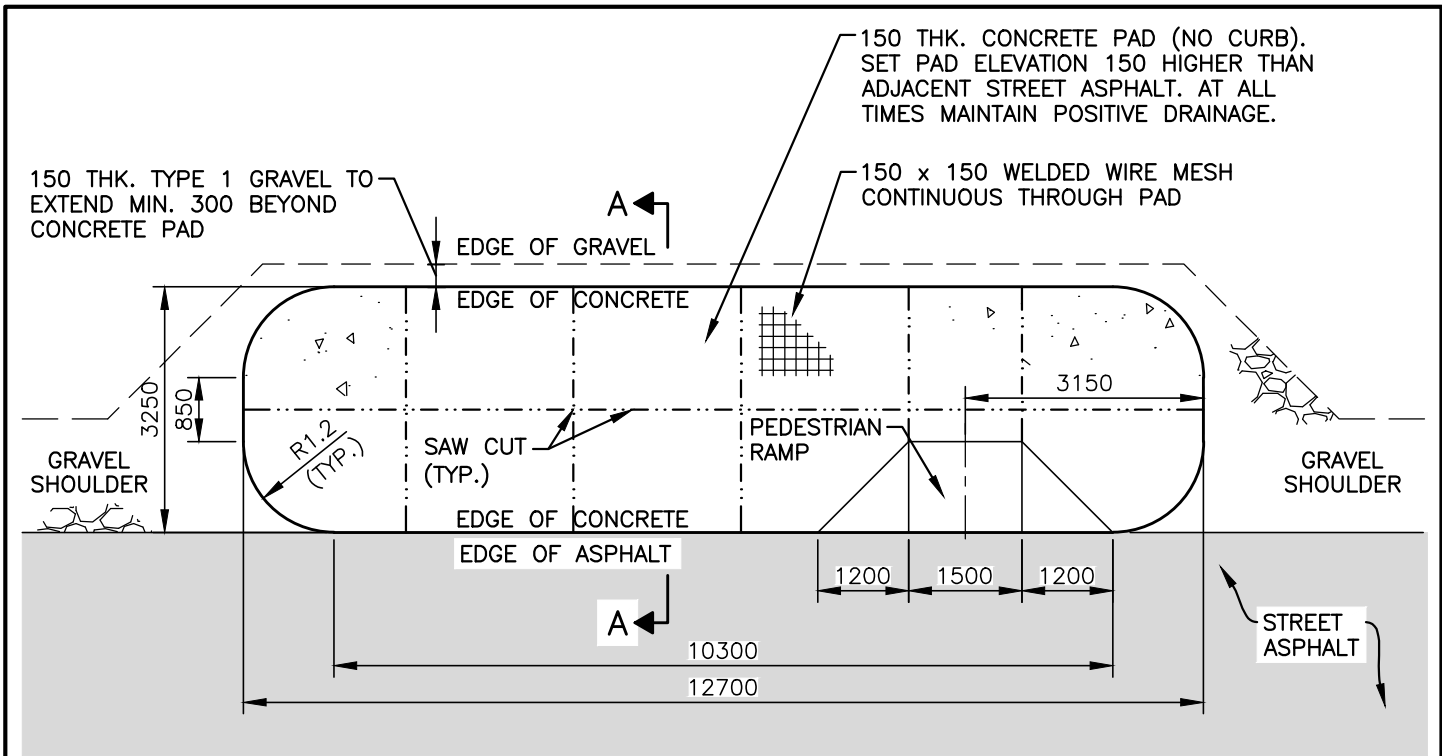
**SECTION**



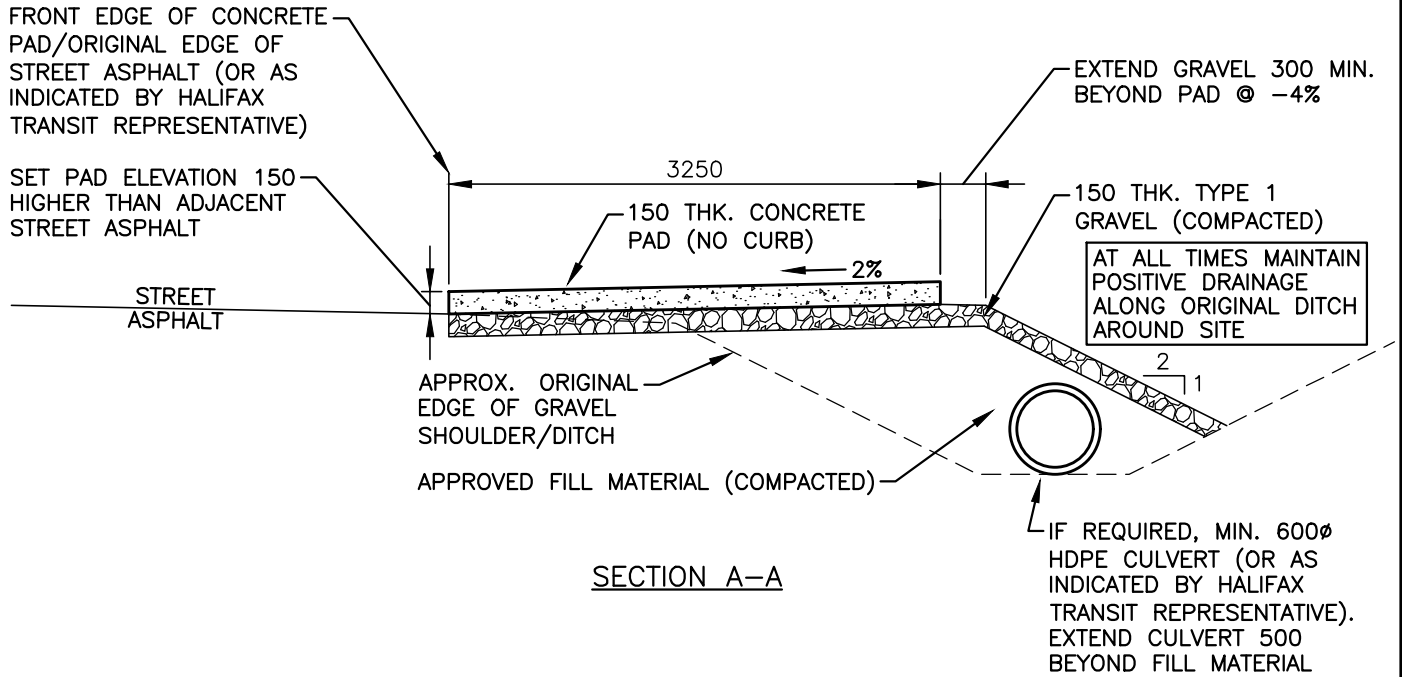
**NOTES:**

1. BEFORE ORDERING MATERIALS AND PRIOR TO CONSTRUCTION, VERIFY ALL EQUIPMENT AND SHELTER REQUIREMENTS WITH HALIFAX TRANSIT REPRESENTATIVE.
2. FOR INSTALLATION OF BUS SHELTER STRUCTURE FOLLOW MANUFACTURER'S INSTALLATION INSTRUCTIONS.
3. POWER CAN BE RUN INTO ANY OF THE SHELTER LEGS – CONTACT TRANSIT TO CONFIRM.
4. DIMENSIONS ARE IN MILLIMETRES.

HALIFAX		
STANDARD DETAIL		
BUS STOP SHELTER ON CONCRETE SIDEWALK		
DATE:	REFERENCE	APPROVED
2021		
SCALE:		FIG No.:
NTS		HRM 153



PLAN VIEW



SECTION A-A

NOTES:

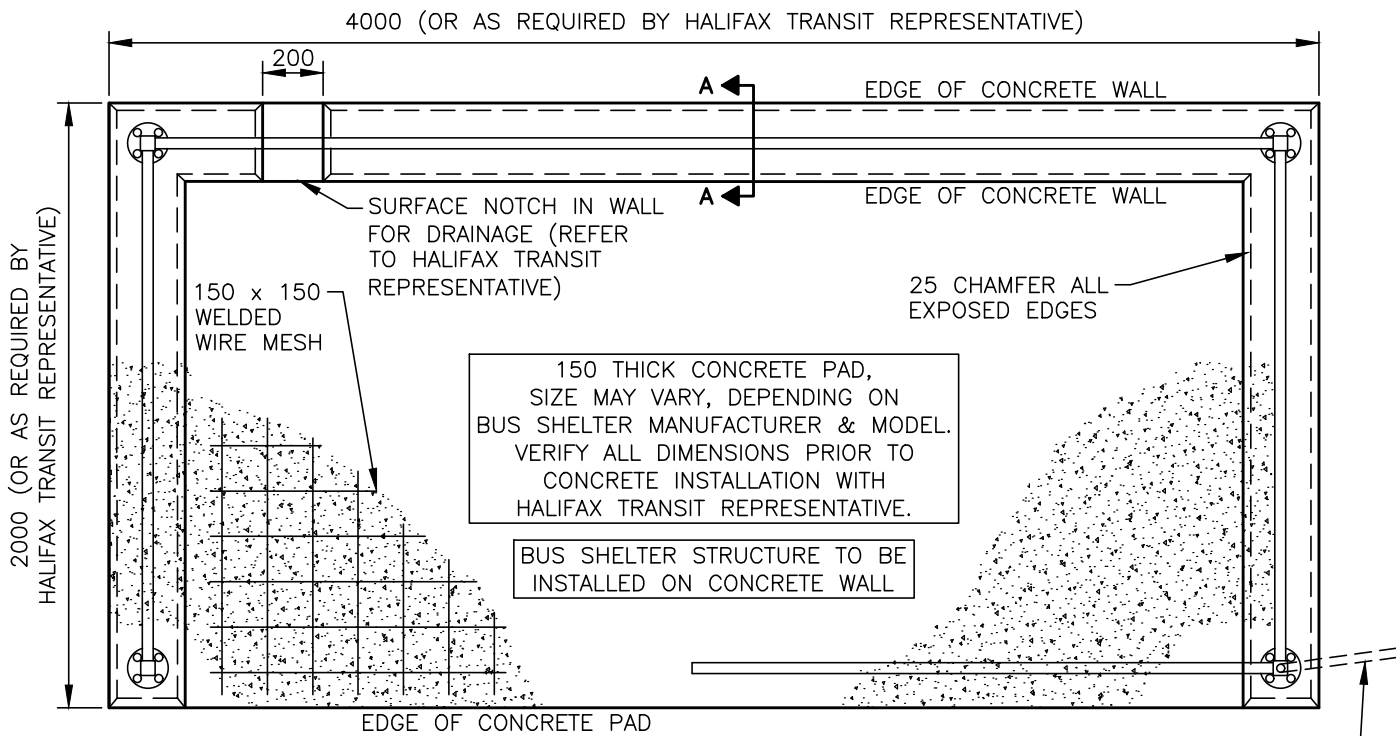
1. BEFORE ORDERING MATERIALS AND PRIOR TO CONSTRUCTION, VERIFY ALL DIMENSIONS AND REQUIREMENTS WITH HALIFAX TRANSIT REPRESENTATIVE.
2. DIMENSIONS ARE IN MILLIMETRES.

# HALIFAX

STANDARD DETAIL

**STAND ALONE CONCRETE  
BUS STOP PAD**

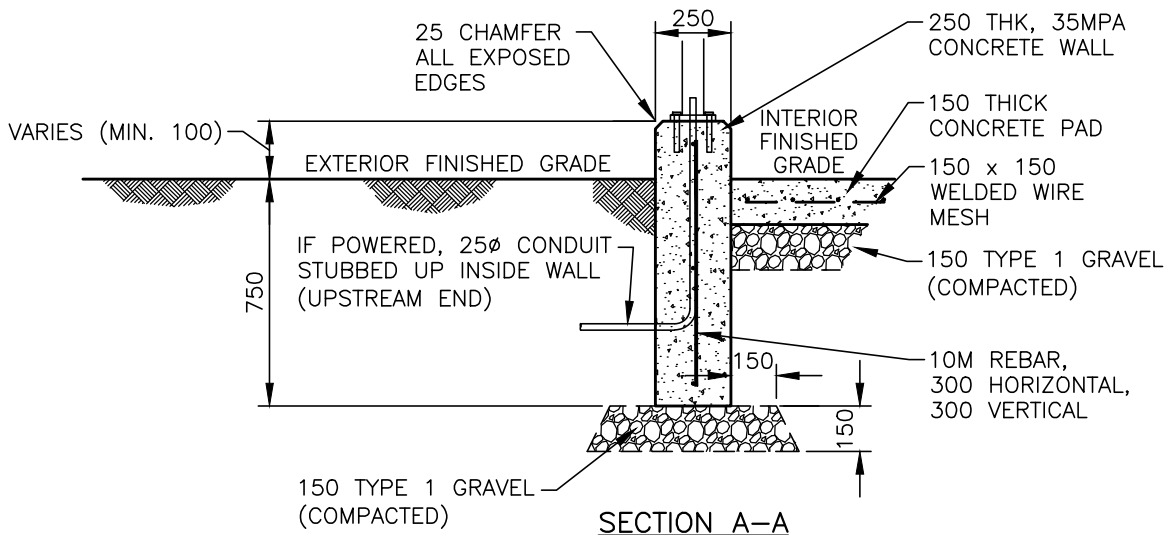
DATE:	2021	REFERENCE	APPROVED
SCALE:	NTS		FIG No.:
			<b>HRM 154</b>



NOTE: ENSURE WALL IS CENTERED ON SHELTER BRACKETS

PLAN VIEW

IF POWER IS REQUIRED, INSTALL 25 $\phi$  CONDUIT WITH PULL STRING, STUBBED UP INSIDE WALL THRU LEG, PROVIDE DISCONNECT ON NEAREST POLE (SEE NOTE 3)



SECTION A-A

NOTES:

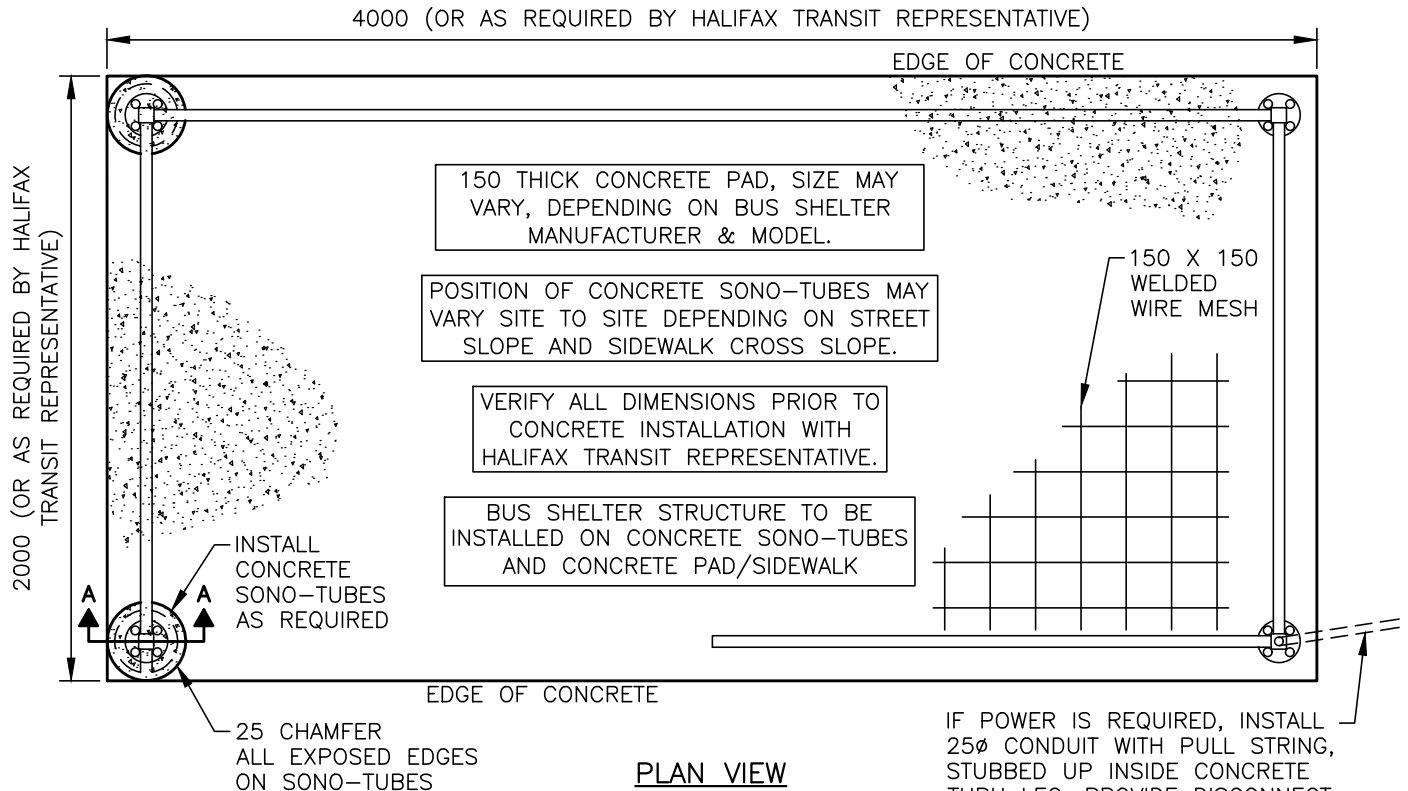
- BEFORE ORDERING MATERIALS AND PRIOR TO CONSTRUCTION, VERIFY ALL EQUIPMENT AND SHELTER REQUIREMENTS WITH HALIFAX TRANSIT REPRESENTATIVE.
- FOR INSTALLATION OF BUS SHELTER STRUCTURE FOLLOW MANUFACTURER'S INSTALLATION INSTRUCTIONS.
- POWER CAN BE RUN INTO ANY OF THE SHELTER LEGS - CONTACT TRANSIT TO CONFIRM.
- DIMENSIONS ARE IN MILLIMETRES.

**HALIFAX**

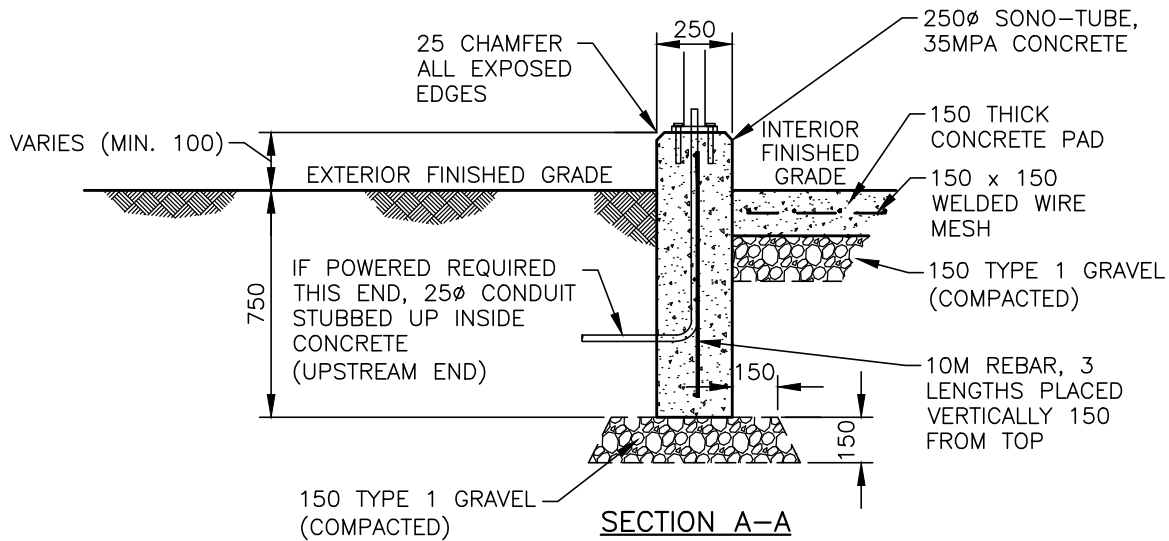
STANDARD DETAIL

**BUS STOP SHELTER ON CONCRETE WALL**

DATE:	2021	REFERENCE	APPROVED
SCALE:	NTS		FIG No.: HRM 155



NOTE: ENSURE SONO-TUBE IS CENTERED ON SHELTER BRACKETS



NOTES:

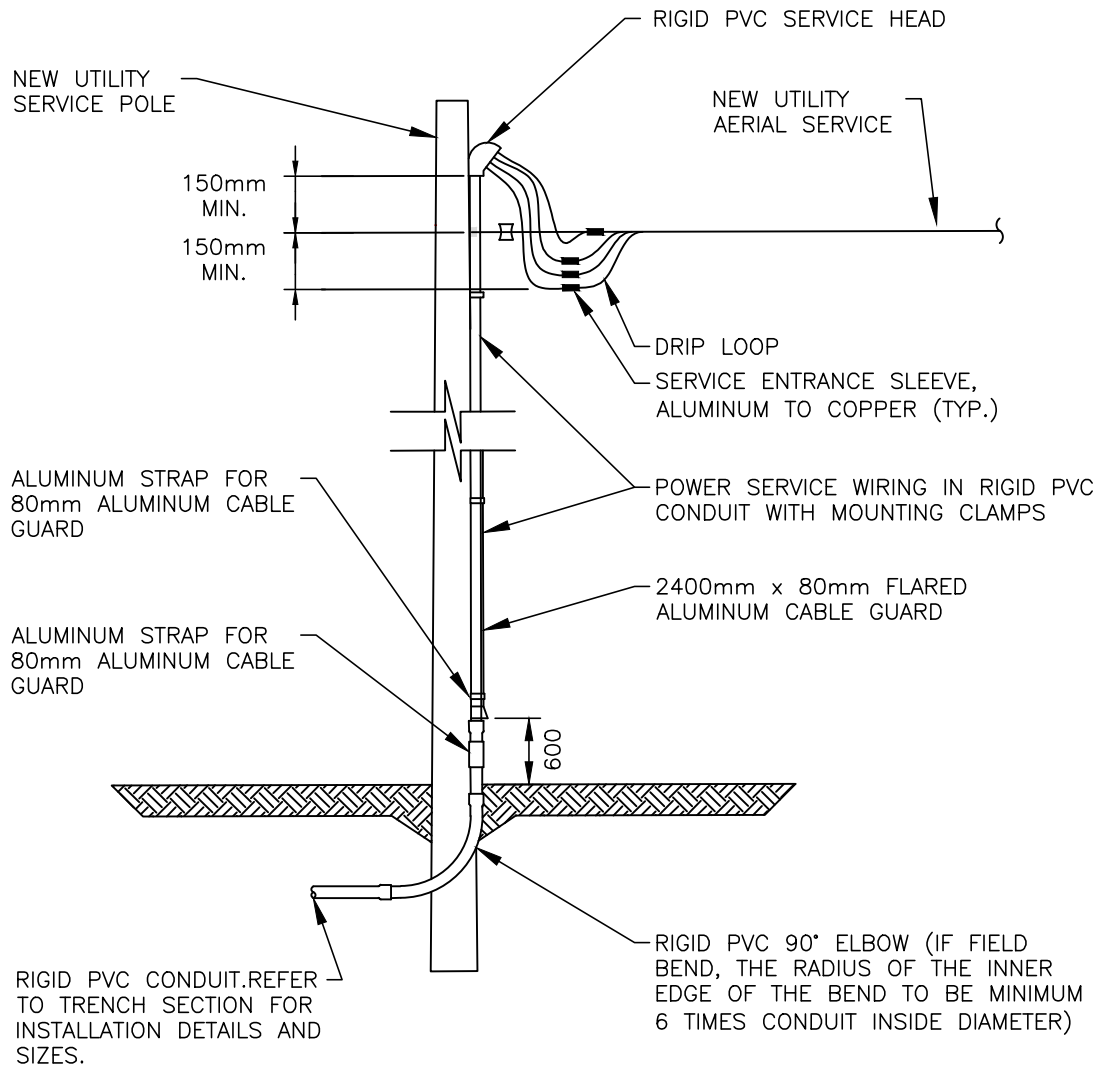
1. BEFORE ORDERING MATERIALS AND PRIOR TO CONSTRUCTION, VERIFY ALL EQUIPMENT AND SHELTER REQUIREMENTS WITH HALIFAX TRANSIT REPRESENTATIVE.
2. FOR INSTALLATION OF BUS SHELTER STRUCTURE FOLLOW MANUFACTURER'S INSTALLATION INSTRUCTIONS.
3. POWER CAN BE RUN INTO ANY OF THE SHELTER LEGS - CONTACT TRANSIT TO CONFIRM.
4. DIMENSIONS ARE IN MILLIMETRES.

**HALIFAX**

STANDARD DETAIL

**BUS STOP SHELTER ON  
CONCRETE SONO-TUBES**

DATE:	2021	REFERENCE	APPROVED
SCALE:	NTS		FIG No.: HRM 156



NOTES:

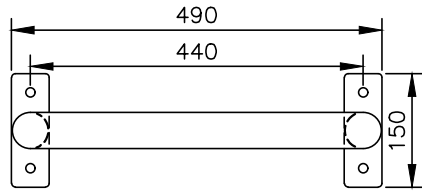
1. BREAKER MUST BE A DOUBLE POLE, NO SPARE SERVICE WIRES ARE ALLOWED.
2. CIRCUITS RATED AT MORE THAN 15Amps REQUIRE A CONTACTOR.
3. ALL WORK MUST BE IN COMPLIANCE WITH THE LATEST EDITION OF THE CANADIAN ELECTRICAL CODE AND INSPECTED BY NSPI
4. UNDERGROUND SERVICE CONDUIT AND GROUND MUST BE PROTECTED BY A U-GUARD AND BONDED AS PER CEC.
5. ALL SCREWS IN THE SERVICE SWITCH ARE TO BE NEVER SEIZED, AND MOUNTING SCREWS ARE TO BE STAINLESS STEEL ONLY.

**HALIFAX**

STANDARD DETAIL

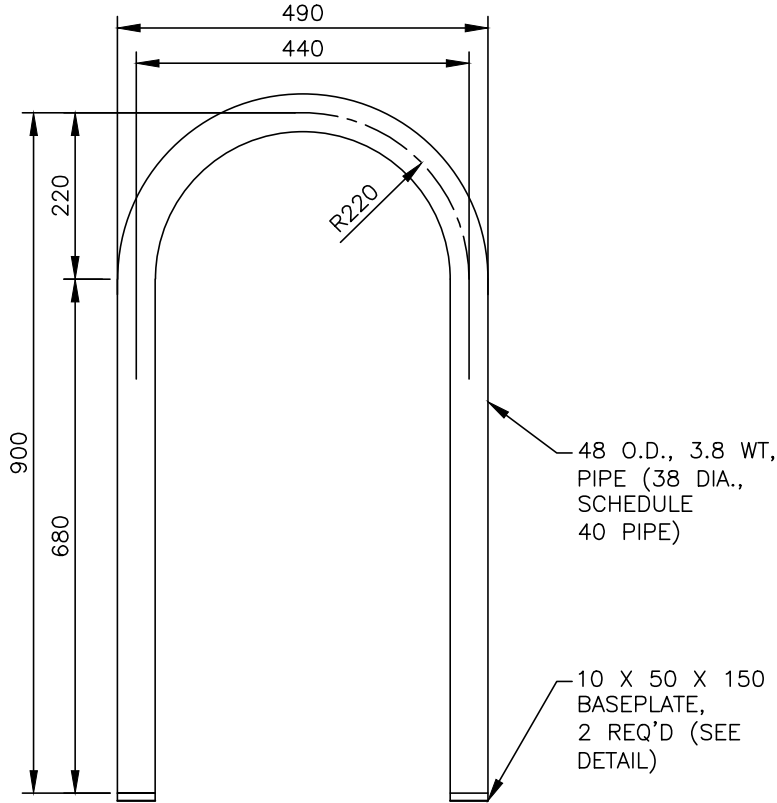
UTILITY POLE  
SERVICE DETAIL

DATE:	2021	REFERENCE	APPROVED
SCALE:	NTS		FIG No.: <b>HRM 160</b>

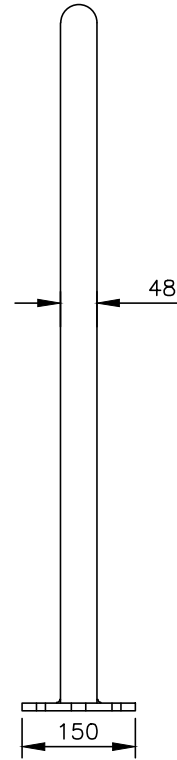


PLAN VIEW

HOT-DIPPED GALVANIZED STEEL OR  
HOT-DIPPED GALVANIZED STEEL  
WITH BLACK POWDER COAT



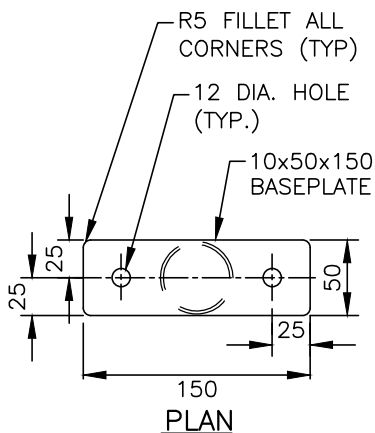
PROFILE VIEW



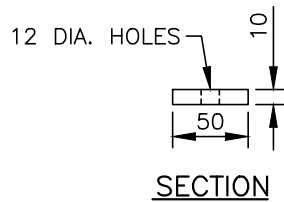
SECTION

NOTES:

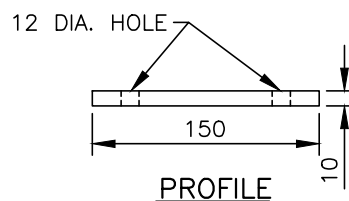
1. ALL DIMENSIONS ARE IN MILLIMETRES.
2. VARIATION OF THE DIMENSIONS PROVIDED ARE PERMITTED, BUT MUST BE SHOWN ON SUBMITTED DRAWINGS.
3. BIKE RACKS TO BE ANCHORED TO POURED IN PLACE CONCRETE SURFACE WITH 10 mmØ X 125 mm EPOXY EXPANSION BOLTS (100 mm EMBEDMENT) OR APPROVED EQUIVALENT.



BASEPLATE DETAIL



SECTION



PROFILE

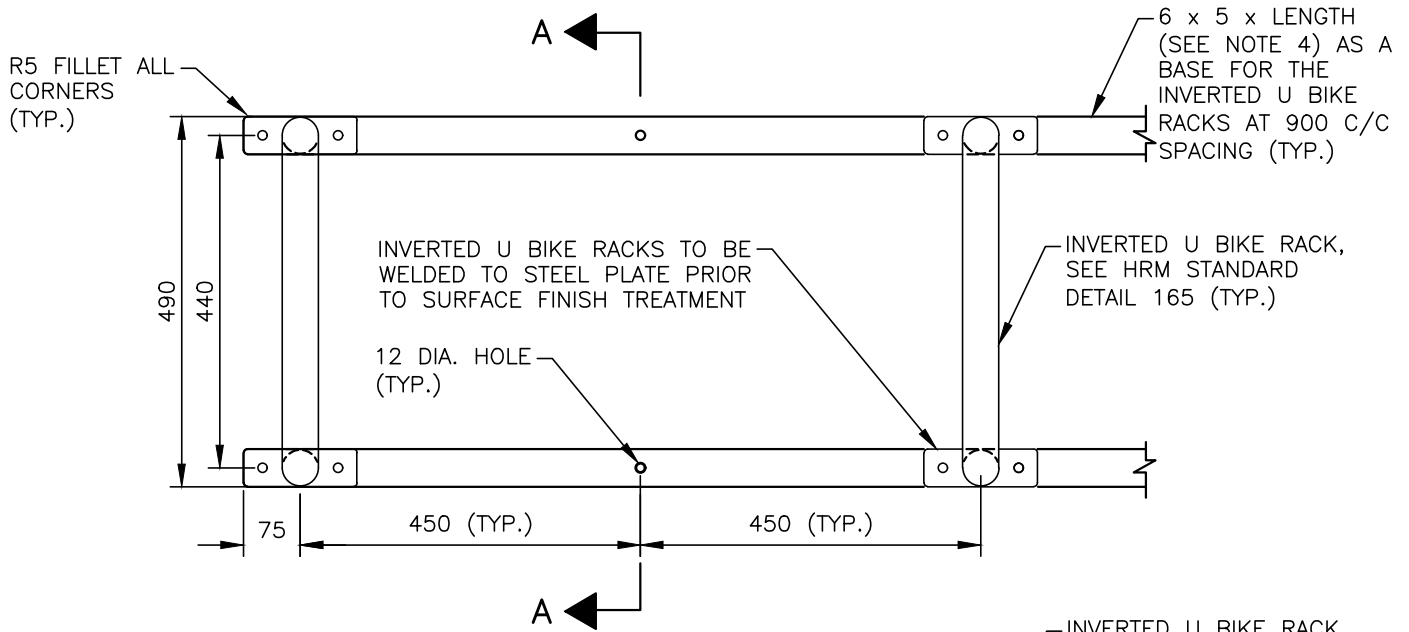
**HALIFAX**

STANDARD DETAIL

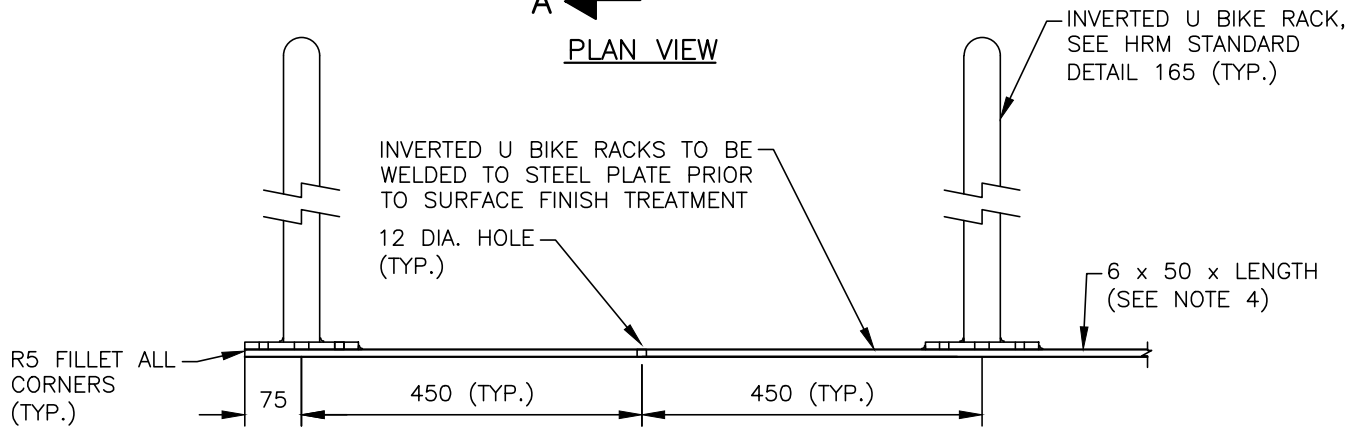
INVERTED U BIKE RACK

DATE:	2021	REFERENCE	APPROVED
SCALE:	NTS		FIG No.: HRM 165

HOT-DIPPED GALVANIZED STEEL OR  
HOT-DIPPED GALVANIZED STEEL WITH BLACK POWDER COAT



PLAN VIEW

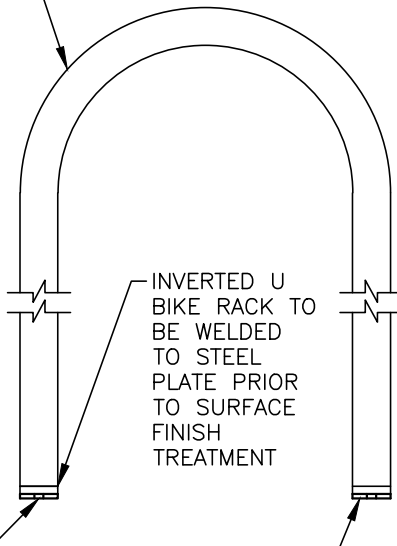


PROFILE VIEW

NOTES:

1. ALL DIMENSIONS ARE IN MILLIMETRES.
2. VARIATION OF THE DIMENSIONS PROVIDED ARE PERMITTED, BUT MUST BE SHOWN ON SUBMITTED DRAWINGS.
3. BIKE RACKS TO BE ANCHORED TO POURED IN PLACE CONCRETE SURFACE WITH 10 mm $\phi$  X 125 mm EPOXY EXPANSION BOLTS (100 mm EMBEDMENT) OR APPROVED EQUIVILANT.
4. MULTI BIKE RACK LENGTH WILL VARY FOR SERIES OF 2 TO 5 INVERTED U BIKE RACKS (AS REQUIRED).

INVERTED U BIKE RACK, SEE HRM STANDARD DETAIL 165



SECTION A-A

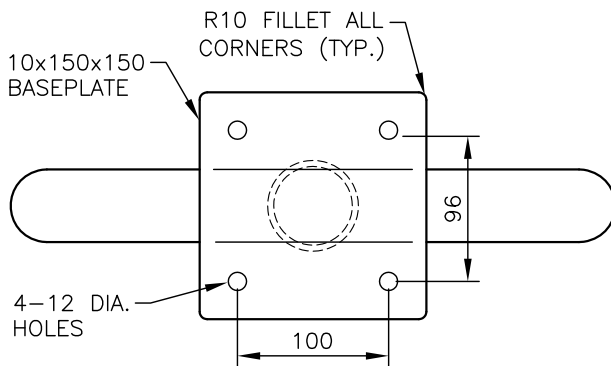
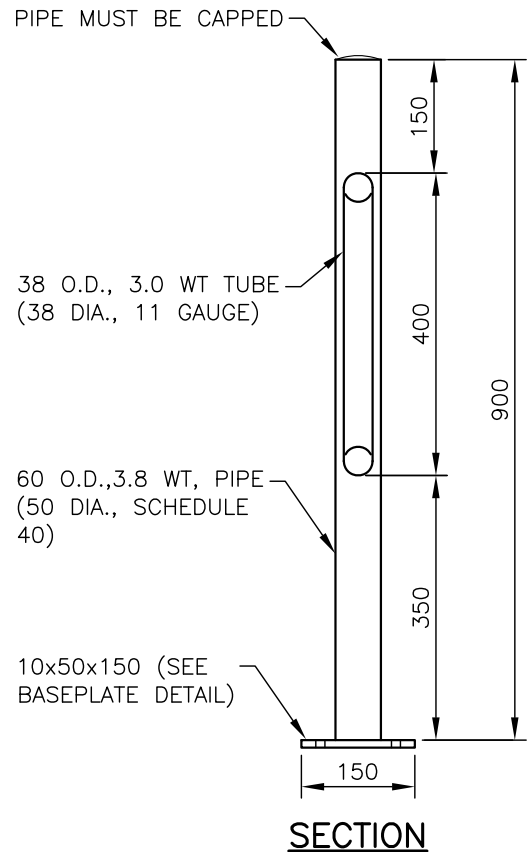
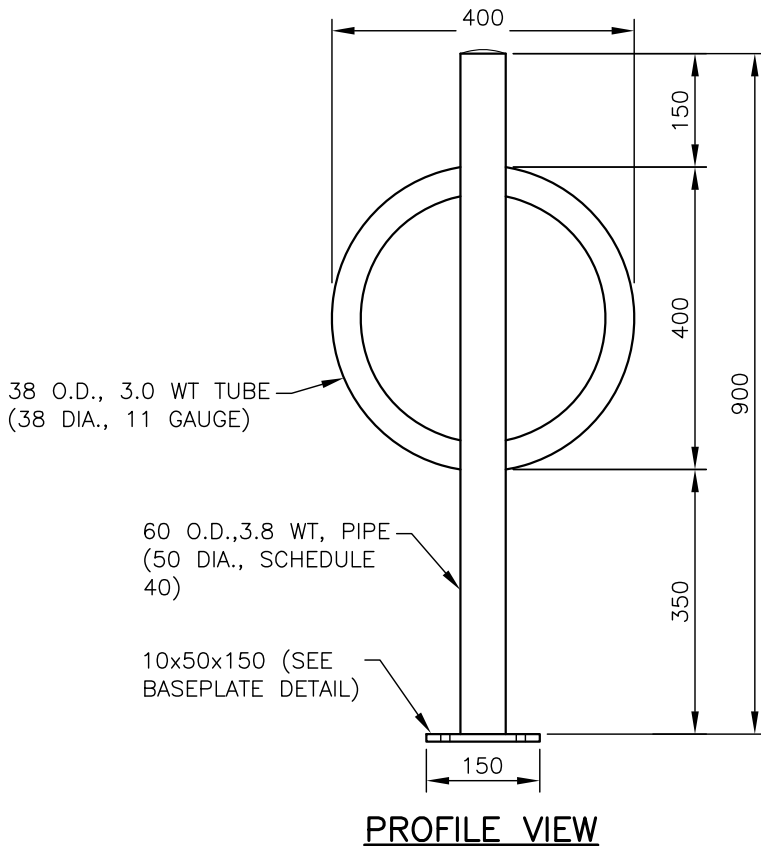
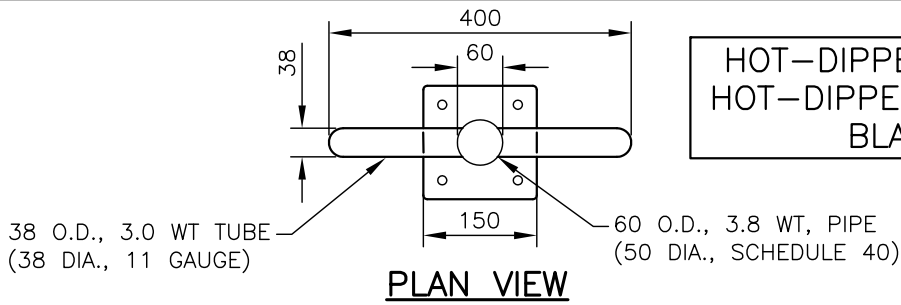
**HALIFAX**

STANDARD DETAIL

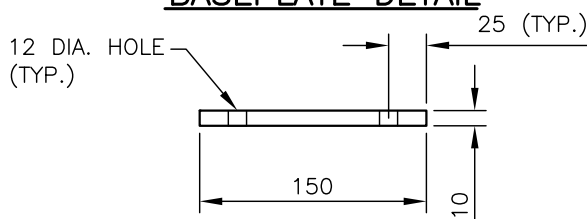
**MULTI INVERTED U BIKE RACK**

DATE:	2021	REFERENCE	APPROVED
SCALE:	NTS		FIG No.: HRM 166

HOT-DIPPED GALVANIZED STEEL OR  
HOT-DIPPED GALVANIZED STEEL WITH  
BLACK POWDER COAT



**BASEPLATE DETAIL**



**BASEPLATE SECTION**

**NOTES:**

1. ALL DIMENSIONS ARE IN MILLIMETRES.
2. VARIATION OF THE DIMENSIONS PROVIDED ARE PERMITTED, BUT MUST BE SHOWN ON SUBMITTED DRAWINGS.
3. BIKE RACKS TO BE ANCHORED TO POURED IN PLACE CONCRETE SURFACE WITH 10 mmØ X 125 mm EPOXY EXPANSION BOLTS (100 mm EMBEDMENT).

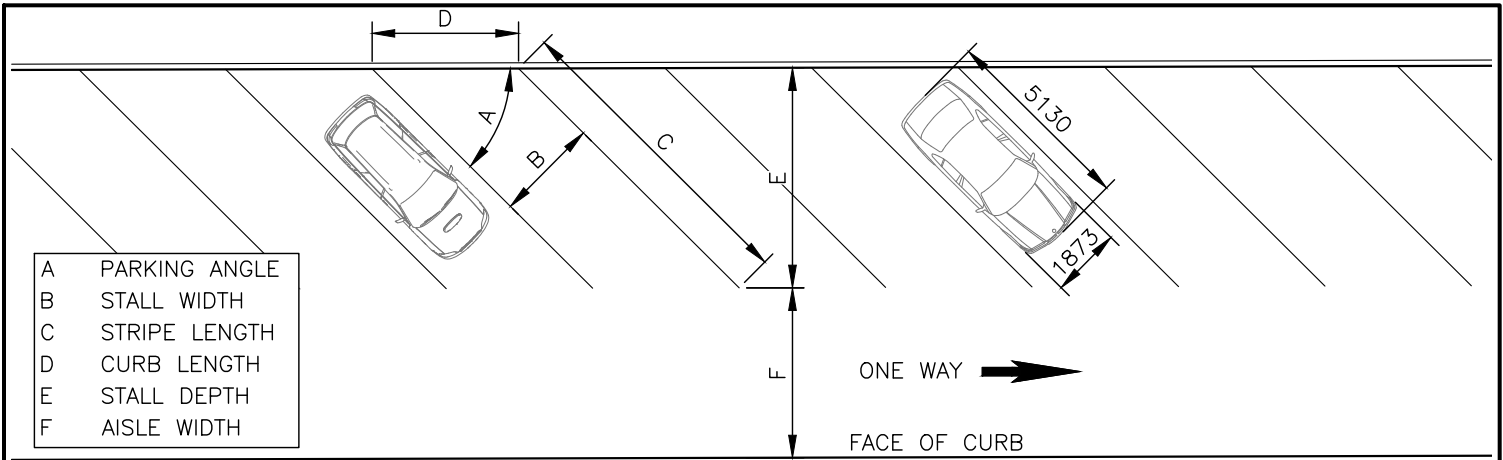
**HALIFAX**

STANDARD DETAIL

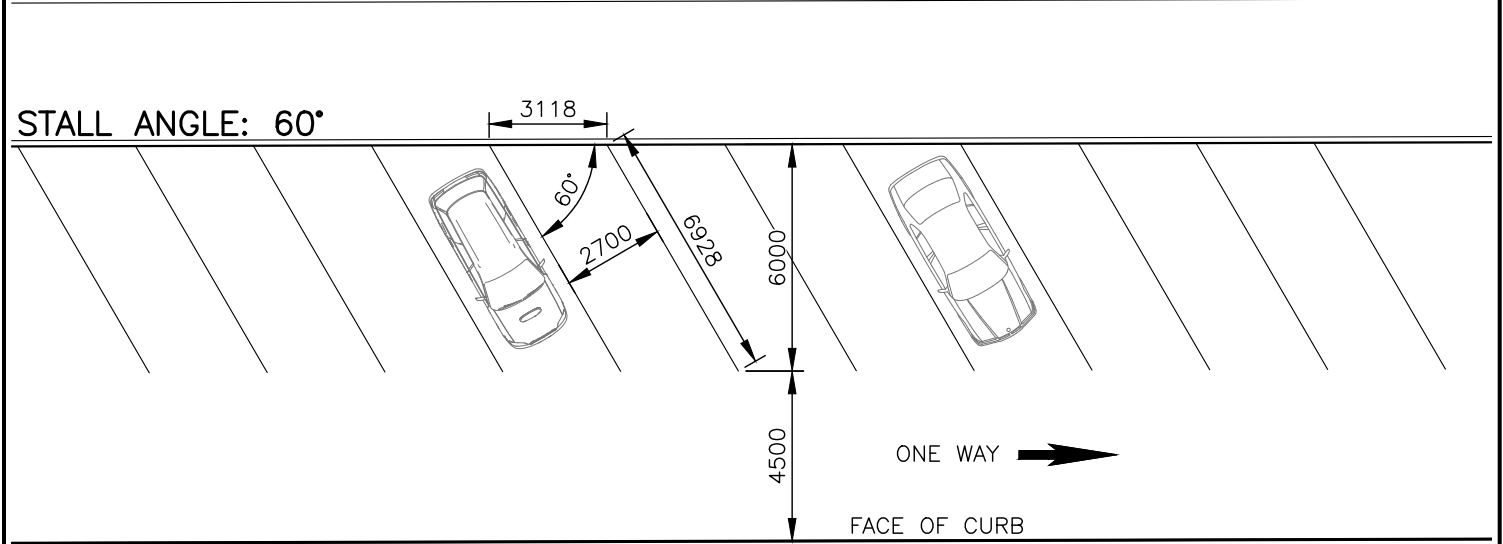
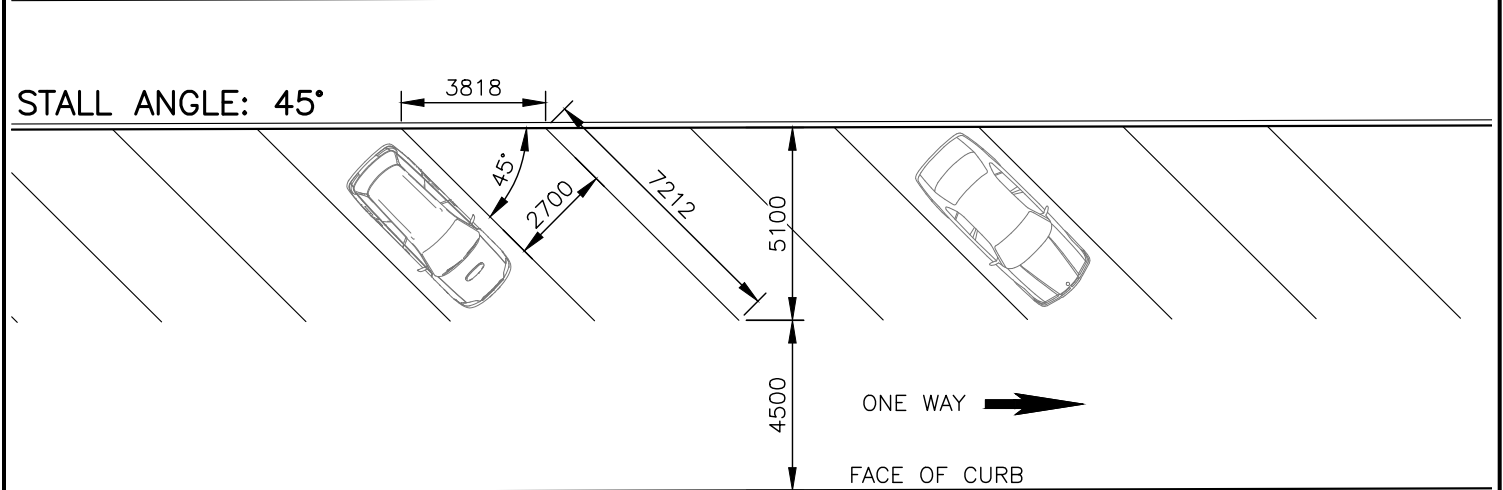
POST & RING BIKE RACK

DATE: 2021	REFERENCE	APPROVED
SCALE: NTS		FIG No.: HRM 167





- A PARKING ANGLE
- B STALL WIDTH
- C STRIPE LENGTH
- D CURB LENGTH
- E STALL DEPTH
- F AISLE WIDTH



**NOTES:**

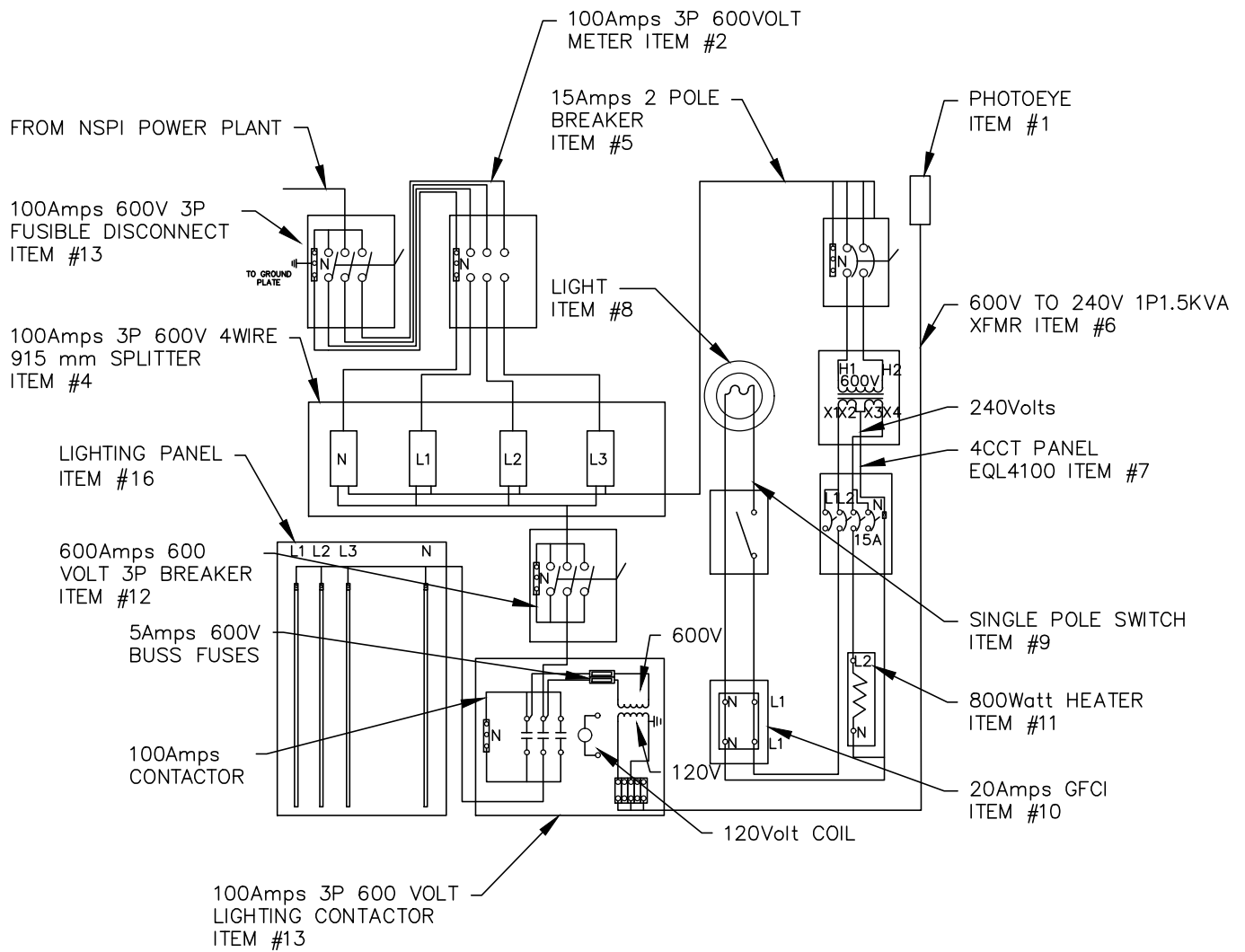
1. STREETS SHOULD BE ONE-WAY, CONVERTED TO ONE-WAY, OR HAVE MEDIANS BETWEEN DIRECTIONS OF TRAVEL
2. THE ACUTE ANGLE OF THE STALL MUST BE IN THE SAME DIRECTION OF TRAFFIC FLOW (TO INHIBIT POTENTIAL OF 'DRIVE-IN' PARKING)
3. THE DIMENSIONS SHOULD BE USED AS A GUIDE, RECOGNIZING THAT:
  - 3.1. WIDER AISLES MAY BE REQUIRED ON PRIMARY ROUTES FOR LARGER VEHICLES
  - 3.2. TURNING REQUIREMENTS SHOULD BE CONSIDERED ON ALL APPLICATIONS
4. IN BOTH ABOVE CASES, PARKING WOULD NOT BE PERMITTED ALONG THE OPPOSITE CURB

# HALIFAX

**STANDARD DETAIL**

**BACK IN ANGLE PARKING  
60° AND 45°**

DATE: 2021	REFERENCE	APPROVED
SCALE: NTS		FIG No.: HRM 169



**NOTES:**

1. REFER TO HRM 171 FOR DESCRIPTIONS AND RULINGS.

# HALIFAX

---

STANDARD DETAIL

---

**STREET LIGHT POWER ENCLOSURE  
SINGLE LINE DIAGRAM**

---

DATE:	2021	REFERENCE
SCALE:	NTS	APPROVED
		FIG No.:
		<b>HRM 170</b>

## DESCRIPTIONS AND RULINGS

### PART NUMBERING AND DESCRIPTIONS:

1. BEL PART NUMBER #HDM727224FSS-M 72x72 C/W 4m AND INSTALLED BACK PLATE.
2. STREET LIGHTING POWER METER BASE 100Amps 600VOLT 3 Phase PART#PL17-TCV-IN.
3. 100Amps 3P 600VOLT FUSIBLE SIEMENS ID363NF C/W 100Amps 600VOLT FUSES.
4. BEL 200Amps 3P 600VOLT SPLITTER PART#T3204.
5. 15Amps 2P 600VOLT BREAKER SIEMENS PART#ED63B015L C/W E2NIS ENCLOSURE.
6. 1.5KVA XFMR HAMMOND PART#Q1C5PEKF.
7. 4 X 15Amps 1P BREAKER SIEMENS PART#Q115 C/W EQL4100 ENCLOSURE.
8. RAB DEMVCS100CG LIGHT C/W DEMGD100CGS CAGE C/W CFL LIGHTBULB.
9. RAB DEVICE BOX IBCS100CN C/W WEATHERPROOF PVC COVER AND COMMERCIAL GRADE SINGLE POLE SWITCH LEVCS1152W.
10. RAB DEVICE BOX IBCS100CN C/W WEATHERPROOF PVC COVER AND 20AMP T SLOT GFCI LEV7899W.
11. 800WATT HEATER CALORITECH PART#PH80011.
12. 100Amps 3P 600VOLT BREAKER SIEMENS PART#ED63B100L C/W E2NIS ENCLOSURE.
13. 100Amps LEN CONTACTOR C/W HOA IN 410mmx410mmx205mm ENCLOSURE.
14. RAB DEVICE BOX IBCS100CN C/W BLANK PVC WEATHERPROOF COVER SCEBRC1510
15. INTERMATIC PHOTOCELL PART#K4221C.
16. SIEMENS DISTRIBUTION PANEL PART#P1L42ML125CBS 3P 4WIRE 600VOLT 42 CRT.
17. PVC JUNCTION BOX CAPABLE OF HOLDING EXTRA FUSES AND AN EXTRA COIL.

### CONDUIT AND WIRE SIZING:

- A. 53mm CONDUIT C/W 4 x #3 RWU90 & 1 x #8 GRN CONDUCTORS
- B. 41mm CONDUIT C/W 4 x #3 RWU90 & 1 x #8 GRN CONDUCTORS
- C. 25mm CONDUIT C/W 1 x #6 GRN 1 1
- D. NMFC OR PVC C/W 2 x #12 RWU90 & #12 GRN 2 2
- E. 25mm CONDUIT C/W 2 x #10 RWU90 & #8 GRN

### RULES AND REGULATIONS:

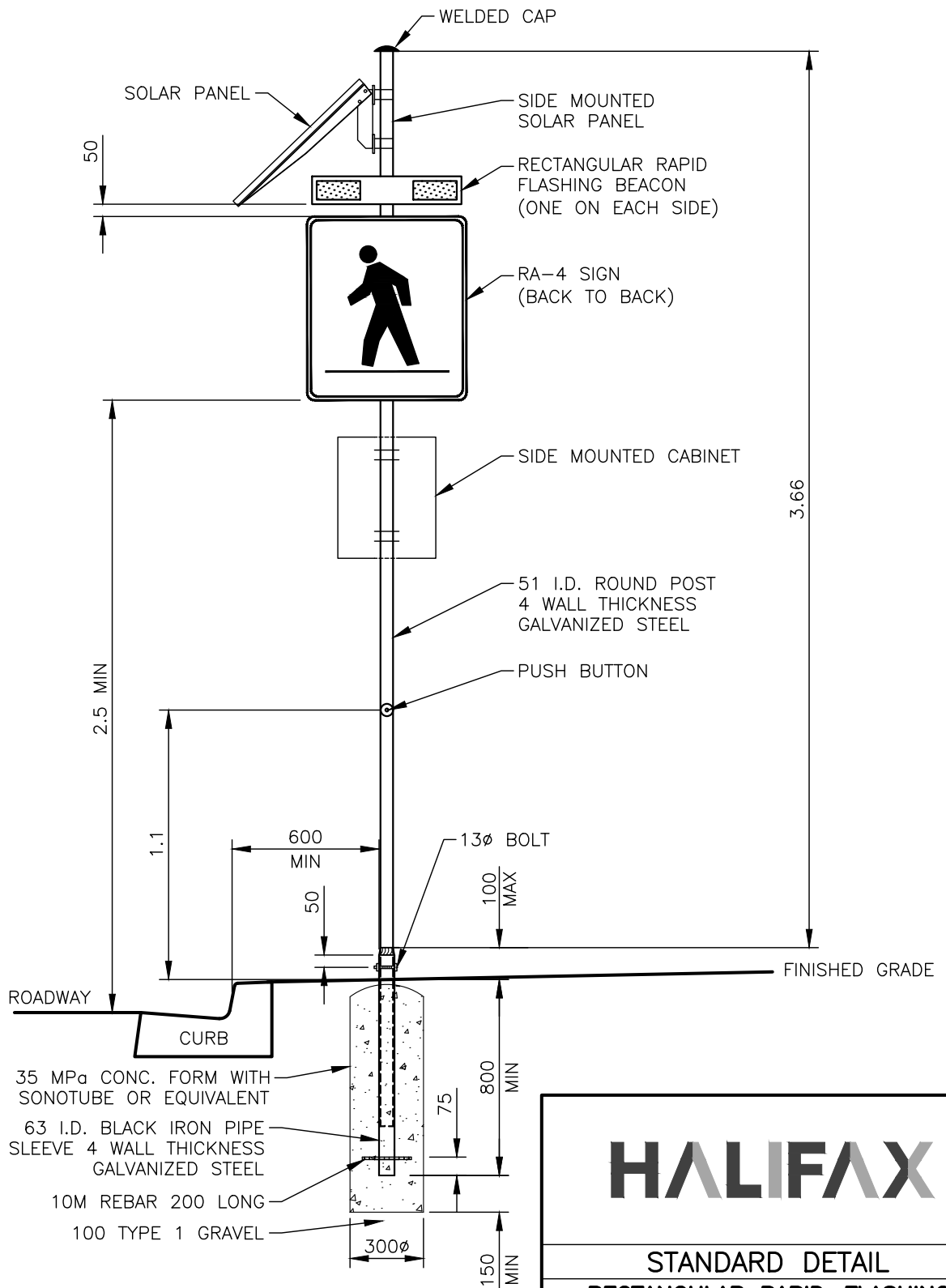
1. ALL WIRING MUST BE DONE IN ACCORDANCE WITH THE LATEST EDITION OF THE CANADIAN ELECTRICAL CODE.
2. CABINET MUST BE CSA APPROVED.
3. CABINET DOORS MUST HAVE BARS TO HOLD DOORS OPEN.
4. CABINET DOORS MUST BE LOCKABLE AND BE ABLE TO ACCEPT A PADLOCK.
5. CABINET MUST HAVE A REMOVEABLE CENTER POST FOR THE DOORS.
6. CABINET DOORS MUST HAVE A GASKET TO PREVENT MOISTURE FROM ENTERING THE CABINET.
7. ALL MOUTING SCREWS MUST BE STAINLESS.
8. CABINET MUST HAVE A DRAWING HOLDER AND ALL WIRING SCHEMATICS WITH IT.
9. MANUFACTURER MUST PROVIDE REPLACEMENT FUSES, LIGHTBULB, AND A SPARE COIL. TO BE MOUTED IN A PVC JUNCTION BOX IN A CONVIENT LOCATION.
10. ALL COMPONENTS MUST BE LABELED WITH LAMACOIDS IE; VOLTAGE, CURRENT, AND CIRCUIT.
11. ITEM #7 MUST BE LABELED WITH LAMACOIDS TO INDICATE WHAT THE CIRCUIT IS FEEDING.

# HALIFAX

STANDARD DETAIL

**STREET LIGHT POWER  
ENCLOSURE PARTS LIST**

DATE:	2021	REFERENCE	APPROVED
SCALE:	NTS		FIG No.: <b>HRM 171</b>

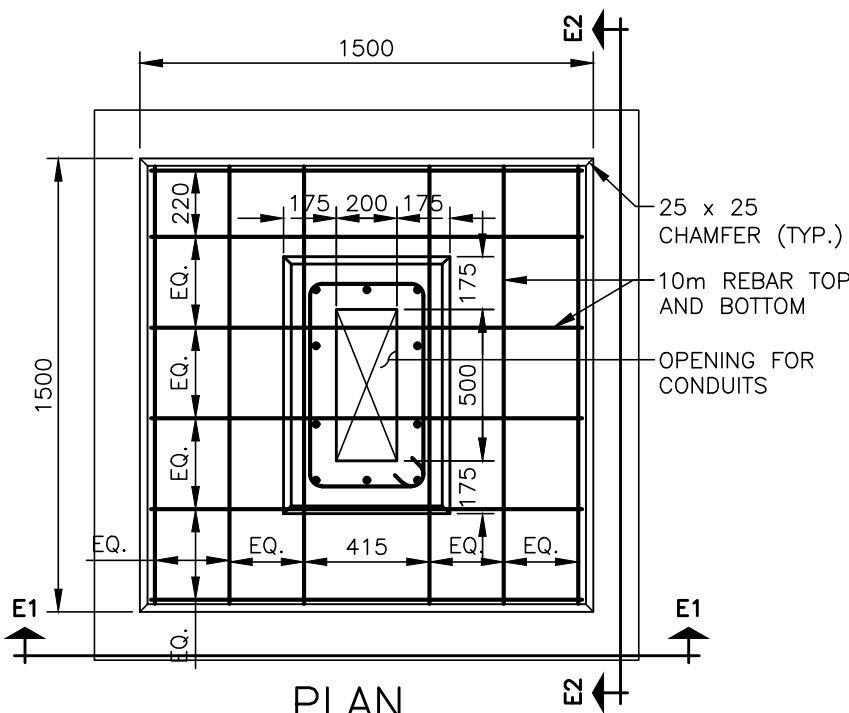


# HALIFAX

## STANDARD DETAIL

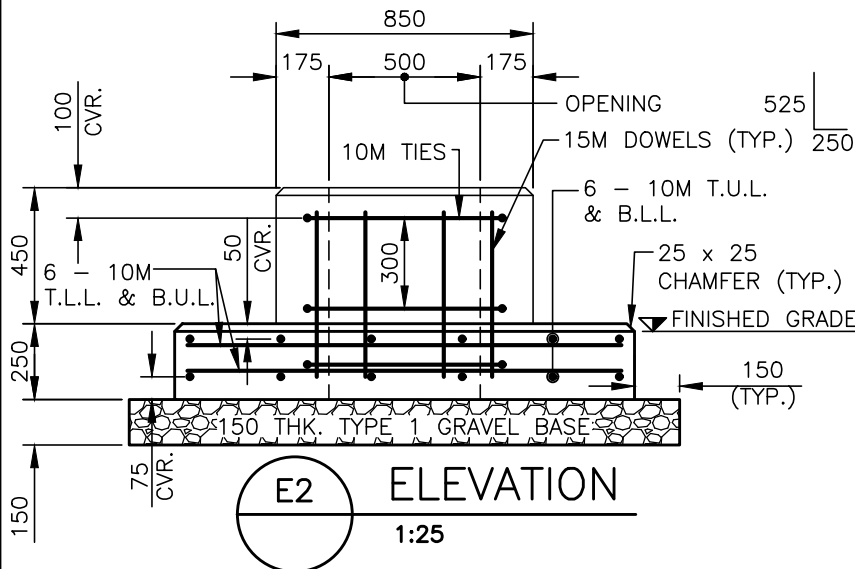
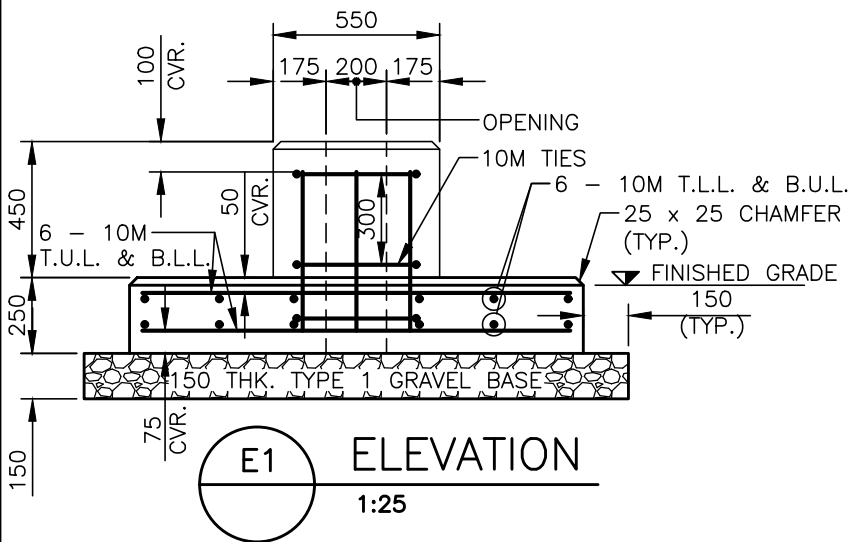
### RECTANGULAR RAPID-FLASHING BEACON SIGNAL CONFIGURATION (SOLAR PANEL)

DATE:	2021	REFERENCE	APPROVED
SCALE:	1:25		FIG No.: HRM 172



**NOTES:**

1. CONCRETE 28 DAY COMPRESSIVE STRENGTH TO BE 35 MPa.
2. PROVIDE MIN. 50 COVER FOR ALL REBAR (UNLESS NOTED OTHERWISE).
3. PROVIDE GROUNDING FOR CONTROLLER CABINET.
4. IN ADDITION TO CONDUITS SPECIFIED ON EQUIPMENT DRAWINGS/SPECIFICATIONS, PROVIDE 2-50mm DIA. PVC CONDUIT AND STUB OUTSIDE OF BASE.
5. ALL CONDUIT FITTINGS SHALL BE TO CANADIAN ELECTRICAL CODE.
6. CONTROLLER CABINET ANCHORS ARE ASSUMED TO BE 20mm DIA. x 150mm LONG A304 STAINLESS STEEL THREADED ROD, WITH APPROVED CHEMICAL ADHESIVE, INSTALLED IN ACCORDANCE WITH ANCHOR MANUFACTURERS GUIDELINES.
7. SUITABILITY OF ANCHORS IS TO BE CONFIRMED BY EQUIPMENT MANUFACTURER PRIOR TO INSTALLATION.
8. MAXIMIZE ANCHOR EDGE DISTANCES.
9. ALL DIMENSIONS IN MILLIMETERS.
10. REBAR TO CONFORM TO CAN/CSA G30.18-09 GRADE 400W DEFORMED BARS.



**HALIFAX**

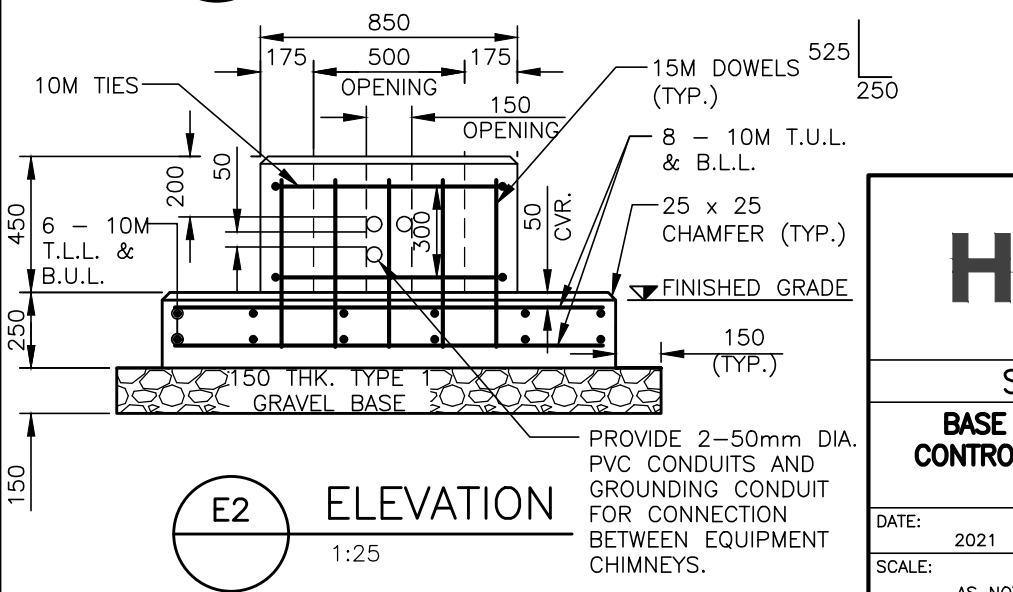
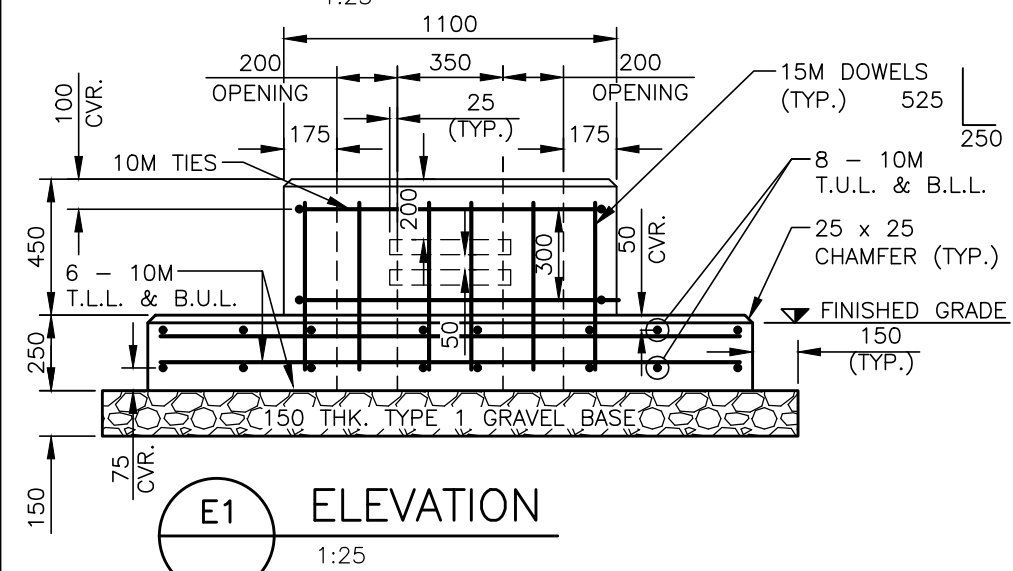
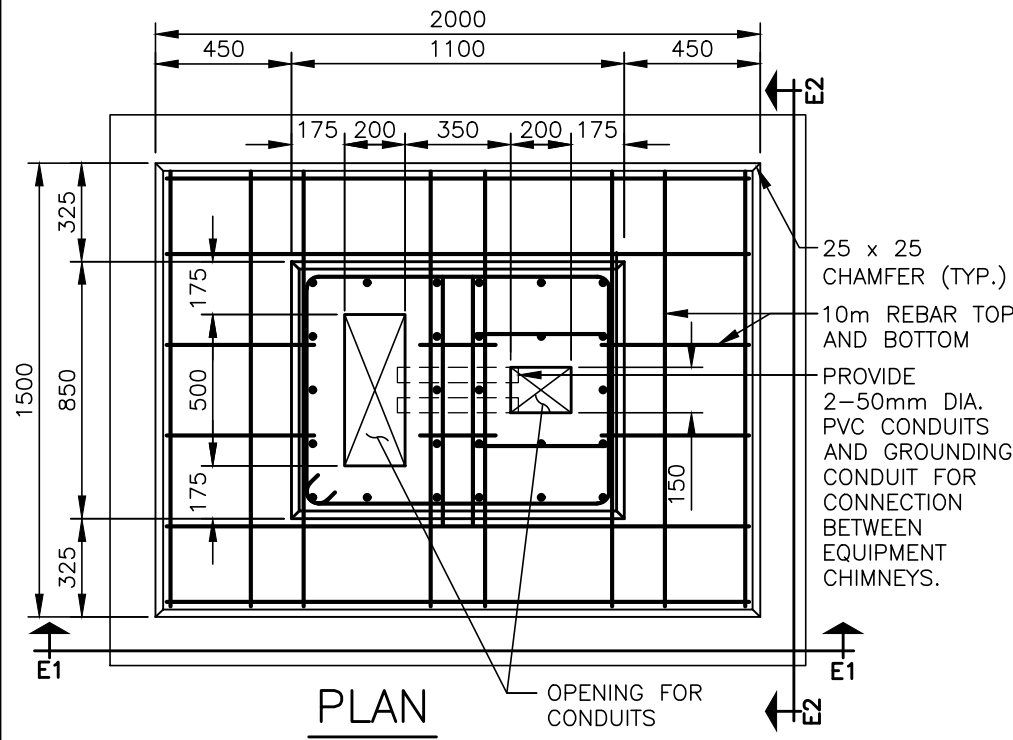
STANDARD DETAIL

**BASE MOUNTED TRAFFIC SIGNAL CONTROLLER CABINET**

DATE: 2021	REFERENCE	APPROVED
SCALE: AS NOTED		FIG No.: HRM 175

**NOTES:**

1. CONCRETE 28 DAY COMPRESSIVE STRENGTH TO BE 35 MPa.
2. PROVIDE MIN. 50 COVER FOR ALL REBAR (UNLESS NOTED OTHERWISE).
3. PROVIDE GROUNDING FOR CONTROLLER CABINET.
4. IN ADDITION TO CONDUITS SPECIFIED ON EQUIPMENT DRAWINGS/SPECIFICATIONS, PROVIDE 2-50mm DIA. PVC CONDUIT AND GROUNDING CONDUIT FOR CONNECTION BETWEEN EQUIPMENT CHIMNEYS.
5. ALL CONDUIT FITTINGS SHALL BE TO CANADIAN ELECTRICAL CODE.
6. CONTROLLER CABINET ANCHORS ARE ASSUMED TO BE 20mm DIA. x 150mm LONG A304 STAINLESS STEEL THREADED ROD, WITH APPROVED CHEMICAL ADHESIVE, INSTALLED IN ACCORDANCE WITH ANCHOR MANUFACTURERS GUIDELINES.
7. BATTERY BACK-UP UNIT ANCHORS ARE ASSUMED TO BE 22mm DIA. x 150mm LONG A304 STAINLESS STEEL THREADED ROD, WITH APPROVED CHEMICAL ADHESIVE, INSTALLED IN ACCORDANCE WITH ANCHOR MANUFACTURERS GUIDELINES.
8. SUITABILITY OF ANCHORS IS TO BE CONFIRMED BY EQUIPMENT MANUFACTURER PRIOR TO INSTALLATION.
9. MAXIMIZE ANCHOR EDGE DISTANCES.
10. ALL DIMENSIONS IN MILLIMETERS.
11. REBAR TO CONFORM TO CAN/CSA G30.18-09 GRADE 400W DEFORMED BARS.



# HALIFAX

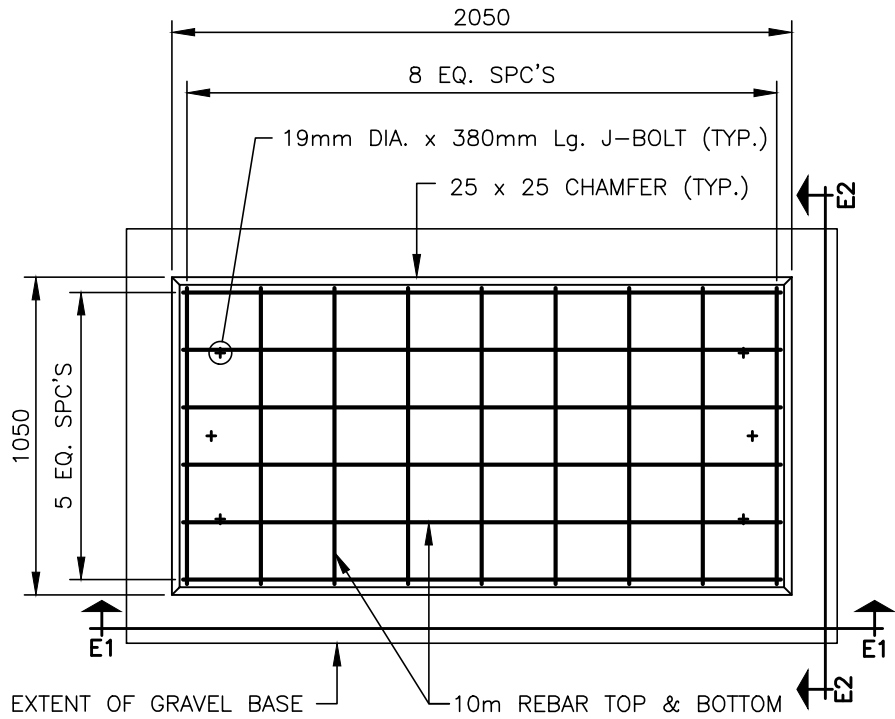
---

**STANDARD DETAIL**

**BASE MOUNTED TRAFFIC SIGNAL  
CONTROLLER CABINET WITH BATTERY  
BACK-UP UNIT**

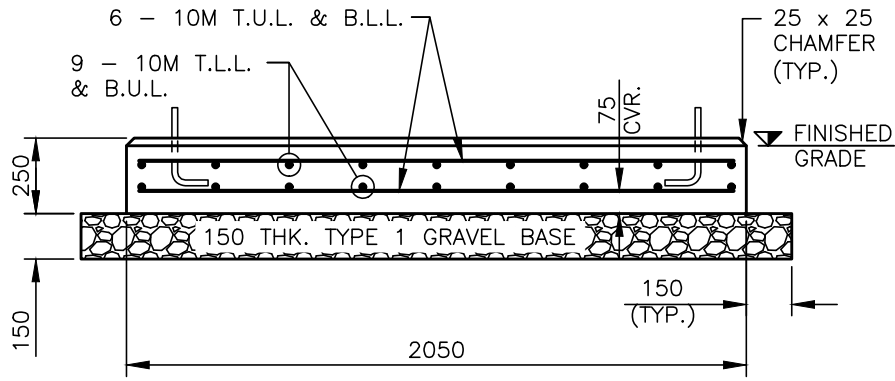
DATE:	REFERENCE	APPROVED
2021		
SCALE:		FIG No.:
AS NOTED		HRM 176

PROVIDE 2-50mm DIA. PVC CONDUITS AND GROUNDING CONDUIT FOR CONNECTION BETWEEN EQUIPMENT CHIMNEYS.



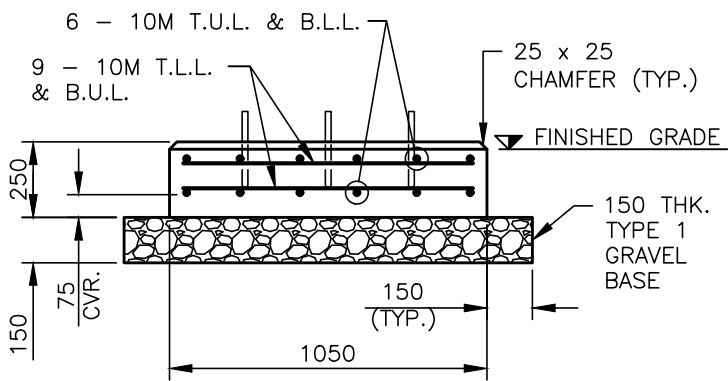
**PLAN**

1:25



**E1 ELEVATION**

1:25



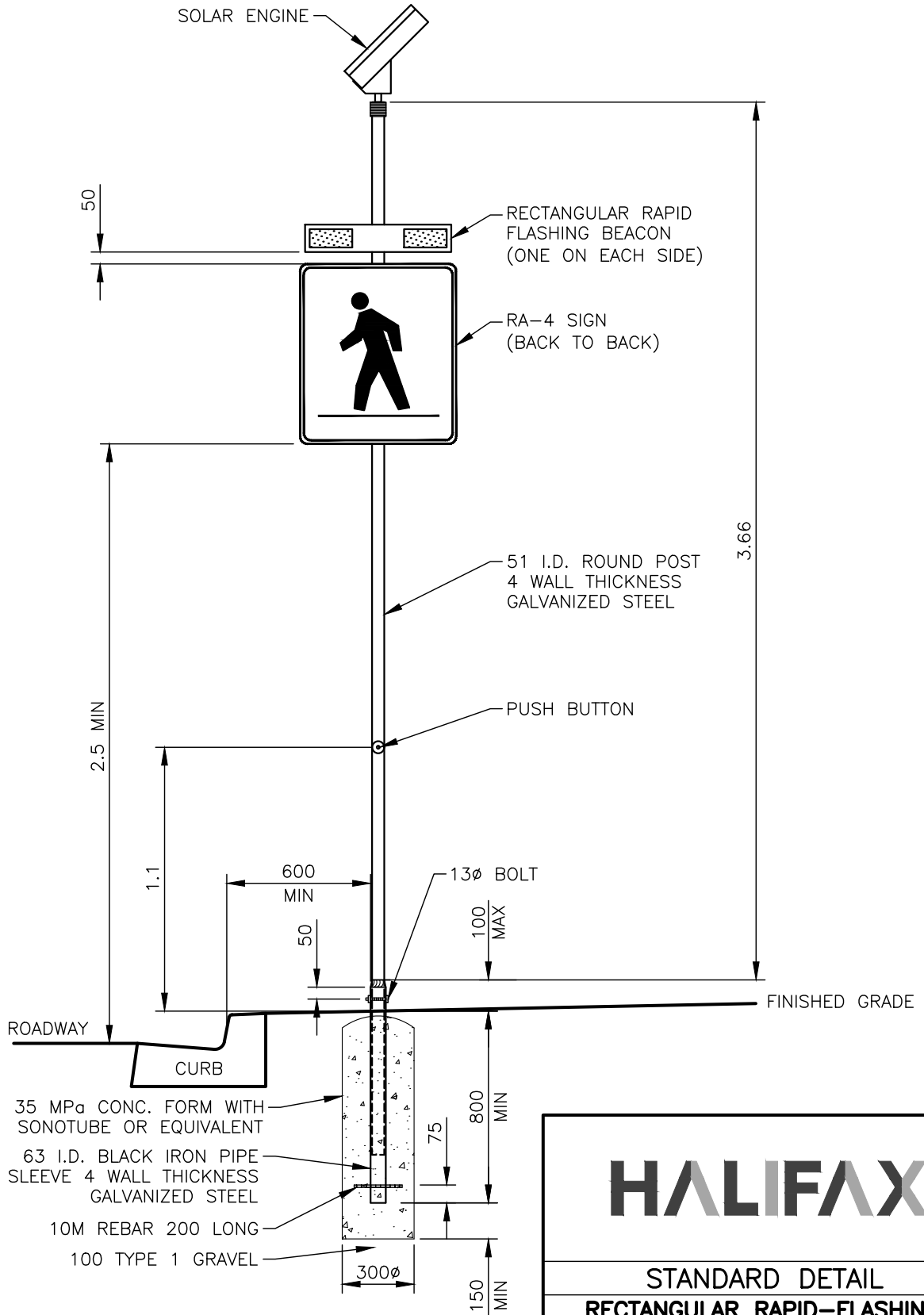
**E2 ELEVATION**

1:25

**NOTES:**

1. CONCRETE 28 DAY COMPRESSIVE STRENGTH TO BE 35 MPa.
2. PROVIDE MIN. 50mm COVER FOR ALL REBAR (UNLESS NOTED OTHERWISE).
3. PROVIDE GROUNDING PLATE FOR CABINET.
4. TYPICAL STREET LIGHT POWER ENCLOSURES ARE 610mm WIDE BY 1830mm LONG BY 1830mm HIGH. THE ENCLOSURE MUST BE CENTERED ON THE CONCRETE PAD AND THE CONDUIT LAYOUT MUST ALIGN WITH THE MOUNTING BACKBOARD INSIDE THE ENCLOSURE AS PER THE TYPICAL STREET LIGHT POWER ENCLOSURE "RED BOOK" DETAILS HRM 109-HRM 111.
5. ALL CONDUIT FITTINGS AND GROUNDING SHALL BE TO CANADIAN ELECTRICAL CODE.
6. CONTROLLER CABINET ANCHORS ARE ASSUMED TO BE 6-19mm DIA. x 380mm LONG A307 GALVANIZED STEEL J-BOLTS.
7. SUITABILITY OF ANCHORS IS TO BE CONFIRMED BY EQUIPMENT MANUFACTURER PRIOR TO INSTALLATION.
8. ALL DIMENSIONS IN MILLIMETERS.
9. REBAR TO CONFORM TO CAN/CSA G30.18-09 GRADE 400W DEFORMED BARS.
10. MAXIMUM CONDUIT DIAMETER = 150mm. PROVIDE AT LEAST 25mm CLEAR SPACE BETWEEN CONDUITS.
11. MAXIMUM NUMBER OF CONDUITS PER BASE = 10 x 150mm DIA. CONDUITS OR EQUIVALENT AREA OF SMALLER CONDUITS. (LOCALLY ADJUST REBAR SPACINGS IF NECESSARY).

<h1>HALIFAX</h1>		
<b>STANDARD DETAIL</b>		
<b>STREET LIGHTING POWER ENCLOSURE BASE</b>		
DATE:	REFERENCE	APPROVED
2021		
SCALE:		FIG No.:
AS NOTED		HRM 177



# HALIFAX

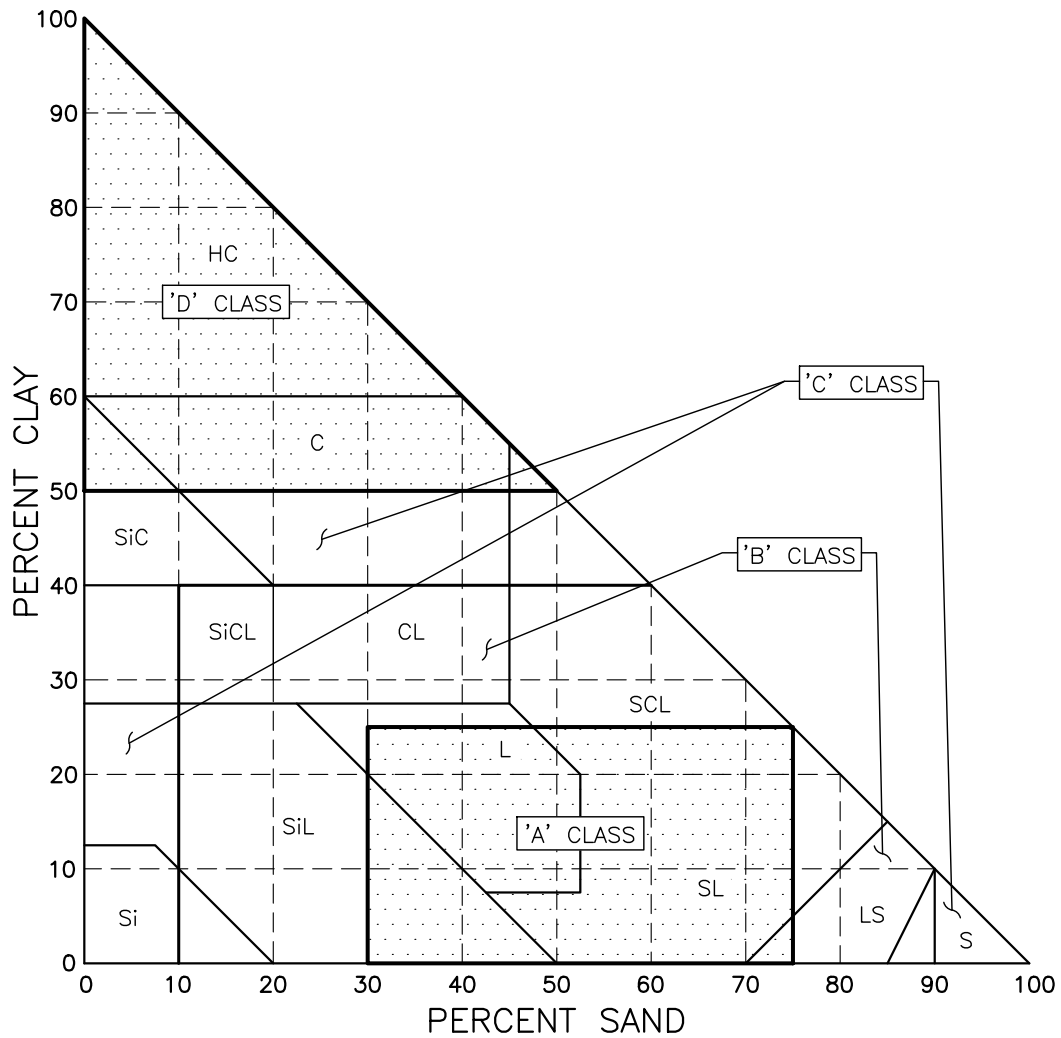
## STANDARD DETAIL

### RECTANGULAR RAPID-FLASHING BEACON SIGNAL CONFIGURATION (SOLAR ENGINE)

DATE:	2021	REFERENCE	APPROVED
SCALE:	1:25		FIG No.: HRM 180



## PROPOSED SOIL GROUPINGS



**NOTES:**

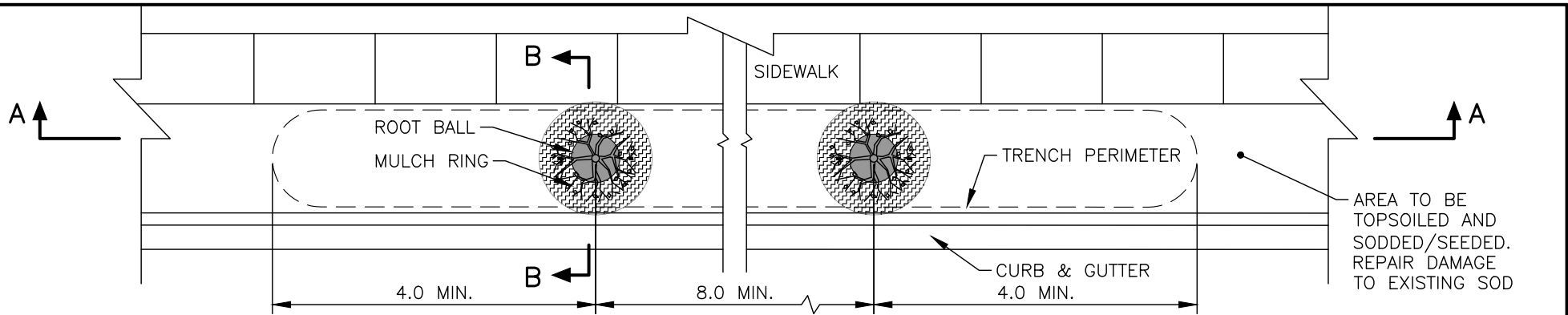
1. SOIL TEXTURE CLASSES. PERCENTAGES OF CLAY AND SAND IN THE MAIN TEXTURAL CLASSES OF SOIL; THE REMAINDER OF EACH CLASS IS SLIT.

# HALIFAX

STANDARD DETAIL

**SOIL TEXTURE TRIANGLE**

DATE:	2021	REFERENCE	APPROVED
SCALE:	NTS		FIG No.:
			<b>HRM 181</b>

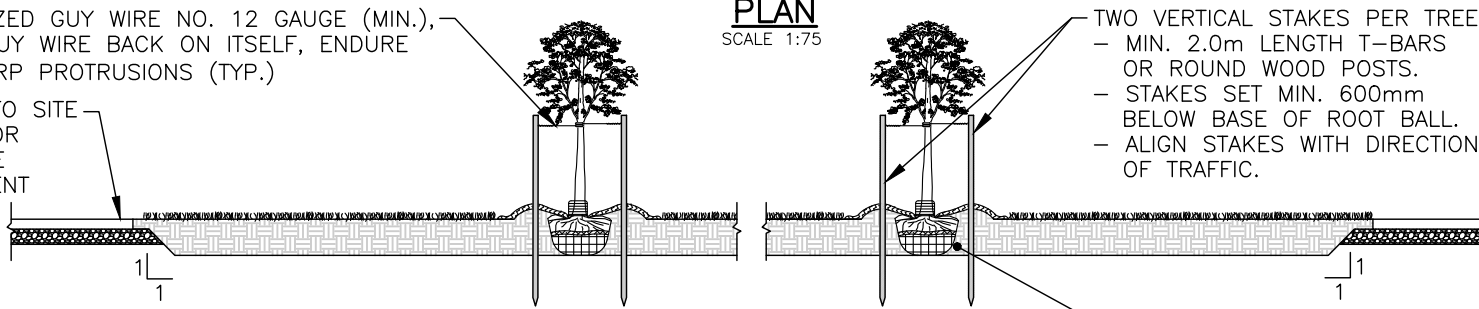


**PLAN**  
SCALE 1:75

GALVANIZED GUY WIRE NO. 12 GAUGE (MIN.), WRAP GUY WIRE BACK ON ITSELF, ENDURE NO SHARP PROTRUSIONS (TYP.)

REFER TO SITE PLAN FOR SURFACE TREATMENT (TYP.)

TWO VERTICAL STAKES PER TREE:  
 - MIN. 2.0m LENGTH T-BARS OR ROUND WOOD POSTS.  
 - STAKES SET MIN. 600mm BELOW BASE OF ROOT BALL.  
 - ALIGN STAKES WITH DIRECTION OF TRAFFIC.



**SECTION A-A**  
SCALE 1:75

TREE GUARD. ARBORGARD + AG9-4 OR APPROVED EQUAL  
 ROOT COLLAR 50mm ABOVE GRADE

FOLD OR REMOVE TOP 1/3 WIRE BASKET AND/OR BURLAP FROM ROOT BALL

FORM A 100mm HIGH SOIL RING TO DIRECT WATER TO ROOT BALL

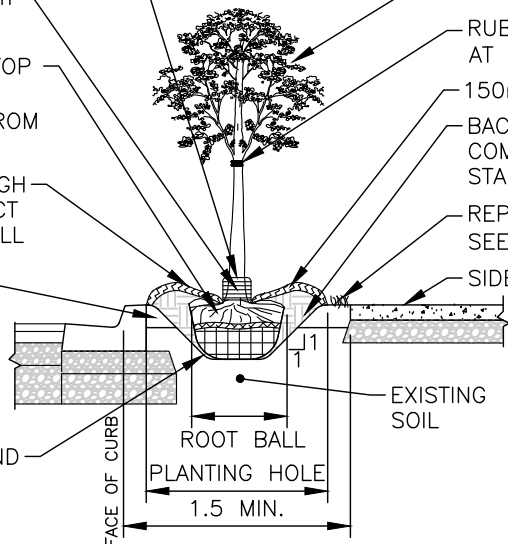
150mm TOPSOIL

SCARIFY BOTTOM AND WALLS OF TRENCH BEFORE PLACING ROOT BALL

DECIDUOUS TREE  
 50-60mm CALIPER

PRUNE DEAD, BROKEN AND DISEASED TREE LIMBS  
 RUBBER HOSE, POSITION APPROX. AT 3/5 HEIGHT FOR ALL TREES  
 150mm DEPTH APPROVED MULCH  
 BACKFILL TRENCH WITH TOPSOIL, COMPACT JUST TO ENSURE STABILITY OF ROOT BALL  
 REPAIR ANY DAMAGED SEED/SOD TO HRM STANDARDS  
 SIDEWALK

BACKFILL TRENCH WITH TOPSOIL, COMPACT TO MAXIMUM 85% SPD, ENSURE STABILITY OF ROOTBALL.



**SECTION B-B**  
SCALE 1:50

**NOTES:**

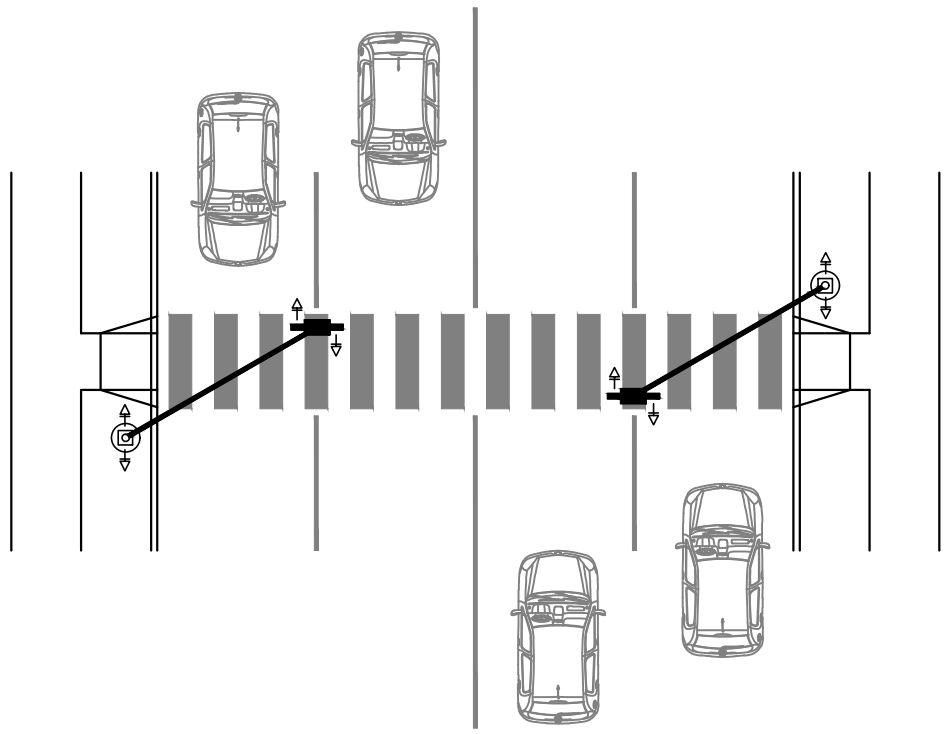
1. SOAK THE ROOTBALL AND BACKFILL AREA WITH 40 LITRES OF WATER AFTER PLANTING
2. ROOT BALL MIN. SIZE AS PER CNLA STANDARDS FOR NURSERY STOCK
3. MINIMUM TRENCH LENGTH: 8m PER TREE UNLESS APPROVED BY URBAN FORESTER

**HALIFAX**

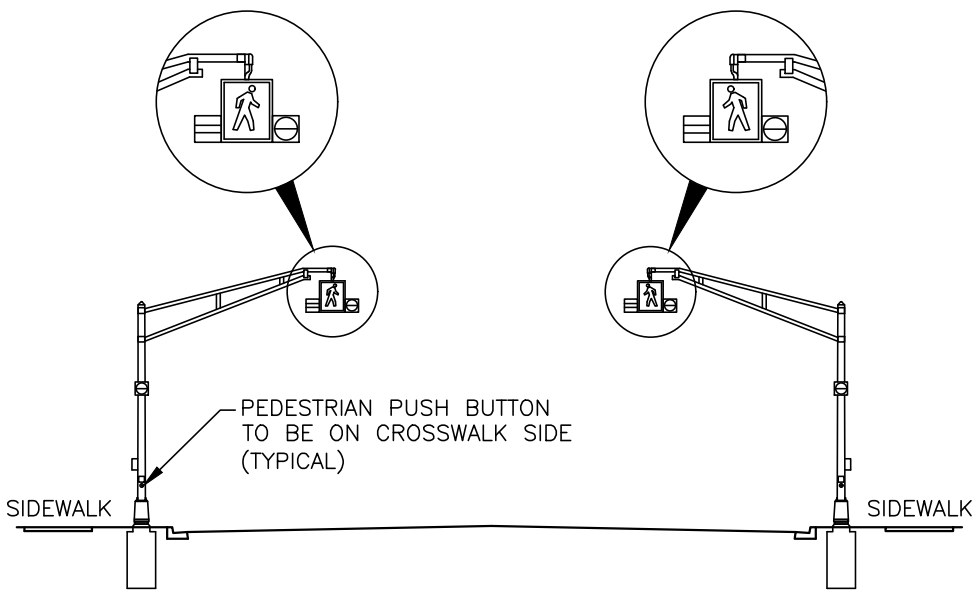
STANDARD DETAIL

TREE PLANTING  
 IN SOD BOULEVARD

DATE:	2021	REFERENCE	APPROVED
SCALE:	AS NOTED	FIG No.:	HRM 182



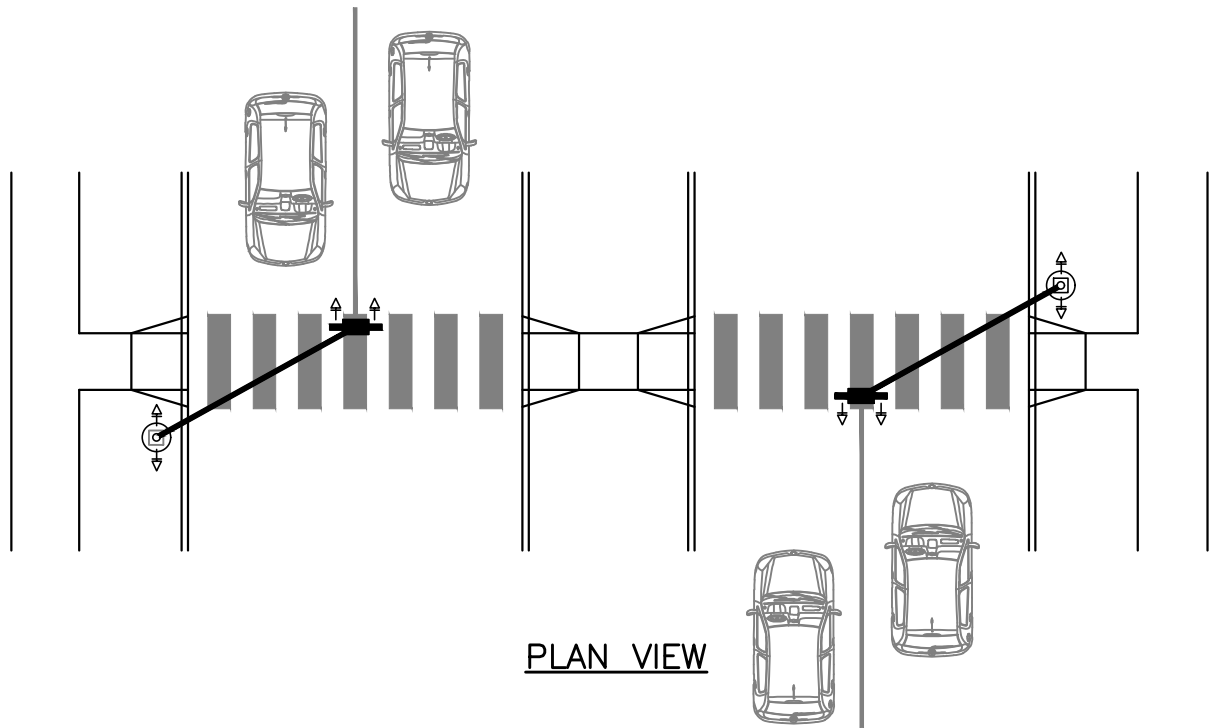
PLAN VIEW



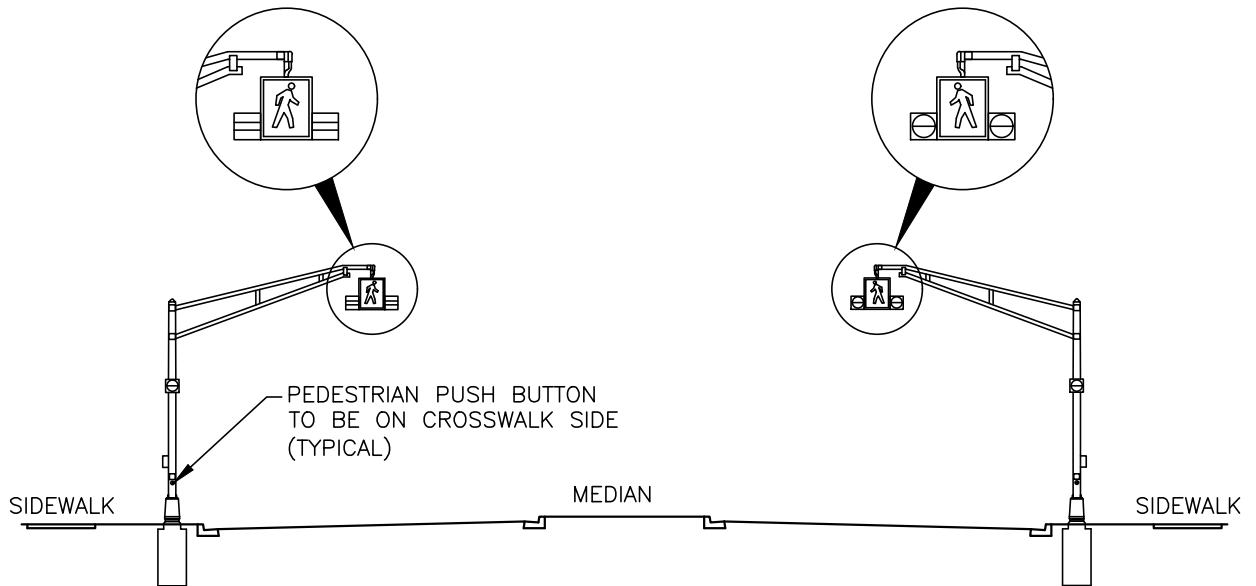
ELEVATION VIEW

NOTE:  
 SEE RED BOOK STANDARD DETAIL  
 "ALUMINUM POLE RA-5 SIGNAL  
 CONFIGURATION"

<b>HALIFAX</b>		
STANDARD DETAIL		
RA-5 CROSSING		
DATE:	2021	REFERENCE
SCALE:	NTS	APPROVED
		FIG No.: <b>HRM 183</b>



PLAN VIEW



ELEVATION VIEW

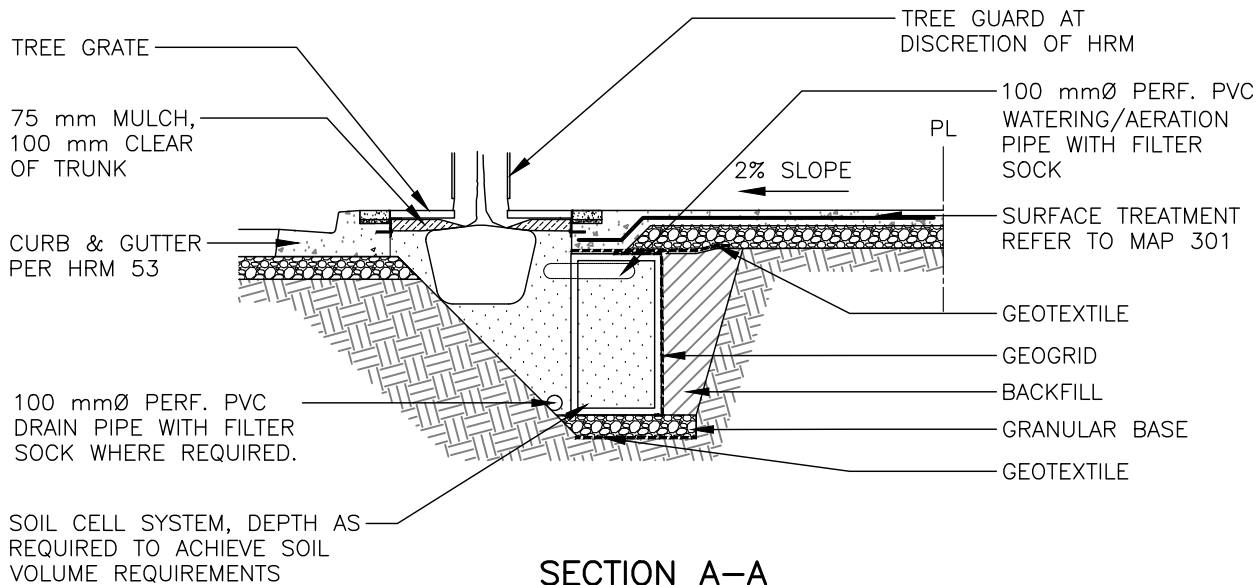
NOTE:

SEE RED BOOK STANDARD DETAIL  
"ALUMINUM POLE RA-5 SIGNAL  
CONFIGURATION"

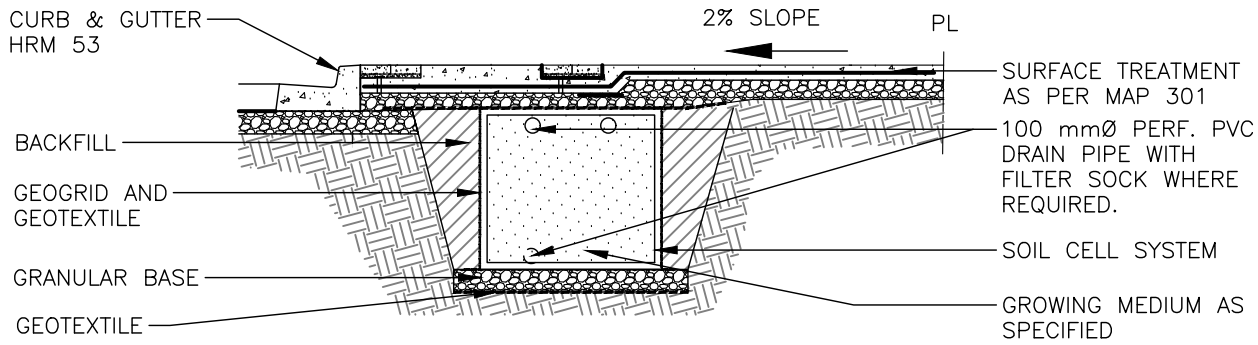
# HALIFAX

STANDARD DETAIL  
RA-5 CROSSING  
(WITH CENTRE MEDIAN)

DATE:	2021	REFERENCE	APPROVED
SCALE:	NTS		FIG No.: HRM 184



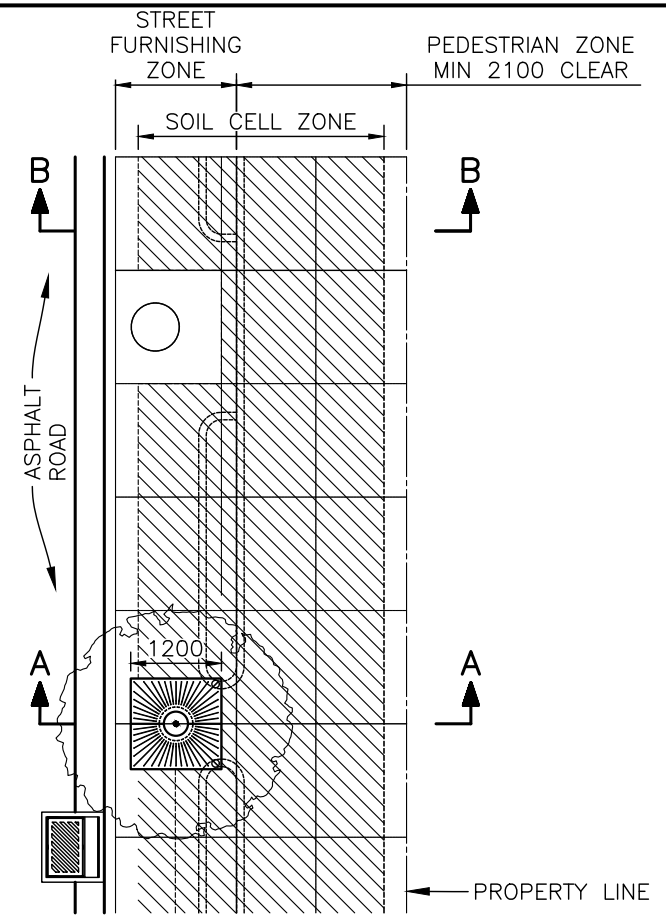
**SECTION A-A**  
SCALE: 1:50



**SECTION B-B**  
SCALE: 1:50

**NOTES:**

1. TREE GRATE PER HRM DETAIL 187
2. TREE GUARD TO BE INSTALLED AT DISCRETION OF HRM
3. WORK WITHIN 2 m OF UTILITY POLES REQUIRES NON-DESTRUCTIVE HOLDING PLANS STAMPED BY AN ENGINEER LICENSED TO WORK IN NS
4. SOIL CELL SYSTEM, GEOTEXTILE, GEOGRID, AND GRANULAR BASE TO BE INSTALLED AS PER MFR SPEC
5. REFER TO SECTION A: DESIGN GUIDELINES, FOR SOIL VOLUME REQUIREMENTS



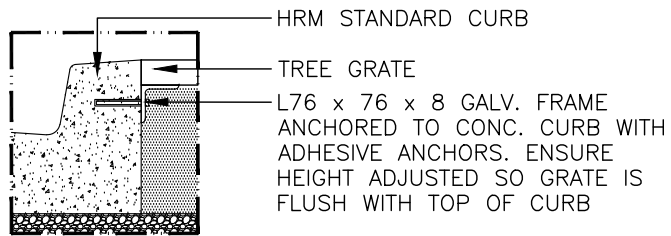
**PLAN**  
SCALE: 1:100

**HALIFAX**

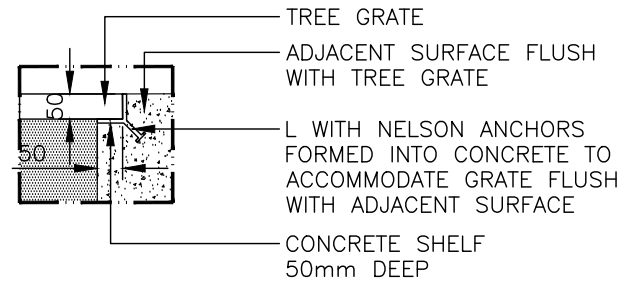
**STANDARD DETAIL**

**TREE IN HARDSCAPE WITH SOIL CELLS AND TREE GRATE**

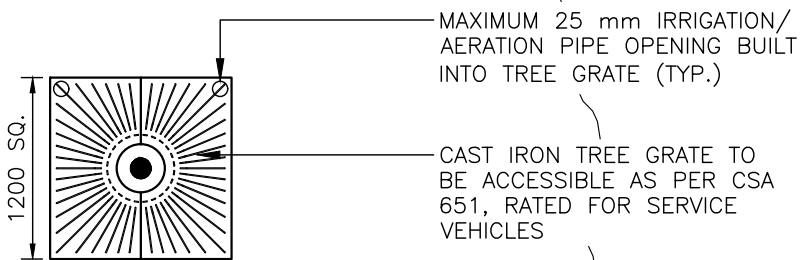
DATE:	2021	REFERENCE	APPROVED
SCALE:	AS NOTED		FIG No.:
			<b>HRM 186</b>



TREE GRATE AT EXIST. CURB



TREE GRATE AT PROP. CAST-IN-PLACE CONCRETE



ACCESSIBLE TREE GRATE

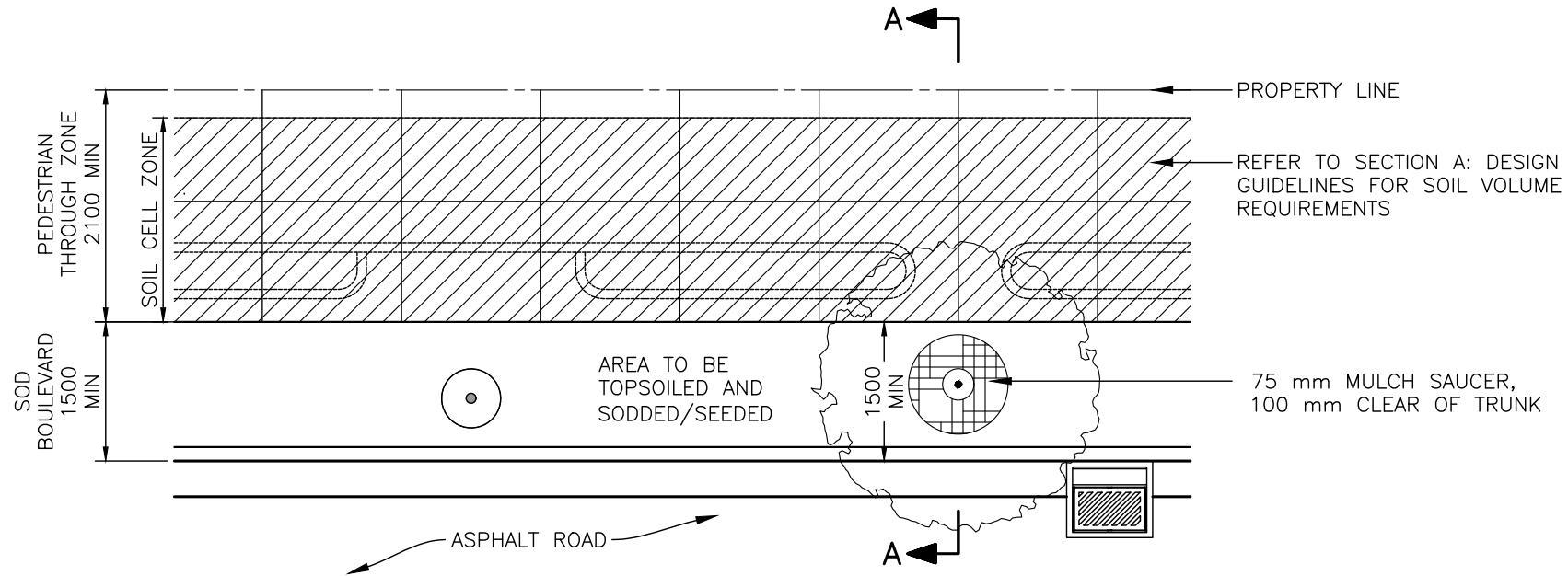
SCALE: 1:50

**HALIFAX**

STANDARD DETAIL

TREE GRATE DETAILS

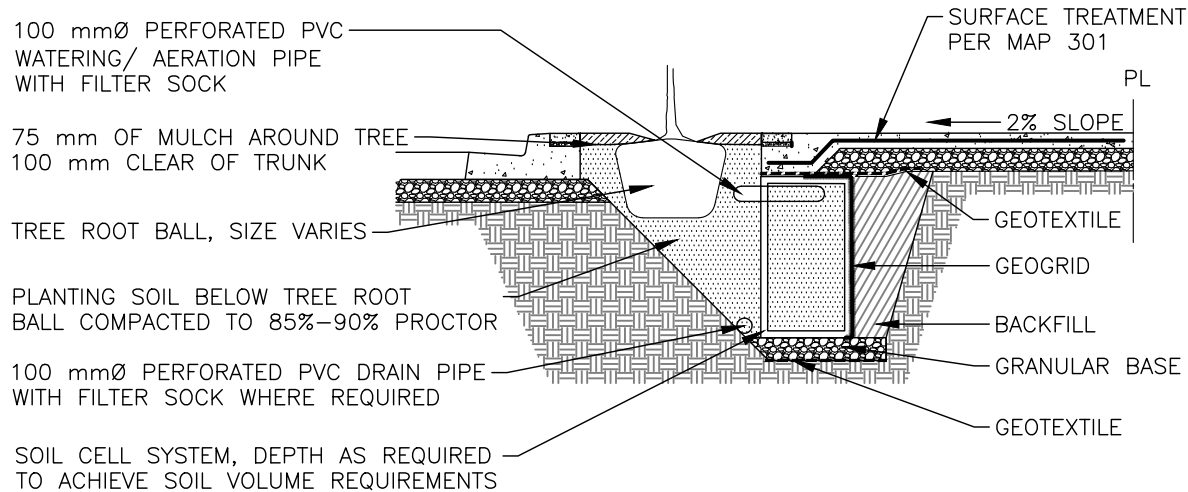
DATE:	2021	REFERENCE	APPROVED
SCALE:	1:15		FIG No.: <b>HRM 187</b>



**PLAN**  
SCALE 1:75

**NOTES:**

1. WORK WITHIN 2 m OF UTILITY POLES REQUIRES NON-DESTRUCTIVE HOLDING PLANS STAMPED BY AN ENGINEER LICENSED TO WORK IN NS
2. SOIL CELL SYSTEM, GEOTEXTILE, GEOGRID, AND GRANULAR BASE TO BE INSTALLED AS PER MFR SPEC
3. REFER TO SECTION A: DESIGN GUIDELINES, FOR SOIL VOLUME REQUIREMENTS.



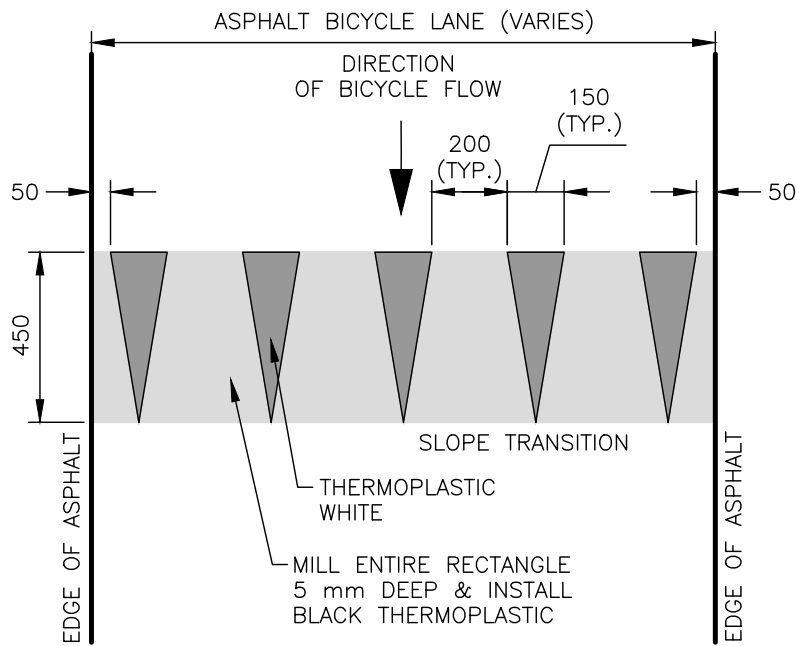
**SECTION A-A**  
SCALE 1:50

**HALIFAX**

**STANDARD DETAIL**

**TREE IN SOD BOULEVARD WITH SOIL CELLS**

DATE:	2021	REFERENCE	APPROVED
SCALE:	AS NOTED		FIG No.: <b>HRM 188</b>

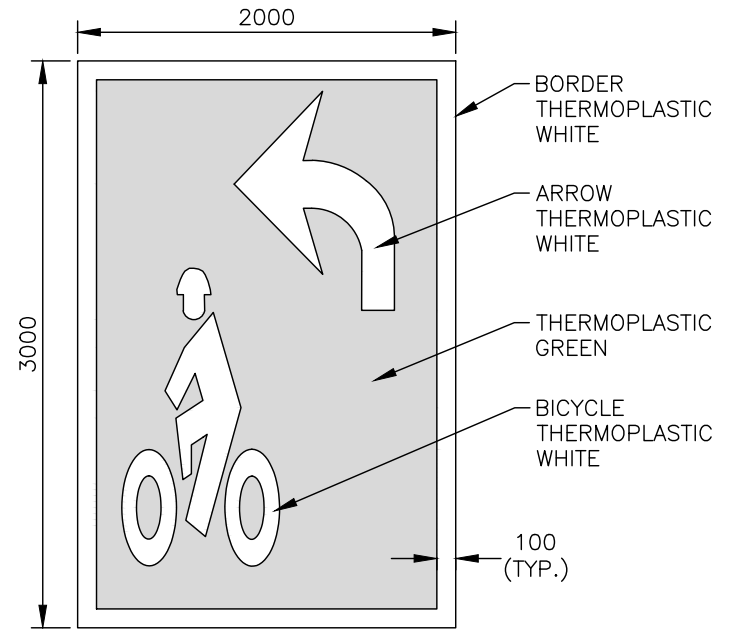


**NOTES:**

- TO IDENTIFY SLOPE ARROWS POINT UP AND ONLY ON LEADING EDGE.
- TO IDENTIFY YIELD CONDITION ARROWS POINT TOWARD YIELDING VEHICLE (BIKE).

**SHARKS TEETH TRIANGLES**

SCALE 1:20



**2 STAGE BICYCLE LEFT TURN BOX**

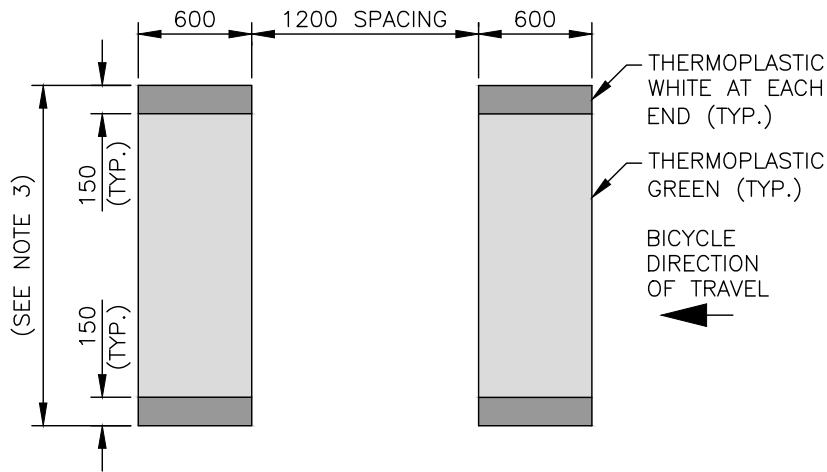
SCALE 1:40

**NOTES:**

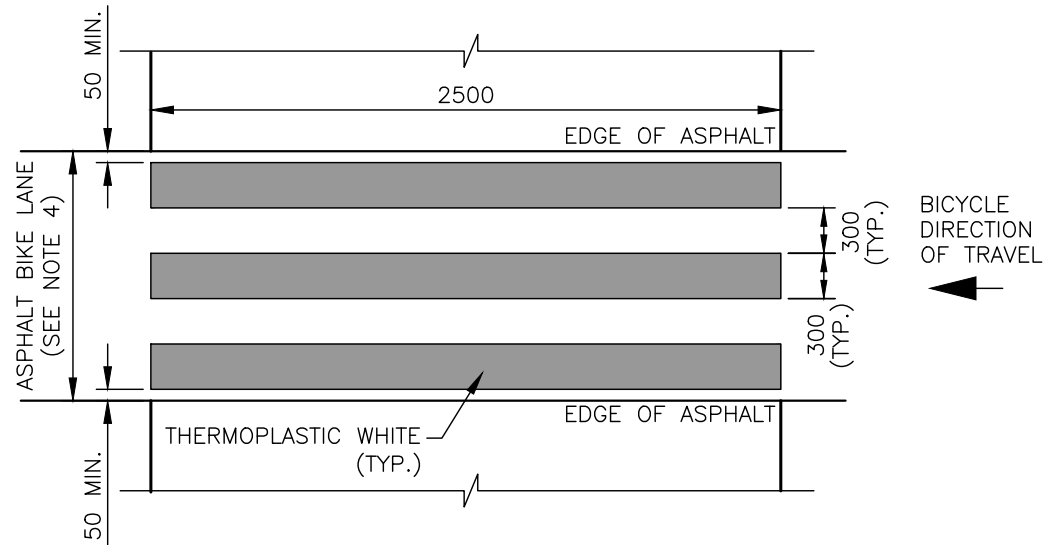
1. ALL DIMENSIONS SHOWN ARE IN MILLIMETRES.
2. FOR ALL THERMOPLASTIC PAVEMENT MARKINGS, CONTRACTOR TO MILL 5 mm DEEP BEFORE APPLYING THERMOPLASTIC SHEETS.

HALIFAX		
STANDARD DETAIL		
BICYCLE PAVEMENT MARKINGS		
DATE:	REFERENCE	APPROVED
2021		
SCALE:		FIG No.:
AS NOTED		<b>HRM 189</b>





**VEHICLE/BICYCLE ZEBRA CONFLICT MARKING**



**PEDESTRIAN CROSSING AT BIKE LANE**

**NOTES**

1. ALL DIMENSIONS SHOWN ARE IN MILLIMETRES.
2. FOR ALL THERMOPLASTIC PAVEMENT MARKINGS, CONTRACTOR TO MILL 5 mm DEEP BEFORE APPLYING THERMOPLASTIC SHEETS.
3. CONFLICT MARKING WIDTH TO MATCH WIDTH OF BIKE LANE AND BUFFER.
4. PEDESTRIAN CONFLICT MARKING WIDTH TO MATCH WIDTH OF BIKE LANE.

**HALIFAX**

**STANDARD DETAIL**

**BICYCLE LANE CONFLICT MARKINGS**

DATE:	2021	REFERENCE	APPROVED
SCALE:	NTS		FIG No.: <b>HRM 190</b>

# Municipal Design Guidelines

2021

Part C: Drawing Standards



HALIFAX

# Contents

- 1.0 PURPOSE AND AUTHORITY ..... 1**
  - 1.1 GENERAL ..... 1
- 2.0 DIGITAL STANDARDS..... 1**
  - 2.1 GENERAL ..... 1
- 3.0 GEOGRAPHIC REFERENCE..... 1**
  - 3.1 GENERAL ..... 1
    - 3.1.1 Horizontal Datum..... 1
    - 3.1.2 Vertical Datum..... 1
    - 3.1.3 Map Projection ..... 2
    - 3.1.4 Units ..... 2
    - 3.1.5 Unit Accuracy ..... 2
  - 3.2 SURVEY DATA ..... 2
- 4.0 DESIGN DRAWINGS..... 2**
  - 4.1 GENERAL ..... 2
  - 4.2 PRESENTATION..... 3
    - 4.2.1 Units ..... 3
    - 4.2.2 Scale ..... 3
    - 4.2.3 Title block ..... 3
    - 4.2.4 Standard notes ..... 3
    - 4.2.5 Key plan ..... 3
    - 4.2.6 Sheet size..... 3
    - 4.2.7 North arrow..... 3
    - 4.2.8 Plan orientation ..... 3
    - 4.2.9 Plan details..... 4

4.2.10	Details .....	4
4.3	PLAN .....	4
4.4	PROFILE .....	4
4.5	SIGNING OF DRAWINGS.....	5
4.6	FORMAT .....	5
<b>5.0</b>	<b>RECORD DRAWINGS.....</b>	<b>5</b>
5.1	GENERAL .....	5
5.2	FORMAT .....	5
5.2.1	Hard Copy .....	5
5.2.2	Electronic format .....	5
5.3	SPATIAL DATA DELIVERY FORMAT .....	5
5.4	FEATURE CODES.....	6
<b>6.0</b>	<b>SUBMISSION OF DIGITAL CAD FILES.....</b>	<b>6</b>
6.1	GENERAL .....	6
6.2	DELIVERY MEDIA .....	6
6.3	ACCEPTABLE DELIVERY FORMAT .....	6
6.4	DRAWING CLEAN-UP .....	6
6.5	DOCUMENTATION.....	6
<b>7.0</b>	<b>DIGITAL CAD DRAWING STRUCTURE.....</b>	<b>7</b>
7.1	GENERAL .....	7
7.2	LAYERS .....	7
7.3	FCODES.....	7
7.3.1	Block Reference - Point Features .....	7
7.3.2	Linetype - Line Features.....	8
7.4	PROTOTYPE DRAWINGS.....	8

7.4.1	Hrmtree.dwt .....	9
7.4.2	assemblies.dwg .....	11
7.4.3	hrmpp.dwt.....	11
7.4.4	hrmmapbook.dwt.....	11
7.4.5	hrmsubtemplate.dwt .....	11
7.5	AVAILABLE DATA.....	11
7.6	LETTERING AND DIMENSIONS .....	12
7.7	RULES FOR WRITING NUMBERS .....	12
<b>8.0</b>	<b>AUTOCAD DATA ENTRY: FEATURE CREATION .....</b>	<b>13</b>
8.1	GENERAL .....	13
8.2	FEATURE COLLECTION.....	13
8.2.1	Road.....	13
8.2.2	Sidewalk .....	13
8.2.3	Fences.....	13
8.2.4	Buildings.....	13
8.2.5	Structures .....	13
8.2.6	Trees, signs, poles .....	14
<b>9.0</b>	<b>HARD COPY PLOTS .....</b>	<b>14</b>
9.1	GENERAL .....	14
9.2	SCALES .....	14
9.3	PLOT STYLE.....	15
<b>10.0</b>	<b>GENERAL CONDITIONS .....</b>	<b>15</b>
10.1	STREET NAMES.....	15
10.2	INTERSECTION IDENTIFICATION .....	15
10.3	PERCENT (%) GRADE .....	15

10.4 REVISIONS TO PLAN.....	15
10.5 SIGNING OF PLANS.....	16
<b>11.0 LEGAL PLANS DETAILS.....</b>	<b>16</b>
<b>12.0 APPENDICES.....</b>	<b>16</b>

# 1.0 PURPOSE AND AUTHORITY

## 1.1 GENERAL

- The purpose of this document is to standardize and identify requirements for the preparation and delivery of computer aided drafting drawings (CAD) being done by or for the Halifax Regional Municipality (HRM), and drawings requiring the approval of the HRM.
- These standards are issued under the authority of the HRM.
- These standards are mandatory for all drawings prepared for and submitted to HRM, including Subdivision drawings, Design Engineering drawings, Right-of-Way infrastructure drawings, any other engineering drawings and Legal drawings.
- These standards apply to hard copy and digital drawing preparations.
- These standards define the structure for digital drawing files for the purpose of compiling HRM's Infrastructure GIS database.
- This procedure is subject to change without notification and the onus is on the user to ensure that they use the latest revised edition.
- Any deviation from these standards is prohibited unless approved by HRM and must be submitted with documentation detailing the CAD drawing structure so as to facilitate the compilation of HRM's Infrastructure GIS database.

# 2.0 DIGITAL STANDARDS

## 2.1 GENERAL

- The Halifax Regional Municipality creates engineering drawings with AutoCAD Civil 3D.
- All design and record drawings created for submission to HRM shall be compatible with AutoCAD's DWG format.
- The digital standards described in this document are contained within HRM's PROTOTYPE drawings (DWT/DWG) and are available upon request.
- Details regarding the standards are outlined in the remainder of the document.
- Drawings prepared using other CAD packages are acceptable if and only if they meet the requirements defined in this procedure.

# 3.0 GEOGRAPHIC REFERENCE

## 3.1 GENERAL

Nova Scotia Coordinate Referencing System: all work shall be referenced using real world coordinates.

### 3.1.1 Horizontal Datum

All geographic referenced points shall be NAD83(CSRS) Epoch 2010.0, as defined by the control monuments in the Nova Scotia Coordinate Referencing System.

### 3.1.2 Vertical Datum

All geographic referenced points shall be Canadian Geodetic Vertical Datum 2013 (CGVD2013), as defined by the control monuments in the Nova Scotia Coordinate Referencing System.

### 3.1.3 Map Projection

All geographic referenced data shall be referred to zone 5 (Central Meridian 64° 30' West Longitude) or zone 4 (Central Meridian 61° 30' West Longitude) of the Nova Scotia 3° Modified Transverse Mercator Projection of the horizontal datum (MTM Zone 4 and Zone 5).

### 3.1.4 Units

All coordinates, measurements and dimensions shall be expressed in metric units.

### 3.1.5 Unit Accuracy

All coordinates, measurements and dimensions shall be expressed to a minimum of 3 decimal places.

## 3.2 SURVEY DATA

The surveyor shall:

- (a) Separate features by layer before the information is transferred to the CAD drawing to simplify the drawing structure as per Section 7.0 - Digital CAD Drawing Structure;
- (b) All features captured via survey shall be identified and coded according to HRM feature codes (FCODES) as defined in the HRM Survey field code library, and Appendix D;
- (c) The HRM survey field code library is available at <http://www.halifax.ca/designcon/design/munservices.html> or upon by request;
- (d) Original Survey shots shall be submitted digitally as per Section 6.0 - Submission of Digital CAD files.

## 4.0 DESIGN DRAWINGS

### 4.1 GENERAL

All design drawings, hard copy and digital, shall include (with each specification detailed further in the document):

- Plan
- Profile
- Details as required / project specification
- Overall plan
- Legend



- Scale
- Title block
- North arrow
- Key plan
- Survey control table
- Proposed centerline alignment table and layout

## 4.2 PRESENTATION

The presentation of the plan and profile components of the engineering design drawing shall be as follows:

### 4.2.1 Units

METRIC

### 4.2.2 Scale

1:500, 1:250, 1:200 or as directed by the HRM Engineer in charge or the engineer the CAD technician reports to.

### 4.2.3 Title block

The title block is to be located in the lower right-hand corner of the sheet as seen in figure DS 02 and is to include key plan, legend, notes, revisions, dates, scales, drawing number, approving signatures, drawing title and company name as seen in figures DS 04, DS 05 and DS 07.

### 4.2.4 Standard notes

Standard notes must be placed in appropriate sections of the title block as seen in figure DS 24.

### 4.2.5 Key plan

The key plan is to be placed in the area provided at the top of the title block for all drawings, which clearly shows the project location within the community.

### 4.2.6 Sheet size

Drawings comprising a set shall be of uniform size. A standard plan/profile drawing shall be sheet size A1, refer to figure DS 01 for details or as approved by HRM. A1 and A1+ sheet size with layouts are included in the HRMTEMPLATE.dwt.

### 4.2.7 North arrow

A north arrow shall be placed in the upper right-hand corner of the plan area. A NORTH arrow symbol shall be used for all plans as shown in Figure DS 10.

### 4.2.8 Plan orientation

Plans shall be drawn to be viewed from the bottom or right-hand side only with north arrow pointing upwards (between 9 and 3 o'clock), when possible. All Horizontal and Vertical chainages shall increase from left to right.

#### 4.2.9 Plan details

See appropriate procedure for details on drafting various types of plans (i.e., survey plan, tentative plan, final plan, street design plan, etc.).

#### 4.2.10 Details

To be included as required by or as directed by the Engineer.

### 4.3 PLAN

The engineering design plan shall include:

- (a) The existing and proposed location and horizontal alignment of:
  - (i) Curbed roads, sidewalks and driveways;
  - (ii) Traffic markings and infrastructure;
  - (iii) Sanitary and storm sewer systems and appurtenances;
  - (iv) Water system and appurtenances;
  - (v) Fencing, retaining walls, guide rails and other barrier infrastructure;
  - (vi) Utility systems both above and below ground, including underground power, telecommunication systems or gas lines etc.;
  - (vii) All other public services and their appurtenances;
  - (viii) Cross-section and details are to be scaled to fully illustrate the subject matter.
- (b) Street dimensioning and name;
- (c) Boundary lines of each lot, civic number and PID where available;
- (d) Chainage at 50m intervals along the centreline of the street and the chainage of all intersecting street centrelines;
- (e) Any control monuments and bench marks that are within the area of the plan;
- (f) Limits of the construction;
- (g) Survey control table as per figure DS 12;
- (h) Proposed centreline alignment table and layout as per figure DS 12.

### 4.4 PROFILE

Engineering design drawing profile shall include the existing and proposed location and vertical alignment of:

- (a) The proposed centreline street grade;
- (b) The finished grade;
- (c) The water system, including size, material, elevation/depth, fitting inverts;
- (d) The sanitary sewer and storm sewer systems, including manhole and catch basin lead inverts, material, size, elevation, depth of cover;
- (e) Any other underground services and appurtenances;
- (f) Profile grid - the profile section of a plan must be plotted on Halifax Regional Municipality standard grid. See figures DS 17 and DS 18 for line weights, placement of text, etc.;
- (g) Scale - 1:50.

#### **4.5 SIGNING OF DRAWINGS**

The engineering design drawing shall be stamped and signed by a Professional Engineer currently registered to practise in Nova Scotia.

#### **4.6 FORMAT**

The format of the design drawing shall be:

- Hard copy on 20 lbs paper;
- Electronic format as per Section 6.0 - Submission of Digital CAD files.

### **5.0 RECORD DRAWINGS**

#### **5.1 GENERAL**

- The record drawing shall include all information on the “Design Drawing” as per Section 4 revised to reflect the “as recorded” information.
- Record Drawings are required upon completion of all engineering projects to reflect “as recorded” information. The parties responsible for the preparation of Record Drawings will be determined and agreed upon prior to the awarding of all contracts.

#### **5.2 FORMAT**

Record information submission shall include both of the following formats:

##### **5.2.1 Hard Copy**

All signed original plots shall be plotted on stable base (minimum) 3 mil film as per Section 9.0 - Hard Copy Plots;

##### **5.2.2 Electronic format**

As per Section 6.0 - Submission of Digital CAD Files, Section 7.0 - Digital CAD Drawing Structure and Section 8.0 Auto CAD Data Entry: Feature Creation.

#### **5.3 SPATIAL DATA DELIVERY FORMAT**

All RECORD data must be submitted in ASCII format as described in Section 6 - Submission of Digital CAD Files and within a CAD drawing, conforming to HRM’s Drawing Standards defined in this document. Specifically;

- (a) RECORD data must be placed on “RECORD SURVEY” layers as defined in the HRM Prototype Drawing, described in Section 7 - Digital CAD Drawing Structure;
- (b) Proposed data / future development data shall be removed from the digital record drawing submission;
- (c) RECORD submission shall include RECORD SURVEY data only.

## 5.4 FEATURE CODES

All RECORD features shall be identified and coded according to HRM feature codes (FCODES) both in the submitted digital CAD file and the submitted ASCII file as described in Section 6 - Submission of Digital CAD Files.

HRM FCODES are listed in Appendix C of this document.

# 6.0 SUBMISSION OF DIGITAL CAD FILES

## 6.1 GENERAL

The following guidelines must be followed for acceptable delivery of CAD files to Halifax Regional Municipality. Unless otherwise directed CAD files will not be required for legal drawings.

## 6.2 DELIVERY MEDIA

- (a) Compact disk (CD);
- (b) e-mail;
- (c) as otherwise approved by HRM.

## 6.3 ACCEPTABLE DELIVERY FORMAT

- (a) AutoCAD Drawing File Format (DWG);
- (b) Original Survey Field Shots: Data file or Text file in ASCII Format, where:

ASCII files shall contain fields in the following order: Point#, Northing, Easting, Elevation, FCODE (using HRM define FCODES);

- (c) If files are compressed, include appropriate software to explode or decompress files.

## 6.4 DRAWING CLEAN-UP

Prior to drawing submission ensure the following CAD functions have been performed on the digital drawing file (DWG):

- PURGE: removing unused layers and block references, removing PROPOSED or FUTURE Development layers;
- DRAWING CLEANUP: removing and correcting pseudo nodes, undershoots/overshoots, duplicate features and other topological errors;
- ETRANSMIT: automatically including associated XREFS, plot styles and font files with submission.

## 6.5 DOCUMENTATION

Documentation must accompany all CAD files. This documentation should contain the following information:

- (a) Contract number;

- (b) File name listing with descriptions;
- (c) Drawing name listing (if different from above);
- (d) Revision status and dates of CAD files;
- (e) CAD software name and version number;
- (f) ASCII file data structures, field sites (database information if applicable);
- (g) Data history (source, scale of original map if digitized, operations performed on data).

## 7.0 DIGITAL CAD DRAWING STRUCTURE

### 7.1 GENERAL

The digital CAD drawing structure ensures all drawing files (DWG) are produced with a consistent schema, regardless of producer, so that a single process can be used to migrate infrastructure features created via engineering efforts to a single GIS Infrastructure Database thereby eliminating human error and redundant efforts in the data creation process.

All CAD drawing files must contain a definite structure with respect to layering, linetypes, block references, lettering and dimensions. For specific details, refer to the appropriate template drawing details described in this section.

### 7.2 LAYERS

Layers have been defined to hold specific features. Each feature must be placed on the correct drawing layer. All layers are defined in the prototype drawings for the specific application:

Engineering Drawings: **HRMTEMPLATE.DWT**

Subdivision Engineering Drawings: **HRMSUBTEMPLATE.DWT**

Legal Survey Drawings: **LEGAL.DWG**

A list of layers (layer name, description, and linetype) is contained in Appendix A for Engineering Drawings and Subdivision Engineering Drawings as they follow the same layer structure as described in this section. See Appendix B for Legal Drawings.

### 7.3 FCODES

All features identified in the CAD file must be coded according to HRM feature codes (FCODES). FCODES are included in all HRM template drawings and listed in Appendix C.

#### 7.3.1 Block Reference - Point Features

For point features this is accomplished through block references. Point features such as manholes, trees, poles, etc. must be symbolized using HRM block

references thereby assigning the correct HRM FCODE. Block references are included in all HRM template drawings.

All RECORD SURVEY symbolized point features are to be placed on layer HE-SYMBOLS-ALL

Ex. a Utility Pole is identified as UTPO therefore

Layer = HE-SYMBOLS-ALL

Block Reference = UTPO

All Blocks and Symbols listed in this document are contained in the prototype drawings.

Refer to figures DS 10 and DS 11 for commonly used symbols. For the remainder see HRMTEMPLATE.dwt and LEGAL.dwg or refer to Appendix C for the full block reference library.

All symbols used shall be denoted in the legend.

### 7.3.2 Linetype - Line Features

For linear features this is accomplished through linetypes. Linear features such as pipes, sidewalk, curb etc. must be symbolized using HRM linetypes thereby assigning the correct HRM FCODE and placed on the appropriate layer. Linetypes are included in all HRM template drawings.

Ex. a Curbed Road is identified as a RRCB therefore,

LAYER = HE-ROAD

LINETYPE = RRCB

See figures DS 14, DS 15 (for plan), and figures DS 17, DS 18 (for profile) for line weights, placement of text. A partial listing of lines (layer, linetype, description) is contained figure DS 25 of this procedure or refer to Appendix C.

For a complete list print "hrmlinesltscale1.lin".

## 7.4 PROTOTYPE DRAWINGS

HRM's Design staff have developed the following template drawings to facilitate the production of engineering drawings relating to HRM infrastructure.

They include:

- (a) hrmtemplate.dwt
- (b) assemblies.dwg
- (c) hrmp.dwt

- (d) hrmmmapbook.dwt
- (e) HRMSUBTEMPLATE.dwt

#### 7.4.1 [Hrmtemplate.dwt](#)

This template drawing contains HRM's drawing standards for typical Design & Record Drawings.

##### 7.4.1.1 Layer Structure

- (a) "HE-" layers represent Horizontal Existing (RECORD SURVEY) and hold various line features. See 7.4.1.7 for a complete list of RECORD LAYERS;
- (b) HE-SYMBOLS-All (RECORD SURVEY) - containing all symbolized points
- (c) "HP-" layers represent Horizontal Proposed features (point and line). See 7.4.1.8 for a complete list of PROPOSED LAYERS;
- (d) "...from HRM GIS" indicates data extracted from HRM's Infrastructure GIS database (point or line);
- (e) "VE-" layers represent Vertical Existing profile features (point and line);
- (f) "VP-" layers represent Vertical Proposed profile features (point and line)
- (g) "K-" layers represent Key Plan features;
- (h) Where a layer does not exist for a particular feature and a new layer must be added, it must follow HRM's standardized layer naming convention where RECORD SURVEY layers begin with "HE" and PROPOSED layers begin with "HP" and include an appropriate description in the layers' description field.

7.4.1.2 Block References - defined by HRM Feature Codes (FCODE);

7.4.1.3 Linetypes - defined by HRM FCODES and listed in "hrmlinesltscale1.lin";

7.4.1.4 Standard drawing sheet sizes;

7.4.1.5 Civil 3D Styles - defined within the template to control the display and design characteristics of drawing objects. Any style defined by HRM is named as such. i.e. Point Label - HRM NO DISPLAY turns off the label display for POINT objects.

These styles are applicable to Civil 3D users only;

7.4.1.6 Description Keys - Defined for importing LandXML points by matching the raw Survey description key (FCODE) to the properties specified in that description key, applying the template properties to the point when it is created. The description keys show the code and sets the point style, the point label style, the format, and the layer properties.

Description Keys are applicable to Civil 3D users only;

7.4.1.7 Record Layers are as follows, all begin with “HE”:

<b>Layer Name</b>	<b>Description</b>
HE-BREAKLINES	RECORD SURVEY: Breaklines for TIN / Back of Curb / Centerline
HE-BUILDING	RECORD SURVEY: Building Line
HE-COMBINED	RECORD SURVEY: Combined Sewer Pipe
HE-CONTOUR	RECORD SURVEY: Contour Line
HE-DRIVEWAY	RECORD SURVEY: Driveway-parking-walkway Line
HE-FENCE	RECORD SURVEY: Fence Line
HE-GAS	RECORD SURVEY: Natural Gas Pipe Line
HE-HYDRO	RECORD SURVEY: Ditch-Lake-Stream Coast Line
HE-LABEL-ALL	RECORD SURVEY: All Labels
HE-OTHER	RECORD SURVEY: Miscellaneous Line
HE-PARCEL	RECORD SURVEY: Parcel Line
HE-POINTS-ALL	RECORD SURVEY: All Points
HE-ROAD	RECORD SURVEY: Road Line
HE-SAMPLE	RECORD SURVEY: Section Line of Plan
HE-SANITARY	RECORD SURVEY: Sanitary Sewer Pipe
HE-SIDEWALK	RECORD SURVEY: Sidewalk Line
HE-SLOPES	RECORD SURVEY: Slope Line
HE-STORM	RECORD SURVEY: Storm Sewer Pipe
HE-STREETLINE	RECORD SURVEY: Edge of Right-of-Way
HE-STRUCTURE	RECORD SURVEY: Structure Line
HE-SURFACE	RECORD SURVEY: Surface for TIN Line
HE-SYMBOLS-	RECORD SURVEY: All Symbolized Points
HE-TRAFFIC	RECORD SURVEY: Traffic Line
HE-TREE LINE	RECORD SURVEY: Tree Line
HE-UTILITY	RECORD SURVEY: Utility Line
HE-WATER	RECORD SURVEY: Water Pipe

7.4.1.8 Proposed data must be placed on “PROPOSED” layers as defined below for Design Drawings and is applicable to Design Drawings only and not for Record Drawings.

Proposed Layers are as follows, all begin with “HP”.

<b>Layer Name</b>	<b>Description</b>
HP-ASSEMBLY	PROPOSED: Assembly Template
HP-COMBINED	PROPOSED: Combined Sewer Pipe



HP-CORRIDOR	PROPOSED: Corridor
HP-MARKING	PROPOSED: Pavement Markings
HP-LINK	PROPOSED: Assembly Link
HP-CORRIDOR-FLI	PROPOSED: Corridor
HP-ROAD	PROPOSED: Road Line
HP-SANITARY	PROPOSED: Sanitary Sewer Pipe
HP-SIDEWALK	PROPOSED: Sidewalk Line
HP-STORM	PROPOSED: Storm Sewer Pipe
HP-TABLE	PROPOSED: Alignment Table

#### 7.4.2 [assemblies.dwg](#)

For those using Civil 3D's corridor modelling functionality, this template combines horizontal and vertical constraints to generate a proposed roadway cross-section for a typical HRM 9m road with 2% crown. The template accounts for elements along the right-of-way that affect a road design. It has the ability to show changes in road width (following an alignment) and changes to the road crown.

#### 7.4.3 [hrmpp.dwt](#)

For those using Civil 3D's Plan-Production Tools, this template contains the content to build a plot according to HRM's hard copy plot standard for 1:500 scale drawings. It contains HRM standard notes, title block, logo, legend, etc. It rotates views and the north arrow; it creates match lines; it generates HRM's standard profile.

#### 7.4.4 [hrmmapbook.dwt](#)

This template is set-up to plot cross-sections for "working" drawings using mapbookcreate.

#### 7.4.5 [hrmsubtemplate.dwt](#)

This template is set-up for Developers creating subdivision drawings in HRM and is the exact same as HRMTEMPLATE.dwt described in 7.4.1. in terms of layer structure, block reference library, linetype library, C3D styles, description keys, plot style and uses accompanying templates from sections 7.4.2, 7.4.3, 7.4.4. It differs in TITLEBLOCK layout only.

## 7.5 AVAILABLE DATA

The following data is available for the preparation of engineering drawings:

- (a) GIS Extracts - available if required by consultants preparing drawings initiated by the Halifax Regional Municipality and is released through a data license agreement, to be signed by the Consultant and a Halifax Regional Municipality representative. For a GIS data extraction, contact [GEOINFO@halifax.ca](mailto:GEOINFO@halifax.ca)
- (b) Survey Field Code Library is available at <http://www.halifax.ca/designcon/design/munservices.html> or upon request.

## 7.6 LETTERING AND DIMENSIONS

All lettering and dimensions must follow Halifax Regional Municipality standards defined in this document, refer to the standard drawings in Appendix D.

## 7.7 RULES FOR WRITING NUMBERS

- (a) Both the point and comma are widely used as the decimal marker. Only one type of marker shall be used in the one text. The decimal marker shall be positioned in line with the base of the associated numerals.
- (b) When the triad separator is required to facilitate the reading of long numbers, the separator shall be a space unless there is a compelling reason for it to be otherwise but in no case shall a point or comma be used. A space is not necessary with a four-digit group except when required for consistency, e.g. when it is in a column with other numbers having five or more digits.

### Examples:

32 453.246 072 5

1245 (1 245 optional)

3.1416 (3.141 6 optional) but 3.141 59

This clause need not apply to monetary values.

- (c) If a numerical value less than one is written in decimal form, a zero shall precede the decimal.
- (d) Acceptable formats when showing Length, Area and Volume:

metres: **128.5** or **128.5 m** (in notes and on details)

millimetres: **1285** or **1285 mm** (in notes and on details)

square metres: **1285 m<sup>2</sup>**

cubic metres: **1285 m<sup>3</sup>**

## 8.0 AUTOCAD DATA ENTRY: FEATURE CREATION

### 8.1 GENERAL

The following guidelines are recommended for data entry using AutoCAD.

- (a) The PLINE command should be used instead of the LINE command for linear and polygon shaped features. PLINE will create a node/vertex combination which is important for developing topology within a GIS. SPLINE command shall never be used.
- (b) If data is obtained through digitizing, document the scale of the original source map.
- (c) All polygon features must be closed by using OSNAP tools (Near, Int, End, etc.).
- (d) Do not double-digitize boundary lines which separate adjacent polygons. Adjacent polygons (within a thematic layer) should share a common boundary.
- (e) All feature outlines will be captured so that the feature lies to the right of the line (right hand rule).
- (f) All single line features which possesses a direction of flow will be captured in the direction of flow (e.g. Sewer Pipe).

### 8.2 FEATURE COLLECTION

#### 8.2.1 Road

- For curbed roadways locate face of curb at the gutter (RRCB) elevation to be taken at the top of the curb. Curves PC's plus enough shots in between to properly show curb location. Beginning and end of driveway cuts and pedestrian ramps.
- Medians and traffic islands will be collected in the same manner.

#### 8.2.2 Sidewalk

Front and back edge of sidewalk (RRSW), all walkways (RRWK) and driveways (RRDR) where they intersect the curb and sidewalk.

#### 8.2.3 Fences

Fences (STFE), guiderails (STGR), retaining Walls (STRW) and walls (STWL) - beginning, end and at any point where a change in direction occurs at ground level.

#### 8.2.4 Buildings

Locate the actual corner of the siding of corner boards with sufficient points to create a building polygon (BLDG).

#### 8.2.5 Structures

- For large concrete bases or platforms, the corners of that structure should be located, but if the base is 0.3 metres square or less, then locate the centre of the feature.

- Super mailboxes - locate as point features (midpoint of base nearest the curb).
- Bus shelters with no base pad instead they are located on sidewalks (midpoint of feature nearest the curb).

#### 8.2.6 Trees, signs, poles

Locate centre of feature on ground nearest the curb.

## 9.0 HARD COPY PLOTS

### 9.1 GENERAL

The following guidelines must be followed when producing hard copy plots for the HRM.

- Plotting Media: All plots shall be plotted on stable base (minimum) 3 mil film.
- Size of plotting media: Sheet A1 and A1+ sizes can be found in the prototype drawings. See figure DS 01 for details.

### 9.2 SCALES

Plan scales for other drawings shall be as follows:

(a) Survey plan shall be:

- (i) 1:1000
- (ii) 1:500
- (iii) 1:250
- (iv) 1:200 (where warranted for legibility reasons)
- (v) as directed by HRM.

(b) Drainage plan shall be:

- (i) 1:500
- (ii) 1:1000
- (iii) as approved by the Engineer in charge.

(c) Key plan shall be not less than 1:20,000 or greater than 1:2,500.

(d) Expropriation plan shall be:

- (i) 1:500; or
- (ii) 1:200; or

- (iii) as approved by the HRM.
- (e) Detail plan shall be to a scale that will fully illustrate the subject matter.
- (f) Other plans - as directed by the HRM Engineer in charge.

### 9.3 PLOT STYLE

HRM's plot style must be followed in order to produce standard plots. All entities must be plotted with the correct line thickness as described in the standard drawings included as appendices to this section. See figures DS 14, DS 15 (plan), and DS 17, DS 18 (profile) for line weights, placement of text, etc.

HRM uses the named plot style HRMplotstyle.stb which is found in template drawing.

The named plot styles refer to traditional pen widths for lines when plotted. For example, the plot style "width 0.15" is a thin faded line used for "HE" record layers while the plot style "width 0.53" is a bold line to highlight and make construction features prominent so is used for "HP" proposed layers for construction drawings to show proposed features.

## 10.0 GENERAL CONDITIONS

### 10.1 STREET NAMES

All streets shall be identified with their proper names and printed outside of the street right-of-way for engineering drawings and inside the street right-of-way for all survey drawings.

### 10.2 INTERSECTION IDENTIFICATION

At intersecting streets or where the continuation of the streets is on other plans, the following shall be shown on the plan:

For Continuation See Plan No. 00000000

### 10.3 PERCENT (%) GRADE

Percent (%) grades (slopes) shall be shown for all appropriate services to two decimal places.

### 10.4 REVISIONS TO PLAN

If plans are revised, amended or altered, the date and the revisers initials shall be noted in the revision area of the Title Block on both the CAD drawing and on the hard copy. The revised hard copy must be updated with the appropriate approval signature. If two plans are retained with the same drawing number (original and revised), then a note must be placed on the original indicating that another plan exists with the same number. However, only one CAD file will be retained (the revised drawing).

## 10.5 SIGNING OF PLANS

Boundary Plans used in land conveyance, expropriation, subdivision, etc., shall be stamped and/or certified by a Nova Scotia Land Surveyor (N.S.L.S.).

## 11.0 LEGAL PLANS DETAILS

See the following drawing standards figures:

- Drawing Sizes: DS 01;
- Titleblock: DS 06, DS 08, DS 09;
- Linetype: DS 18;
- Legend: DS 19;
- Lot Identifier: DS 20;
- Drawing Layers: Appendix B

## 12.0 APPENDICES

Appendix A - Layers for Design Drawings

Appendix B - Layers for Legal Drawings

Appendix C - Feature Code (FCODE) Listing

Appendix D - Drafting Standards Index

# Municipal Design Guidelines

2021

Part C: Drawing Standards

Appendix A – Layers for Design Drawings

# APPENDIX 'A'

## LAYERS FOR DESIGN DRAWINGS

### HRMTEMPLATE.DWT/HRMSUBTEMPLATE.DWT

Layer Name	Description	Linetype	Plot Style
<b>0</b>		Continuous	Width 0.20
<b>BASELINE</b>	Alignment	Centerline	Width 0.20
<b>BUILDING FROM HRM GIS</b>	Building Polygon from HRM GIS	Continuous	Width 0.65
<b>CDIRB</b>	Property Line from HRM GIS: Internal Road Boundary	CDIRB	Width 0.15
<b>CDPL</b>	Property Line from HRM GIS: Property Line	cdpl	Width 0.15
<b>CDRRAB</b>	Property Line from HRM GIS: Arbitrary Road Line	CDRRAB	Width 0.15
<b>CDRRRD</b>	Property Line from HRM GIS: Road Parcel	CDRRRD	Width 0.40
<b>CDWACO</b>	Property Line from HRM GIS: Coast Line	CDWACO	Width 0.15
<b>CORRIDORS SURFACE</b>	Corridor	Continuous	Width 0.20
<b>DEFPOINTS</b>	Definition Points	Continuous	Width 0.30
<b>DLMG</b>	Property Line from HRM GIS: Management Units	Continuous	Width 0.15
<b>FINISHED SURFACE</b>	Finished Surface	Continuous	Width 0.30
<b>GRID</b>	PROFILE: Grid Lines for Profile	Continuous	Width 0.15
<b>GSCD</b>	Natural Gas Conduit from HRM GIS	GSPI	Width 0.15
<b>GSPI</b>	Natural Gas Pipeline from HRM GIS	GSPI	Width 0.15
<b>GSTL</b>	Natural Gas Transmission Line from HRM GIS	GSTL	Width 0.20



Layer Name	Description	Linetype	Plot Style
<b>HE-BREAKLINES</b>	RECORD SURVEY: Breaklines for TIN / Back of Curb/ Centerline	Continuous	Width 0.20
<b>HE-BUILDING</b>	RECORD SURVEY: Building Line	bldg	Width 0.18
<b>HE-COMBINED</b>	RECORD SURVEY: Combined Sewer Pipe	SWPICO	Width 0.18
<b>HE-CONTOUR</b>	RECORD SURVEY: Contour Line	Continuous	Width 0.30
<b>HE-DRIVEWAY</b>	RECORD SURVEY: Driveway-Parking-Walkway Line	RRDR or RRPA or RRWK	Width 0.18
<b>HE-FENCE</b>	RECORD SURVEY: Fence Line	STFE	Width 0.15
<b>HE-GAS</b>	RECORD SURVEY: Natural Gas Pipeline	GSPI / GSTL/ GSLA/ GSPE	Width 0.15
<b>HE-HYDRO</b>	RECORD SURVEY: Pitch Lake-Stream-Coast Line	WADI/ WAOH/ WASL/ WAWM	Width 0.15
<b>HE-LABEL-ALL</b>	RECORD SURVEY: All Labels	Continuous	Width 0.20
<b>HE-OTHER</b>	RECORD SURVEY: Miscellaneous Line	Continuous	Width 0.15
<b>HE-PARCELL</b>	RECORD SURVEY: Parcel Line	CDPL	Width 0.15
<b>HE-POINTS-ALL</b>	RECORD SURVEY: All Points	Continuous	Width 0.20
<b>HE-ROAD</b>	RECORD SURVEY: Road Line	RRCB/ RRRD	Width 0.30
<b>HE-SAMPLE</b>	RECORD SURVEY: Section Line of Plan	Continuous	Width 0.20
<b>HE-SANITARY</b>	RECORD SURVEY: Sanitary Sewer Pipe	SWPISA	Width 0.15
<b>HE-SIDEWALK</b>	RECORD SURVEY: Sidewalk Line	RRSW	Width 0.20
<b>HE-SLOPES</b>	RECORD SURVEY: Slope Line	Continuous	Width 0.15
<b>HE-STORM</b>	RECORD SURVEY: Storm Sewer Pipe	SWPIST	Width 0.15

Layer Name	Description	Linetype	Plot Style
<b>HE-STREETLINE</b>	RECORD SURVEY: Edge of Right-of-Way	Continuous	Width 0.40
<b>HE-STRUCTURE</b>	RECORD SURVEY: Structure Line	Continuous	Width 0.15
<b>HE-SURFACE</b>	RECORD SURVEY: Surface for TIN Lines	Continuous	Width 0.30
<b>HE-SYMBOLS-ALL</b>	RECORD SURVEY: All Symbolized Points	Continuous	Width 0.18
<b>HE-TRAFFIC</b>	RECORD SURVEY: Traffic Line	Continuous	Width 0.15
<b>HE-TREE LINE</b>	RECORD SURVEY: Tree Line	Continuous	Width 0.15
<b>HE-UTILITY</b>	RECORD SURVEY: Utility Line	Continuous	Width 0.15
<b>HE-WATER</b>	RECORD SURVEY: Water Pipe	Continuous	Width 0.18
<b>HP-ASSEMBLY</b>	PROPOSED: Assembly Template	Continuous	Width 0.30
<b>HP-COMBINED</b>	PROPOSED: Combined Sewer Pipe	Continuous	Width 0.65
<b>HP-CORRIDOR</b>	PROPOSED: Corridor	Continuous	Width 0.30
<b>HP-CORRIDOR FLINE</b>	PROPOSED: Corridor	Continuous	Width 0.30
<b>HP-LINK</b>	PROPOSED: Assembly Link	Continuous	Width 0.30
<b>HP-ROAD</b>	PROPOSED: Road Line	Continuous	Width 0.65
<b>HP-SANITARY</b>	PROPOSED: Sanitary Sewer Pipe	Continuous	Width 0.65
<b>HP-SIDEWALK</b>	PROPOSED: Sidewalk Line	Continuous	Width 0.40
<b>HP-STORM</b>	PROPOSED: Storm Sewer Pipe	Continuous	Width 0.65
<b>HP-TABLE</b>	PROPOSED: Alignment Table	Continuous	Width 0.30
<b>HRWC-DIM-AND-TEXT</b>	HALIFAX WATER: Dimenions and Text	Continuous	Width 0.30
<b>HRWC-LOGO</b>	HALIFAX WATER: Logo Line	Continuous	Width 0.30
<b>HRWC-LOGO-TXT</b>	HALIFAX WATER: Logo Text	Continuous	Width 0.30

Layer Name	Description	Linetype	Plot Style
<b>HRWC HYDRANT FROM HRM GIS</b>	HALIFAX WATER: Hydrant from HRM GIS	Continuous	Width 0.15
<b>HRWC PIPE FROM HRM GIS</b>	HALIFAX WATER: Pipe from HRM GIS	Continuous	Width 0.18
<b>HRWC VALVE FROM HRM GIS</b>	HALIFAX WATER: Valve from HRM GIS	Continuous	Width 0.15
<b>K-ROADANNO</b>	KEYPLAN: Annotation	Continuous	Width 0.20
<b>K-STREET</b>	KEYPLAN: Street Line	Continuous	Width 0.30
<b>K-WAOC10</b>	KEYPLAN: Water Line	Continuous	Width 0.30
<b>MATCHLINE</b>	Matchline for series of Plans	Continuous	Width 0.65
<b>MISC</b>	TEMPORARY: Miscellaneous Construction Lines	Continuous	Width 0.30
<b>NATURAL GAS SERVICE LATERAL HRM GIS</b>	Natural Gas Service Lateral from HRM GIS	GSLA	Width 0.15
<b>NO PLOT</b>	No Plotting Features	Continuous	Normal
<b>POINTS TABLE</b>	Table for Points	Continuous	Width 0.30
<b>Poles</b>	Solid Hatch	Continuous	Poles
<b>RRCB</b>	Curbed Road from HRM GIS	RRCB	Width 0.30
<b>RRDR</b>	Driveway from HRM GIS	RRDR	Width 0.18
<b>RRPA</b>	Parking Area from HRM GIS	RRPA	Width 0.18
<b>RRPW</b>	Pathway from HRM GIS	RRPW	Width 0.18
<b>RRRD</b>	Edge of Asphalt from HRM GIS	RRRD	Width 0.30
<b>RRRR</b>	Railroad from HRM GIS	RRRR	Width 0.20
<b>RRSW</b>	Sidewalk from HRM GIS	RRSW	Width 0.20
<b>RRTR</b>	Trail from HRM GIS	RRTR	Width 0.15

Layer Name	Description	Linetype	Plot Style
<b>RRWK</b>	Hard Surface Walkway from HRM GIS	RRWK	Width 0.18
<b>SCHEMATIC SEWER FROM HRM GIS</b>	Schematic Sewer from HRM GIS	Continuous	Width 0.15
<b>SEWER INLET FROM HRM GIS</b>	Sewer Inlet-Catchbasin from HRM GIS	Continuous	Width 0.15
<b>SEWER MANHOLE FROM HRM GIS</b>	Sewer Manhole from HRM GIS	Continuous	Width 0.15
<b>SHADE</b>	Solid Hatch for Pave	Continuous	Shade
<b>SHEET</b>	Sheet	Continuous	Width 0.8
<b>STFE</b>	Fence Line from HRM GIS	STFE	Width 0.15
<b>STGR</b>	Guiderail Line from HRM GIS	STGR	Width 0.15
<b>STREET CENTRELINE FROM HRM GIS</b>	Key Plan Street Name		Width 0.20
<b>STREET FROM HRM G/S</b>	Key Plan Street Line		Width 0.30
<b>STRW</b>	Retaining Wall from HRM GIS	STRW	Width 0.15
<b>STWL</b>	Wall from HRM GIS	STWL	Width 0.15
<b>SWFMAB</b>	Abandoned Sewer Forcemain from HRM GIS	SWFMAB	Width 0.15
<b>SWFMCO</b>	Combined Sewer Forcemain from HRM GIS	SWFMAB	Width 0.15
<b>SWFMSA</b>	Sanitary Sewer Forcemain from HRM GIS	SWFMSA	Width 0.15
<b>SWFMST</b>	Storm Sewer Forcemain from HRM GIS	SWFMST	Width 0.15
<b>SWLACO</b>	Combined Sewer Lateral from HRM GIS	SWLACO	Width 0.15

Layer Name	Description	Linetype	Plot Style
<b>SWLASA</b>	Sanitary Sewer Lateral from HRM GIS	SWLASA	Width 0.15
<b>SWLAST</b>	Storm Sewer Lateral from HRM GIS	SWLAST	Width 0.15
<b>SWPICL</b>	Catchbasin Lead from HRM GIS	SWPICL	Width 0.15
<b>SWPICO</b>	Combined Sewer Pipe from HRM GIS	SWPICO	Width 0.15
<b>SWPICOTK</b>	Combined Trunk Sewer Pipe from HRM GIS	SWPICOTK	Width 0.15
<b>SWPISA</b>	Sanitary Sewer Pipe from HRM GIS	SWPISA	Width 0.15
<b>SWPISATK</b>	Sanitary Trunk Sewer Pipe from HRM GIS	SWPISATK	Width 0.15
<b>SWPIST</b>	Storm Sewer Pipe from HRM GIS	SWPIST	Width 0.15
<b>SWPIUK</b>	Unknown Sewer Pipe from HRM GIS	SWPIUK	Width 0.15
<b>TREE FROM HRM GIS</b>	Tree Point from HRM GIS	Continuous	Width 0.15
<b>TREE LINE FROM HRM GIS</b>	Tree Line from HRM GIS	Continuous	Width 0.15
<b>UTFO</b>	Fibre Optic Line from HRM GIS	UTFO	Width 0.15
<b>UTILITY POINT FROM HRM GIS</b>	Utility Point Features from HRM GIS	Continuous	Width 0.15
<b>UTPI</b>	Pipeline from HRM GIS	UTPI	Width 0.15
<b>UTSS</b>	Utility Substation Line from HRM GIS	UTSS	Width 0.15
<b>UTTK</b>	Utility Tank Line from HRM GIS	UTTK	Width 0.15
<b>UTTR</b>	Utility Transmission Line from HRM GIS	UTTR	Width 0.15
<b>UTWT</b>	Utility Water Tank Line from HRM GIS	UTWT	Width 0.15

Layer Name	Description	Linetype	Plot Style
<b>VE-COMBINED</b>	PROFILE-EXISTING: Combined Sewer Pipe	Continuous	Width 0.30
<b>VE-PROFILE</b>	PROFILE-EXISTING: Ground	Continuous	Width 0.30
<b>VE-SANITARY</b>	PROFILE-EXISTING: Sanitary Sewer Pipe	Continuous	Width 0.30
<b>VE-SECTION</b>	CROSS SECTION-EXISTING: Section View	Continuous	Width 0.30
<b>VE-SECTION-DATA</b>	CROSS SECTION-EXISTING: Ground Line	Continuous	Width 0.30
<b>VE-SECTION-PIPE</b>	CROSS SECTION-EXISTING: Pipe	Continuous	Width 0.30
<b>VE-STORM</b>	PROFILE-EXISTING: Storm Sewer Pipe	Continuous	Width 0.30
<b>VE-WATER</b>	PROFILE-EXISTING: Water Pipe	waterprof	Width 0.30
<b>VIEW</b>	MODEL VIEW: Polyline for Window	Continuous	Width 0.15
<b>VP-COMBINED</b>	PROFILE-PROPOSED: Combined Sewer Pipe	Continuous	Width 0.53
<b>VP-PROFILE</b>	PROFILE-PROPOSED: Ground	Continuous	Width 0.53
<b>VP-SANITARY</b>	PROFILE-PROPOSED: Sanitary Sewer Pipe	Continuous	Width 0.53
<b>VP-SECTION-DATA</b>	CROSS SECTION-PROPOSED: Section Ground Line	Continuous	Width 0.53
<b>VP-STORM</b>	PROFILE-PROPOSED: Storm Sewer Pipe	Continuous	Width 0.53
<b>WIDTH 0.15</b>	MISCELLANEOUS TEXT-LINE: Plot @ Line Weight 0.15 NOT RECORD	Continuous	Width 0.15
<b>WIDTH 0.2</b>	MISCELLANEOUS TEXT-LINE: Plot @ Line Weight 0.2 NOT RECORD	Continuous	Width 0.20
<b>WIDTH 0.3</b>	MISCELLANEOUS TEXT-LINE: Plot @ Line Weight 0.3 NOT RECORD	Continuous	Width 0.30

Layer Name	Description	Linetype	Plot Style
<b>WIDTH 0.4</b>	MISCELLANEOUS TEXT-LINE: Plot @ Line Weight 0.4 NOT RECORD	Continuous	Width 0.40
<b>WIDTH 0.8</b>	MISCELLANEOUS TEXT-LINE: Plot @ Line Weight 0.8 NOT RECORD	Continuous	Width 0.80
<b>WIDTH 0.53</b>	MISCELLANEOUS TEXT-LINE: Plot @ Line Weight 0.53 NOT RECORD	Continuous	Width 0.53
<b>WIDTH 0.65</b>	MISCELLANEOUS TEXT-LINE: Plot @ Line Weight 0.65 NOT RECORD	Continuous	Width 0.65
<b>WIDTH 1.06</b>	MISCELLANEOUS TEXT-LINE: Plot @ Line Weight 1.06 NOT RECORD	Continuous	Width 1.06
<b>WIDTH 1.4</b>	MISCELLANEOUS TEXT-LINE: Plot @ Line Weight 1.4 NOT RECORD	Continuous	Width 1.4

# Municipal Design Guidelines

2021

Part C: Drawing Standards

Appendix B – Layers for Legal Drawings



## APPENDIX 'B'

### LAYERS FOR LEGAL DRAWINGS HRMLEGALTEMPLATE.DWT

Layer	Description	Linetype	Plot Style
<b>0</b>	Miscellaneous	Continuous	Width 0.20
<b>CALCP</b>	Calculated Points	Continuous	Width 0.20
<b>HE-BUILDING</b>	Lines from Survey: Building	Continuous	Width 0.20
<b>HE-DRIVEWAY</b>	Lines from Survey: Driveway/Parking/Walkway Line	RRDR/RRPA/ RRWK	Width 0.20
<b>HE-FENCE</b>	Lines from Survey: Fence	STFE	Width 0.20
<b>HE-GAS</b>	Lines from Survey: Gas	GSPI	Width 0.20
<b>HE-HYDRO</b>	Lines from Survey: Stream/Lake/Coast	WADI/WAOH/ WASL/WAWM	Width 0.20
<b>HE-OTHER</b>	Lines from Survey: Miscellaneous Line	Continuous	Width 0.20
<b>HE-PARCEL</b>	Lines from Survey: Adjoining Parcels	Continuous	Width 0.25
<b>HE-POINTS-ALL</b>	All Points from Survey	Continuous	Width 0.20
<b>HE-ROAD</b>	Lines from Survey: Curb & Sidewalk	Continuous	Width 0.20
<b>HE-RRRR</b>	Lines from Survey: Railway Lines	RRRR	Width 0.20
<b>HE-STRUCTURE</b>	Lines from Survey: Structure Line	Continuous	Width 0.20
<b>HE-SURVEY</b>	Boundaries dealt with by this survey.	Continuous	Width 0.80
<b>HE-SYMBOLS-ALL</b>	All Symbolized Points from Survey	Continuous	Width 0.20
<b>HE-TRAFFIC</b>	Lines from Survey: Traffic Lights, Lines & Signs	Continuous	Width 0.20
<b>HE-TREE LINE</b>	Lines from Survey: Tree, Hedge, Tree Line	Cont./LCHG	Width 0.20
<b>HE-UTILITY</b>	Lines from Survey: Pole & other Utility features	Continuous	Width 0.20

<b>HE-WATER</b>	Lines from Survey: Valve, Hydrant, Pipe, etc.	Continuous	Width 0.20
<b>NO PLOT</b>	No Plotting Features	Continuous	Normal
<b>SHADE</b>	Shading using Solid	Continuous	Shade
<b>SHEET</b>	Sheet	Continuous	Width 0.80
<b>SURVEYP</b>	Survey Points from Survey: Evidence, Monumentation & Control Points	Continuous	Width 0.30
<b>VIEW</b>	Polyline for Viewport	Continuous	Width 0.15
<b>WIDTH 0.2</b>	Miscellaneous text-line: Plot @ Line Weight 0.2	Continuous	Width 0.20
<b>WIDTH 0.3</b>	Miscellaneous text-line: Plot @ Line Weight 0.3	Continuous	Width 0.30
<b>WIDTH 0.4</b>	Miscellaneous text-line: Plot @ Line Weight 0.4	Continuous	Width 0.40
<b>WIDTH 0.53</b>	Miscellaneous text-line: Plot @ Line Weight 0.53	Continuous	Width 0.53
<b>WIDTH 0.65</b>	Miscellaneous text-line: Plot @ Line Weight 0.65	Continuous	Width 0.65
<b>WIDTH 0.8</b>	Miscellaneous text-line: Plot @ Line Weight 0.8	Continuous	Width 0.80
<b>WIDTH 1.06</b>	Miscellaneous text-line: Plot @ Line Weight 1.06	Continuous	Width 1.06
<b>WIDTH 1.4</b>	Miscellaneous text-line: Plot @ Line Weight 1.4	Continuous	Width 1.4

# Municipal Design Guidelines

2021

Part C: Drawing Standards

Appendix C – Feature Code (FCODE) Listing




# APPENDIX 'C'




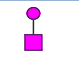











## FEATURE CODE (FCODE) LISTING






FCODE	DESCRIPTION	Symbol Type	Symbol	DWG Layer - RECORD SURVEY	DWG Layer - Extracted from HRM GIS
<b>ROAD</b>					
RRCB	Curbed Road	Linetype / Linear	rrcb, _____	HE-ROAD	RRCB
RRCB-A	Curb Top Back-Asphalt	Linetype / Linear	rrcb-a, _____	HE-BREAKLINES	RRCB
RRCB-C	Curb Top Back - Concrete	Linetype / Linear	rrcb-c, _____	HE-BREAKLINES	RRCB
RRCC	Driveway Cut	Point / Block Reference	X	HE-POINTS-ALL	N/A
RRCL	Centreline	Linetype / Linear	RRCL, _____	HE-BREAKLINES	RRCL
RRDR	Driveway	Linetype / Linear	rrdr, _____	HE-DRIVEWAY	RRDR
RRDR-A	Driveway - Asphalt	Linetype / Linear	RRDR-A, _____	HE-DRIVEWAY	RRDR
RRDR-B	Driveway - Brick	Linetype / Linear	RRDR-B, _____	HE-DRIVEWAY	RRDR
RRDR-C	Driveway - Concrete	Linetype / Linear	RRDR-C, _____	HE-DRIVEWAY	RRDR
RRDR-G	Driveway - Gravel	Linetype / Linear	RRDR-G, - - - - -	HE-DRIVEWAY	RRDR
RRGT-A	Gutter-Asphalt	Linetype / Linear	rrcb-a, _____	HE-ROAD	RRCB
RRGT-C	Gutter-Concrete	Linetype / Linear	rrcb-c, _____	HE-ROAD	RRCB
RRJB	Jersey Barrier	Linetype / Linear	RRJB, _____	HE-ROAD	RRJB
RRPA-A	Parking Area - Asphalt	Linetype / Linear	rrpa-a, _____	HE-DRIVEWAY	RRPA
RRPA-C	Parking Area-Concrete	Linetype / Linear	rrpa, _____	HE-DRIVEWAY	RRPA
RRPA-G	Parking Area - Gravel	Linetype / Linear	rrpa-g, _____	HE-DRIVEWAY	RRPA
RRPW	Pathway	Linetype / Linear	rrpw, _____	HE-DRIVEWAY	RRPW
RRRD	Edge of Road (no curb)	Linetype / Linear	rrrd, _____	HE-ROAD	RRRD
RRRD-A	Edge of Road - Asphalt (no curb)	Linetype / Linear	rrrd-a, _____	HE-ROAD	RRRD
RRRD-G	Edge of Road - Gravel (no curb)	Linetype / Linear	rrrd-g, _____	HE-ROAD	RRRD
RRRR	Railroad	Linetype / Linear	RRRR, _____	HE-OTHER	RRRR
RRRRSW	Railroad Switch	Point / Block Reference	X	HE-POINTS-ALL	N/A
RRSH-G	Shoulder - Gravel	Linetype / Linear	RRSH-G, - - - - -	HE-ROAD	N/A
RRSW	Sidewalk	Linetype / Linear	rrsw, _____	HE-SIDEWALK	RRSW
RRSW-A	Sidewalk - Asphalt	Linetype / Linear	rrsw-a, _____	HE-SIDEWALK	RRSW
RRSW-B	Sidewalk - Brick	Linetype / Linear	rrsw-b, _____	HE-SIDEWALK	RRSW
RRSW-C	Sidewalk - Concrete	Linetype / Linear	rrsw-c, _____	HE-SIDEWALK	RRSW
RRWK	Walkway	Linetype / Linear	rrwk, _____	HE-DRIVEWAY	RRWK
RRWK-A	Walkway - Asphalt	Linetype / Linear	rrwk-a, _____	HE-DRIVEWAY	RRWK
RRWK-B	Walkway - Brick	Linetype / Linear	rrwk-b, _____	HE-DRIVEWAY	RRWK
RRWK-C	Walkway - Concrete	Linetype / Linear	rrwk-c, _____	HE-DRIVEWAY	RRWK
RRWK-G	Walkway - Gravel	Linetype / Linear	rrwk-g, - - - - -	HE-DRIVEWAY	RRWK

FENCE					
STFE	Fence	Linetype / Linear	stfe,---- X ---- X ----	HE-FENCE	STFE
STFE-CH	Fence - Chainlink	Linetype / Linear	stfe-ch,---- X ---- X ----	HE-FENCE	STFE
STFE-WR	Fence - Wire	Linetype / Linear	stfe-wr,---- X ---- X ----	HE-FENCE	STFE
STFE-WD	Fence - Wood	Linetype / Linear	stfe-wd,---- X ---- X ----	HE-FENCE	STFE
STGR	Guiderail	Linetype / Linear	STGR,---- GR ---- GR -	HE-FENCE	STFE
STGT	Fence - Gate	Linetype / Linear	STGT, _____	HE-FENCE	STFE
STPT	Fence - Post	Point / Block Reference	X	HE-POINTS-ALL	STPT
STWL	Wall	Linetype / Linear	stwl,---- W ---- W ----	HE-FENCE	STWL












STRUCTURE					
STBB	Billboard	Linetype / Linear	STBB, _____	HE-STRUCTURE	Structure Line from HRM GIS
STBL	Bleachers	Linetype / Linear	STBL, _____	HE-STRUCTURE	Structure Line from HRM GIS
STCO	Column\Pillar	Linetype / Linear	STCO, _____	HE-STRUCTURE	Structure Line from HRM GIS
STDK	Deck	Linetype / Linear	STDK, _____	HE-STRUCTURE	Structure Line from HRM GIS
STFL	Fountain	Linetype / Linear	STFL, _____	HE-STRUCTURE	Structure Line from HRM GIS
STGP	Guard Post/Bollard	Point / Block Reference	X	HE-POINTS-ALL	STGP
STGT	Gate	Linetype / Linear	STGT, _____	HE-STRUCTURE	Structure Line from HRM GIS
STHW	Concrete Headwall	Point / Block Reference	 SHW	HE-STRUCTURE	Collection System Headwall from HRM GIS
STHW	Concrete Headwall	Linetype / Linear	STHW, --- HW--- HW--	HE-STRUCTURE	Structure Line from HRM GIS
STMB	Community Mailbox	Linetype / Linear	STMB, _____	HE-STRUCTURE	Structure Line from HRM GIS
STMO	Monument/Statue	Linetype / Linear	STMO, _____	HE-STRUCTURE	Structure Line from HRM GIS
STN	Stone/Rock	Linetype / Linear	STN, _____	HE-STRUCTURE	Structure Line from HRM GIS
STPR	Pier (bridge support)	Linetype / Linear	STPR, _____	HE-STRUCTURE	Structure Line from HRM GIS
STRW	Retaining Wall	Linetype / Linear	strw,---- RW ---- RW ---	HE-STRUCTURE	STRW
STRW-C	Retaining Wall - Concrete	Linetype / Linear	strw-c,---- RW ---- RW -	HE-STRUCTURE	STRW
STRW-B	Retaining Wall - Brick	Linetype / Linear	strw-b,---- RW ---- RW -	HE-STRUCTURE	STRW
STRW-G	Retaining Wall - Gabion	Linetype / Linear	STRW-G--- RW --- RW	HE-STRUCTURE	STRW
STRW-WD	Retaining Wall - Wood	Linetype / Linear	STRW-WD,--- RW-- RW	HE-STRUCTURE	STRW
STRW-R	Retaining Wall - Rock	Linetype / Linear	STRW-R--- RW --- RW	HE-STRUCTURE	STRW





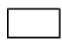





STSB	Concrete Slab	Linetype / Linear	STSB, _____	HE-STRUCTURE	Structure Line from HRM GIS
STST	Steps	Linetype / Linear	STST, _____	HE-STRUCTURE	Structure Line from HRM GIS
STST-C	Steps - Concrete	Linetype / Linear	STST-C, _____	HE-STRUCTURE	Structure Line from HRM GIS
STST-WD	Steps - Wood	Linetype / Linear	STST-WD, _____	HE-STRUCTURE	Structure Line from HRM GIS
STWH	Wharf	Linetype / Linear	STWH, _____	HE-STRUCTURE	Structure Line from HRM GIS
STUN	Unknown Structure	Linetype / Linear	STUN, _____	HE-STRUCTURE	Structure Line from HRM GIS
TWSI	Tactile Walking Surface Indicator	Point / Block Reference	 TWSI	HE-SYMBOLS-ALL	T.W.S.I. from HRM GIS
<b>VEGETATION</b>					
LCSA	Shrub Area	Linetype / Linear	LCSA, _____	HE-TREE LINE	Tree Line from HRM GIS
LCSA	Shrub	Point / Block Reference	 SHRUB	HE-SYMBOLS-ALL	N/A
LCCG	Cultivated Garden	Linetype / Linear	LCCG, _____	HE-TREE LINE	Tree Line from HRM GIS
LCHG	Hedge	Linetype / Linear	lchg, ---- H ---- H ----	HE-TREE LINE	Tree Line from HRM GIS
LCGR	Edge of Grass	Linetype / Linear	LCGR, _____	HE-TREE LINE	Tree Line from HRM GIS
LCPL	Planter	Linetype / Linear	LCPL, _____	HE-STRUCTURE	Tree Line from HRM GIS
LCTR	Tree Line Breakline	Linetype / Linear	LCTR, _____	HE-TREE LINE	Tree Line from HRM GIS
LCTS	Tree	Point / Block Reference	 LCTL	HE-SYMBOLS-ALL	Tree from HRM GIS
LCTS	Tree Line	Linetype / Linear	LCTR, _____	HE-TREE LINE	Tree Line from HRM GIS
<b>TRAFFIC</b>					
BKS	Bike Lane Symbol	Point / Block Reference	 BKS	HE-SYMBOLS-ALL	N/A
BUS	Bus Lane Symbol	Point / Block Reference	 TFMKRL	HE-SYMBOLS-ALL	N/A
TFCDL	U/G Street Light Conduit	Linetype / Linear	TFCDL, ---SL --- SL ---	HE-TRAFFIC	N/A
TFBS	Bus Shelter	Linetype / Linear	trbssh, _____	HE-TRAFFIC	Bus Shelter from HRM GIS
TFBT	Bus Stop	Point / Block Reference	 BUS	HE-SYMBOLS-ALL	Bus Stop from HRM GIS
TFCDTL	U/G Traffic Light Conduit	Linetype / Linear	tfcdtl, ----TL ----TL ----	HE-TRAFFIC	N/A
TFCDFA	U/G Fire Alarm Conduit	Linetype / Linear	tfcdfa, ----FA ----FA ----	HE-TRAFFIC	N/A
TFDL	Detector Loop	Linetype / Linear	TFDL, _____	HE-TRAFFIC	N/A
TFMKAC	Advanced Cross Walk	Point / Block Reference	 TFTL	HE-SYMBOLS-ALL	N/A
TFMKCW	Cross Walk	Linetype / Linear	tfmkcw, _____	HE-TRAFFIC	N/A
TFMKCL	Center Line Pavement Marking	Linetype / Linear	tfmkcl, _____	HE-TRAFFIC	N/A
TFMKCM	Channel Marking	Linetype / Linear	tfmkcm, _____	HE-TRAFFIC	N/A

TFMKSB	Stop Bar	Linetype / Linear	tfmksb, _____	HE-TRAFFIC	N/A
TFMKMM	Parking Meter Lines	Linetype / Linear	tfmkmm, _____	HE-TRAFFIC	N/A
TFMKDL	Dashed Line	Linetype / Linear	tfmkdl, _____	HE-TRAFFIC	N/A
TFMKDY	Double Yellow Line	Linetype / Linear	tfmkdy, _____	HE-TRAFFIC	N/A
TFMKSY	Single Yellow Line	Linetype / Linear	tfmkdy, _____	HE-TRAFFIC	N/A
TFMKWS	Single White Line	Linetype / Linear	tfmksw, _____	HE-TRAFFIC	N/A
TFJB	Traffic Loop Junction Box	Point / Block Reference	 JB TFJB	HE-SYMBOLS-ALL	N/A
TFPM	Parking Pay Station	Point / Block Reference	 PM TFPM	HE-SYMBOLS-ALL	TFPM
TFCB	Traffic Cabinet or Controller Box	Point / Block Reference	 TFCB	HE-SYMBOLS-ALL	N/A
TFSL	Street Light Standard	Point / Block Reference	 TFSL	HE-SYMBOLS-ALL	Streetlights from HRM GIS
TFSLOR	Ornamental Street Light Standard	Point / Block Reference	 TFSLOR	HE-SYMBOLS-ALL	N/A
TFSP	Sign -Multiple Posts	Linetype / Linear	TFSP, _____	HE-TRAFFIC	N/A
TFSP	Sign Post	Point / Block Reference	 TFSP	HE-SYMBOLS-ALL	TFSP
TFAR3T	Pavement Marking - 3 turn arrow	Point / Block Reference	 TFMKAR3T	HE-SYMBOLS-ALL	N/A
TFMARRL	Pavement Marking - right/left arrow	Point / Block Reference	 TFMKARRLT	HE-SYMBOLS-ALL	N/A
TFMARLT	Pavement Marking - left turn only	Point / Block Reference	 TFMKARLT	HE-SYMBOLS-ALL	N/A
TFARRT	Pavement Marking - right turn only	Point / Block Reference	 TFMKARRT	HE-SYMBOLS-ALL	N/A
TFARST	Pavement Marking - straight only	Point / Block Reference	 TFMKARST	HE-SYMBOLS-ALL	N/A
TFARTR	Pavement Marking - straight/right turn	Point / Block Reference	 TFMKARTR	HE-SYMBOLS-ALL	N/A
TFARTL	Pavement Marking - straight/left turn	Point / Block Reference	 TFMKARTL	HE-SYMBOLS-ALL	N/A
TFTL	Traffic Light Standard	Point / Block Reference	 TFTL	HE-SYMBOLS-ALL	Traffic Pole from HRM GIS
<b>UTILITY</b>					
UTGW	Guy Wire	Linetype / Linear	UTGW, _____	HE-UTILITY	N/A
UTGW	Guy Wire Anchor	Point / Block Reference	 UTGW	HE-SYMBOLS-ALL	N/A
UTCDDL	U/G Communication Conduit	Linetype / Linear	UTCDDL,----TD ---- TD	HE-UTILITY	N/A
UTCDPW	U/G Electrical Conduit	Linetype / Linear	UTCDPW,----ET ---- ET	HE-UTILITY	N/A
UTOH	Overhead Wires	Linetype / Linear	UTOH, ___ . ___ .	HE-UTILITY	UTTR
UTTK	Tank (oil, propane, etc.)	Linetype / Linear	UTTK, _____	HE-UTILITY	UTTK

UTTR	Telephone Pedestal	Linetype / Linear	UTTR, _____	HE-UTILITY	UTTR
UTTB	Telephone Booth	Linetype / Linear	UTTB, _____	HE-UTILITY	UTTB
UTJB	Junction Box	Linetype / Linear	UTJB, _____	HE-UTILITY	UTJB
UTMHPW	NS Power Manhole or Junction Box	Point / Block Reference	 UTMHPW	HE-SYMBOLS-ALL	Utility Point from HRM GIS
UTPO	Utility Pole	Point / Block Reference	 UTPO	HE-SYMBOLS-ALL	Utility Point from HRM GIS
UTFO	Fibre Optic Line	Linetype / Linear	UTFO, -----	HE-OTHER	UTFO
UTMHTL	Aliant Manhole	Point / Block Reference	 UTMHTL	HE-SYMBOLS-ALL	N/A
<b>GAS</b>					
GSPI	Gas Line	Linetype / Linear	GSPI, —G—G—	HE-GAS	GSPI
GSLA	Gas Lateral	Linetype / Linear	GSLA, _____	HE-GAS	GSLA
GSMT	Gas Meter	Point / Block Reference	X	HE-SYMBOLS-ALL	GSMT
GSMH	Gas Manhole	Point / Block Reference	 GSMH	HE-SYMBOLS-ALL	N/A
GSTEE	Gas Tee	Point / Block Reference	X	HE-SYMBOLS-ALL	N/A
GSVL	Gas Valve	Point / Block Reference	 GSVL	HE-SYMBOLS-ALL	Natural Gas Valves from HRM GIS
<b>SLOPE</b>					
LFBL	Miscellaneous Breakline	Linetype / Linear	LFBL, _____	HE-BREAKLINES	N/A
LFTS	Top of Slope	Linetype / Linear	LFTS, _____	HE-SLOPES	N/A
LFBS	Bottom of Slope	Linetype / Linear	LFBS, _____	HE-SLOPES	N/A
LFSH	Spot Elevation	Point / Block Reference	X	HE-POINTS-ALL	N/A
LFFE	Finish Floor Elevation	Point / Block Reference	X	HE-POINTS-ALL	N/A
STRW-TOP	Top of Retaining Wall	Linetype / Linear	STRW, _____	HE-BREAKLINES	N/A
STRW-BOTTOM	Bottom of Retaining Wall	Linetype / Linear	STRW, _____	HE-BREAKLINES	N/A
<b>BUILDING</b>					
BLDG	Building – No Elevation	Linetype / Linear	bldg, _____	HE-BUILDING	Building Polygon from HRM GIS
BLDGOT	Building - Other	Linetype / Linear	bldg, _____	HE-BUILDING	Building Polygon from HRM GIS
BLDG-B	Building - Brick	Linetype / Linear	BLDG-B, _____	HE-BUILDING	Building Polygon from HRM GIS
BLDG-DR	Building – Door Sill	Point / Block Reference	X	HE-POINTS-ALL	N/A
BLDG-FD	Building - Foundation	Linetype / Linear	BLDG-FD, _____	HE-BUILDING	Building Polygon from HRM GIS
BLDG-SD	Building - Siding	Linetype / Linear	BLDG-SD, _____	HE-BUILDING	Building Polygon from HRM GIS
BLDG-SH	Building - Shingles	Linetype / Linear	BLDG-SH, _____	HE-BUILDING	Building Polygon from HRM GIS



BLDG-WS	Building – Window Sill	Point / Block Reference	X	HE-POINTS-ALL	N/A
<b>RECREATION</b>					
DAPG	Playground	Linetype / Linear	DAPG, _____	HE-OTHER	Recreation Area from HRM GIS
<b>HYDRO</b>					
WADI	Ditch	Linetype / Linear	WADI, _____ - - -	HE-HYDRO	Ditch from HRM GIS
WAOH	Ordinary High Watermark	Linetype / Linear	WAOH, _____	HE-HYDRO	N/A
WASL	Shore Line	Linetype / Linear	WASL, _____	HE-HYDRO	Lake from HRM GIS
WAST	Edge of Stream or Brook	Linetype / Linear	WAST, _____	HE-HYDRO	N/A
<b>SURVEY</b>					
CALC	Calculated Point	Point / Block Reference	X	HE-POINTS-ALL	N/A
NSCM	NS Coordinate Monument	Point / Block Reference	 MNNSCM	HE-SYMBOLS-ALL	Survey Monument from HRM GIS
RRST	Streetline Tie	Point / Block Reference	X	HE-POINTS-ALL	N/A
SVAI	Angle Iron	Point / Block Reference	O	HE-SYMBOLS-ALL	N/A
SVBT	Blazed Tree	Point / Block Reference	X	HE-POINTS-ALL	N/A
SVCC	Cut Cross	Point / Block Reference	 XCIR	HE-SYMBOLS-ALL	N/A
SVCNCM	Concrete Monument	Point / Block Reference	 MNNSCM	HE-SYMBOLS-ALL	N/A
SVDH	Drill Hole	Point / Block Reference	 SVDH	HE-SYMBOLS-ALL	N/A
SVIB	Iron Bar	Point / Block Reference	 SVIB	HE-SYMBOLS-ALL	N/A
SVIP	Iron Pipe	Point / Block Reference	 SVIP	HE-SYMBOLS-ALL	N/A
SVNL	Nail in Disk	Point / Block Reference	 SVNL	HE-SYMBOLS-ALL	N/A
SVPS	Stone Pile	Point / Block Reference	X	HE-POINTS-ALL	N/A
SVRP	Rock Post	Point / Block Reference	 SVRP	HE-SYMBOLS-ALL	N/A
SVRS	Railway Spike	Point / Block Reference	 SVRR	HE-SYMBOLS-ALL	N/A
SVSK	Survey Spike	Point / Block Reference	 SVSK	HE-SYMBOLS-ALL	N/A
SVSM	Survey Marker	Point / Block Reference	 SVSM	HE-SYMBOLS-ALL	N/A
SVWP	Wood Post	Point / Block Reference	X	HE-POINTS-ALL	N/A
<b>WATER</b>					
WAWL	Water Well	Point / Block Reference	X	HE-POINTS-ALL	N/A
WCCHMH	Halifax Water Manhole	Point / Block Reference	 WCCHMH	HE-SYMBOLS-ALL	HRWC Manhole from HRM GIS

WCHY	HRWC Fire Hydrant	Point / Block Reference		WCHY	HE-SYMBOLS-ALL	HRWC Hydrant from HRM GIS
WCMW	Monitor Well	Point / Block Reference		MWELL	HE-SYMBOLS-ALL	HRWC MW from HRM GIS
WCVL	HRWC Water Valve	Point / Block Reference		WCVL	HE-SYMBOLS-ALL	HRWC Valve from HRM GIS
WCWM	Underground Water Pipe	Linetype / Linear	WCWM, _____		HE-WATER	HRWC PIPE FROM HRM GIS
CNLM	Limits of Construction	Point / Block Reference		CNLM	HE-SYMBOLS-ALL	N/A
<b>SEWER/STORM</b>						
SWCB	Catch Basin	Point / Block Reference		SWCB	HE-SYMBOLS-ALL	Collection System Catchbasin from HRM GIS
SWCU	Culvert	Point / Block Reference		SWCU	HE-SYMBOLS-ALL	N/A
SWCU	Underground Storm Pipe	Linetype / Linear	swcu, _____		HE-STORM	SWCU
SWIN	Culvert Inlet	Point / Block Reference		SWCU	HE-SYMBOLS-ALL	N/A
SWMH	Manhole	Point / Block Reference		SWMHT	HE-SYMBOLS-ALL	Collection System Manhole from HRM GIS
SWOF	Culvert Outfall	Point / Block Reference		SWCU	HE-SYMBOLS-ALL	HWADM_ HWCS_ OUTFALL
SWPI	Underground Sewer Pipe	Linetype / Linear	swpisa, _____		HE-SEWER	SWPISA
SWPI-PVC	PVC Pipe	Linetype / Linear	SWPIPVC, _____		HE-SEWER	SWPISA
SWPI-VENT	Vent Pipe	Linetype / Linear	SWPIVP, _____		HE-SEWER	N/A
SWPS	Pump Station	Point / Block Reference		SWPS	HE-SYMBOLS-ALL	Collection System Pumping Station from HRM GIS

# Municipal Design Guidelines

2021

Part C: Drawing Standards

Appendix D: Drafting Standards



**HALIFAX**

## Part C – Appendix D: Drafting Standards

### Contents

DS 01	Standard Drawings Sizes
DS 02	Drawing Sheets Format for Sizes and Layout
DS 03	Folding of Paper Prints
DS 04	Title Block – Type 1 Showing Block Dimensions
DS 05	Title Block – Type 1 Showing Layer, Height and Style
DS 06	Title Block Legal Plans Showing Block Dimensions
DS 07	Title Block for Developers Used For Subdivisions Showing Layer, Height and Style
DS 08	Title Block Legal Plans Showing Text Heights
DS 09	Title Block Legal Plans Showing Block Dimensions
DS 10	Standard Drawings Symbols Plan
DS 11	Standard Drawings Symbols Plan
DS 12	Control Tables (Showing Information for Project Layout)
DS 13.1	Pavement Marking Table (Paint)
DS 13.2	Pavement Marking Table (Thermoplastic)
DS 14	Plan Hatching Layers and Linetypes
DS 15	Plan Text Sizes, Layers, and Linetypes
DS 16	<i>Retired Detail</i>
DS 17	Profile Text Sizes, Layers and Linetypes
DS 18	Profile Text Sizes, Layers and Linetypes
DS 19	Linetypes for Legal Drawings
DS 20	Legend for Legal Drawings
DS 21	Lot Identifiers & Text Sizes for Legal Drawings
DS 22	Legend for Typical Plan & Profile
DS 23	Legend for Typical Record Drawing
DS 24	Notes for Typical Plan & Profile



## ENGINEERING DRAWING STANDARDS

### — DRAWING SIZES —

#### STANDARD DRAWING SIZES BASIS FOR SIZES

METRIC DRAWING SIZES ARE BASED ON THE A0 SIZE, HAVING AN AREA OF ONE SQUARE METRE, AND A LENGTH-TO-WIDTH RATIO OF ONE TO ROOT TWO. EACH SMALLER SIZE HAS AN AREA OF ONE HALF OF THE PRECEDING SIZE, AND THE LENGTH-TO-WIDTH RATIO REMAINS CONSTANT.

INSIDE BORDER: THE INSIDE BORDER ENCLOSES THE WORKING AREA, INCLUDING THE TITLE BLOCK AND OTHER TABLES.

TRIMMED SIZE: TRIMMED SIZE IS THE NOMINAL SIZE OF THE DRAWING WHICH INCLUDES A MARGIN OUTSIDE THE BORDER, AND IS THE SIZE TO WHICH THE FINISHED PRINTS ARE TRIMMED.

LAYOUT NAME	DRAWING SIZE	MILLIMETRES			
		TRIMMED SIZE		INSIDE BORDER	
		Y	V	X	W
	A3*	297	420	277	400
	A2*	420	594	400	574
	A0*	841	1189	821	1169
A1	A1	594	841	574	821
A1+	A1+	594	1189	574	1169

\* FOR LEGAL PLANS

NOTE:

WHEN DRAWINGS LARGER THAN A0 ARE REQUIRED, THE DRAWINGS SHALL HAVE A WIDTH (Y) OF 841 mm AND A LENGTH IN INCREMENTS OF 210 mm

NOTE:

ALL ENGINEERING DESIGN DRAWINGS ARE TO BE CREATED USING A-1 SIZE SHEET. STANDARD DRAWING SIZES ARE INCLUDED IN HRMTEMPLATE.dwt.

# HALIFAX

## DRAWING STANDARDS

### STANDARD DRAWING SIZES

DATE:	2021	REFERENCE	APPROVED
SCALE:	NTS		FIG No.: <b>DS 01</b>

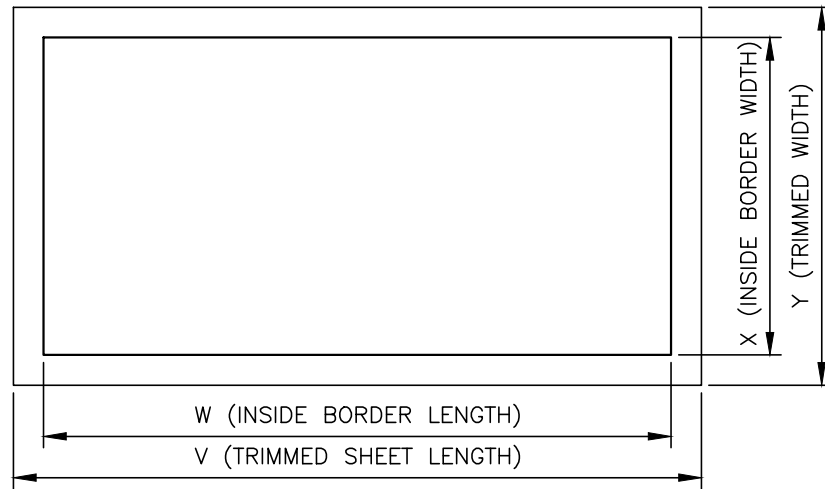


FIGURE 1

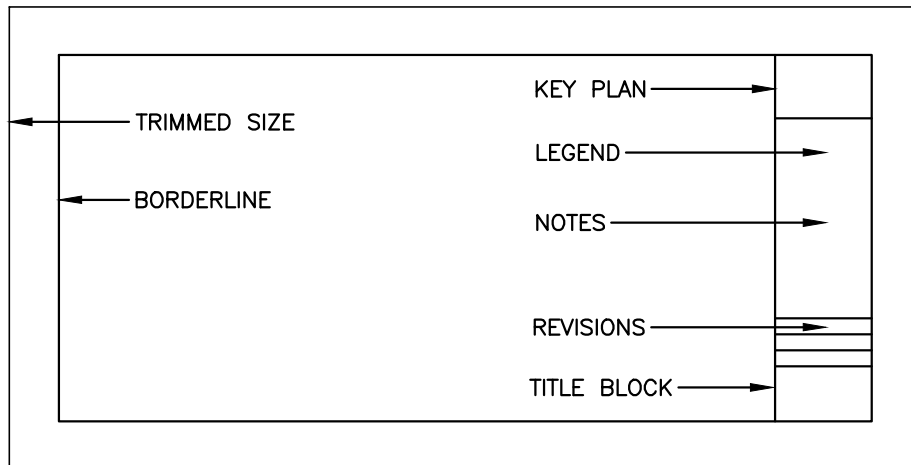


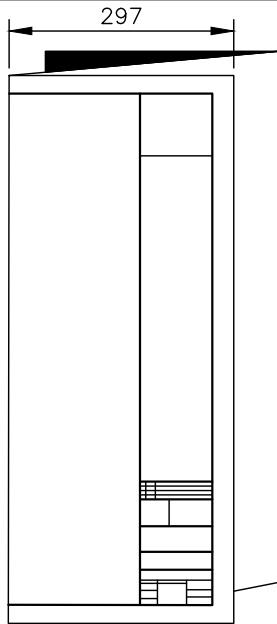
FIGURE 2

**HALIFAX**

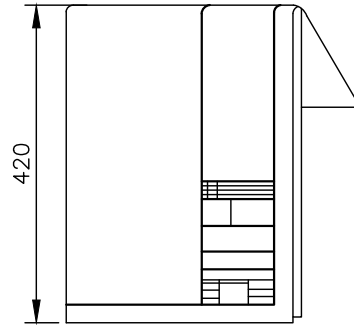
DRAWING STANDARDS

**DRAWING SHEETS FORMAT  
FOR SIZES AND LAYOUT**

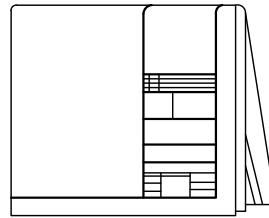
DATE:	2021	REFERENCE	APPROVED
SCALE:	NTS		FIG No.: DS 02



FOLD 1 & 2

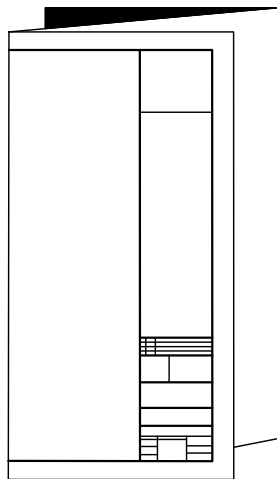


FOLD 3

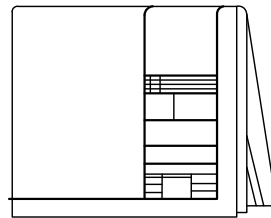


FOLD 4

SIZE A1, A1+ & A0

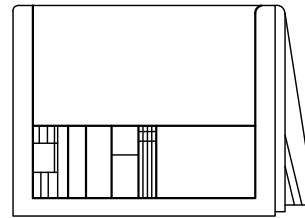


FOLD 1



FOLD 2

SIZE A2



SIZE A3

FOLDING OF PRINTS:

1. TO FACILITATE HANDLING, MAILING, AND FILING, PRINTS SHOULD BE FOLDED TO 210 x 297 IN SUCH A WAY THAT THE TITLE BLOCK AND AUXILIARY NUMBER WILL ALWAYS APPEAR ON THE FRONT FACE, AND THE LAST FOLD WILL ALWAYS BE AT THE TOP. IN FILING, THIS PREVENTS OTHER DRAWINGS FROM BEING PUSHED IN THE FOLDS OF FILED PRINTS.
2. METHODS OF FOLDING PRINTS AS ILLUSTRATED PRINTS LARGER THAN A2 ARE FOLDED IN VERTICAL FOLDS ON 297 CENTRES THEN FOLDED AT 420 FROM THE LOWER EDGE.
3. ON PREPRINTED FORMS LARGER THAN SIZE A2 IT IS RECOMMENDED THAT FOLD MARKS FOR THE FIRST VERTICAL AND HORIZONTAL FOLDS BE INCLUDED IN THE MARGIN, AND IDENTIFIED BY NUMBER, FOR EXAMPLE, 'FOLD 1', 'FOLD 3'. IN ZONED PRINTS THE FOLD LINES WILL COINCIDE WITH ZONE BOUNDARIES BUT SHOULD NEVERTHELESS BE IDENTIFIED.
4. TO AVOID LOSS OF CLARITY BY FREQUENT FOLDING, IMPORTANT DETAILS SHOULD NOT BE PLACED IN CLOSE PROXIMITY TO FOLD.
5. DIMENSIONS ARE IN MILLIMETRES.

**HALIFAX**

**DRAWING STANDARDS**

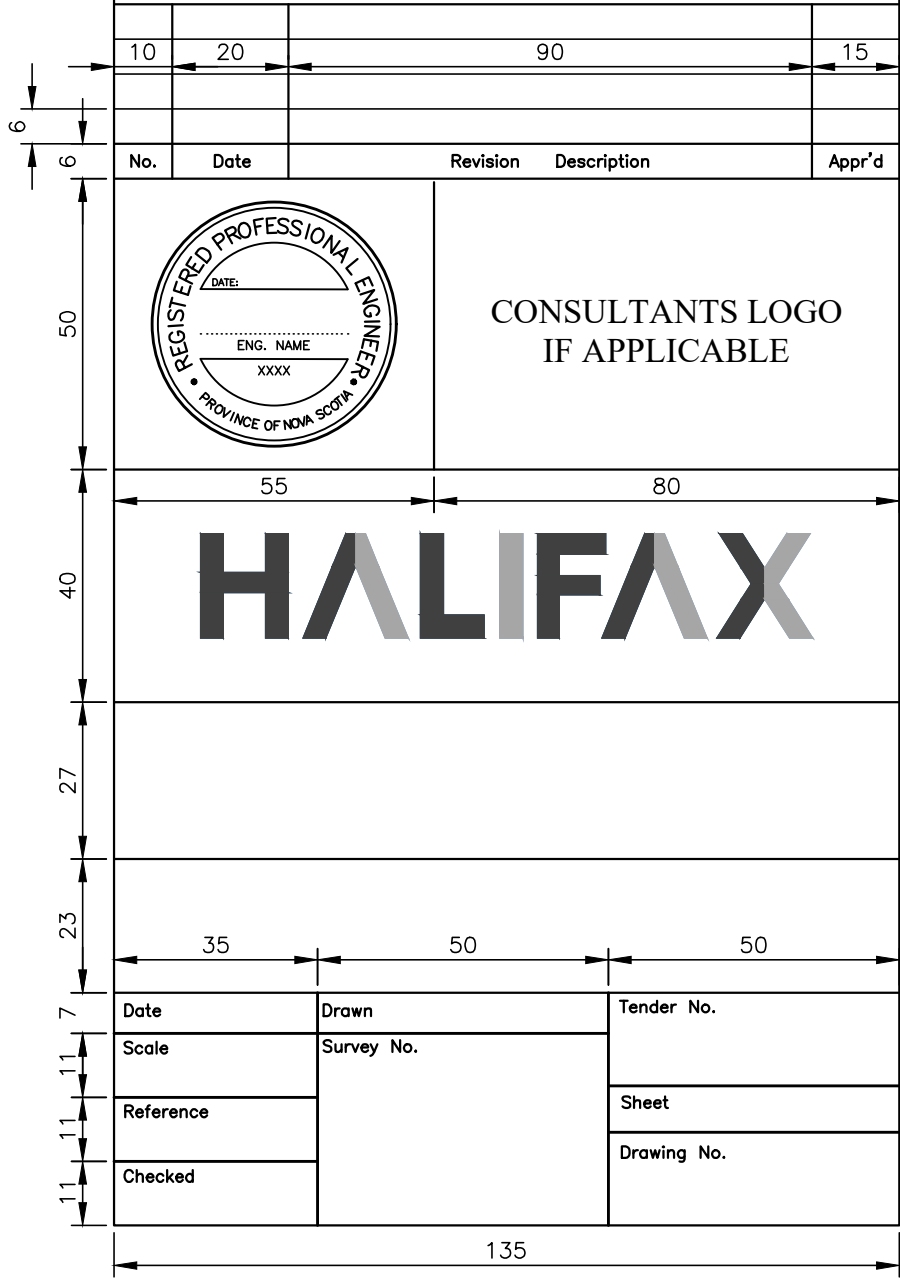
**FOLDING OF  
PAPER PRINTS**

DATE:	2021	REFERENCE	APPROVED
SCALE:	NTS		FIG No.:
			<b>DS 03</b>



REVIEWED AND APPROVED FOR TRAFFIC SIGNALS AND PAVEMENT MARKINGS

Appr'd \_\_\_\_\_ Date \_\_\_\_\_  
for TRAFFIC AUTHORITY



**NOTES:**

1. TITLE BLOCK FOR SHEETS A1 AND A1+.
2. DIMENSIONS ARE IN METRES.

# HALIFAX

---

**DRAWING STANDARDS**

---

**TITLE BLOCK – TYPE I  
SHOWING BLOCK DIMENSIONS**

DATE:	REFERENCE	APPROVED
2021		
SCALE:		FIG No.:
NTS		DS 04

L=WIDTH 0.53 H=3.0

L=WIDTH 0.30 H=2.0

L=WIDTH 0.53 H=3.5

L=WIDTH 0.30 H=2.0


L=WIDTH 0.53 H=3.5

L=WIDTH 0.30 H=2.0

L=WIDTH 0.30 H=2.0

L=WIDTH 0.53 H=3.5

L=WIDTH 0.30 H=2.0

<b>KEY PLAN</b>					
SCALE 1:10 000					
PLAN LEGEND					
NOTES					
REVIEWED AND APPROVED FOR TRAFFIC SIGNALS AND PAVEMENT MARKINGS					
Appr'd _____ Date _____ for TRAFFIC AUTHORITY					
3		ISSUED FOR CONSTRUCTION			
2		ISSUED FOR TENDER			
1	MON DY/YR	ISSUED FOR PRE-TENDER DESIGN REVIEW			
No.	Date	Revision	Description	Appr'd	
			CONSULTANTS LOGO IF APPLICABLE		
<h1 style="margin: 0;">HALIFAX</h1>					
STREET NAME					
LIMITS					
COMMUNITY					
SCOPE OF WORK					
Date XXXXX	Drawn xx	Tender No.			
Scale Horz. 1:500 Vert. 1:50	Survey No. SU18xxxx	21-000			
Reference	DATUM HORZ: NAD83(CSR5) EPOCH 2010.0 3" MTM PROJECTION ZONE 5 VERT: CGVD2013	Sheet 1 OF 1			
Checked		Drawing No. 20000000			

L=WIDTH 0.80 H=5.0

L=WIDTH 0.53 H=3.0

L=WIDTH 0.53 H=3.0

L=WIDTH 0.65 H=4.5

L=WIDTH 0.65 H=4.5

NOTES:

H=HEIGHT  
L=LAYER

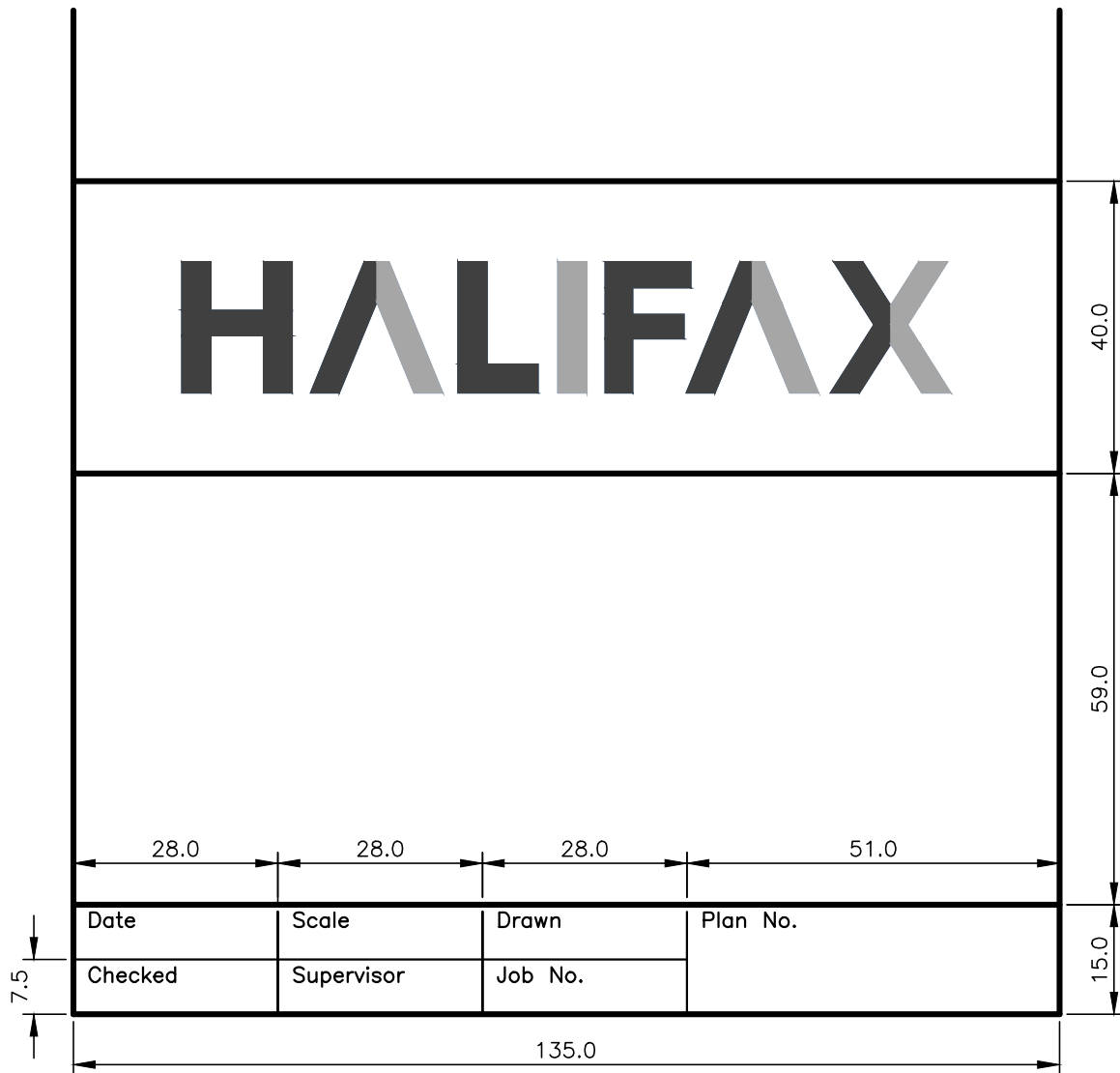
1. ALL TEXT TO BE OF THE STYLE "ROMANS" EXCEPT WHERE NOTED.
2. TITLE BLOCK FOR SHEETS A1 AND A1+.

# HALIFAX

## DRAWING STANDARDS

### TITLE BLOCK - TYPE I SHOWING LAYER, HEIGHT AND STYLE

DATE:	2021	REFERENCE	APPROVED
SCALE:	NTS	FIG No.:	DS 05



**NOTES:**

1. TITLE BLOCK FOR SHEET SIZE A2.
2. DIMENSIONS ARE IN METRES.

<b>HALIFAX</b>		
<b>DRAWING STANDARDS</b>		
<b>TITLE BLOCK LEGAL PLANS SHOWING BLOCK DIMENSIONS</b>		
DATE:	REFERENCE	APPROVED
2021		
SCALE:		FIG No.:
NTS		DS 06

L=WIDTH 0.53 H=3.0

L=WIDTH 0.30 H=2.0

L=WIDTH 0.53 H=3.5

L=WIDTH 0.30 H=2.0


L=WIDTH 0.53 H=3.5

L=WIDTH 0.30 H=2.0

L=WIDTH 0.30 H=2.0

L=WIDTH 0.53 H=3.5

L=WIDTH 0.30 H=2.0

<b>KEY PLAN</b>					
SCALE 1:10 000					
PLAN			LEGEND		
NOTES					
REVIEWED AND APPROVED FOR TRAFFIC SIGNALS AND PAVEMENT MARKINGS					
Appr'd _____ Date _____ for TRAFFIC AUTHORITY					
3	ISSUED FOR CONSTRUCTION				
2	ISSUED FOR TENDER				
1	MON DY/YR	ISSUED FOR PRE-TENDER DESIGN REVIEW			
No.	Date	Revision	Description	Appr'd	
			CONSULTANTS LOGO IF APPLICABLE		
DEVELOPERS LOGO					
STREET NAME LIMITS COMMUNITY					
SCOPE OF WORK					
Date	XXXXX	Drawn	xx	Tender No.	
Scale	Horz. 1:500 Vert. 1:50	Survey No.	SU18xxxx	21-000	
Reference	DATUM HORZ: NAD83(CSRs) EPOCH 2010.0 3" MTM PROJECTION ZONE 5 VERT: CGVD2013			Sheet	1 OF 1
Checked				Drawing No.	20000000

L=WIDTH 0.80 H=5.0

L=WIDTH 0.53 H=3.0

L=WIDTH 0.53 H=3.0

L=WIDTH 0.65 H=4.5

L=WIDTH 0.65 H=4.5

**NOTES:**

H=HEIGHT  
L=LAYER

1. ALL TEXT TO BE OF THE STYLE "ROMANS" EXCEPT WHERE NOTED.
2. TITLE BLOCK FOR SHEETS A1 AND A1+.

# HALIFAX

**DRAWING STANDARDS**

**TITLE BLOCK FOR DEVELOPERS  
USED FOR SUBDIVISIONS  
SHOWING LAYER, HEIGHT AND STYLE**

DATE: 2021	REFERENCE	APPROVED
SCALE: NTS		FIG No.: DS 07

L=WIDTH 0.53  
H=3.5

KEY PLAN

L=WIDTH 0.3  
H=2.0

SCALE 1:10 000

L=WIDTH 0.53  
H=3.5

LEGEND

L=WIDTH 0.3  
H=2.0

L=WIDTH 0.53  
H=3.5

NOTES

L=WIDTH 0.3  
H=2.0

# HALIFAX

PLAN OF SURVEY OF  
**LOT ??**

L=WIDTH 0.53  
H=3.0

L=WIDTH 0.8  
H=5.0

SUBDISION OF

L=WIDTH 0.53  
H=3.0

L=WIDTH 0.53  
H=3.5

PARCEL ??

L=WIDTH 0.53  
H=3.0

L=WIDTH 0.65  
H=4.0

**HALIFAX REGIONAL MUNICIPALITY**

L=WIDTH 0.53  
H=3.0

L=WIDTH 0.53  
H=3.0

**HALIFAX**

**??????? AVENUE  
HALIFAX COUNTY**

**NOVA SCOTIA**

L=WIDTH 0.3  
H=2.0

Date	Scale XXXXXX	Drawn XX	Plan No.
Checked	Supervisor	Job No. SU000XXX	XXXXXXXXXX

L=WIDTH 0.65  
H=5.0

L=WIDTH 0.3  
H=2.5

L=WIDTH 0.3  
H=2.0

NOTE:

ALL TEXT TO BE OF THE STYLE "ROMANS".

L = LAYER  
H = HEIGHT

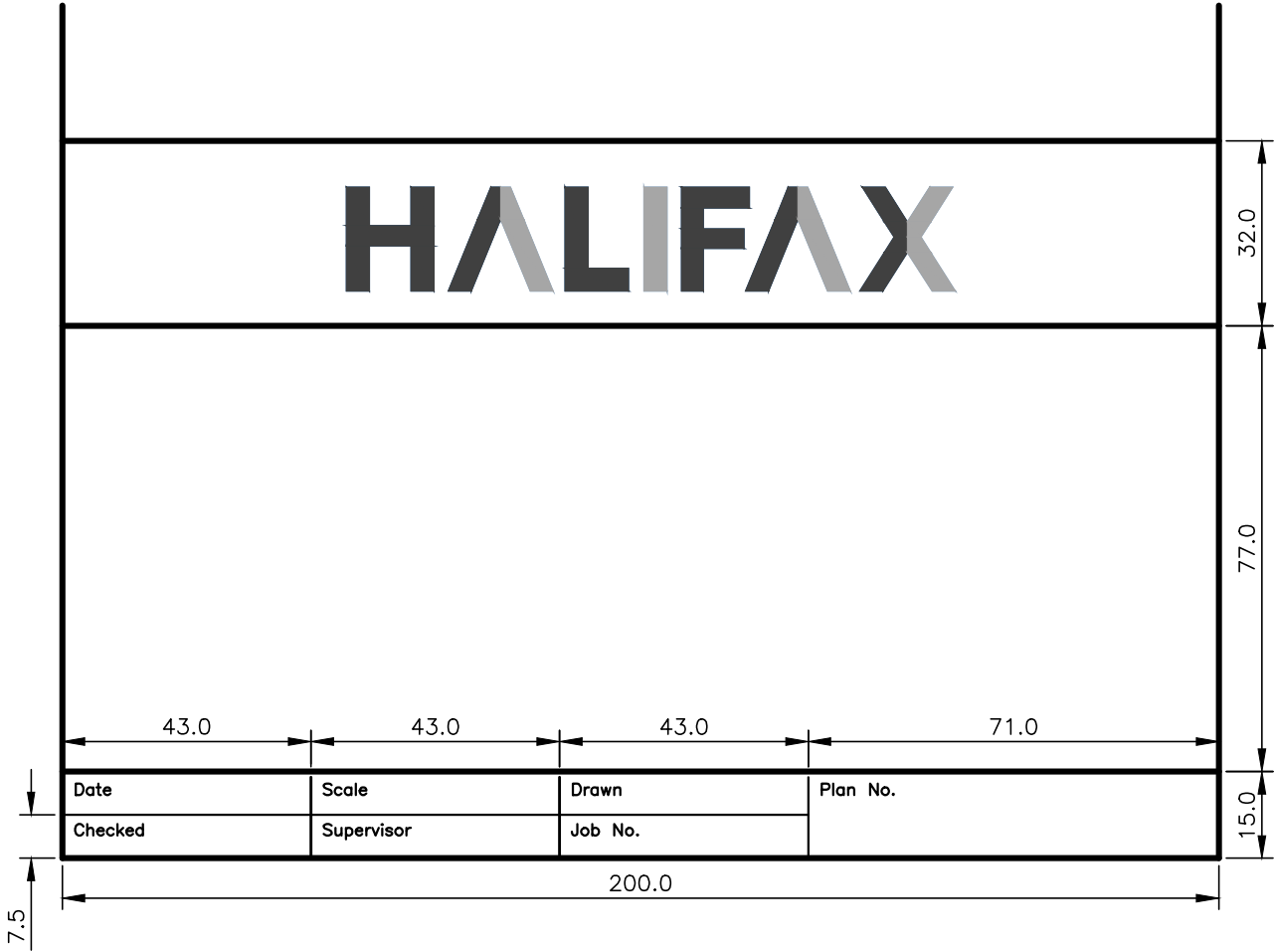
# HALIFAX

DRAWING STANDARDS

TITLE BLOCK LEGAL PLANS  
SHOWING TEXT HEIGHTS

DATE:	2021	REFERENCE	APPROVED
SCALE:	NTS		FIG No.: DS 08

# HALIFAX



**NOTES:**

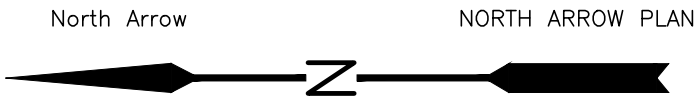
1. TITLE BLOCK FOR SHEET SIZES A1 AND A0.
2. DIMENSIONS ARE IN METRES.

<h1>HALIFAX</h1>		
<b>DRAWING STANDARDS</b>		
<b>TITLE BLOCK LEGAL PLANS SHOWING BLOCK DIMENSIONS</b>		
DATE:	2021	REFERENCE
SCALE:	NTS	APPROVED
		FIG No.:
		<b>DS 09</b>

# HALIFAX REGIONAL MUNICIPALITY SYMBOLS

BLOCK NAME	SYMBOL	DESCRIPTION
SWMHCO		COMBINED MANHOLE
PLSWMHCO		PROPOSED COMBINED MANHOLE
SWMHST		STORM MANHOLE
PLSWMHST		PROPOSED STORM MANHOLE
SWMHSA		SANITARY MANHOLE
PLSWMHSA		PROPOSED SANITARY MANHOLE
SWCB		CATCHBASIN
PLSWCB		PROPOSED CATCHBASIN
SWCBDB		DOUBLE CATCHBASIN
PLSWCBDB		PROPOSED DOUBLE CATCHBASIN
SWPS		PUMPING STATION
PLSWPS		PROPOSED PUMPING STATION
SWMHUK		UNKNOWN MANHOLE
UTMHTL		ALIAN T MANHOLE
UTMHPW		N.S. POWER MANHOLE OR JUNCTION BOX
WCHY		HRWC FIRE HYDRANT
PLWCHY		PROPOSED HRWC FIRE HYDRANT
WCVL		HRWC WATER VALVE
PLWCVL		PROPOSED HRWC WATER VALVE
UTPO		UTILITY POLE
PLUTPO		PROPOSED UTILITY POLE
TFTL		TRAFFIC LIGHT STANDARD
PLTFTL		PROPOSED TRAFFIC LIGHT STANDARD
TFSL		STREET LIGHT STANDARD
PLTFSL		PROPOSED STREET LIGHT STANDARD
TFSP		SIGN POST
PLTFSP		PROPOSED SIGN POST
LCTS		TREE
PLLCTS		PROPOSED TREE
LCSA		SHRUB
MNNSCM		NOVA SCOTIA COORDINATE MONUMENT
PLTFPR		PROPOSED PEDESTRIAN RAMP
TFPR		PEDESTRIAN RAMP
TFPM		PARKING PAY STATION
UTGW		GUY WIRE ANCHOR
TRBS		BUS STOP
SVIB		IRON BAR
SVIP		IRON PIPE
SVDH		DRILL HOLE
SVRS		RAILWAY SPIKE
SVSM		SURVEY MARKER
SVRP		ROCK POST
SVNL		NAIL
TFJB		TRAFFIC LOOP JUNCTION BOX
TFCB		TRAFFIC CABINET OR CONTROLLER BOX
SWIN		SEWER INLET
SWOF		SEWER OUTFALL
WCCHMH		HRWC MAHNOLE
GSVL		GAS VALVE
TFRS		PROPOSED RADAR SYSTEM
TFSH	TRAFFIC SIGNAL HEAD	
TFPH	PEDESTRIAN HEAD	
PLTFSH	PROPOSED TRAFFIC SIGNAL HEAD	
PLTFPH	PROPOSED PEDESTRIAN HEAD	
CNLM		LIMIT OF CONSTRUCTION

NOTE: ALL SYMBOLS ON LAYER HE--SYMBOLS--ALL



## HALIFAX

---

### DRAWING STANDARDS

### STANDARD DRAWING

### SYMBOLS PLAN

DATE:	2021	REFERENCE
SCALE:	NTS	APPROVED
		FIG No.:
		DS 10

# HALIFAX REGIONAL MUNICIPALITY SYMBOLS

<u>BLOCK NAME</u>	<u>SYMBOL</u>	<u>DESCRIPTION</u>
TFMKAR3T		TRAFFIC ARROW RIGHT-STRAIGHT-LEFT
TFMKARLT		LEFT TURN ARROW
TFMKARRT		RIGHT TURN ARROW
TFMKARTL		TRAFFIC ARROW STRAIGHT-LEFT
TFMKARTR		TRAFFIC ARROW STRAIGHT-RIGHT
TFMKARST		TRAFFIC ARROW STRAIGHT
TFMKARRLT		TRAFFIC ARROW LEFT-RIGHT

\* NOTE: ALL SYMBOLS ON LAYER HE-SYMBOLS-ALL

DEPRESSION

CUT

FILL

TRAIL

STREAM

CONTOURS

+N 4 945 783.000 COORDINATES  
E 5 565 324.000

POWER TRANSMISSION TOWER

WELL

TREED AREA OR BUSH

SWAMP AREA

56.75 SPOT ELEVATION

GASOLINE PUMPS WITH ISLAND

CULVERT (STATE TYPE, ID. & LENGTH)

PROPOSED CONCRETE SURFACE

PROPOSED ASPHALT SURFACE

# HALIFAX

DRAWING STANDARDS

**STANDARD DRAWING  
SYMBOLS PLAN**

DATE:	2021	REFERENCE	APPROVED
-------	------	-----------	----------

SCALE:	NTS	FIG No.:	DS 11
--------	-----	----------	-------



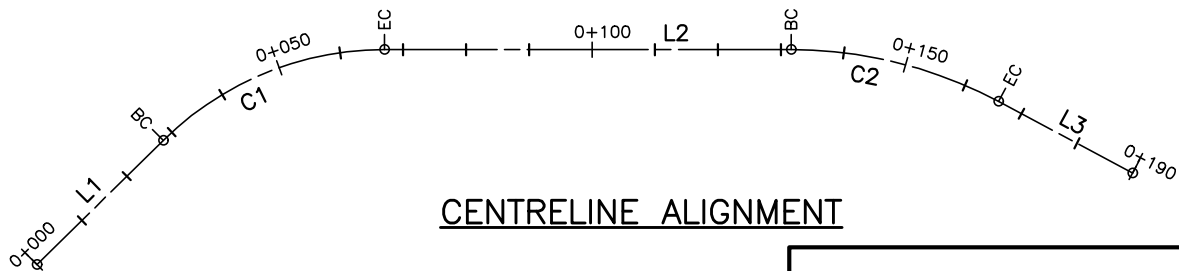
CONTROL VALUES – SUXXXXX  
 COORDINATE VALUES – NAD83(CSRS) EPOCH 2010.0  
 3° MTM PROJECTION ZONE 5, VERTICAL CGVD2013

PT. NO.	NORTHING	EASTING	ELEVATION	DESCRIPTION
1	4 958 712.713	25 563 994.063	50.878	DRILL HOLE
2	4 958 760.369	25 564 037.398	49.632	DRILL HOLE
3	4 958 793.231	25 563 989.019	53.447	SPIKE
222185	4 958 867.433	25 563 264.290	64.472	NSCM-MEAS.
223681	4 958 203.467	25 565 530.677	27.623	NSHPN-PUB.

VALUES SHOWN ARE BASED ON THE NOVA SCOTIA COORDINATE REFERENCING SYSTEM. PLAN DETAILS ARE REFERRED TO THE CONTROL TABLE ABOVE. BOUNDARY LINES ARE APPROXIMATE, AND ARE SUBJECT TO A FIELD SURVEY.

STREET NAME CENTRELINE ALIGNMENT

ID #	STATION	RADIUS	NORTHING	EASTING	DEF ANGLE
L1	0+000.00 0+028.12		-0.662 19.077	24.297 44.320	
C1	BC 0+028.12 EC 0+067.03	50.000	19.077 33.471	44.320 79.423	44° 35' 30"
L2	0+067.03 0+131.61		33.471 33.471	79.423 144.003	
C2	BC 0+131.61 EC 0+165.90	70.000	33.471 25.238	144.003 176.940	28° 04' 07"
L3	0+165.90 0+190.00		25.238 13.900	176.940 198.202	



# HALIFAX

DRAWING STANDARDS

**CONTROL TABLES  
 (SHOWING INFORMATION  
 FOR PROJECT LAYOUT)**

DATE:	2021	REFERENCE	APPROVED
SCALE:	NTS		FIG No.: DS 12

IDENTIFICATION	MATERIAL	ITEM	SIZE/WIDTH	COLOUR	QUANTITY
P1.1	PAINT	SINGLE LINE-SOLID	100 mm	WHITE	#m
P1.2	PAINT	SINGLE LINE-BROKEN	100 mm (3 m LINE, 6 m SPACING)	WHITE	#m
P1.3	PAINT	SINGLE LINE-BROKEN	100 mm (3 m LINE, 3 m SPACING)	WHITE	#m
P1.4	PAINT	SINGLE LINE-BROKEN	100 mm (1.8 m LINE, 1.8 m SPACING)	WHITE	#m
P1.5	PAINT	SINGLE LINE-BROKEN	100 mm (1.5 m LINE, 1.5 m SPACING)	WHITE	#m
P1.6	PAINT	SINGLE LINE-BROKEN	100 mm (1.0 m LINE, 1.0 m SPACING)	WHITE	#m
P1.7	PAINT	SINGLE LINE-BROKEN	100 mm (0.5 m LINE, 0.5 m SPACING)	WHITE	#m
P1.10	PAINT	SINGLE LINE-SOLID	100 mm	YELLOW	#m
P1.11	PAINT	SINGLE LINE-BROKEN	100 mm (3 m LINE, 6 m SPACING)	YELLOW	#m
P1.12	PAINT	DOUBLE CENTRELINE-SOLID	100 mm	YELLOW	#m
P1.13	PAINT	DOUBLE CENTRELINE-SINGLE SOLID w SINGLE BROKEN	100 mm (3 m LINE, 6 m SPACING)	YELLOW	#m
P1.14	PAINT	DOUBLE LINE-BROKEN	100 mm (3 m LINE, 6 m SPACING)	YELLOW	#m
P2	PAINT	STOP BAR	450 mm	WHITE	#m
P3	PAINT	YIELD LINE	450 mm WIDE, SPACING VARIES, SEE HRM STANDARD DETAIL 90	WHITE	#m
P4	PAINT	CROSSWALK	2 x 200 mm	WHITE	#m
P5	PAINT	ZEBRA CROSSWALK	600 mm WIDE, 600 mm SPACING, 2.5 m WIDE	WHITE	#m
P6	PAINT	HATCHING	100 mm LANE LINES, 450 mm HATCH LINES, 6.0 m SPACING	WHITE	#m <sup>2</sup>
P7	PAINT	HATCHING	100 mm LANE LINES, 450 mm HATCH LINES, 6.0 m SPACING	YELLOW	#m <sup>2</sup>
P8	PAINT	INTERSECTION BOX w HATCHING	200 mm LINES, 1.2 m SPACING	WHITE	#m <sup>2</sup>
P9.1	PAINT	ARROW	3/4 TAC SIZE	WHITE	#EA.
P9.2	PAINT	ARROW	1/2 TAC SIZE	WHITE	#EA.
P9.3	PAINT	ROUNDBOUT ARROW	SEE HRM STANDARD DETAIL 95	WHITE	#EA.
P10	PAINT	BICYCLE SYMBOL	1.2 m X 2.1 m	WHITE	#EA.
P11	PAINT	ADVANCE YIELD TO PEDESTRIANS LINE (TRIANGLES)	SEE HRM STANDARD DETAIL 93	WHITE	#m
P12	PAINT	SPEED HUMP/SPEED TABLE MARKINGS	SEE HRM STANDARD DETAIL 31 & 143	WHITE	# SITES
P13	PAINT	RESERVED LANE DIAMOND SYMBOL	0.75 m X 3.0 m	WHITE	#EA.
P15.1	PAINT	SHARED USE LANE SYMBOL	1.2 m X 3.0 m	WHITE	#EA.
P30	PAINT	NEW INTERSECTION MARKINGS	-	-	LS
P31	PAINT	REMOVAL OF EXISTING MARKINGS	-	-	LS
P32	PAINT	REPLACEMENT OF EXIST. MARKINGS	-	-	LS

# HALIFAX

## DRAWING STANDARDS PAVEMENT MARKING TABLE (PAINT)

DATE:	2021	REFERENCE	APPROVED
SCALE:	NTS		FIG No.: DS 13.1

IDENTIFICATION	MATERIAL	ITEM	SIZE/WIDTH	COLOUR	QUANTITY
T1.1	THERMOPLASTIC	SINGLE LINE-SOLID	100 mm	WHITE	#m
T1.2	THERMOPLASTIC	SINGLE LINE-BROKEN	100 mm (3 m LINE, 6 m SPACING)	WHITE	#m
T1.3	THERMOPLASTIC	SINGLE LINE-BROKEN	100 mm (3 m LINE, 3 m SPACING)	WHITE	#m
T1.4	THERMOPLASTIC	SINGLE LINE-BROKEN	100 mm (1.8 m LINE, 1.8 m SPACING)	WHITE	#m
T1.5	THERMOPLASTIC	SINGLE LINE-BROKEN	100 mm (1.5 m LINE, 1.5 m SPACING)	WHITE	#m
T1.6	THERMOPLASTIC	SINGLE LINE-BROKEN	100 mm (1.0 m LINE, 1.0 m SPACING)	WHITE	#m
T1.7	THERMOPLASTIC	SINGLE LINE-BROKEN	100 mm (0.5 m LINE, 0.5 m SPACING)	WHITE	#m
T1.10	THERMOPLASTIC	SINGLE LINE-SOLID	100 mm	YELLOW	#m
T1.11	THERMOPLASTIC	SINGLE LINE-BROKEN	100 mm (3 m LINE, 6 m SPACING)	YELLOW	#m
T1.12	THERMOPLASTIC	DOUBLE CENTRELINE-SOLID	100 mm	YELLOW	#m
T1.13	THERMOPLASTIC	DOUBLE CENTRELINE-SINGLE SOLID w SINGLE BROKEN	100 mm (3 m LINE, 6 m SPACING)	YELLOW	#m
T1.14	THERMOPLASTIC	DOUBLE LINE-BROKEN	100 mm (3 m LINE, 6 m SPACING)	YELLOW	#m
T2	THERMOPLASTIC	STOP BAR	450 mm	WHITE	#m
T3	THERMOPLASTIC	YIELD LINE	450 mm	WHITE	#m
T4	THERMOPLASTIC	CROSSWALK	2 x 200 mm	WHITE	#m
T5	THERMOPLASTIC	ZEBRA CROSSWALK	600 mm	WHITE	#m
T6	THERMOPLASTIC	HATCHING	100 mm LANE LINES, 450 mm HATCH LINES, 6.0 m SPACING	WHITE	#m <sup>2</sup>
T7	THERMOPLASTIC	HATCHING	100 mm LANE LINES, 450 mm HATCH LINES, 6.0 m SPACING	YELLOW	#m <sup>2</sup>
T8	THERMOPLASTIC	INTERSECTION BOX w HATCHING	200 mm LINES, 1.2 m SPACING	WHITE	#m <sup>2</sup>
T9.1	THERMOPLASTIC	ARROW	3/4 TAC SIZE	WHITE	#EA.
T9.2	THERMOPLASTIC	ARROW	1/2 TAC SIZE	WHITE	#EA.
T9.3	THERMOPLASTIC	ROUNDBOUT ARROW	SEE HRM STANDARD DETAIL 95	WHITE	#EA.
T10.1	THERMOPLASTIC	BICYCLE SYMBOL ON BLACK BACKGROUND	1.2 m X 2.1 m	WHITE ON BLACK BACKGROUND	#EA.
T10.2	THERMOPLASTIC	BICYCLE SYMBOL ON GREEN BACKGROUND	1.2 m X 2.1 m	WHITE ON GREEN BACKGROUND	#EA.
T11	THERMOPLASTIC	ADVANCE YIELD TO PEDESTRIANS LINE (TRIANGLES)	SEE HRM STANDARD DETAIL 93	WHITE	#m
T12	THERMOPLASTIC	SPEED HUMP/SPEED TABLE MARKINGS	SEE HRM STANDARD DETAIL 31 & 143	WHITE	# SITES
T13	THERMOPLASTIC	RESERVED LANE DIAMOND SYMBOL ON BLACK BACKGROUND	0.75 m X 3.0 m	WHITE	#EA.
T14	THERMOPLASTIC	RESERVED LANE DIAMOND SYMBOL ON RED BACKGROUND	0.75 m X 3.0 m 2.8 m X 4.3 m	BLACK WHITE RED	#EA.
T15.1	THERMOPLASTIC	SHARED USE LANE SYMBOL ON BLACK BACKGROUND	1.2 m X 3.3 m	WHITE ON BLACK BACKGROUND	#EA.
T15.2	THERMOPLASTIC	SHARED USE LANE SYMBOL ON GREEN BACKGROUND	1.2 m X 3.3 m	WHITE ON GREEN BACKGROUND	#EA.

IDENTIFICATION	MATERIAL	ITEM	SIZE/WIDTH	COLOUR	QUANTITY
T16	THERMOPLASTIC	SHARKS TEETH TRIANGLES	450 mm X 150 mm, 5 PER ROW	WHITE	# ROWS
T17	THERMOPLASTIC	TWO STAGE BICYCLE LEFT TURN BOX	2.0 m X 3.0 m	WHITE ON GREEN BACKGROUND	#EA.
T18	THERMOPLASTIC	VEHICLE/BICYCLE ZEBRA CONFLICT MARKING (1.8 m X 0.6 m TOTAL)	1.5 m X 0.6 m ADD. 0.15 m EA. END	GREEN WHITE	#EA.
T19	THERMOPLASTIC	DRIVEWAY/BICYCLE ZEBRA CONFLICT MARKING (1.3 m X 0.6 m TOTAL)	1.0 m X 0.6 m ADD. 0.15 m EA. END	GREEN WHITE	#EA.
T20	THERMOPLASTIC	BICYCLE/PEDESTRIAN ZEBRA CONFLICT MARKING	2.5 m X 0.3 m WIDE, 0.3 m SPACING	WHITE	#m
T21	THERMOPLASTIC	TRAIL CROSSWALK	200 mm SOLID LINE (2.5 m WIDTH) 200 mm BROKEN LINE 0.4 m LINE, 0.4m SPACING (4.5 m WIDTH)	WHITE	#m
T30	THERMOPLASTIC	NEW INTERSECTION MARKINGS	-	-	LS
T31	THERMOPLASTIC	REMOVAL OF EXISTING MARKINGS	-	-	LS
T32	THERMOPLASTIC	REPLACEMENT OF EXIST. MARKINGS	-	-	LS

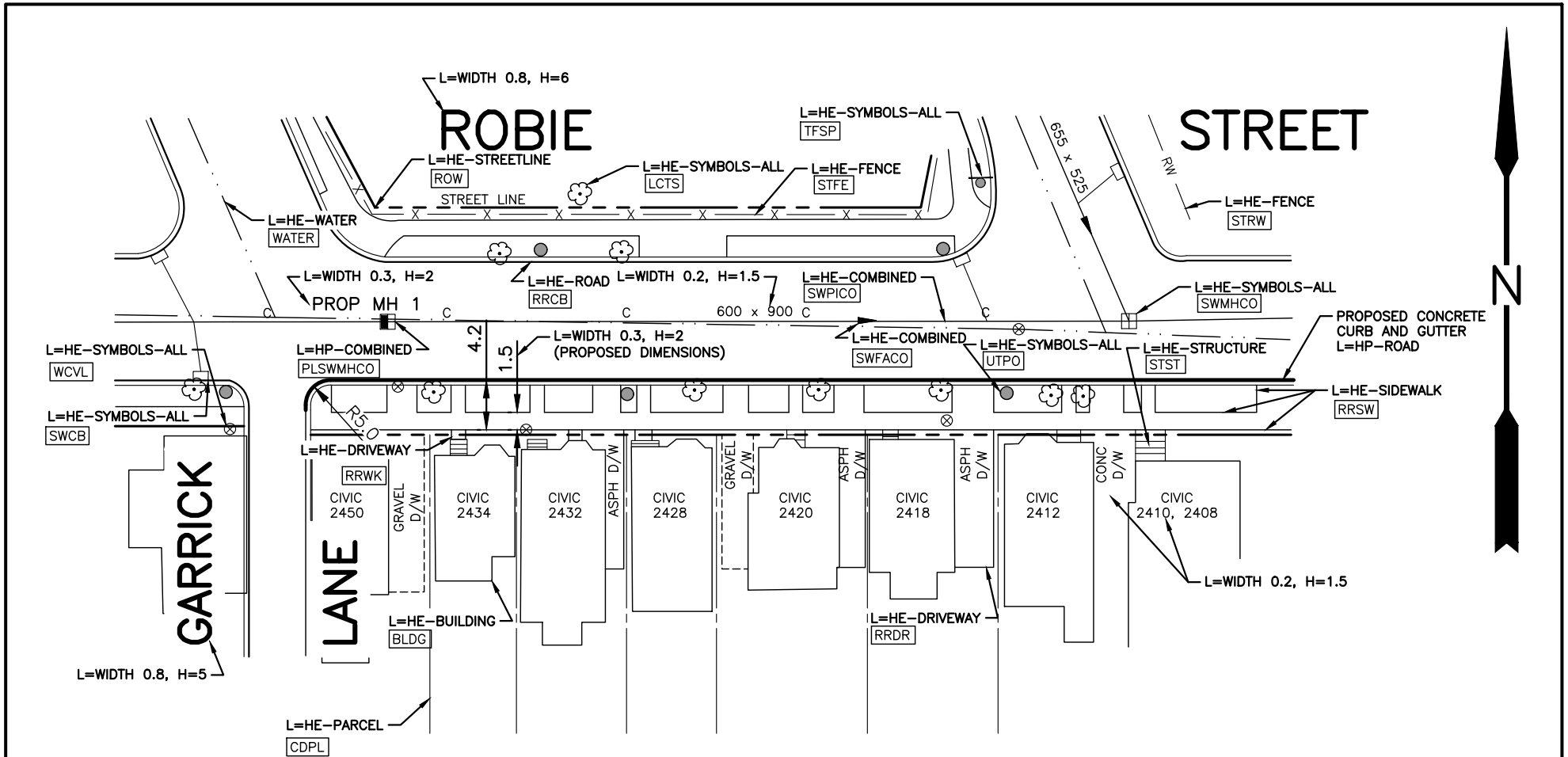
# HALIFAX

## DRAWING STANDARDS

### PAVEMENT MARKING TABLE (THERMOPLASTIC)

DATE:	2021	REFERENCE	APPROVED
SCALE:	NTS		FIG No.: DS 13.2





**NOTE:**

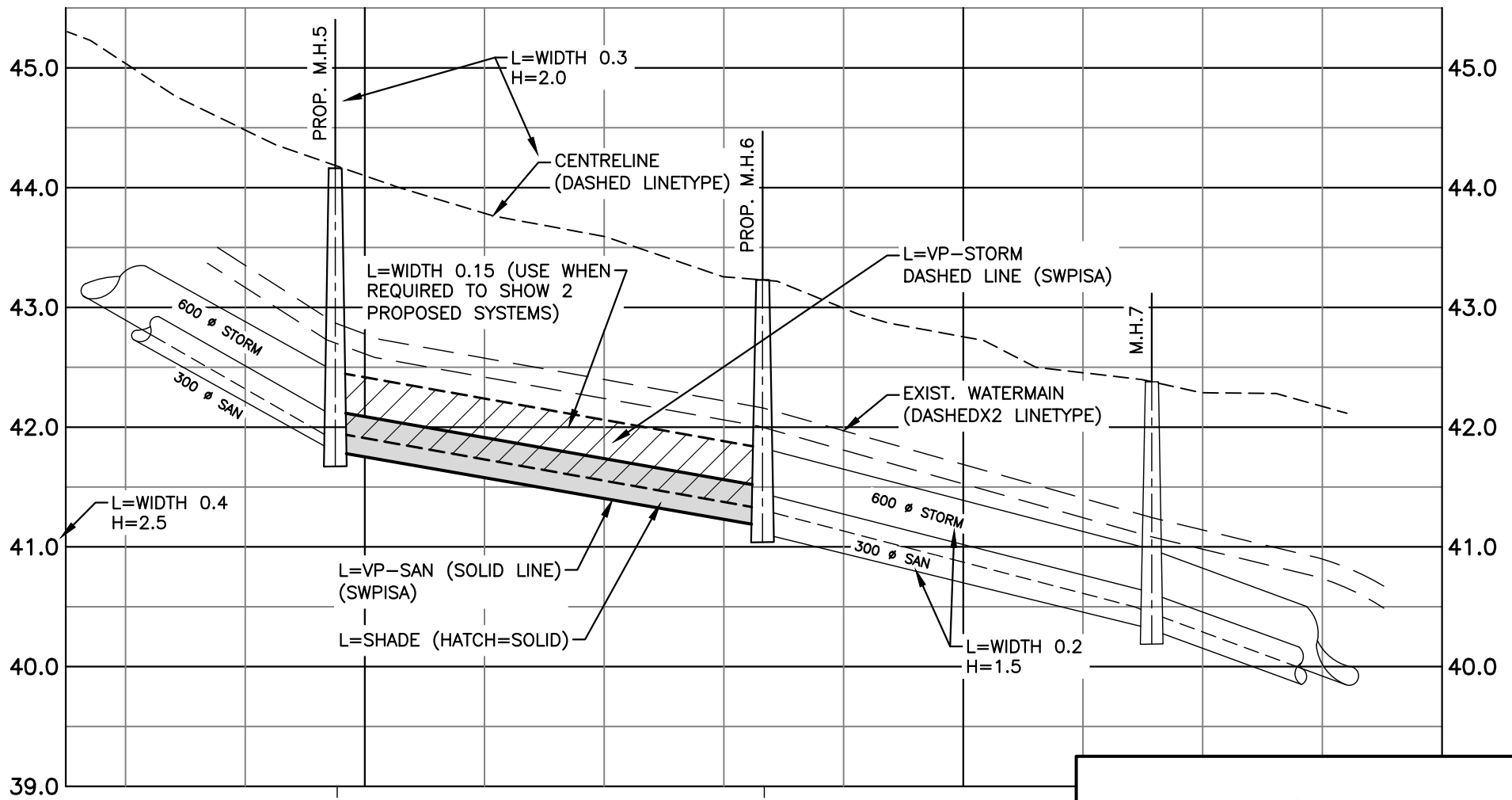
1. ALL TEXT WHICH PERTAINS TO PROPOSED INFORMATION SHALL BE A MINIMUM HEIGHT OF 2.0.

<b>BLDG</b>	BLOCK NAMES OR LINETYPES
L	LAYER
H	HEIGHT

# HALIFAX

## DRAWING STANDARDS PLAN TEXT SIZES LAYERS, AND LINETYPES

DATE:	2021	REFERENCE	APPROVED
SCALE:	NTS	FIG No.:	DS 15



0+075	0+097.0	0+100	0+133.0	0+150
41.900	41.800	41.800	41.113	41.113
STORM SEWER		36.0 ± - 300 Ø PVC SDR35 @ 4.8%		
41.900	41.800	41.800	41.113	41.113
SANITARY SEWER		36.0 ± - 300 Ø CONC. @ 4.8%		

L = LAYER  
 H = HEIGHT

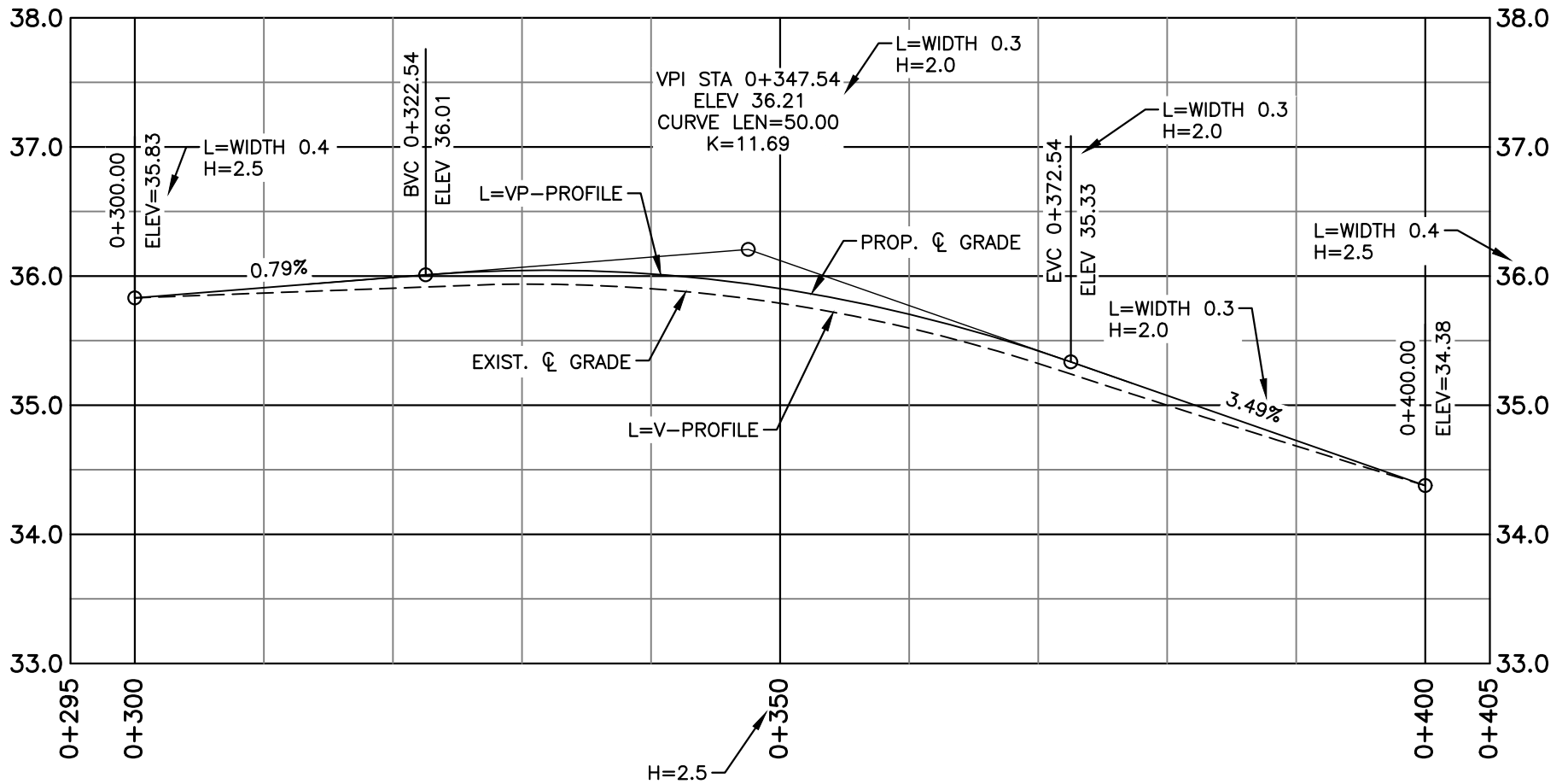
REQUIRED IF NOT USING CIVIL 3D

# HALIFAX

DRAWING STANDARDS

PROFILE TEXT SIZES,  
LAYERS AND LINETYPES

DATE:	2021	REFERENCE	APPROVED
SCALE:	NTS		FIG No.:
			DS 17



L = LAYER  
 H = HEIGHT

# HALIFAX

DRAWING STANDARDS

PROFILE TEXT SIZES,  
LAYERS AND LINETYPES

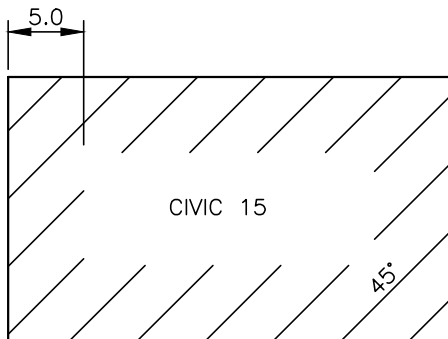
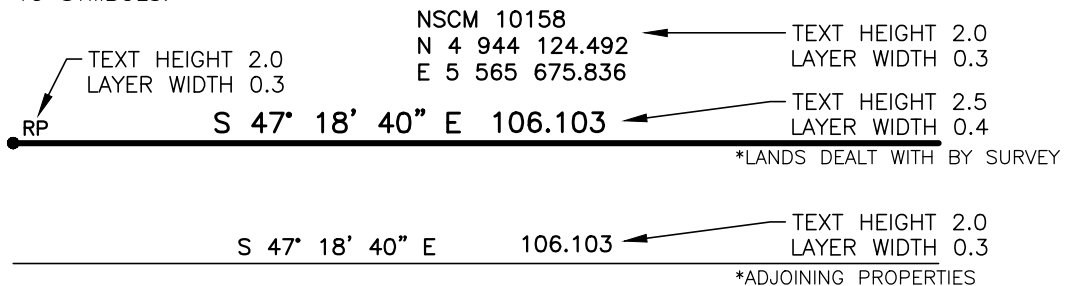
DATE:	2021	REFERENCE	APPROVED
SCALE:	NTS		FIG No.:
			DS 18

# LINETYPES FOR LEGAL DRAWINGS

<u>LABEL</u>		<u>LINETYPE NAME</u>	<u>LAYER</u>
TIE LINE	-----	TIELINE	HE-PARCEL
RADIAL LINE	-----	RADLINE	HE-PARCEL
CO TERMINAL BOUNDARY	PROPOSED -----	PROPLINE	HE-PARCEL
	APPROVED -----	CDPL	HE-PARCEL
RIGHT OF WAY	-----	ROW	HE-PARCEL
EASEMENT	-----	CDES	HE-PARCEL
SURVEYED BOUNDARY	—————	CONTINUOUS	HE-SURVEY
DITCH	-----	WADI	HE-HYDRO
WATERCOURSE	— · · — · · — · · — · · — · · — · · —	WATER	HE-HYDRO
SEWER	—————▶	LINE SHOULD BE CONSISTENT WITH ENG. DWGS.	HE-SEWER
EDGE OF ASPHALT	————— LABEL	CONTINUOUS	HE-ROAD/ HE-DRIVEWAY
EDGE OF D/W, ETC			
EDGE OF GRAVEL	----- LABEL	RRWK-G	HE-ROAD/ HE-DRIVEWAY
EDGE OF D/W, ETC			
FENCE	— x — x — CHAIN-LINK FENCE — x — x —	STFE	HE-FENCE
HEDGE	— H — H — H — H — H — H —	LCHG	HE-TREE LINE
WALL	— W — W — W — W — W — W —	STWL	HE-FENCE
RETAINING WALL	— RW — RW — RW — RW — RW —	STRW	HE-STRUCTURE

**NOTE:**

ANY LINETYPES THAT ARE DRAWN ON A LEGAL DRAWING, (EXAMPLE: SEWER, GUYWIRE, FENCE, RETAINING WALL ETC.) SHOULD BE CONSISTENT WITH ENGINEERING DRAWINGS. THAT ALSO APPLYS TO SYMBOLS.



HATCH SURVEYED BUILDINGS USING:  
HATCH PATTERN — LINE  
LAYER WIDTH 0.2  
HATCH ANGLE 45° TO THE BUILDING LINE

## HALIFAX

---

DRAWING STANDARDS














---

**LINETYPES  
FOR LEGAL DRAWINGS**

DATE:	REFERENCE	APPROVED
2021		
SCALE:		FIG No.:
NTS		DS 19



## LEGEND

	SURVEYED BOUNDARY
	FENCE
	SURVEY MARKER
	NSHPN NOVA SCOTIA HIGH PRECISION MONUMENT
FD	FOUND
	IB IRON BAR
	IP IRON PIPE
	N NAIL
	RP ROCK POST
	CC CUT CROSS
	DH DRILL HOLE
	UTILITY POLE
	GUY WIRE ANCHOR
	TREE
PID	PARCEL IDENTIFICATION NUMBER
PC	POINT OF CURVATURE
PCC	POINT OF COMPOUND CURVATURE
PRC	POINT OF REVERSE CURVATURE
A	ARC
R	RADIUS
SQ M	SQUARE METRES
SQ FT	SQUARE FEET
D	DEED
P	PLAN
M	MEASURED
PR	PLAN REFERENCE
R-O-W	RIGHT OF WAY
WIT	WITNESS
C	CALCULATED
HRM	HALIFAX REGIONAL MUNICIPALITY
NSPI	NOVA SCOTIA POWER INCORPORATED
ROD	REGISTRY OF DEEDS
LRO	LAND REGISTRATION OFFICE
[ ]	LAND SURVEYOR IDENTIFICATION
NI	NO IDENTIFICATION
OHWM	ORDINARY HIGH WATER MARK
BK, PG	BOOK, PAGE
DOC NO	DOCUMENT NUMBER

**NOTES:**

1. IF YOU ARE PUTTING A SURVEY SYMBOL WITH TEXT ON A PLAN THE TEXT SHOULD BE A TEXT HEIGHT 2, LAYER WIDTH 0.3. EX: IP, M, AC.
2. ANY SYMBOLS INSERTED ON A SURVEY DRAWING EX: MANHOLE, TREE, UTILITY POLE, SHOULD BE CONSISTENT WITH ENGINEERING DRAWINGS

# HALIFAX

**DRAWING STANDARDS**

**LEGEND  
FOR LEGAL DRAWINGS**

DATE:	2021	REFERENCE	APPROVED
SCALE:	NTS		FIG No.: <b>DS 20</b>

# EXAMPLES

## SUBJECT LANDS

P.I.D. NO.'S

L=WIDTH 0.3 H=2.0

## **LOT OR PARCEL IDENTIFIER**

L=WIDTH 0.8 H=5.0 (TEXT HEIGHT MAY VARY ACCORDING TO DRAWING SIZE BUT SHOULD MATCH THE TITLE BLOCK).

AREA 000 SQ.M.

L=WIDTH 0.3 H=2.0

PLAN REFERENCE

L=WIDTH 0.3 H=2.0

## **OWNER(S) NAME(S)**

L=WIDTH 0.53 H=3.5

BOOK & PAGE REFERENCE

L=WIDTH 0.3 H=2.0

## GHOSTED TEXT

L=WIDTH 0.2 H=4.5

PLAN REFERENCE  
(USUALLY A SUBJECT LOT THAT IS BEING SUBDIVIDED)

L=WIDTH 0.3 H=2.0

## ADJOINERS LAND

P.I.D. NO.'S

L=WIDTH 0.3 H=2.0

## **LOT OR PARCEL IDENTIFIER** **LOT OR PARCEL IDENTIFIER**

L=WIDTH 0.53 H=3.0

L=WIDTH 0.53 H=3.5

SIZE MAY VARY  
ACCORDING TO SPACE

PLAN REFERENCE

L=WIDTH 0.3 H=2.0

## **OWNER(S) NAME(S)**

L=WIDTH 0.4 H=3.0

BOOK & PAGE REFERENCE

L=WIDTH 0.3 H=2.0

L = LAYER  
H = HEIGHT

### NOTES:

1. STREET NAMES SHOULD BE LARGE AND STAND OUT.
2. ALL TEXT SHOULD BE A MINIMUM HEIGHT OF 2.0.
3. CHANGES IN TEXT HEIGHT AND WEIGHT MAY VARY ACCORDING TO THE PROJECT.
4. WHEN SHOWING COORDINATES, AREAS, ETC IN METRIC DO NOT USE COMMAS. USE A SPACE TO SEPARATE BLOCKS OF 3 DIGITS. A SPACE IS OPTIONAL WITH A 4 DIGIT NUMBER.

# HALIFAX

## DRAWING STANDARDS

## LOT IDENTIFIERS & TEXT SIZES FOR LEGAL DRAWINGS

DATE:	2021	REFERENCE	APPROVED
SCALE:	NTS		FIG No.: DS 21

## PLAN LEGEND

EXISTING		PROPOSED
	SURVEY CONTROL POINT	
	WATERVALVE FIRE HYDRANT	
	UTILITY POLE AND GUY WIRE SIGN POST/BASE	
	FENCE	
	GUIDERAIL	
	RETAINING WALL	
	CONCRETE CURB	
	PROPERTY LINE	
	BASELINE	
	SEWER MANHOLES	
	CATCHBASIN	
	GAS MAIN	
	CONCRETE SURFACE	
	ASPHALT SURFACE	
	EDGE OF GRAVEL SURFACE	
	WATERMAIN	
	TREE	
	DETECTOR LOOP	
	PEDESTRIAN RAMP	
	BUS STOP AND/OR SHELTER	
	HEDGE	

# HALIFAX

---

DRAWING STANDARDS

---

**LEGEND FOR TYPICAL  
PLAN & PROFILE**

DATE:	2021	REFERENCE
SCALE:	NTS	APPROVED
		FIG No.:
		<b>DS 22</b>

## PLAN LEGEND

EXISTING		RECORD
	SURVEY CONTROL POINT	
	FIRE HYDRANT	
	UTILITY POLE AND GUY WIRE	
	SIGN POST/BASE	
	FENCE	
	GUIDERAIL	
	RETAINING WALL	
	CONCRETE CURB	
	PROPERTY LINE	
	BASELINE	
	SEWER MANHOLES	
	CATCHBASIN	
	GAS MAIN	
	CONCRETE SURFACE	
	ASPHALT SURFACE	
	EDGE OF GRAVEL SURFACE	
	WATERMAIN	
	TREE	
	DETECTOR LOOP	
	PEDESTRIAN RAMP	
	BUS STOP AND/OR SHELTER	
	HEDGE	

# HALIFAX

DRAWING STANDARDS

**LEGEND FOR TYPICAL  
RECORD DRAWING**

DATE:	REFERENCE	APPROVED
2021		
SCALE:		FIG No.:
NTS		DS 23

## NOTES

1. PLAN VALUES ARE BASED ON THE NOVA SCOTIA COORDINATE REFERENCING SYSTEM.
2. ALL WORK IS TO BE DONE IN ACCORDANCE WITH HRM CONTRACT DOCUMENTS.
3. GRADES SHOWN ARE APPROXIMATE. FINISHED GRADE IS TO BE APPROVED IN THE FIELD BY THE ENGINEER.
4. UTILITY INFORMATION IS APPROXIMATE ONLY. CONTRACTOR IS RESPONSIBLE TO ARRANGE FOR ON SITE LOCATES WITH ALL UTILITIES PRIOR TO START OF WORK. CONTACT [www.info-ex.com](http://www.info-ex.com) AND OTHERS AS REQUIRED.
5. CONTRACTOR TO OBTAIN ALL NECESSARY PERMITS REQUIRED TO PERFORM WORK AND TO COMPLY WITH ALL APPLICABLE ENVIRONMENTAL REGULATIONS.
6. WHERE EXISTING CONDITIONS ARE SHOWN THEY ARE NOT NECESSARILY ACCURATE OR COMPLETE. THE CONTRACTOR SHALL CONFIRM ALL EXISTING DIMENSIONS AND LOCATIONS AND REPORT ANY DISCREPANCIES TO THE ENGINEER.
7. THE CONTRACTOR SHALL CHECK AND VERIFY ALL PROPOSED DIMENSIONS BEFORE PROCEEDING WITH CONSTRUCTION. ANY ADJUSTMENTS WILL BE MADE BY THE ENGINEER AS NECESSARY.
8. CONTRACTOR IS RESPONSIBLE FOR SETTING GRADES AND LAYOUT CONTROL.
9. TRAFFIC SIGNS ARE NOT TO BE REMOVED OR REPLACED WITHOUT AUTHORIZATION FROM THE TRAFFIC AUTHORITY AND THE ENGINEER.
10. THE CONTRACTOR IS RESPONSIBLE FOR PROTECTION OF TREES. TREES ARE NOT TO BE REMOVED WITHOUT PERMISSION FROM THE ENGINEER.
11. WORK IN THE IMMEDIATE AREA OF A NOVA SCOTIA COORDINATE MONUMENT MUST BE CARRIED OUT BY HAND. THE CONTRACTOR IS RESPONSIBLE FOR ANY COSTS IF MONUMENTS ARE DISTURBED.
12. AT COMPLETION OF WORK REINSTATE ALL DISTURBED SURFACES TO THE SATISFACTION OF THE ENGINEER.
13. WATER VALVE BOX EXTENSIONS – THE MINIMUM INSIDE DIAMETER OF A VALVE BOX EXTENSION SHALL BE 125 mm AND THE MINIMUM LENGTH OF A VALVE BOX EXTENSION SHALL BE 300 mm. CONTRACTOR TO CONFIRM APPROPRIATE PRODUCT TO BE USED WITH HALIFAX WATER OPERATIONS DEPARTMENT STAFF.
14. ALL NEW PEDESTRIAN RAMPS TO INCLUDE TACTILE WALKING SURFACE INDICATOR PLATES AS PER HRM DETAIL 131 UNLESS OTHERWISE NOTED.

# HALIFAX

DRAWING STANDARDS

**NOTES FOR  
TYPICAL PLAN & PROFILE**

DATE:	REFERENCE	APPROVED
2021		
SCALE:		FIG No.:
NTS		DS 24

## LINETYPES FOUND IN THE PROTOTYPE DRAWING

<u>LAYER</u>	<u>LINETYPE NAME</u>	<u>DESCRIPTION</u>
HE-ROAD	RRRD	ROAD (UNCURBED)
	RRCB	ROAD CURBED (FACE OF CURB)
HE-SIDEWALK	RRSW	SIDEWALK
HE-DRIVEWAY	RRDR	DRIVEWAY
	RRPA	PARKING AREA (ASPHALT)
	RRWK	HARD SURFACED WALKWAY
HE-FENCE	STFE	— X — X — X — X — X — FENCE
	STGR	— GR — GR — GR — GR — GUIDE RAIL
	STRW	— RW — RW — RW — RW — RETAINING WALL
	STWL	— W — W — W — W — W — WALL
HE-HYDRO	WADI	- - - - - DITCH
	WALA	————— LAKE AREA
HE-STRUCTURE	STST	————— STEPS
	STDK	————— DECK
HE-WATER	WATER	— . . . — . . . — . . . — . . . — WATER MAIN
HE-COMBINED	SWFMCO	— FM CO — FM CO — SEWER FORCE MAIN COMBINED
	SWPICO	— C — C — SEWER PIPE COMBINED
HE-SANITARY	SWPISA	————— SEWER PIPE SANITARY
	SWFMSA	— FM SA — FM SA — SEWER FORCE MAIN SANITARY
HE-STORM	SWPICL	————— CATSHBASIN LEAD
	SWCU	- - - - - CULVERT
	SWFMST	— FM ST — FM ST — SEWER FORCE MAIN STORM
	SWPIST	————— SEWER PIPE STORM
HE-BUILDING	BLDG	————— BUILDING OUTLINE
HE-TREE LINE	LCHG	— H — H — H — H — H — HEDGE
HE-TRAFFIC	TFCDTL	— SL — SL — SL — SL — SL — STREET LIGHT CONDUIT
	TFCD	— T — T — T — T — T — TRAFFIC CONDUIT
	TFDL	————— TRAFFIC DETECTOR LOOP
HE-UTILITY	UTGW	————— GUY WIRE
	UTCDTL	— TD — TD — TD — TD — TD — TELECOMMUNICATIONS CONDUIT
	UTCDPW	— ET — ET — ET — ET — ET — ELECTRICAL CONDUIT
HE-GAS	GSPI	— G — G — G — G — G — GAS MAIN
	GS LA	————— GAS LATERAL

NOTE:  
FOR COMPLETE LIST OF LINETYPES  
AND LAYERS SEE HRMLINES.LIN.

# HALIFAX

DRAWING STANDARDS

**LINETYPES FOR TYPICAL  
PLAN & PROFILE**

DATE:	2021	REFERENCE	APPROVED
SCALE:	NTS		FIG No.: <b>DS 25</b>